



US00D450137B1

(12) **United States Design Patent** (10) **Patent No.:** **US D450,137 S**  
**Gardner** (45) **Date of Patent:** **\*\* \*Nov. 6, 2001**

(54) **EXTRUDED PLASTIC WINDOW OUTSIDE MOUNT SHUTTER FRAME MOLDING**

5,894,706 \* 4/1999 Herbst ..... 160/371

\* cited by examiner

(75) **Inventor:** **Larry S. Gardner, Hoover, AL (US)**

*Primary Examiner*—Doris Clark

(73) **Assignee:** **Alabama Venetian Blind Co., Birmingham, AL (US)**

(74) *Attorney, Agent, or Firm*—Robert J. Veal

(\* ) **Notice:** This patent is subject to a terminal disclaimer.

(57) **CLAIM**

The ornamental design for an extruded plastic window outside mount shutter frame molding, as shown and described.

(\*\*) **Term:** **14 Years**

**DESCRIPTION**

(21) **Appl. No.:** **29/134,917**

FIG. 1 is a perspective view of an extruded plastic window outside mount shutter frame molding showing my new design;

(22) **Filed:** **Dec. 29, 2000**

FIG. 2 is an end view of the extruded plastic window outside mount shutter frame molding;

(51) **LOC (7) Cl.** ..... **25-01**

(52) **U.S. Cl.** ..... **D25/136**

(58) **Field of Search** ..... 160/104, 371, 160/377, 236; 49/82.1, 74.1; 52/656.7, 473, 202; D25/47, 49, 136, 60, 119

FIG. 3 is a top view of the extruded plastic window outside mount shutter frame molding;

FIG. 4 is a frontal view of the extruded plastic window outside mount shutter frame molding;

(56) **References Cited**

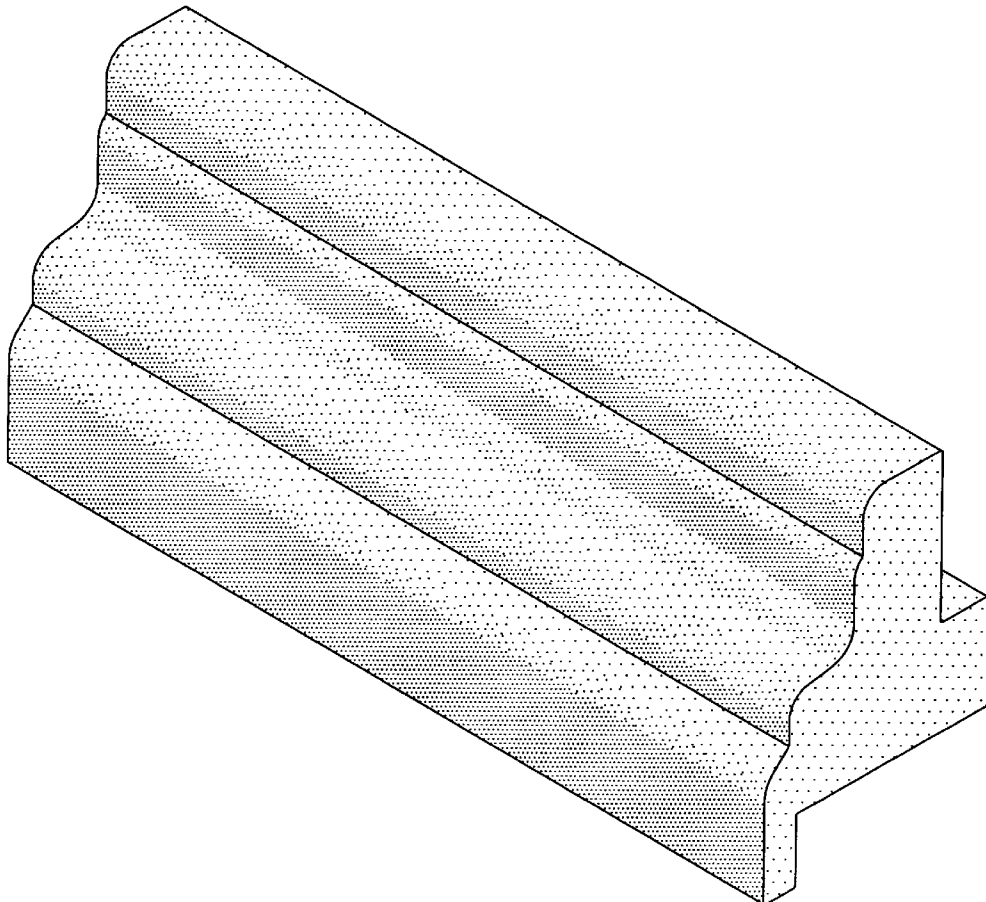
**U.S. PATENT DOCUMENTS**

D. 366,123	*	1/1996	Swopes	.....	D25/136
3,324,785	*	6/1967	Underdahl	.....	49/74.1
5,379,551	*	1/1995	Swapp	.....	49/82.1

FIG. 5 is a bottom view of the extruded plastic window outside mount shutter frame molding; and,

FIG. 6 is a rear view of the extruded plastic window outside mount shutter frame molding.

**1 Claim, 6 Drawing Sheets**



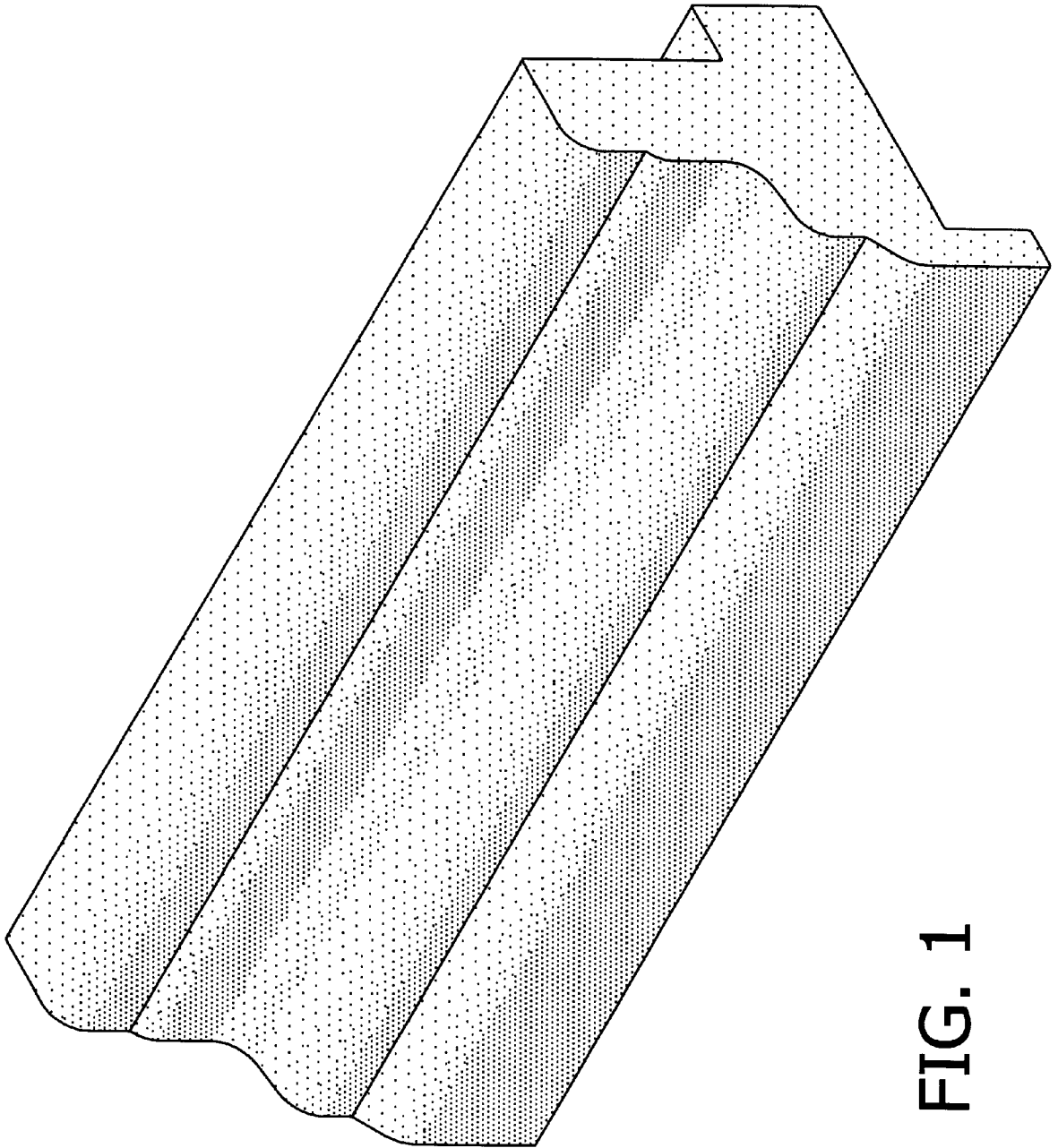


FIG. 1

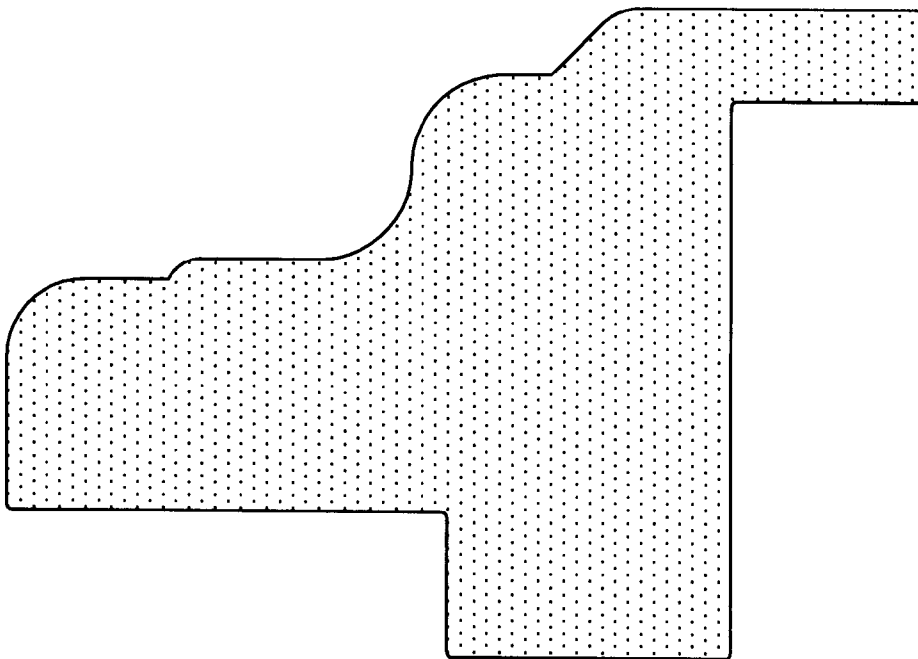


FIG. 2

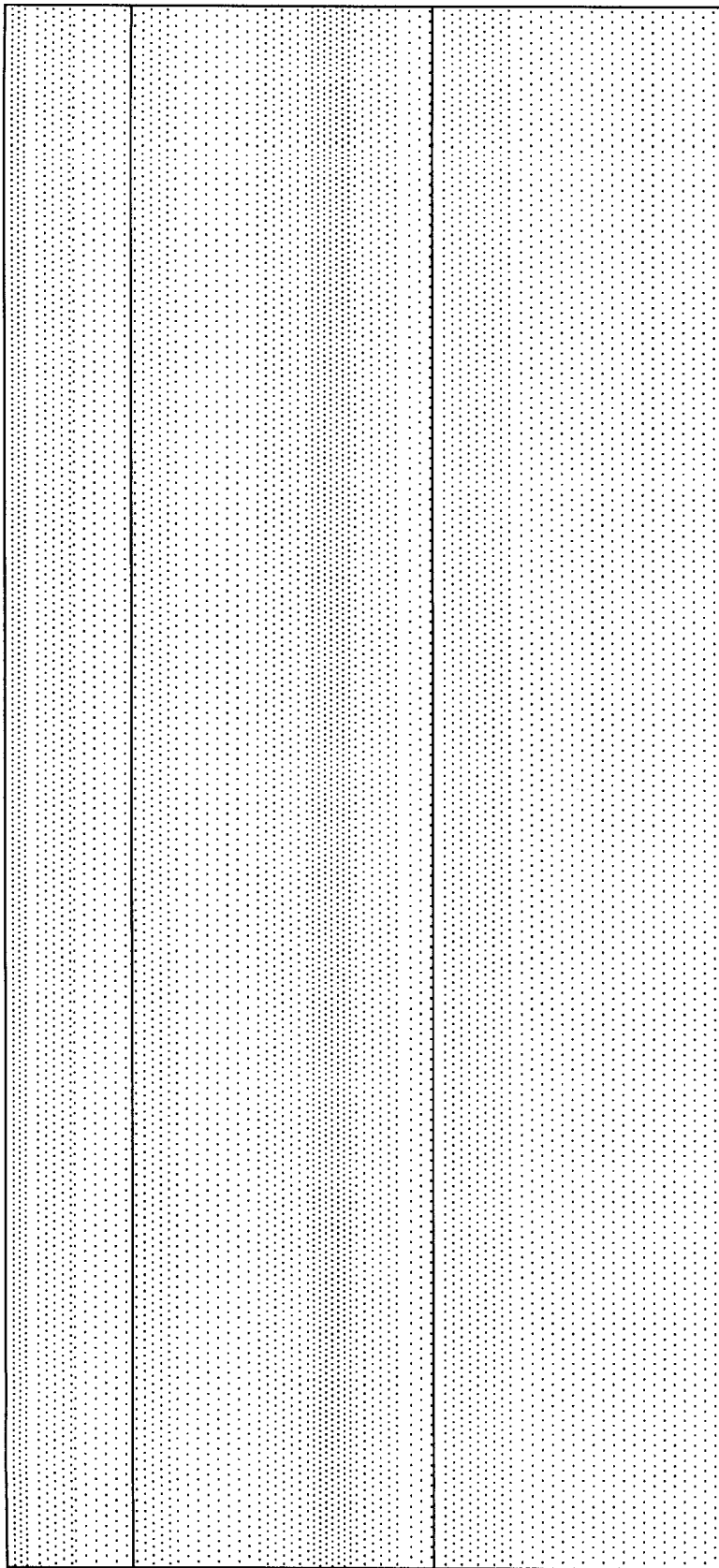


FIG. 3

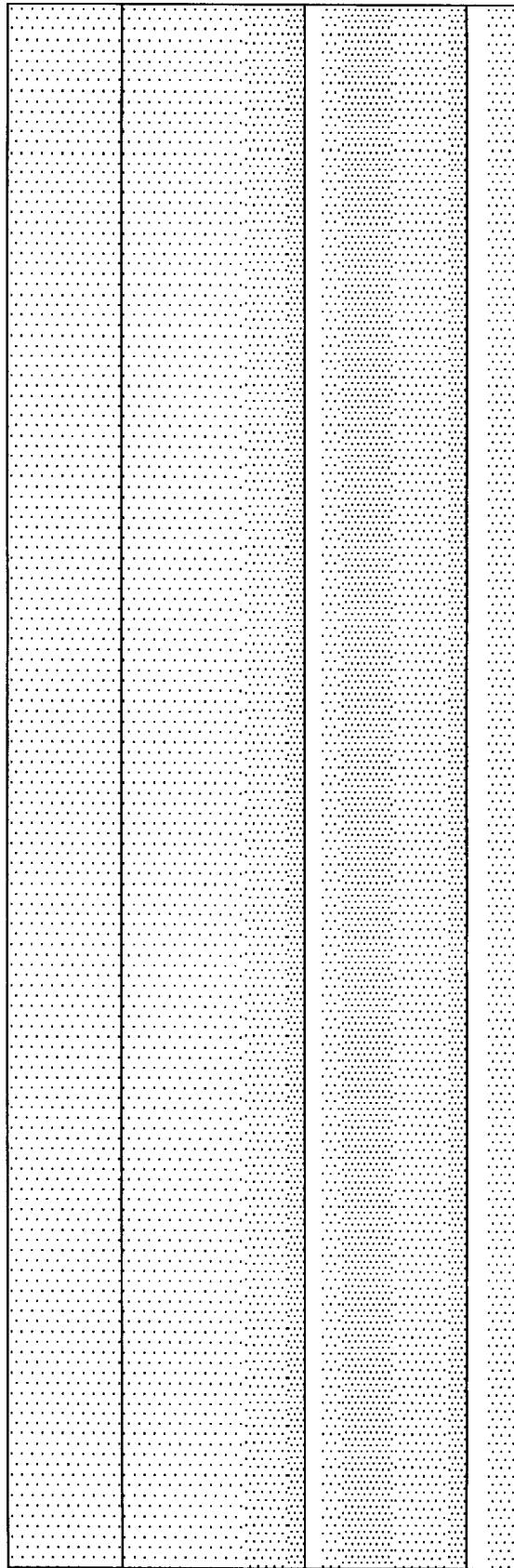


FIG. 4

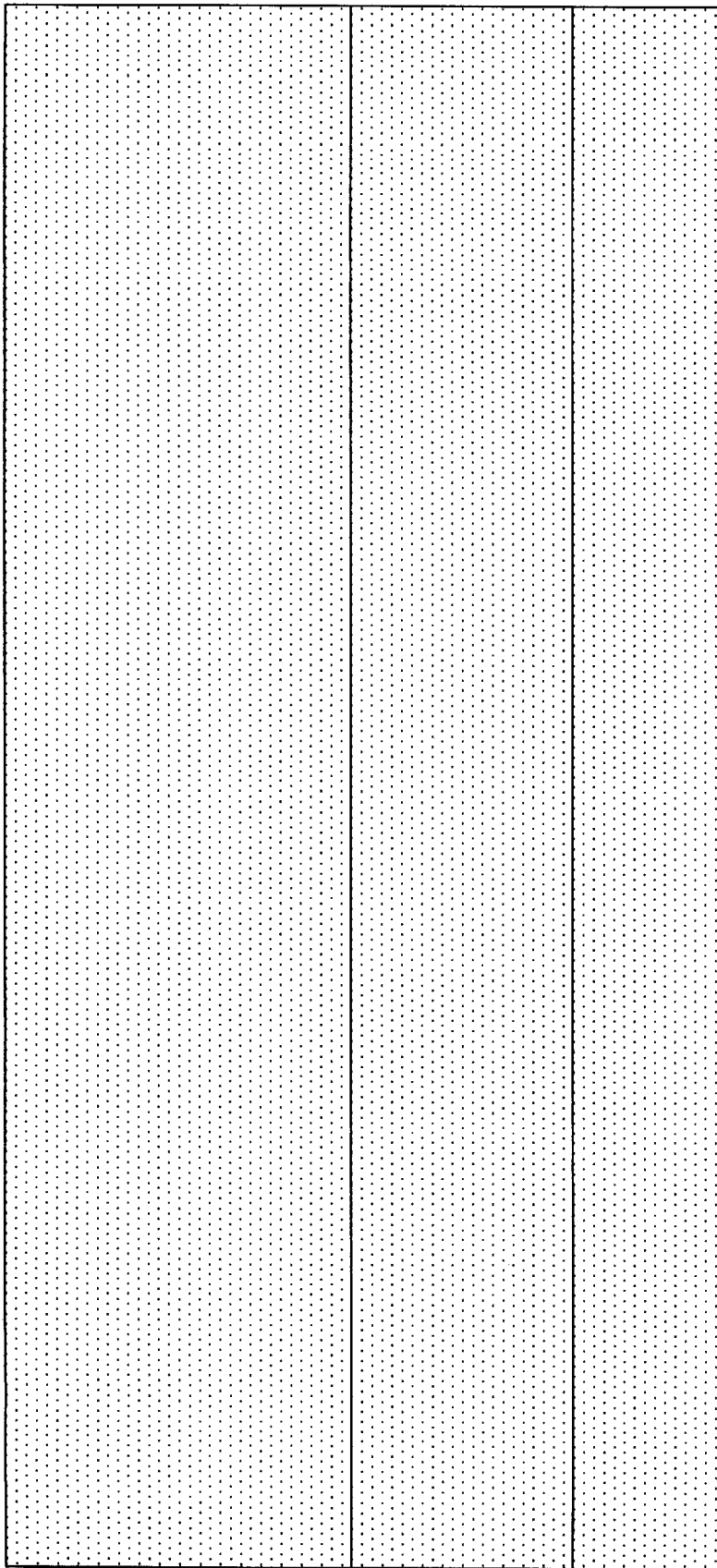


FIG. 5

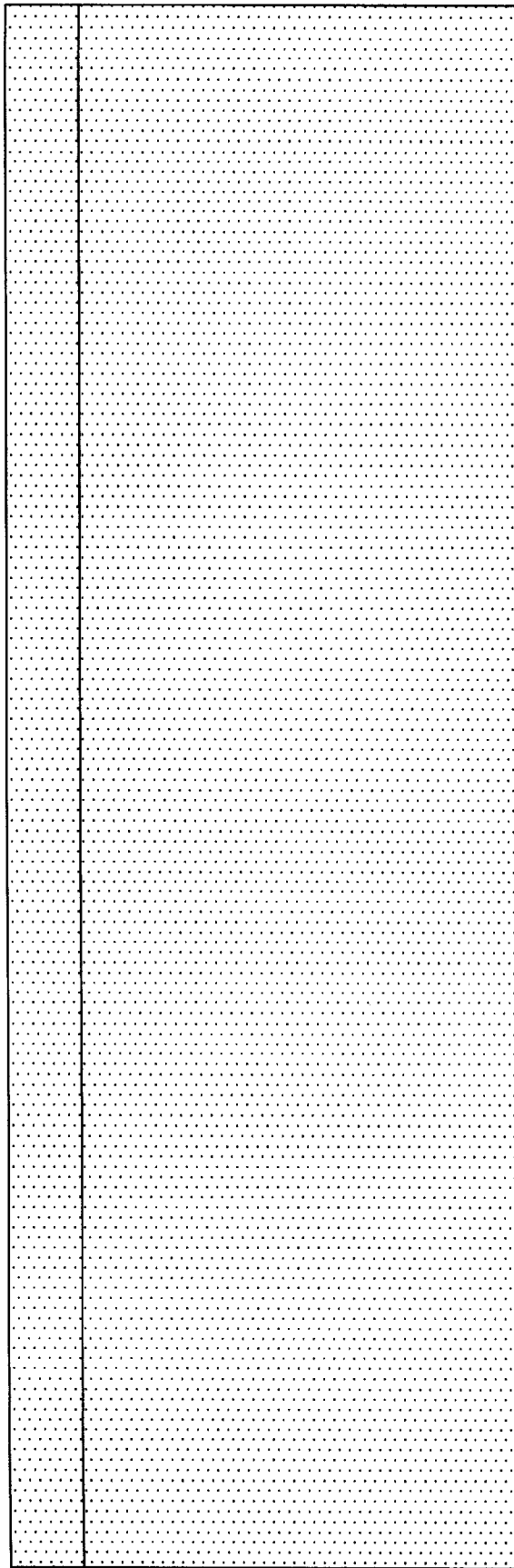


FIG. 6