



US00D719787S

(12) **United States Design Patent**
Seegars et al.

(10) **Patent No.:** **US D719,787 S**

(45) **Date of Patent:** **** Dec. 23, 2014**

- (54) **OYSTER TABLE**
- (71) Applicants: **Benjamin Weston Seegars**, Goldsboro, NC (US); **Neal Weston Seegars**, Goldsboro, NC (US)
- (72) Inventors: **Benjamin Weston Seegars**, Goldsboro, NC (US); **Neal Weston Seegars**, Goldsboro, NC (US)
- (73) Assignee: **Southern Wildlife Company, LLC**, Goldsboro, NC (US)

(**) Term: **14 Years**

(21) Appl. No.: **29/444,871**

(22) Filed: **Feb. 5, 2013**

(51) **LOC (10) Cl.** **07-01**

(52) **U.S. Cl.**
USPC **D7/553.6**

(58) **Field of Classification Search**
USPC D6/677, 677.3, 685-686, 692, 707, D6/707.2; D7/368, 398, 546, 550.1, 552.2, D7/553.1, 553.6, 553.8, 602, 667; 108/25, 108/26; 220/574, 574.2; 211/126.1
See application file for complete search history.

(56) **References Cited**

U.S. PATENT DOCUMENTS

1,119,255	A *	12/1914	Durkin	209/397
1,579,823	A	4/1926	Langguth	
2,034,478	A *	3/1936	Levy	62/457.6
4,747,352	A	5/1988	Guidry et al.	
5,572,934	A	11/1996	Aldridge et al.	
5,913,269	A *	6/1999	Franssen et al.	108/25
D419,334	S	1/2000	Talbot et al.	
6,321,662	B1 *	11/2001	Fraise	108/25
D486,991	S *	2/2004	Lee	D7/357
6,745,702	B2	6/2004	Goldberg et al.	
6,802,263	B1	10/2004	Kolb	
6,880,470	B2	4/2005	Sidor et al.	

D527,224	S *	8/2006	Roth et al.	D7/540
7,191,712	B2	3/2007	Goldberg et al.	
D546,127	S *	7/2007	Vovan	D7/552.2
7,290,490	B2	11/2007	Goldberg et al.	
D568,112	S *	5/2008	Epstein	D7/554.2
D597,261	S *	7/2009	Dye et al.	D30/123
D603,633	S *	11/2009	Davis	D6/511
D605,470	S *	12/2009	Sluiman	D7/553.6
D624,354	S *	9/2010	Odeh	D7/359
D632,129	S *	2/2011	Chen	D7/356
7,934,449	B2 *	5/2011	Anderson et al.	99/426
8,342,128	B2 *	1/2013	Rocker	119/61.2
D682,037	S *	5/2013	Cloutier	D7/554.2
D691,857	S *	10/2013	Muspratt-Williams et al.	D7/553.6
D698,940	S *	2/2014	Pribenszky	D24/224
D700,478	S *	3/2014	Simmons	D7/553.8
2007/0056482	A1	3/2007	Robinson et al.	
2007/0125279	A1	6/2007	Fryoux et al.	
2008/0041278	A1	2/2008	Goldberg et al.	
2008/0127417	A1	6/2008	Harty	
2010/0236453	A1	9/2010	Vegas	

* cited by examiner

Primary Examiner — Kelley Donnelly

(74) *Attorney, Agent, or Firm* — Withrow & Terranova, PLLC

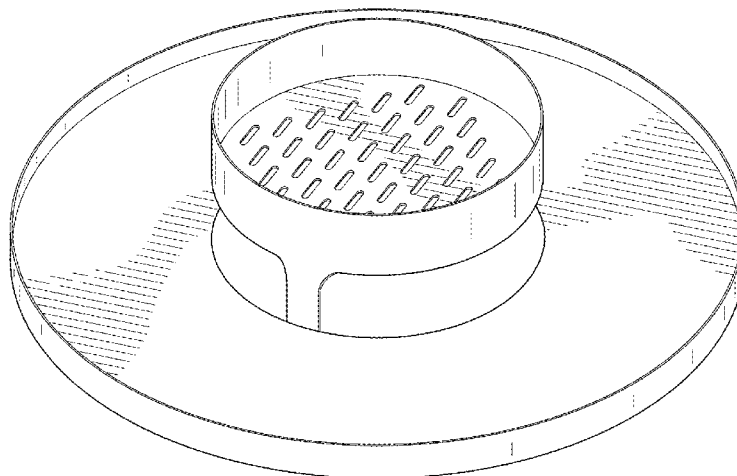
(57) **CLAIM**

The ornamental design for an oyster table, as shown and described.

DESCRIPTION

FIG. 1 is a top perspective view of an exemplary oyster table; FIG. 2 is a bottom perspective view of the oyster table of FIG. 1; FIG. 3 is a top view of the oyster table of FIG. 1; FIG. 4 is a bottom view of the oyster table of FIG. 1; FIG. 5 is a front side view of the oyster table of FIG. 1; FIG. 6 is a rear side view of the oyster table of FIG. 1; FIG. 7 is a right side view of the oyster table of FIG. 1; and FIG. 8 is a left side view of the oyster table of FIG. 1.

1 Claim, 6 Drawing Sheets



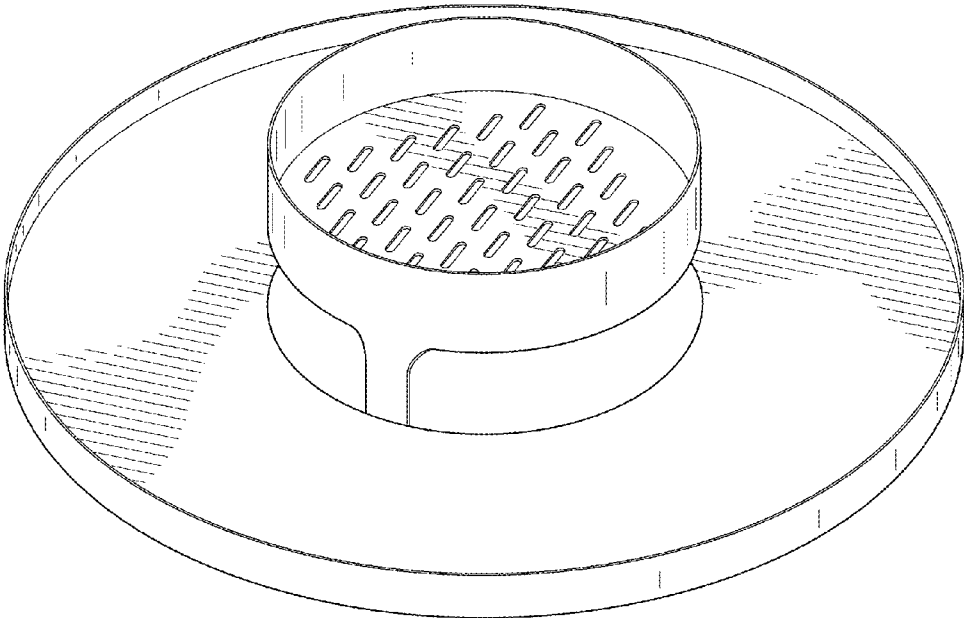


FIG. 1

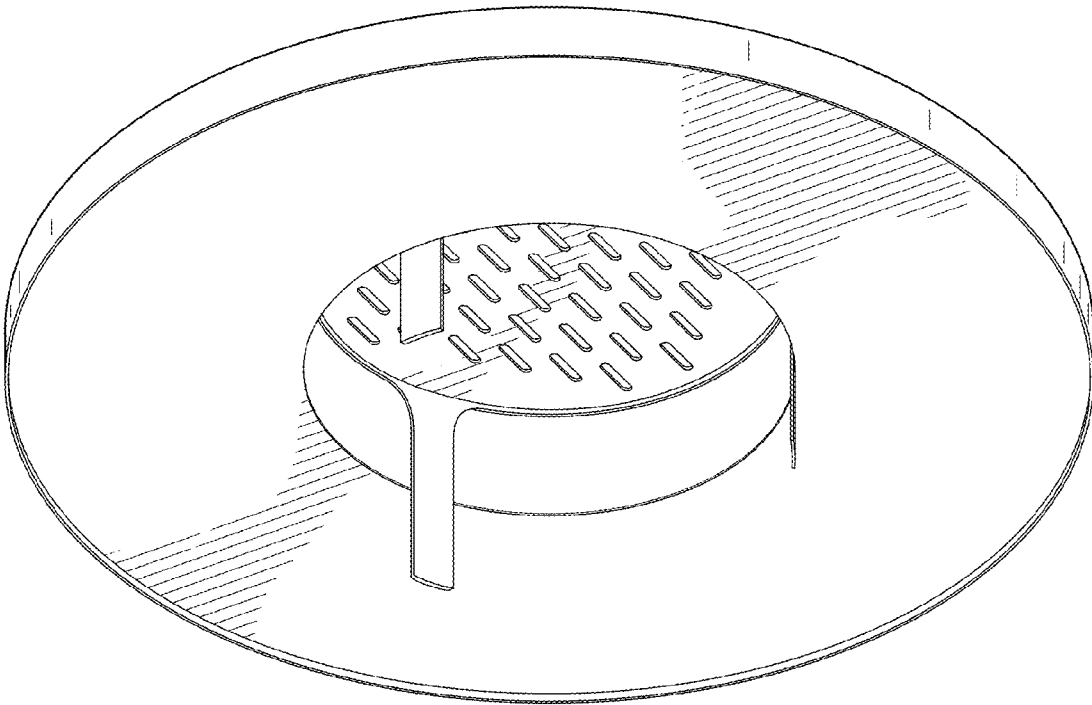


FIG. 2

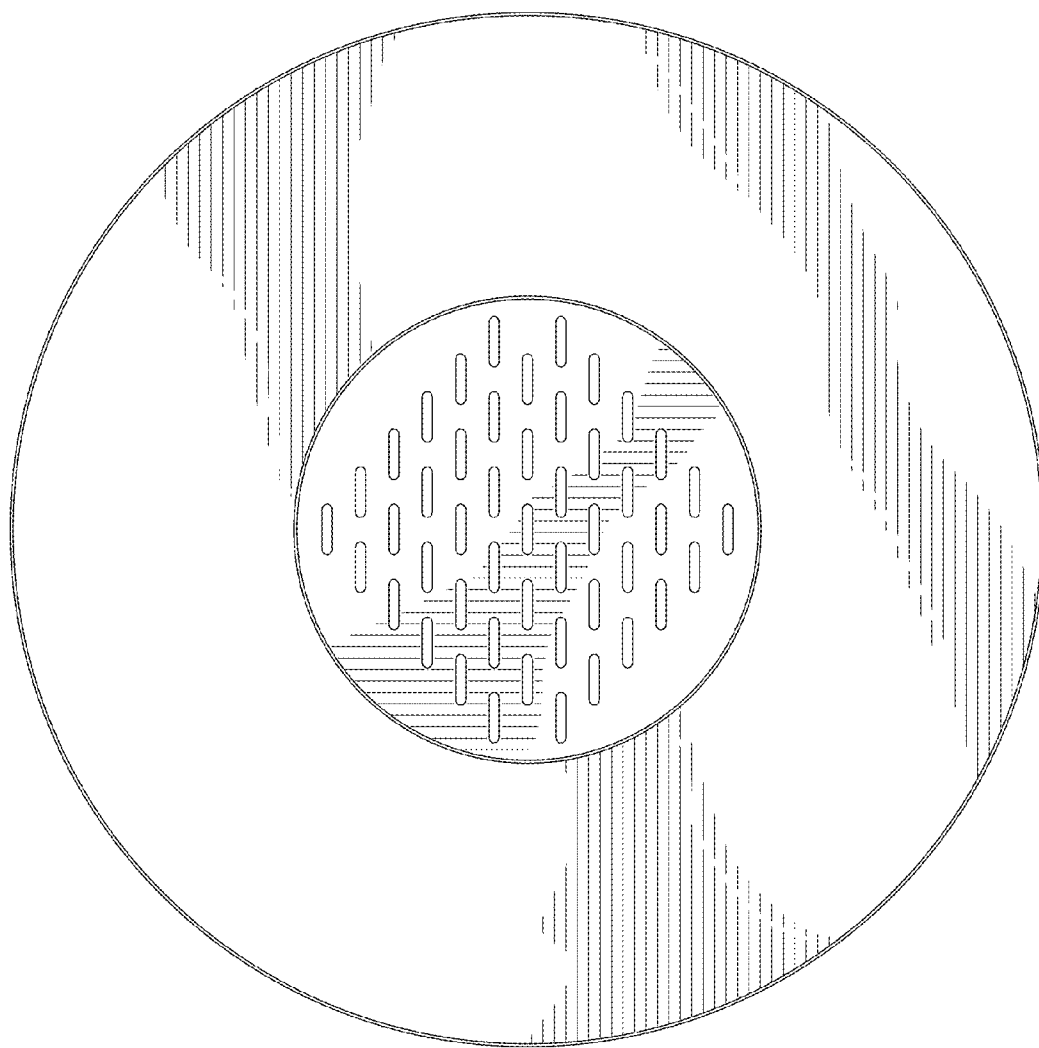


FIG. 3

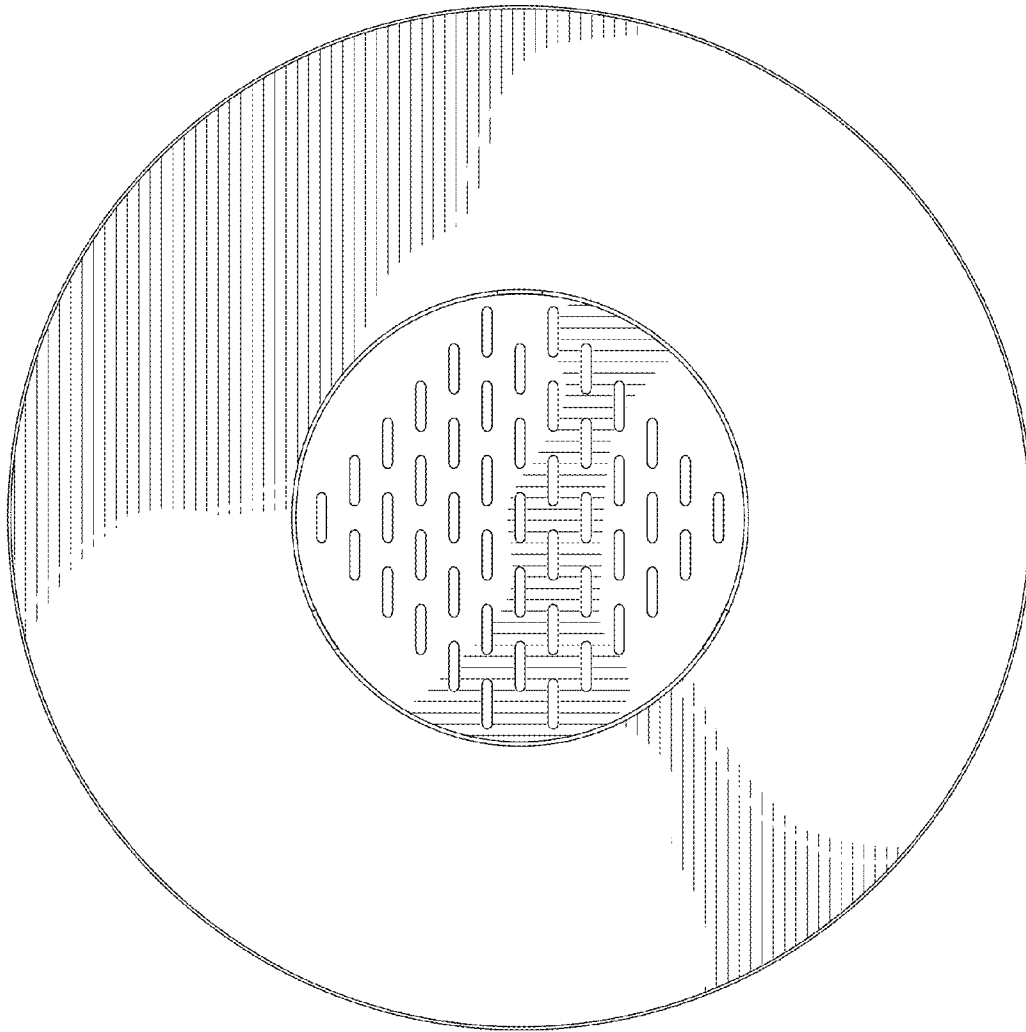


FIG. 4

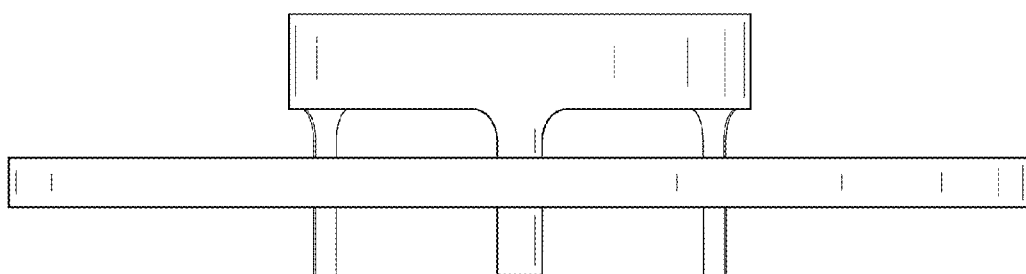


FIG. 5

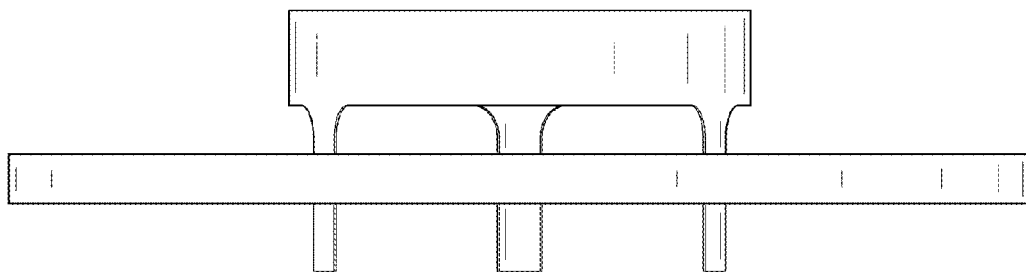


FIG. 6

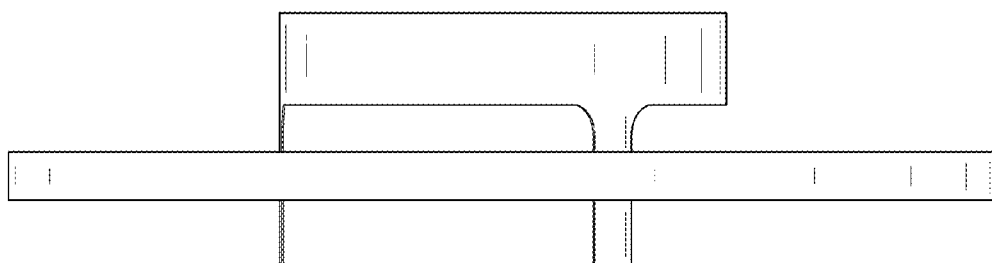


FIG. 7

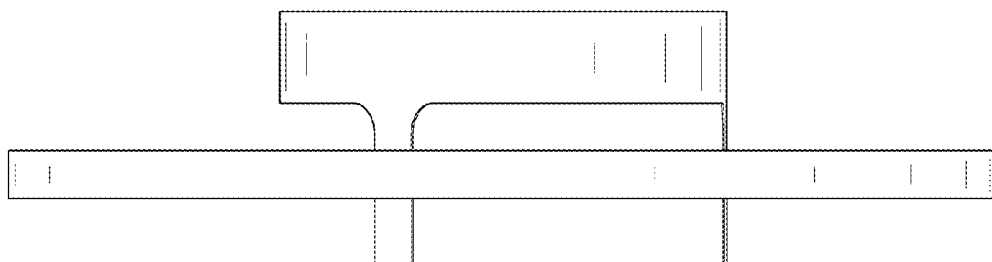


FIG. 8