

(19) World Intellectual Property Organization
International Bureau



(43) International Publication Date
5 October 2006 (05.10.2006)

PCT

(10) International Publication Number
WO 2006/103479 A3

- (51) International Patent Classification:
B65D 90/04 (2006.01)
- (21) International Application Number:
PCT/GB2006/050069
- (22) International Filing Date: 30 March 2006 (30.03.2006)
- (25) Filing Language: English
- (26) Publication Language: English
- (30) Priority Data:
0506498.5 31 March 2005 (31.03.2005) GB
0522817.6 9 November 2005 (09.11.2005) GB
- (71) Applicants and
- (72) Inventors: HARITOU, Christos, Sotirios [GB/GB];
112 Kirkleatham Lane, Redcar Cleveland TS10 5DD (GB).
FADA, Alan [GB/GB]; 25 Saddle back, Washington, Tyne
& Wear NE37 1BU (GB). FADA, Ian, Gimiel [GB/GB];
82 Titian Avenue, Whiteleas, South Shields, Tyne & Wear
NE34 8SB (GB). RHODES, John, Harry [GB/GB]; 78
Clifton Avenue, Hartlepool TS26 9QW (GB).
- (74) Agent: ELSWORTH, Dominic, Stephen; Hargreaves
Elsworth, 6 Charlotte Square, Newcastle-upon-tyne, Tyne
& Wear NE1 4XF (GB).

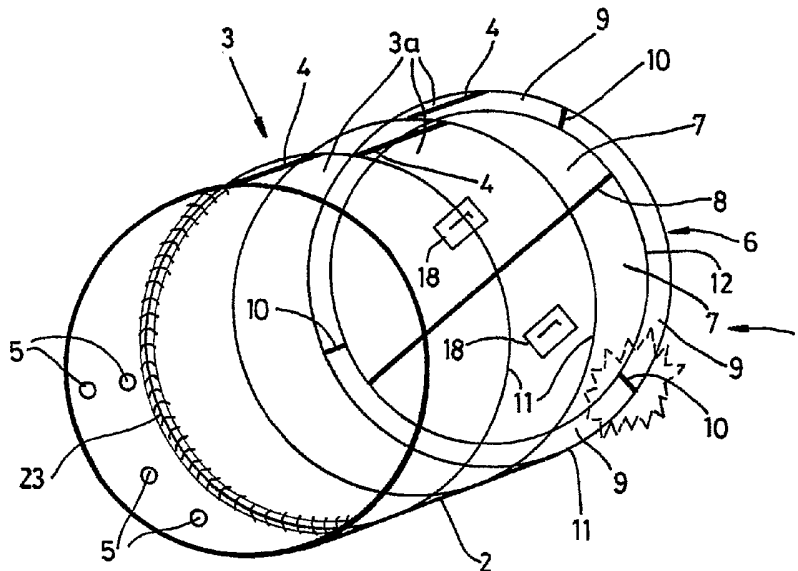
- (81) Designated States (unless otherwise indicated, for every kind of national protection available): AE, AG, AL, AM, AT, AU, AZ, BA, BB, BG, BR, BW, BY, BZ, CA, CH, CN, CO, CR, CU, CZ, DE, DK, DM, DZ, EC, EE, EG, ES, FI, GB, GD, GE, GH, GM, HR, HU, ID, IL, IN, IS, JP, KE, KG, KM, KN, KP, KR, KZ, LC, LK, LR, LS, LT, LU, LV, LY, MA, MD, MG, MK, MN, MW, MX, MZ, NA, NG, NI, NO, NZ, OM, PG, PH, PL, PT, RO, RU, SC, SD, SE, SG, SK, SL, SM, SY, TJ, TM, TN, TR, TT, TZ, UA, UG, US, UZ, VC, VN, YU, ZA, ZM, ZW.
- (84) Designated States (unless otherwise indicated, for every kind of regional protection available): ARIPO (BW, GH, GM, KE, LS, MW, MZ, NA, SD, SL, SZ, TZ, UG, ZM, ZW), Eurasian (AM, AZ, BY, KG, KZ, MD, RU, TJ, TM), European (AT, BE, BG, CH, CY, CZ, DE, DK, EE, ES, FI, FR, GB, GR, HU, IE, IS, IT, LT, LU, LV, MC, NL, PL, PT, RO, SE, SI, SK, TR), OAPI (BF, BJ, CF, CG, CI, CM, GA, GN, GQ, GW, ML, MR, NE, SN, TD, TG).

Published:

- with international search report
- before the expiration of the time limit for amending the claims and to be republished in the event of receipt of amendments

[Continued on next page]

(54) Title: FLUID IMPERVIOUS LINING



(57) Abstract: A wall lining apparatus comprises a wall and at least one sheet of semi-rigid impervious material, wherein the at least one sheet of semi-rigid fluid impervious material is located to one side of the wall, and an interstitial space exists between opposing faces of said wall and said sheet of semi-rigid fluid impervious material. One embodiment of the apparatus comprises at least one sheet of semi-rigid fluid impervious material and three-dimensionally shaped components of the same fluid impervious material, the or each sheet and the shaped components being attached to each other.

WO 2006/103479 A3



(88) Date of publication of the international search report:

23 November 2006

For two-letter codes and other abbreviations, refer to the "Guidance Notes on Codes and Abbreviations" appearing at the beginning of each regular issue of the PCT Gazette.

INTERNATIONAL SEARCH REPORT

International application No
PCT/GB2006/050069

A. CLASSIFICATION OF SUBJECT MATTER INV. B65D90/04				
According to International Patent Classification (IPC) or to both national classification and IPC				
B. FIELDS SEARCHED				
Minimum documentation searched (classification system followed by classification symbols) B65D F16L				
Documentation searched other than minimum documentation to the extent that such documents are included in the fields searched				
Electronic data base consulted during the international search (name of data base and, where practical, search terms used) EPO-Internal				
C. DOCUMENTS CONSIDERED TO BE RELEVANT				
Category*	Citation of document, with indication, where appropriate, of the relevant passages	Relevant to claim No.		
P,X	GB 2 413 587 A (CHRISTOS SOTIRIOUS * HARITOU; ALAN * FADA; IAN GIMIEL * FADA; JOHN HAR) 2 November 2005 (2005-11-02) page 4, paragraph 2 - page 9, paragraph 1; figures 1-6	1-41		
X Y	DE 18 12 891 A1 (WEISKE,GERHARD) 18 June 1970 (1970-06-18) page 3; figures 1-3	1-4, 13, 14, 17, 41 5, 6, 8, 14-16, 18-22, 24-40		
X	DE 19 79 090 U (BONNER MINERALOEL O.H.G. FERD. WEIMERT & CO) 15 February 1968 (1968-02-15) page 2, line 1 - page 3, line 25; figures 1-3	1-4, 13, 14, 17		
----- -/--				
<input checked="" type="checkbox"/> Further documents are listed in the continuation of Box C.				
<input checked="" type="checkbox"/> See patent family annex.				
* Special categories of cited documents :				
<table style="width:100%; border: none;"> <tr> <td style="width:50%; border: none; vertical-align: top;"> *A* document defining the general state of the art which is not considered to be of particular relevance *E* earlier document but published on or after the international filing date *L* document which may throw doubts on priority claim(s) or which is cited to establish the publication date of another citation or other special reason (as specified) *O* document referring to an oral disclosure, use, exhibition or other means *P* document published prior to the international filing date but later than the priority date claimed </td> <td style="width:50%; border: none; vertical-align: top;"> *T* later document published after the international filing date or priority date and not in conflict with the application but cited to understand the principle or theory underlying the invention *X* document of particular relevance; the claimed invention cannot be considered novel or cannot be considered to involve an inventive step when the document is taken alone *Y* document of particular relevance; the claimed invention cannot be considered to involve an inventive step when the document is combined with one or more other such documents, such combination being obvious to a person skilled in the art. *&* document member of the same patent family </td> </tr> </table>			*A* document defining the general state of the art which is not considered to be of particular relevance *E* earlier document but published on or after the international filing date *L* document which may throw doubts on priority claim(s) or which is cited to establish the publication date of another citation or other special reason (as specified) *O* document referring to an oral disclosure, use, exhibition or other means *P* document published prior to the international filing date but later than the priority date claimed	*T* later document published after the international filing date or priority date and not in conflict with the application but cited to understand the principle or theory underlying the invention *X* document of particular relevance; the claimed invention cannot be considered novel or cannot be considered to involve an inventive step when the document is taken alone *Y* document of particular relevance; the claimed invention cannot be considered to involve an inventive step when the document is combined with one or more other such documents, such combination being obvious to a person skilled in the art. *&* document member of the same patent family
A document defining the general state of the art which is not considered to be of particular relevance *E* earlier document but published on or after the international filing date *L* document which may throw doubts on priority claim(s) or which is cited to establish the publication date of another citation or other special reason (as specified) *O* document referring to an oral disclosure, use, exhibition or other means *P* document published prior to the international filing date but later than the priority date claimed	*T* later document published after the international filing date or priority date and not in conflict with the application but cited to understand the principle or theory underlying the invention *X* document of particular relevance; the claimed invention cannot be considered novel or cannot be considered to involve an inventive step when the document is taken alone *Y* document of particular relevance; the claimed invention cannot be considered to involve an inventive step when the document is combined with one or more other such documents, such combination being obvious to a person skilled in the art. *&* document member of the same patent family			
Date of the actual completion of the international search <p align="center">7 September 2006</p>		Date of mailing of the international search report <p align="center">13/09/2006</p>		
Name and mailing address of the ISA/ European Patent Office, P.B. 5818 Patentlaan 2 NL - 2280 HV Rijswijk Tel. (+31-70) 340-2040, Tx. 31 651 epo nl, Fax: (+31-70) 340-3016		Authorized officer <p align="center">Bevilacqua, Vincenzo</p>		

INTERNATIONAL SEARCH REPORT

International application No
PCT/GB2006/050069

C(Continuation). DOCUMENTS CONSIDERED TO BE RELEVANT

Category*	Citation of document, with indication, where appropriate, of the relevant passages	Relevant to claim No.
X	DE 44 30 080 A1 (SCHMID, GERHARD, 72475 BITZ, DE) 29 February 1996 (1996-02-29) columns 1,2; figure 1 -----	1-4,13, 17
X	US 4 941 589 A (CHEN ET AL) 17 July 1990 (1990-07-17) column 2, line 22 - line 49; figures 1,2 -----	1,2,13, 17
Y	US 5 244 332 A (KREIN ET AL) 14 September 1993 (1993-09-14) column 5, line 1 - line 31 -----	5,6,8, 14-16, 18-22, 24-40
A	DE 19 09 827 A1 (WILHELM REISGIES, CHEM. TECHN. FABRIK) 10 September 1970 (1970-09-10) figures 1,2 -----	5,6

INTERNATIONAL SEARCH REPORT

Information on patent family members

International application No
PCT/GB2006/050069

Patent document cited in search report		Publication date	Patent family member(s)	Publication date
GB 2413587	A	02-11-2005	NONE	
DE 1812891	A1	18-06-1970	CH 478700 A	30-09-1969
DE 1979090	U	15-02-1968	NONE	
DE 4430080	A1	29-02-1996	NONE	
US 4941589	A	17-07-1990	NONE	
US 5244332	A	14-09-1993	NONE	
DE 1909827	A1	10-09-1970	NONE	