



US00D978142S

(12) **United States Design Patent**
Komulainen

(10) **Patent No.:** **US D978,142 S**

(45) **Date of Patent:** **** Feb. 14, 2023**

(54) **WRIST-WORN PHYSICAL ACTIVITY MEASUREMENT APPARATUS**

(71) Applicant: **Polar Electro Oy, Kempele (FI)**

(72) Inventor: **Olli Komulainen, Kempele (FI)**

(73) Assignee: **POLAR ELECTRO OY, Kempele (FI)**

(**) Term: **15 Years**

(21) Appl. No.: **29/737,549**

(22) Filed: **Jun. 10, 2020**

(51) **LOC (14) Cl.** **14-02**

(52) **U.S. Cl.**
USPC **D14/344**

(58) **Field of Classification Search**
USPC ... D14/138 R, 144, 341, 344, 346, 388, 389, D14/390, 496; D10/30-32, 38, 70; D24/167, 186, 187
CPC G04G 17/00; G04G 17/045; G04G 17/08; G04G 17/083; G04G 21/00; G04G 21/02; G04G 21/025; G04G 21/06; G04G 21/08; G04G 99/006; G06F 1/163; A44C 5/0007; A44C 5/0015; A44C 5/0046; A44C 5/0053; A44C 5/2052; A44C 5/2071

See application file for complete search history.

(56) **References Cited**

U.S. PATENT DOCUMENTS

D746,815 S *	1/2016	Lim	D14/344
D746,816 S *	1/2016	Lim	D14/344
D773,458 S *	12/2016	Park	D10/70
D775,973 S *	1/2017	Kamata	D10/38
D795,863 S *	8/2017	Park	D14/344
D818,376 S *	5/2018	Monachon	D10/38
D823,302 S *	7/2018	Yoshimoto	D14/344
D848,284 S *	5/2019	Tonohori	D10/30
D858,311 S *	9/2019	Zhang	D10/30
D860,988 S *	9/2019	Haapakoski	D14/344

D865,543 S *	11/2019	Lumme	D10/70
D868,778 S *	12/2019	Reivo	D14/344
D868,779 S *	12/2019	Reivo	D14/344
D874,955 S *	2/2020	Komulainen	D10/70
D875,555 S *	2/2020	Komulainen	D10/70

(Continued)

OTHER PUBLICATIONS

Polar Grit X, www.amazon.com, Apr. 16, 2020. <https://www.amazon.com/POLAR-Grit-Altimeter-Military-Level-Durability/dp/B0876JGS7F?th=1> (Year: 2020).*

(Continued)

Primary Examiner — Llorellys Martinez

Assistant Examiner — Kwabena A. Ankoibiah

(74) *Attorney, Agent, or Firm* — FisherBroyles, LLP

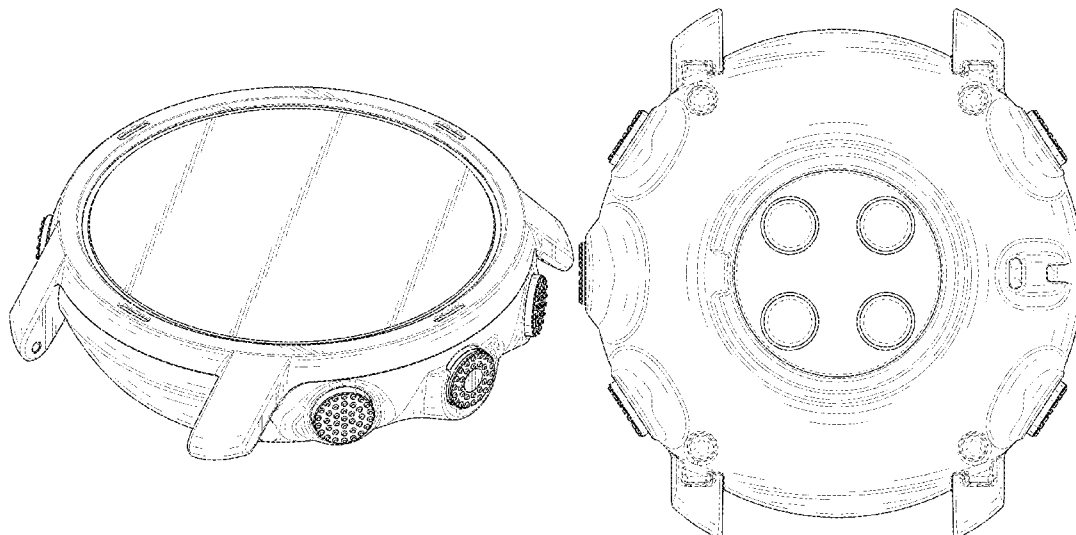
(57) **CLAIM**

The ornamental design for a wrist-worn physical activity measurement apparatus, as shown and described.

DESCRIPTION

FIG. 1 is a top perspective view of the wrist-worn physical activity measurement apparatus;
FIG. 2 is a top plan view of the wrist-worn physical activity measurement apparatus;
FIG. 3 is a first end view of the wrist-worn physical activity measurement apparatus;
FIG. 4 is a first side view of the wrist-worn physical activity measurement apparatus;
FIG. 5 is a second end view of the wrist-worn physical activity measurement apparatus;
FIG. 6 is a second side view of the wrist-worn physical activity measurement apparatus; and,
FIG. 7 is a bottom plan view of the body of the wrist-worn physical activity measurement apparatus.
The broken lines in the drawings illustrate portions of the wrist-worn physical activity measurement apparatus that form no part of the claimed design.

1 Claim, 7 Drawing Sheets



(56)

References Cited

U.S. PATENT DOCUMENTS

D889,458 S * 7/2020 Zheng D14/344
D890,750 S * 7/2020 Reivo D14/344
D897,866 S * 10/2020 Yamamoto D10/30
D940,704 S * 1/2022 Weng D14/344
D944,100 S * 2/2022 Register D10/128
D945,415 S * 3/2022 Chao D14/344
D951,245 S * 5/2022 Chung D14/344
D956,742 S * 7/2022 Choi D14/344
D961,583 S * 8/2022 Chung D14/344
D964,865 S * 9/2022 Huang D10/32
2018/0259914 A1 * 9/2018 Chae G04G 17/04
2022/0146985 A1 * 5/2022 Wu G06F 1/1637
2022/0221825 A1 * 7/2022 Roush G04G 9/0035

OTHER PUBLICATIONS

Polar Grit X Outdoor GPS Sportswatch, www.youtube.com, Apr. 22, 2020. <https://www.youtube.com/watch?v=nzuSLjvabrQ> (Year: 2020).*

* cited by examiner

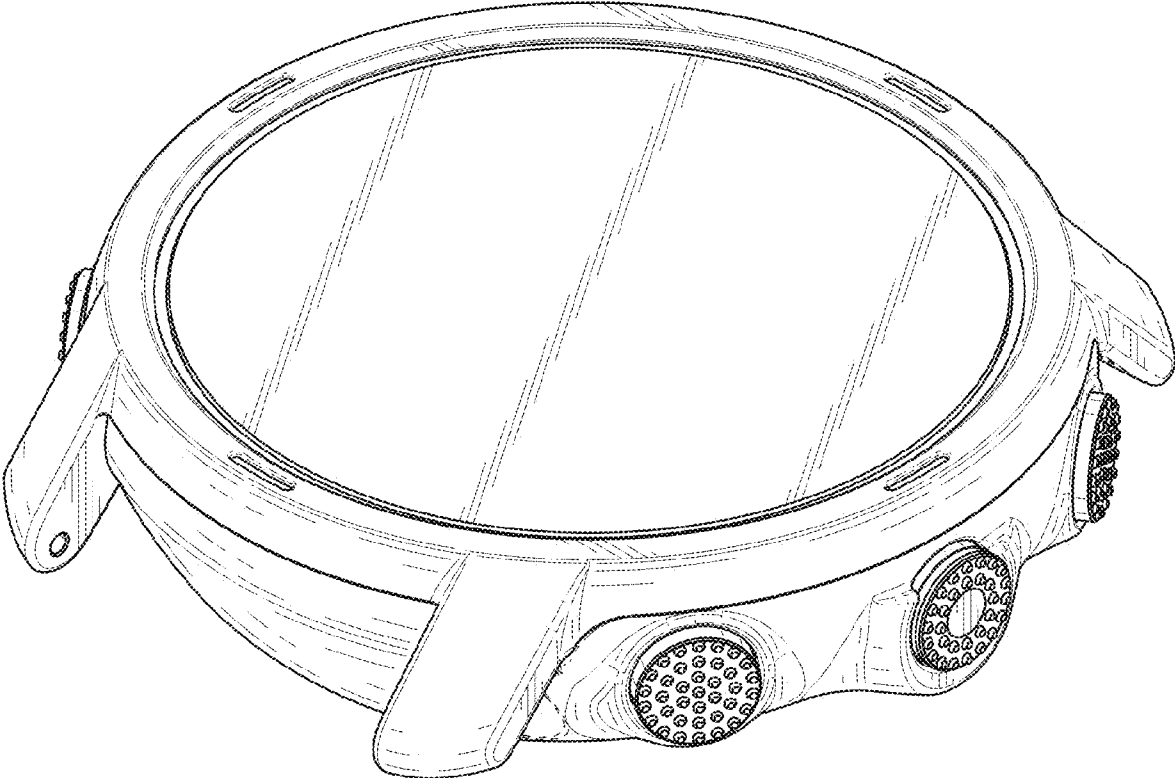


FIG. 1

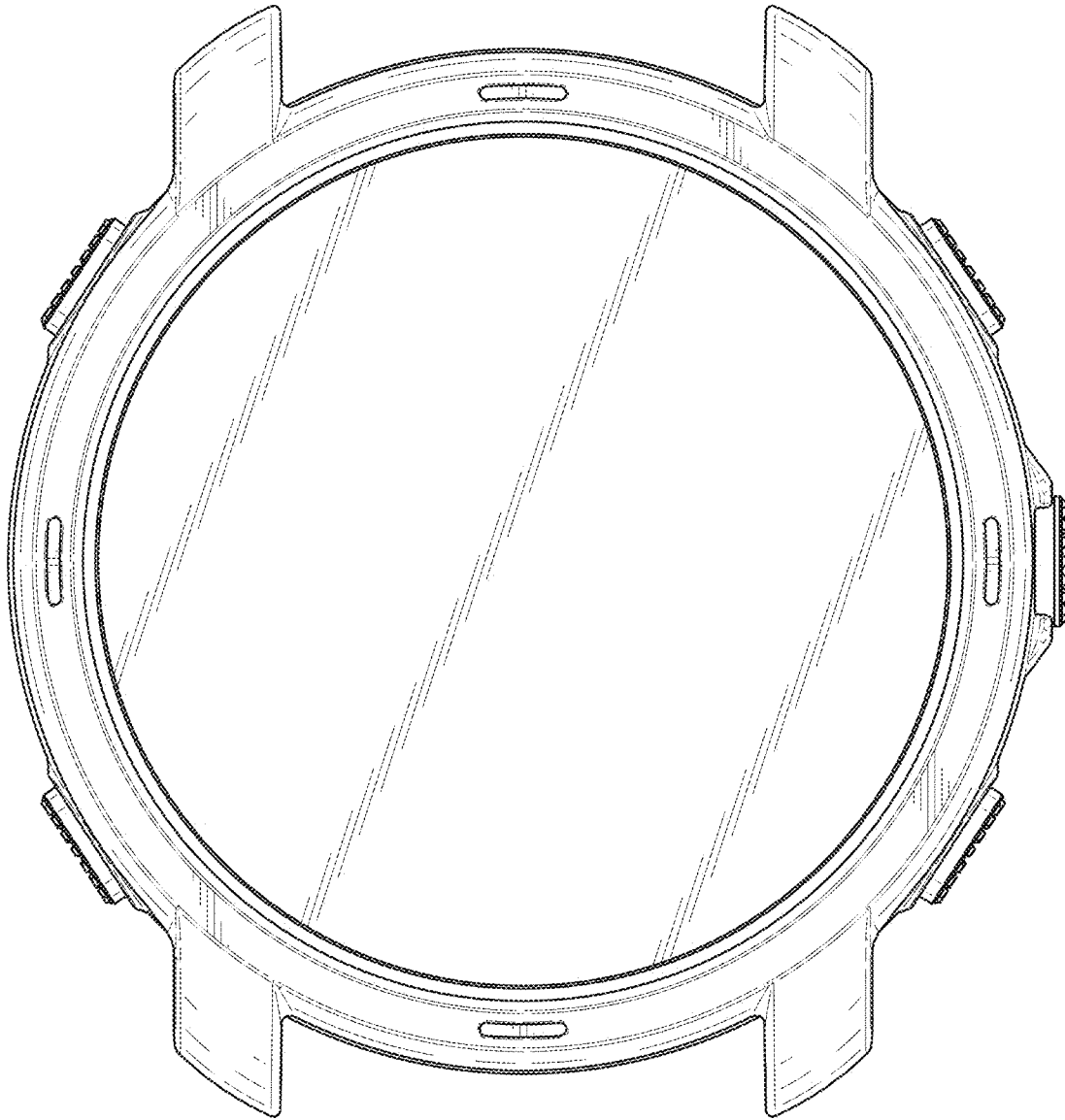


FIG. 2

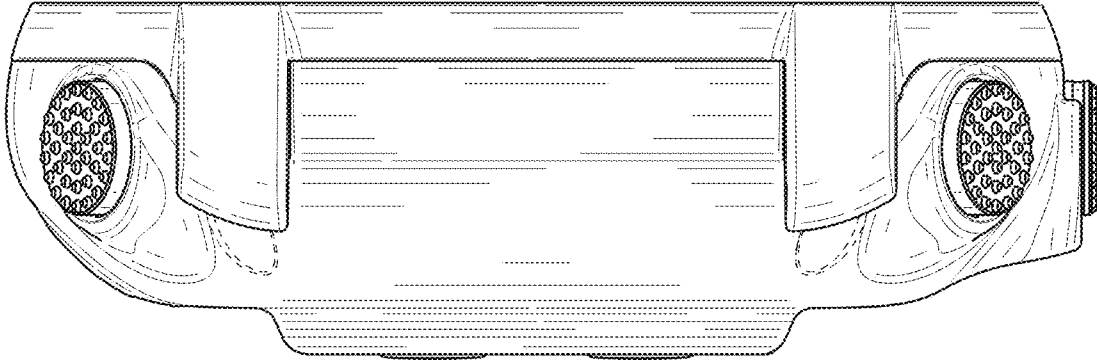


FIG. 3

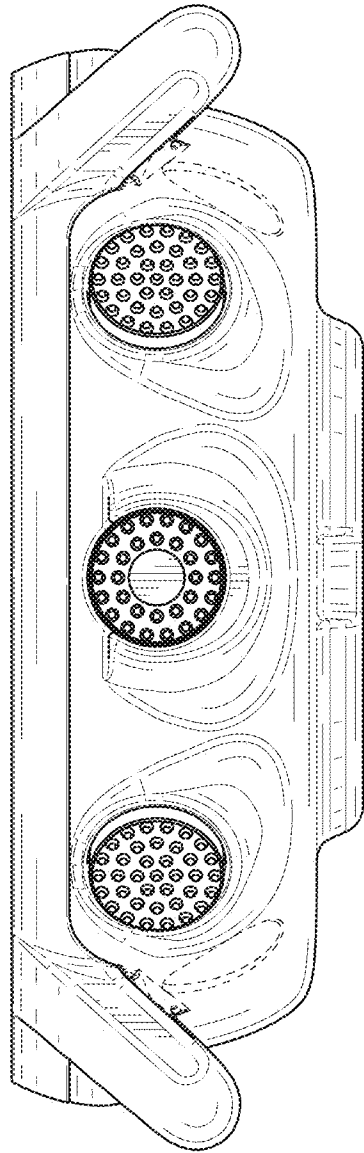


FIG. 4

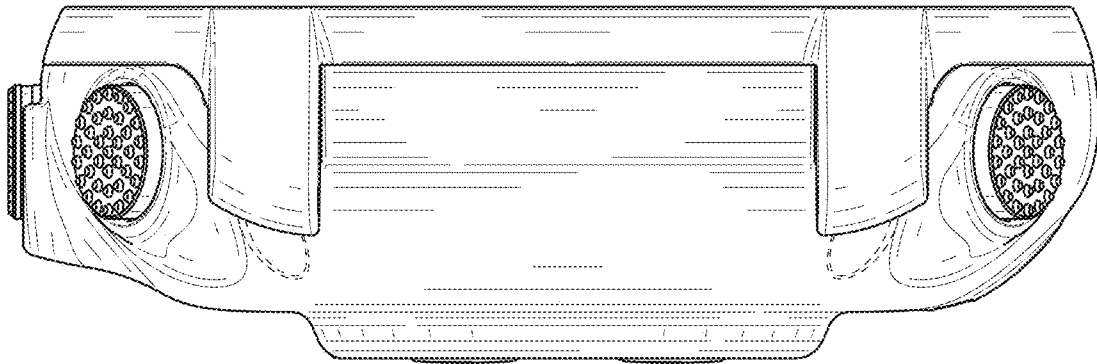


FIG. 5

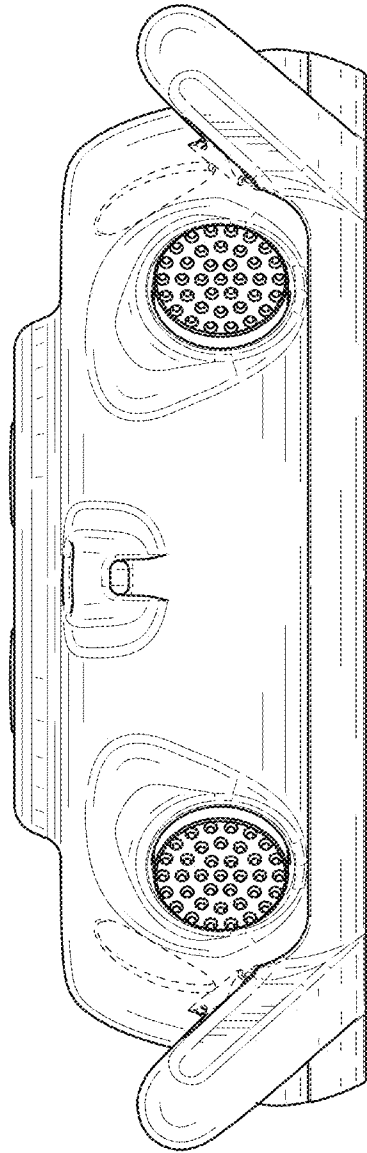


FIG. 6

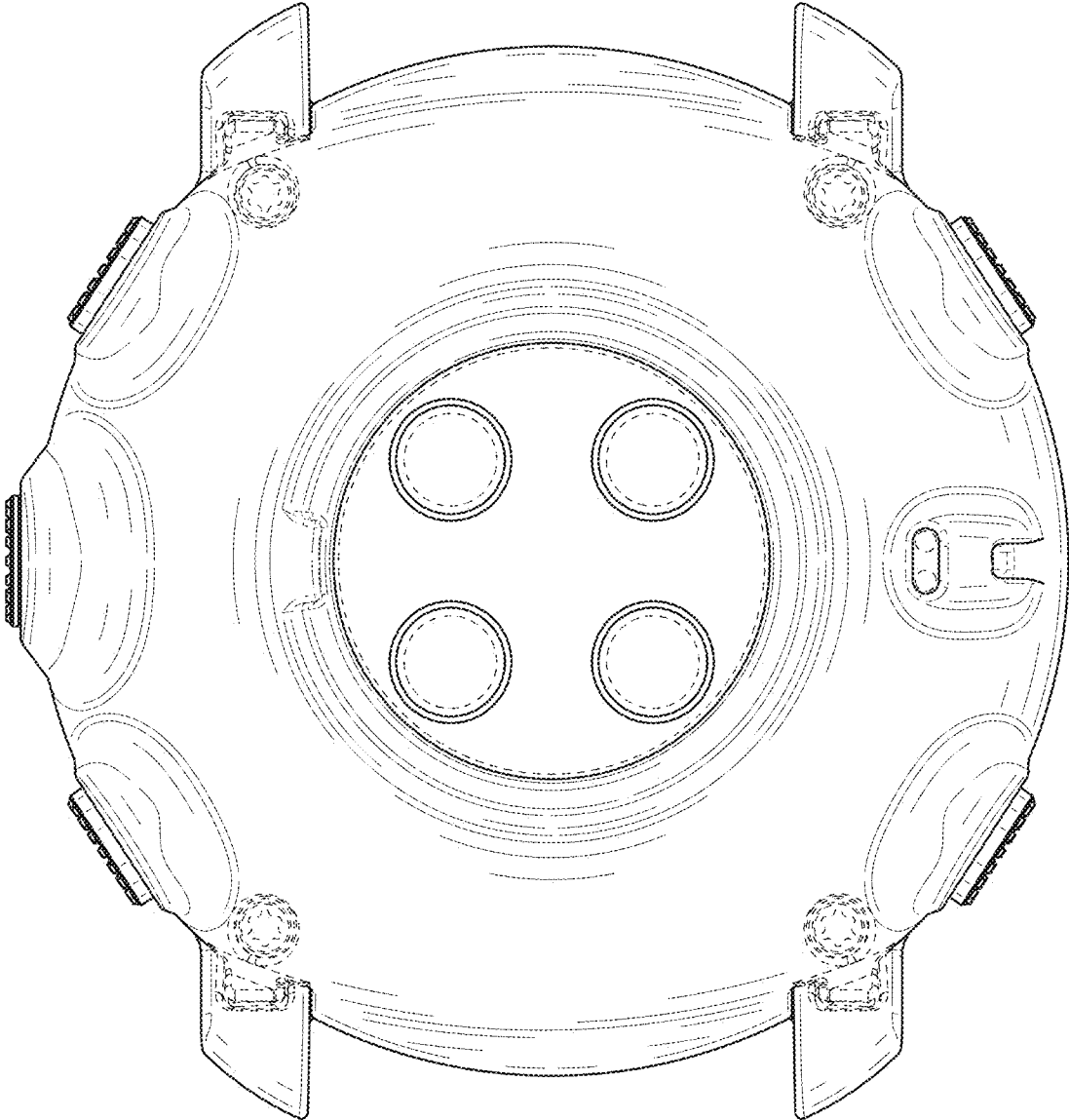


FIG. 7