



(51) International Patent Classification:

A01B 63/102 (2006.01) A01D 67/00 (2006.01)
A01B 59/06 (2006.01) B62D 49/06 (2006.01)

(21) International Application Number:

PCT/US2012/020095

(22) International Filing Date:

3 January 2012 (03.01.2012)

(25) Filing Language:

English

(26) Publication Language:

English

(30) Priority Data:

61/429,403 3 January 2011 (03.01.2011) US

(71) Applicant (for all designated States except US): **OXBO INTERNATIONAL CORPORATION** [US/US]; 7275 Batavia-Byron Road, P.O. Box 100, Byron, NY 14422-0100 (US).

(72) Inventor; and

(75) Inventor/Applicant (for US only): **DOW, Paul, W.** [US/US]; 7232 Route 237, Byron, NY 14422 (US).

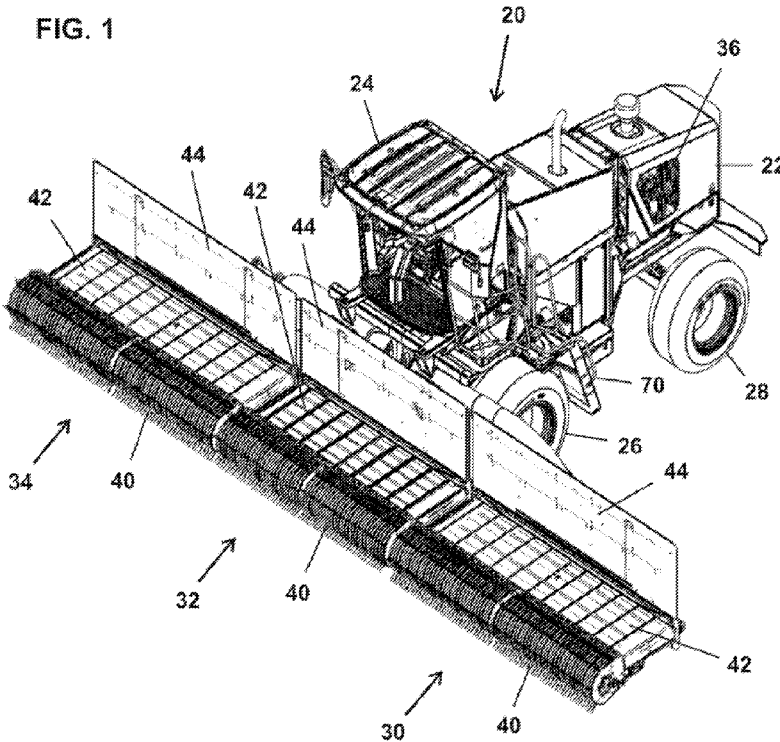
(74) Agent: **BRUESS, Steven, C.**; Merchant & Gould P.C., P.O. Box 2903, Minneapolis, MN 55402-0903 (US).

(81) Designated States (unless otherwise indicated, for every kind of national protection available): AE, AG, AL, AM, AO, AT, AU, AZ, BA, BB, BG, BH, BR, BW, BY, BZ, CA, CH, CL, CN, CO, CR, CU, CZ, DE, DK, DM, DO, DZ, EC, EE, EG, ES, FI, GB, GD, GE, GH, GM, GT, HN, HR, HU, ID, IL, IN, IS, JP, KE, KG, KM, KN, KP, KR, KZ, LA, LC, LK, LR, LS, LT, LU, LY, MA, MD, ME, MG, MK, MN, MW, MX, MY, MZ, NA, NG, NI, NO, NZ, OM, PE, PG, PH, PL, PT, QA, RO, RS, RU, RW, SC, SD, SE, SG, SK, SL, SM, ST, SV, SY, TH, TJ, TM, TN, TR, TT, TZ, UA, UG, US, UZ, VC, VN, ZA, ZM, ZW.

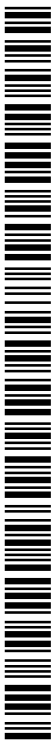
(84) Designated States (unless otherwise indicated, for every kind of regional protection available): ARIPO (BW, GH, GM, KE, LR, LS, MW, MZ, NA, RW, SD, SL, SZ, TZ, UG, ZM, ZW), Eurasian (AM, AZ, BY, KG, KZ, MD, RU, TJ, TM), European (AL, AT, BE, BG, CH, CY, CZ, DE, DK, EE, ES, FI, FR, GB, GR, HR, HU, IE, IS, IT, LT, LU, LV, MC, MK, MT, NL, NO, PL, PT, RO, RS, SE, SI, SK,

[Continued on next page]

(54) Title: SELF-PROPELLED MERGER



(57) Abstract: A self-propelled windrow merger includes a motor and a chassis. At the front of the merger are a first pickup and transfer assembly, a second pickup and transfer assembly and a third pickup and transfer assembly. A cab is above and behind the second pickup and transfer assembly. A folding mechanism for moves each of the pickup and transfer assemblies between a first position wherein the first, second and third pickup and transfer assemblies are laterally aligned and a second position wherein the first and third pickup and transfer assemblies are positioned rear of the cab.





SM, TR), OAPI (BF, BJ, CF, CG, CI, CM, GA, GN, GQ,
GW, ML, MR, NE, SN, TD, TG).

— before the expiration of the time limit for amending the
claims and to be republished in the event of receipt of
amendments (Rule 48.2(h))

Published:

— with international search report (Art. 21(3))

(88) Date of publication of the international search report:

18 October 2012

A. CLASSIFICATION OF SUBJECT MATTER*A01B 63/102(2006.01)i, A01B 59/06(2006.01)i, A01D 67/00(2006.01)i, B62D 49/06(2006.01)i*

According to International Patent Classification (IPC) or to both national classification and IPC

B. FIELDS SEARCHED

Minimum documentation searched (classification system followed by classification symbols)

A01B 63/102; A01D 84/00; A01D 57/28; A01D 78/00; A01B 69/00; A01D 61/00

Documentation searched other than minimum documentation to the extent that such documents are included in the fields searched

Korean utility models and applications for utility models

Japanese utility models and applications for utility models

Electronic data base consulted during the international search (name of data base and, where practicable, search terms used)

eKOMPASS(KIPO internal) & Keywords: self-propelled merger, pickup, transfer, fold, extend, and retract.

C. DOCUMENTS CONSIDERED TO BE RELEVANT

| Category* | Citation of document, with indication, where appropriate, of the relevant passages | Relevant to claim No. |
|-------------|-----------------------------------------------------------------------------------------------------------------------------------|---------------------------------------------|
| X Y A | US 2010-0037584 A1 (DOW et al.) 18 February 2010 See the abstract; paragraphs 0038, 0039, 0041, 0043, 0056; and figures 1, 13. | 1-3,5-10,20,21 4,12,15 11,13,14,16-19 |
| Y | US 6942041 B1 (KRAUS et al.) 13 September 2005 See the abstract; column 5, line 39-column 6, line 4; and figures 5, 6. | 4,12,15 |
| X | US 2006-0162308 A1 (DOW et al) 27 July 2006 See the abstract; paragraph 0042; and figure 1. | 1-3,5-10,20,21 |
| A | US 2006-0254240 A1 (KRONE et al.) 16 November 2006 See the abstract; paragraphs 0028, 0034; and figure 1. | 1-21 |

 Further documents are listed in the continuation of Box C. See patent family annex.

* Special categories of cited documents:

"A" document defining the general state of the art which is not considered to be of particular relevance

"E" earlier application or patent but published on or after the international filing date

"L" document which may throw doubts on priority claim(s) or which is cited to establish the publication date of citation or other special reason (as specified)

"O" document referring to an oral disclosure, use, exhibition or other means

"P" document published prior to the international filing date but later than the priority date claimed

"T" later document published after the international filing date or priority date and not in conflict with the application but cited to understand the principle or theory underlying the invention

"X" document of particular relevance; the claimed invention cannot be considered novel or cannot be considered to involve an inventive step when the document is taken alone

"Y" document of particular relevance; the claimed invention cannot be considered to involve an inventive step when the document is combined with one or more other such documents, such combination being obvious to a person skilled in the art

"&" document member of the same patent family

Date of the actual completion of the international search

22 AUGUST 2012 (22.08.2012)

Date of mailing of the international search report

24 AUGUST 2012 (24.08.2012)

Name and mailing address of the ISA/KR

Korean Intellectual Property Office
189 Cheongsu-ro, Seo-gu, Daejeon Metropolitan
City, 302-701, Republic of Korea

Facsimile No. 82-42-472-7140

Authorized officer

YANG Kyung Jinn

Telephone No. 82-42-481-8556



INTERNATIONAL SEARCH REPORT

Information on patent family members

International application No.

PCT/US2012/020095

| Patent document cited in search report | Publication date | Patent family member(s) | Publication date |
|----------------------------------------|------------------|--------------------------------------------------------------------------------------------------------------|----------------------------------------------------------------------------------|
| US 2010-0037584 A1 | 18.02.2010 | US 2011-0094200 A1 US 2011-0094202 A1 US 8091331 B2 US 8186138 B2 | 28.04.2011 28.04.2011 10.01.2012 29.05.2012 |
| US 6942041 B1 | 13.09.2005 | CA 2569670 A1 WO 2005-120936 A1 | 22.12.2005 22.12.2005 |
| US 2006-0162308 A1 | 27.07.2006 | US 2004-0200203 A1 US 2011-203244 A1 US 7310929 B2 US 7827774 B2 | 14.10.2004 25.08.2011 25.12.2007 09.11.2010 |
| US 2006-0254240 A1 | 16.11.2006 | AT 393568 T DE 102005004004 A1 DE 502006000698 D1 EA 200600108 A3 EP 1685756 A1 EP 1685756 B1 | 15.05.2008 17.08.2006 12.06.2008 29.12.2006 02.08.2006 30.04.2008 |