



US00D503333S

(12) **United States Design Patent**
Ledingham

(10) **Patent No.:** **US D503,333 S**

(45) **Date of Patent:** **** Mar. 29, 2005**

(54) **CLAMP**

5,335,782 A * 8/1994 Herzog
5,501,544 A * 3/1996 Cairns

(75) **Inventor:** **Stuart J. Ledingham**, Trabuco Canyon, CA (US)

OTHER PUBLICATIONS

(73) **Assignee:** **Valu Engineering, Inc.**, Rancho Santa Margarita, CA (US)

Valu Guide brochure, pp. 30.2 A, 12/92, 1 page.*
Valu Guide brochure, New Product Bulletin No. 134, May 1994, Binder Sec. 30.*
Valu Guide brochure, New product Bulletin No. 153, Nov. 1994, Binder Sec. 40.*

(**) **Term:** **14 Years**

* cited by examiner

(21) **Appl. No.:** **29/153,657**

Primary Examiner—Paula A. Greene

(22) **Filed:** **Jan. 10, 2002**

(74) *Attorney, Agent, or Firm*—Knobbe, Martens, Olson & Bear LLP

Related U.S. Application Data

(63) Continuation of application No. 29/139,987, filed on Apr. 10, 2001, now abandoned, which is a continuation of application No. 29/083,938, filed on Feb. 20, 1998, now abandoned.

(57) **CLAIM**

The ornamental design for a clamp, as shown and described.

(51) **LOC (7) Cl.** **08-08**

DESCRIPTION

(52) **U.S. Cl.** **D8/394**

FIG. 1 is a perspective view of the clamp of the present invention;

(58) **Field of Search** D8/382-394, 396, D8/72, 74; 248/295.11; 198/836.11, 836.3; 403/400, 388, 389, 385, 396, 391

FIG. 2 is a top plan view thereof;
FIG. 3 is a front elevational view thereof, the rear elevational view being a mirror image thereof;

(56) **References Cited**

U.S. PATENT DOCUMENTS

- 1,217,960 A * 3/1917 Klorer
- 2,817,546 A * 12/1957 Benes
- 2,940,783 A * 6/1960 Engelhardt
- 3,096,110 A * 7/1963 Cantor
- 3,154,331 A * 10/1964 Engelhardt
- 3,230,595 A * 1/1966 Kedem
- 3,887,291 A * 6/1975 Langren
- 4,502,594 A * 3/1985 Sijbrandij

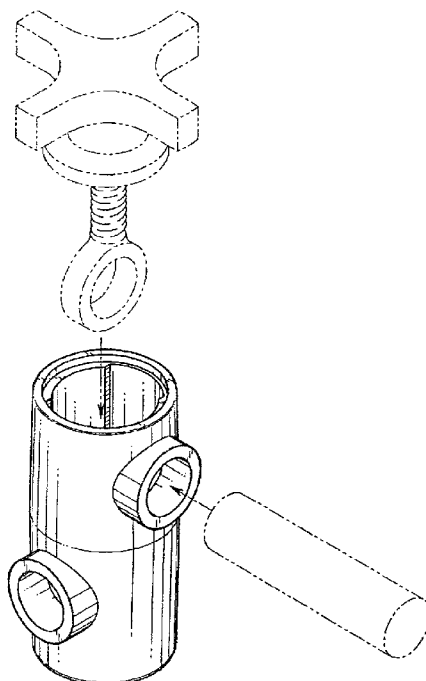
FIG. 4 is a right side elevational view, the left side elevational view being a mirror image thereof;

FIG. 5 is a bottom plan view thereof;
FIG. 6 is a cross-sectional view thereof along line 6—6 of FIG. 3; and,

FIG. 7 is a cross-sectional view thereof along line 7—7 of FIG. 3.

The broken lines are for illustrative purposes only and forms no part of the claimed design.

1 Claim, 2 Drawing Sheets



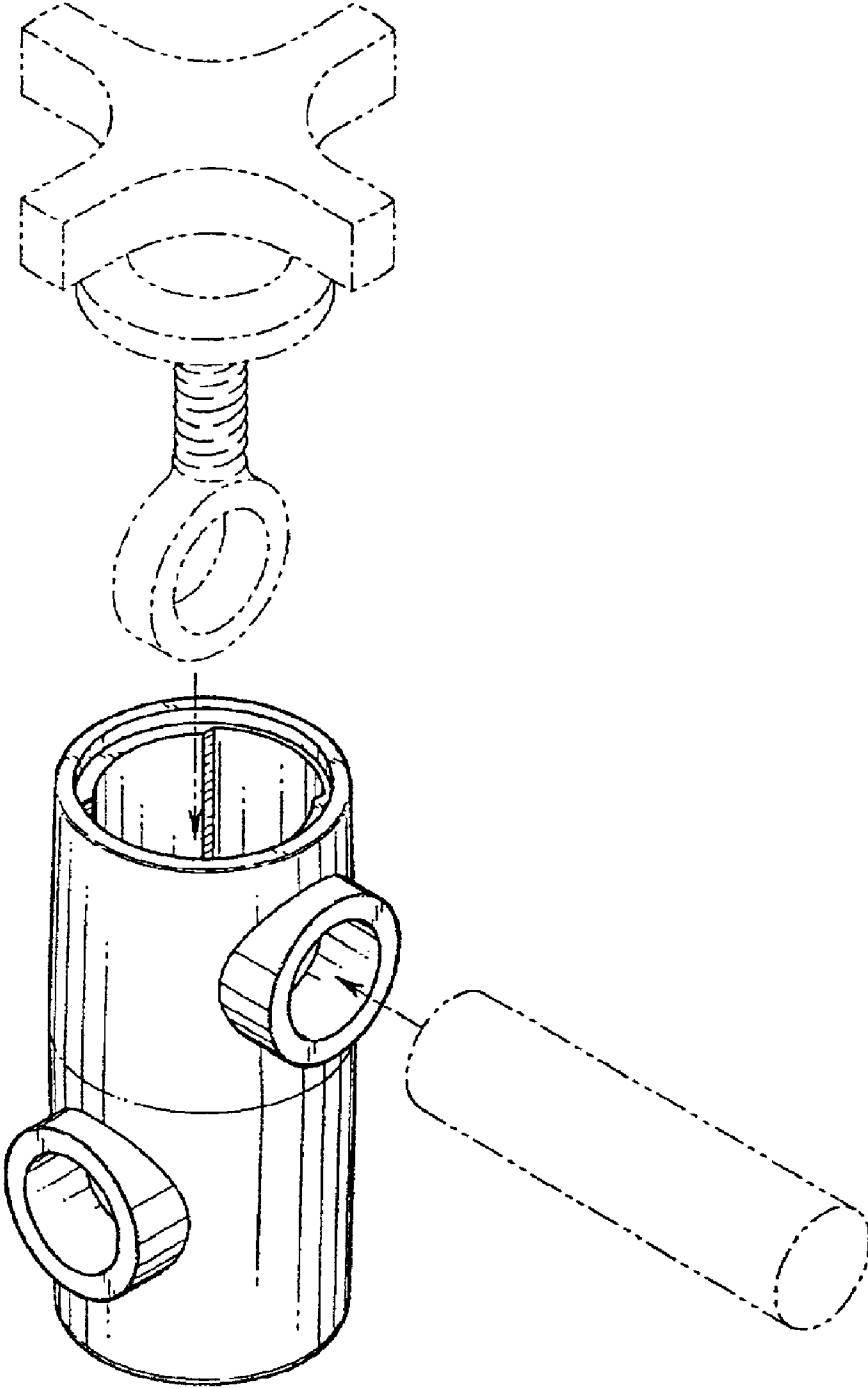


FIG. 1

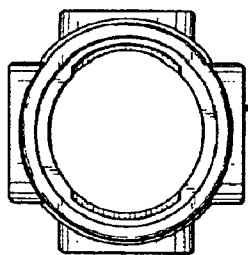


FIG. 2

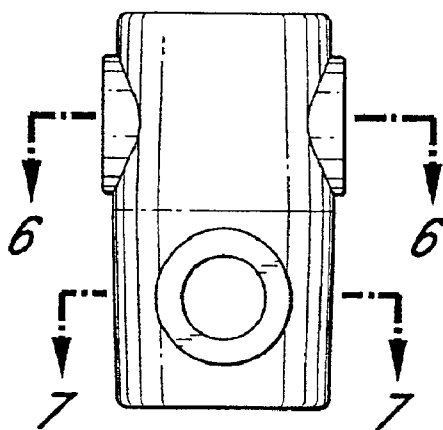


FIG. 3

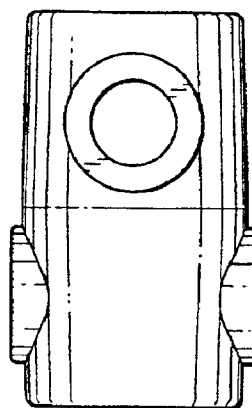


FIG. 4

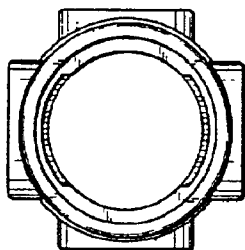


FIG. 5

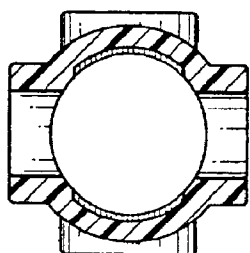


FIG. 6

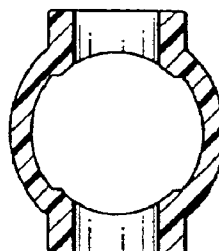


FIG. 7