

[54] **INK RIBBON CASSETTE**
 [75] Inventors: **Shigeru Nezu; Osamu Asakura**, both of Tokyo, Japan
 [73] Assignee: **Canon Kabushiki Kaisha**, Tokyo, Japan
 [**] Term: **14 Years**
 [21] Appl. No.: **88,191**
 [22] Filed: **Aug. 24, 1987**
 [30] **Foreign Application Priority Data**

Feb. 25, 1987 [JP] Japan 62-7340
 [52] U.S. Cl. **D18/12**
 [58] Field of Search D18/12, 22, 23, 99; 400/196.1, 208

[56] **References Cited**
U.S. PATENT DOCUMENTS

D. 265,567 7/1982 Christie D18/12
 D. 271,310 11/1983 Canning et al. D18/12
 D. 280,331 11/1983 Nibley et al. D18/12

D. 280,332 11/1985 Nibley et al. D18/12
 D. 280,333 11/1985 Nibley et al. D18/22
 D. 280,913 10/1985 Nibley et al. D18/22
 D. 285,808 9/1986 Fuziwara et al. D18/22
 4,132,485 1/1979 Hess 400/208

Primary Examiner—James R. Largen
Attorney, Agent, or Firm—Fitzpatrick, Cella, Harper & Scinto

[57] **CLAIM**

The ornamental design for an ink ribbon cassette, as shown and described.

DESCRIPTION

FIG. 1 is a front elevational view of an ink ribbon cassette showing our new design;
 FIG. 2 is a rear elevational view thereof;
 FIG. 3 is a top plan view thereof;
 FIG. 4 is a bottom plan view thereof;
 FIG. 5 is a left side elevational view thereof;
 FIG. 6 is a right side elevational view thereof; and
 FIG. 7 is a perspective view taken from the top, front and right side thereof.

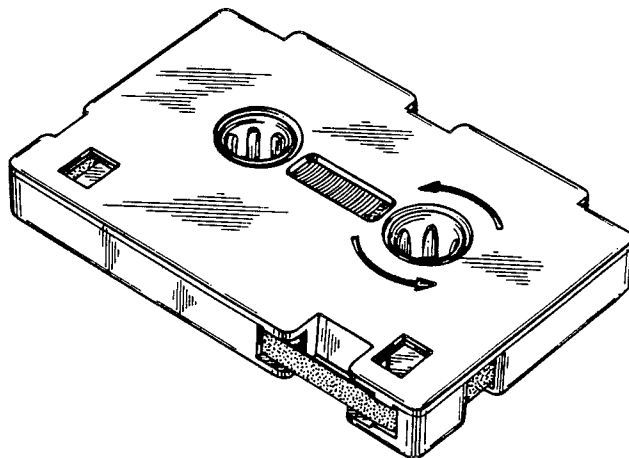


FIG. 1



FIG. 2

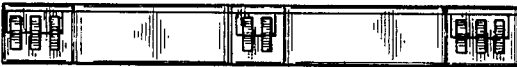


FIG. 3

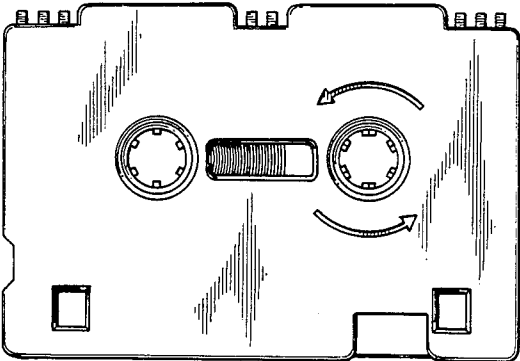


FIG. 4

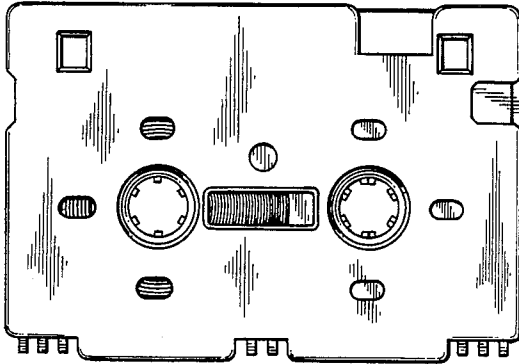


FIG. 5



FIG. 6

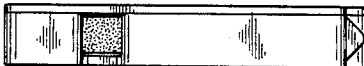


FIG. 7

