



US00D351529S

United States Patent [19]

[11] Patent Number: **Des. 351,529**

Scott, Jr.

[45] Date of Patent: **** Oct. 18, 1994**

- [54] **BREWING BLOWOUT TUBE**
- [76] Inventor: **Walter T. Scott, Jr.**, 7708 Casasia Ct., Orlando, Fla. 32835
- [**] Term: **14 Years**
- [21] Appl. No.: **530**
- [22] Filed: **Oct. 16, 1992**
- [52] U.S. Cl. **D7/398; D7/387**
- [58] Field of Search **D7/510, 511, 300.2, D7/301, 398, 302, 397, 213; 426/330, 330.4, 11, 15; 99/276, 275; D24/108, 111, 112; D23/259, 266, 260**

3,517,884	5/1985	Jandrich	99/276
3,528,817	9/1970	Barrett et al.	426/15
4,065,107	12/1977	Van Horbek	D7/300.2 X
4,218,964	8/1980	Beadle	99/275
4,477,477	10/1984	Arter	426/330.4
4,658,990	4/1987	Ramage	D7/300.2 X

Primary Examiner—Alan P. Douglas
Assistant Examiner—Marianne N. Pandozzi
Attorney, Agent, or Firm—William M. Hobby, III

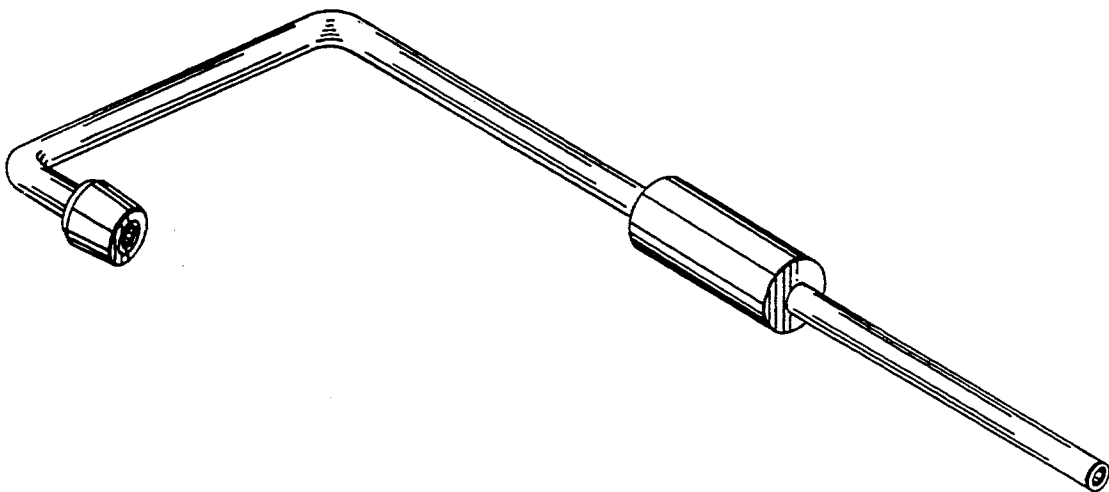
[57] CLAIM

The ornamental design for a brewing blowout tube, design as shown.

DESCRIPTION

- FIG. 1 is a perspective view of my new brewing blow-out tube;
- FIG. 2 is a side elevation;
- FIG. 3 is a rear side elevation;
- FIG. 4 is a front elevation;
- FIG. 5 is a top plan view; and,
- FIG. 6 is a bottom plan view.

- [56] **References Cited**
- U.S. PATENT DOCUMENTS**
- D. 303,197 9/1989 Turner, Jr. et al. D7/300.2
- D. 331,348 12/1992 Park D7/300.2 X
- D. 331,858 12/1992 Erway D7/398 X
- D. 336,043 6/1993 Provencio D7/511 X



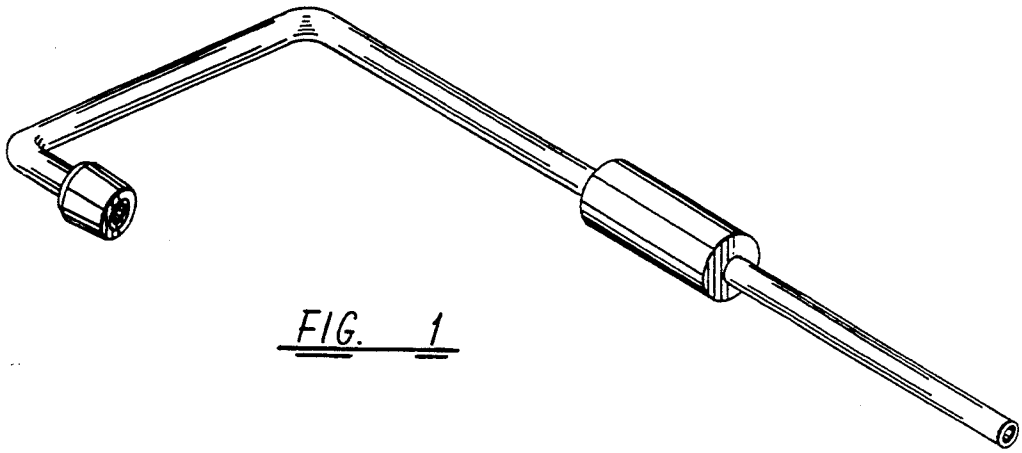


FIG. 1

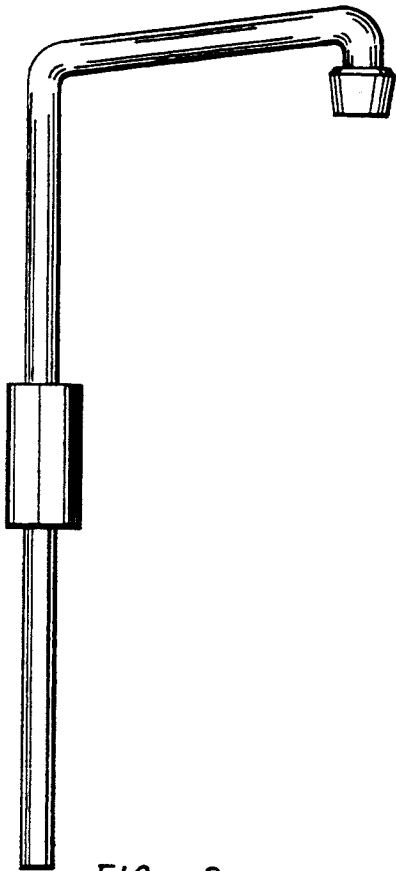


FIG. 2



FIG. 3



FIG. 4



FIG. 5

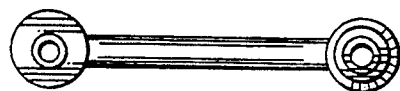


FIG. 6