



US0D1068129S

(12) **United States Design Patent**
Chen

(10) **Patent No.:** **US D1,068,129 S**

(45) **Date of Patent:** **** Mar. 25, 2025**

(54) **BEAUTY LAMP**

(71) Applicant: **Yukun Chen**, Huazhou (CN)

(72) Inventor: **Yukun Chen**, Huazhou (CN)

(**) Term: **15 Years**

(21) Appl. No.: **29/971,147**

(22) Filed: **Nov. 1, 2024**

(51) **LOC (15) Cl.** **26-05**

(52) **U.S. Cl.**
USPC **D26/65**; D26/107

(58) **Field of Classification Search**
USPC D26/61-66, 93, 104-110
CPC .. F21S 86/00; F21S 6/002; F21S 6/003; F21S
6/005; F21S 6/006; F21S 6/007
See application file for complete search history.

(56) **References Cited**

U.S. PATENT DOCUMENTS

D738,557 S *	9/2015	Colombo	D26/85
D960,427 S *	8/2022	Harcourt	F21S 6/004
D1,002,084 S *	10/2023	Li	D26/107
D1,002,087 S *	10/2023	Li	D26/113
D1,002,910 S *	10/2023	Li	D26/138
D1,004,829 S *	11/2023	Zhu	D26/65
D1,020,052 S *	3/2024	Jiang	D26/104
D1,025,444 S *	4/2024	Chen	D26/107
D1,025,445 S *	4/2024	Chen	D26/93
D1,026,275 S *	5/2024	Chen	
D1,032,067 S *	6/2024	Fu	D26/106
D1,036,734 S *	7/2024	Chen	D26/56
D1,042,966 S *	9/2024	Li	D26/63
D1,044,081 S *	9/2024	Meng	D26/65
D1,045,169 S *	10/2024	Kaiser	D26/113
D1,046,242 S *	10/2024	Shang	D26/65
D1,050,559 S *	11/2024	Chen	D26/65
D1,052,786 S *	11/2024	Li	D26/94

OTHER PUBLICATIONS

Half Moon Light, posted at Amazon, date first available Dec. 26, 2023. Site visited Dec. 3, 2024 Available from internet, URL: <https://www.amazon.com/dp/B0CQY3SGV5?th=1> (Year: 2023).*

(Continued)

Primary Examiner — Sharon S Oum

Assistant Examiner — Vanessa Martinez

(74) *Attorney, Agent, or Firm* — JEEN IP LAW, LLC

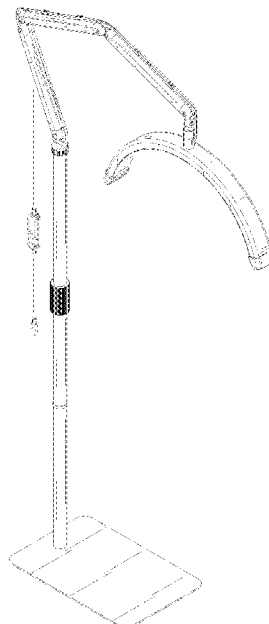
(57) **CLAIM**

The ornamental design for a beauty lamp, as shown and described.

DESCRIPTION

FIG. 1 is a front, left and top perspective view of a beauty lamp, showing my new design;
FIG. 2 is a front, right and top perspective view thereof;
FIG. 3 is a rear, left and bottom perspective view thereof;
FIG. 4 is a left view thereof;
FIG. 5 is a right view thereof;
FIG. 6 is a front side view thereof;
FIG. 7 is a rear side view thereof;
FIG. 8 is a top plan view thereof;
FIG. 9 is a bottom plan view thereof;
FIG. 10 is an enlarged view of portion 10 of FIG. 2 thereof;
FIG. 11 is an enlarged view of portion 11 of FIG. 2 thereof; and,
FIG. 12 is an enlarged view of portion 12 of FIG. 3 thereof.
The broken lines shown in the drawings illustrate portions of the beauty lamp that form no part of the claimed design.
The dot-dash broken lines depict the boundaries of the enlargements that form no part of the claimed design.

1 Claim, 12 Drawing Sheets



(56)

References Cited

OTHER PUBLICATIONS

Janolia Floor lamp, posted at Amazon, date first available Jul. 11, 2024. Site visited Dec. 3, 2024 Available from internet, URL: <https://www.amazon.com/dp/B0D315ZK9B?th=1> (Year: 2024).*

Semoprus, posted at Amazon, date first available Dec. 26, 2023. Site visited Dec. 3, 2024 Available from internet, URL: <https://www.amazon.com/dp/B0CQYM9KX3?th=1> (Year: 2023).*

* cited by examiner

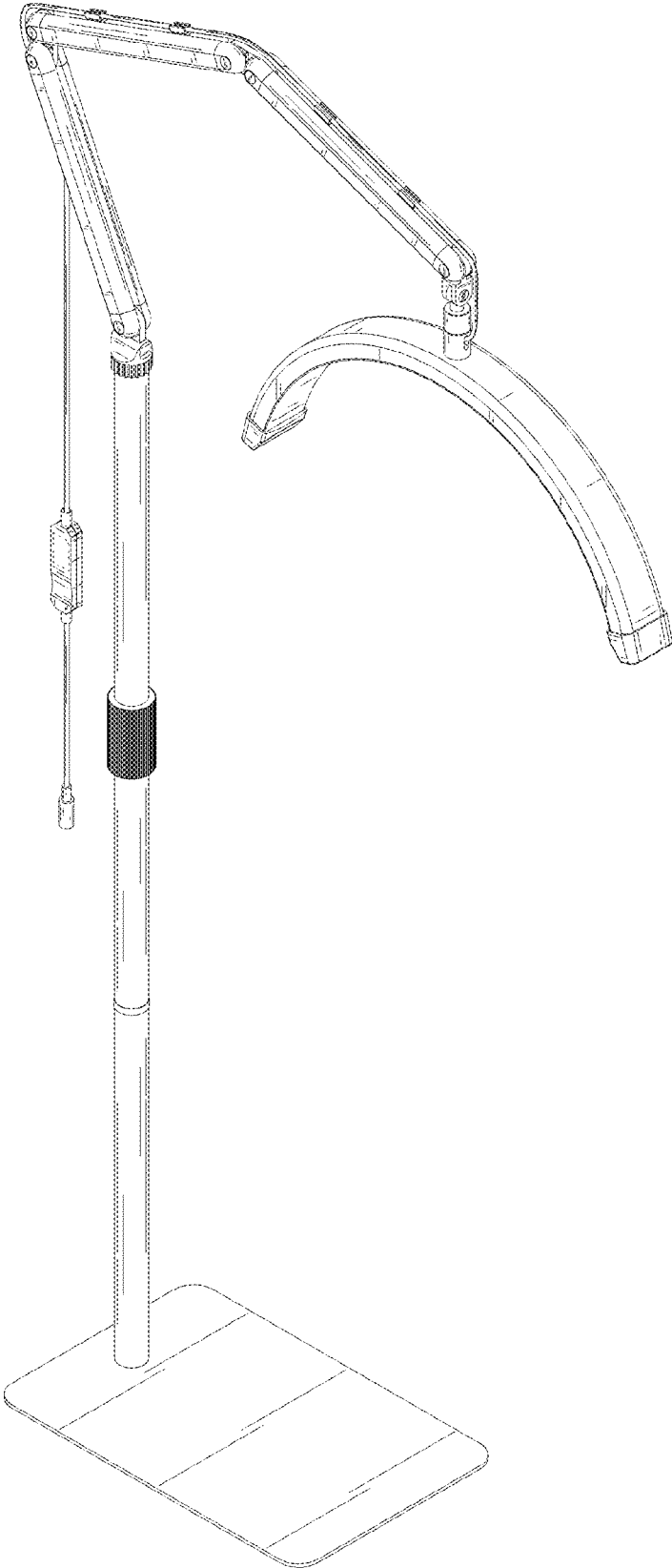


FIG. 1

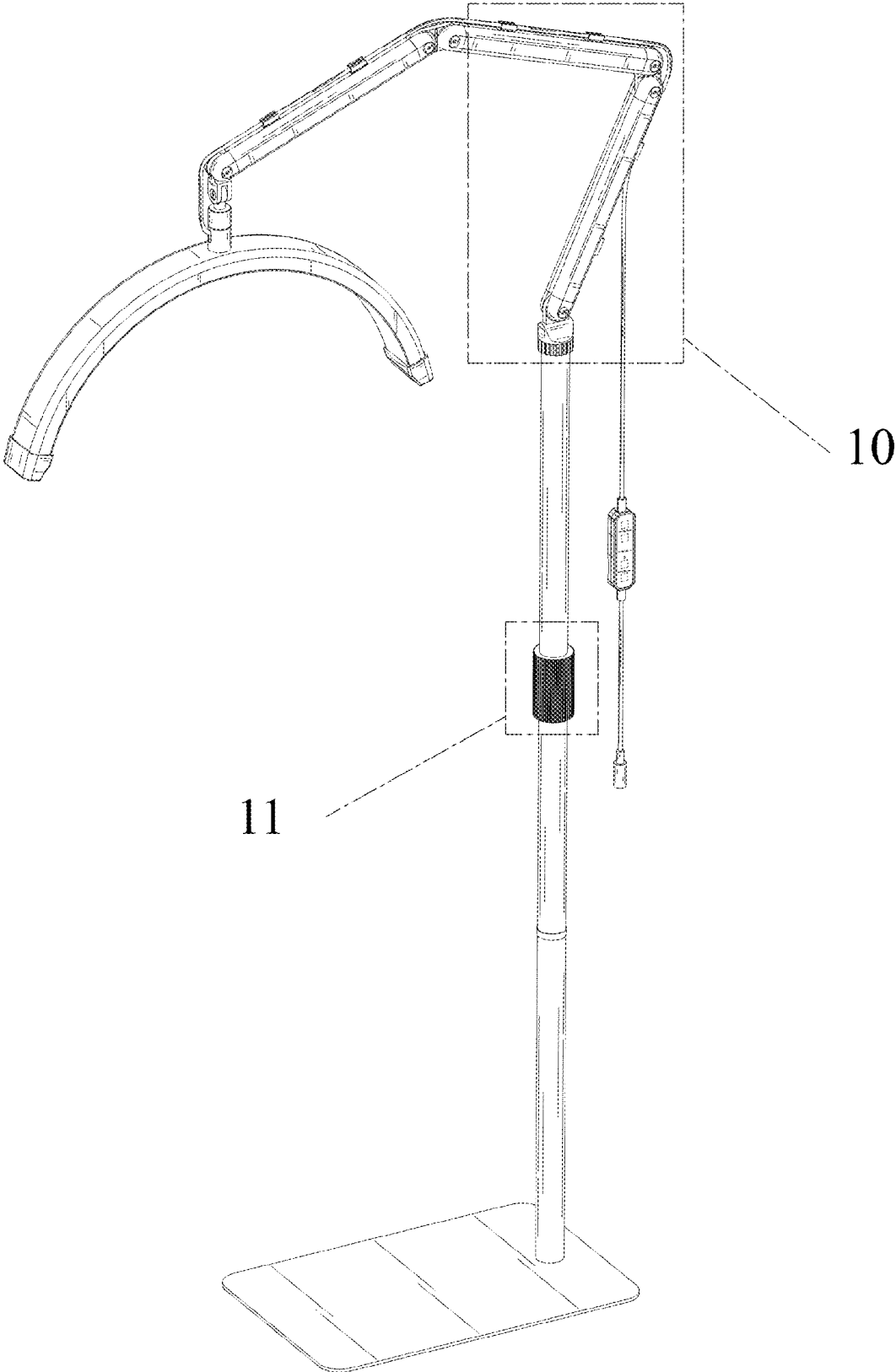


FIG. 2

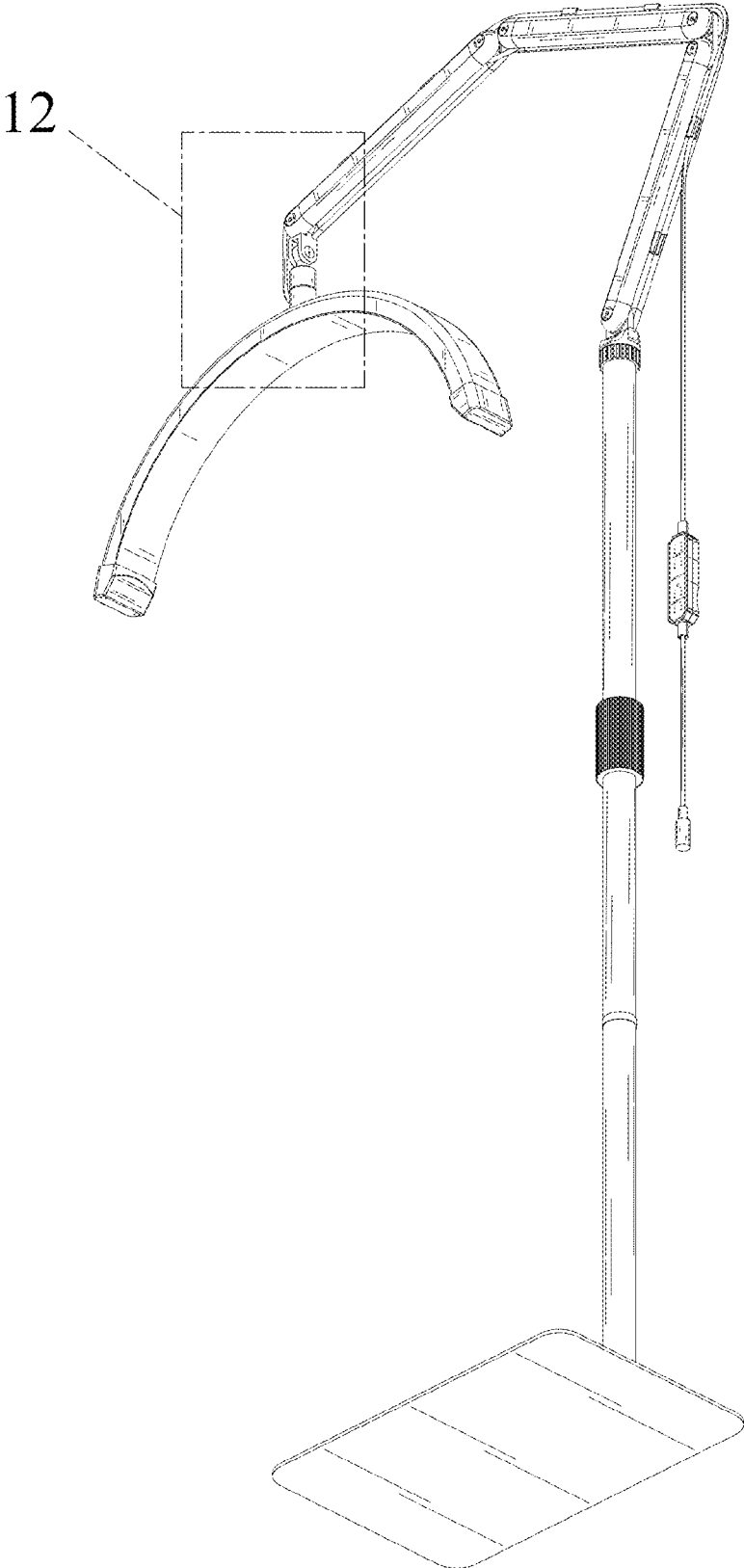


FIG. 3

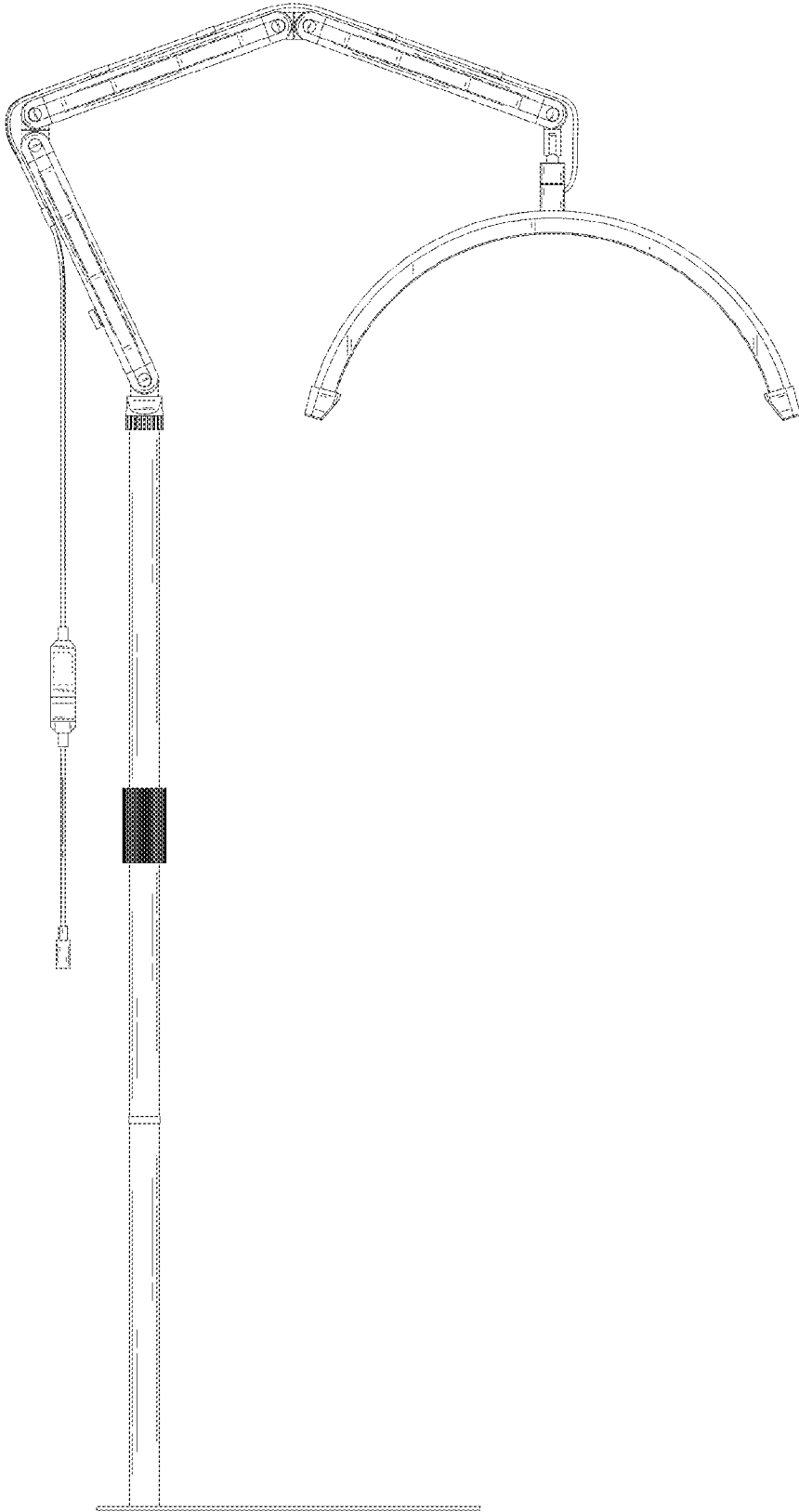


FIG. 4

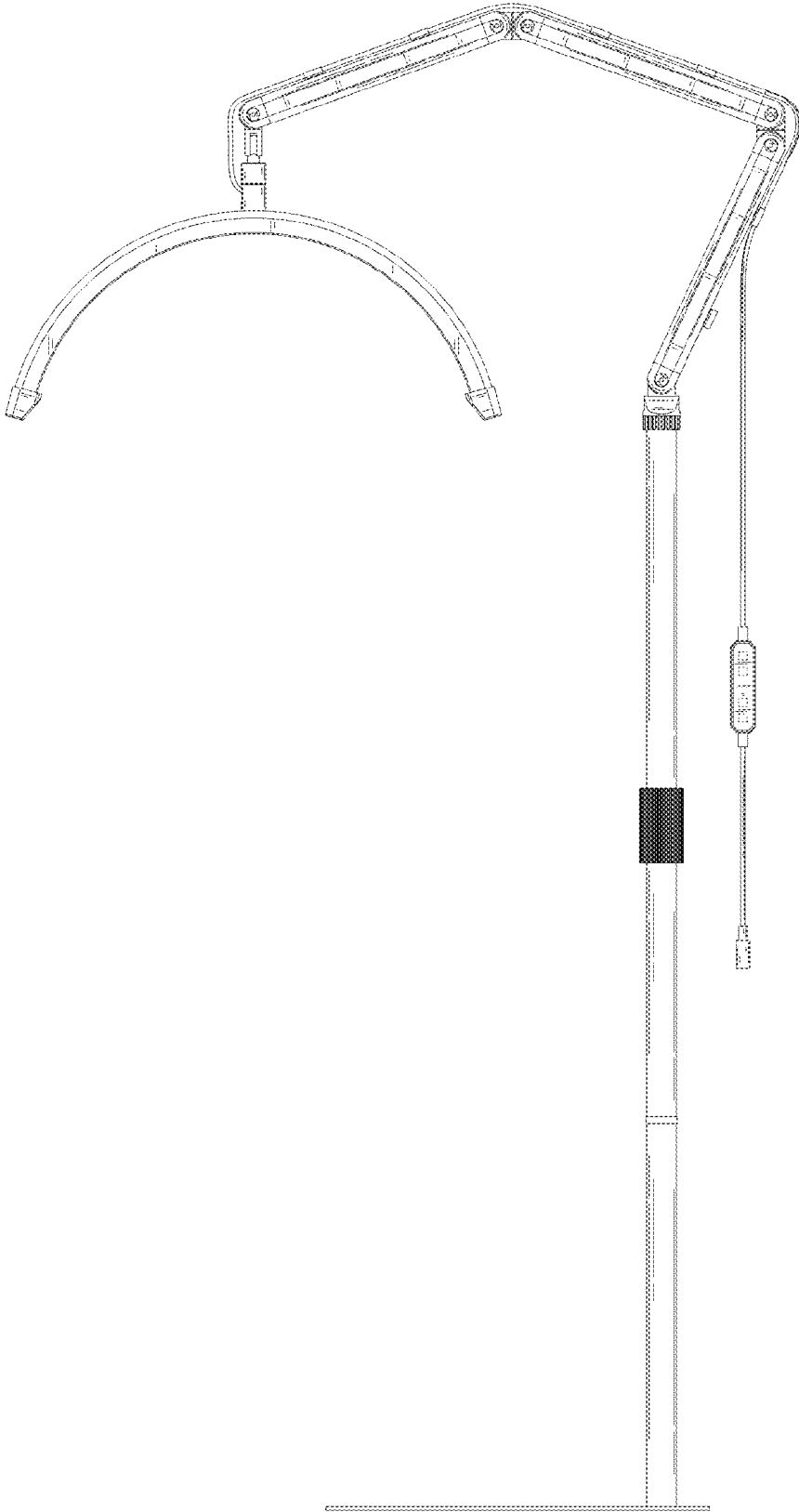


FIG. 5

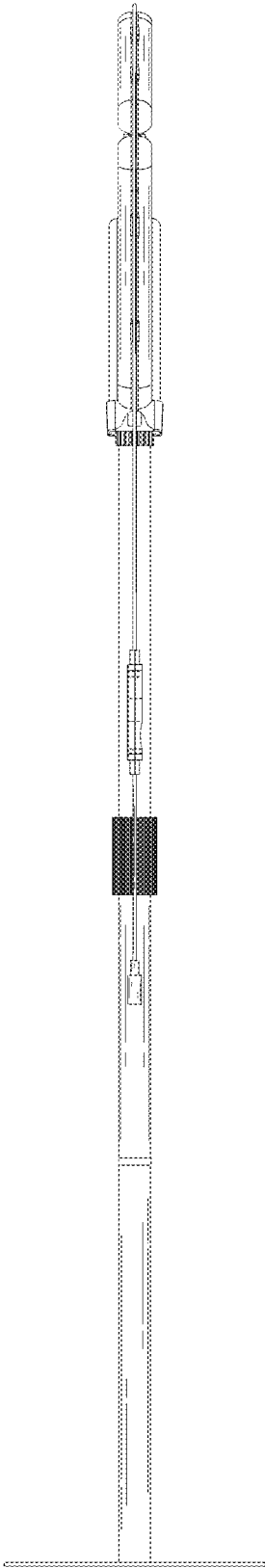


FIG. 6

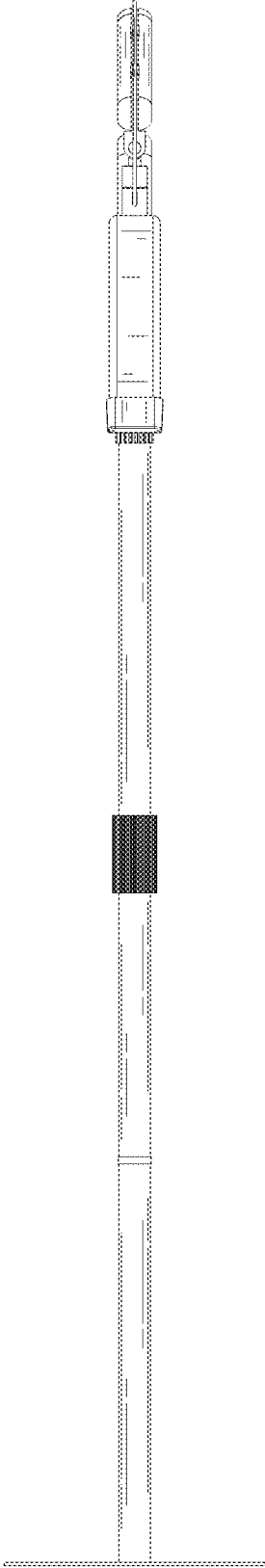


FIG. 7

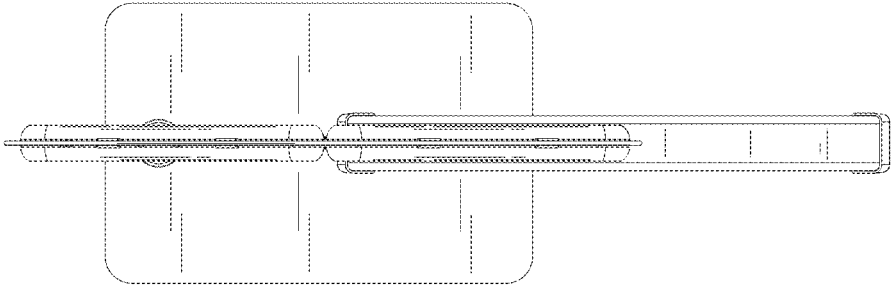


FIG. 8

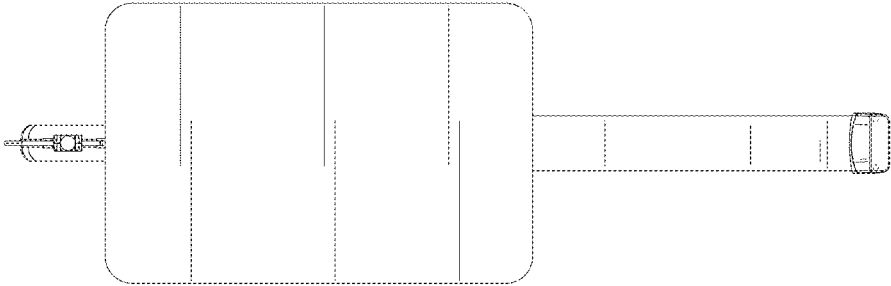


FIG. 9

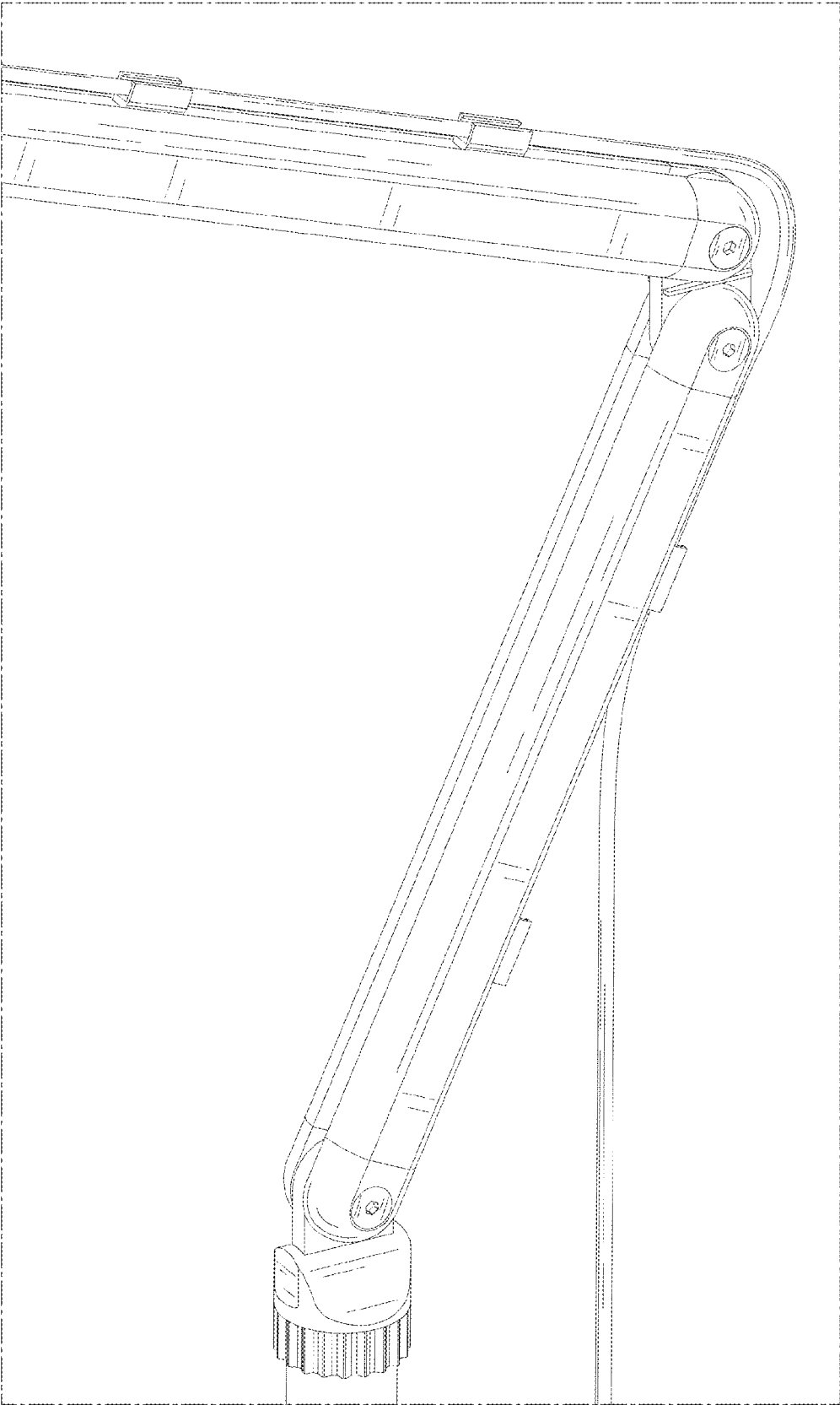


FIG. 10

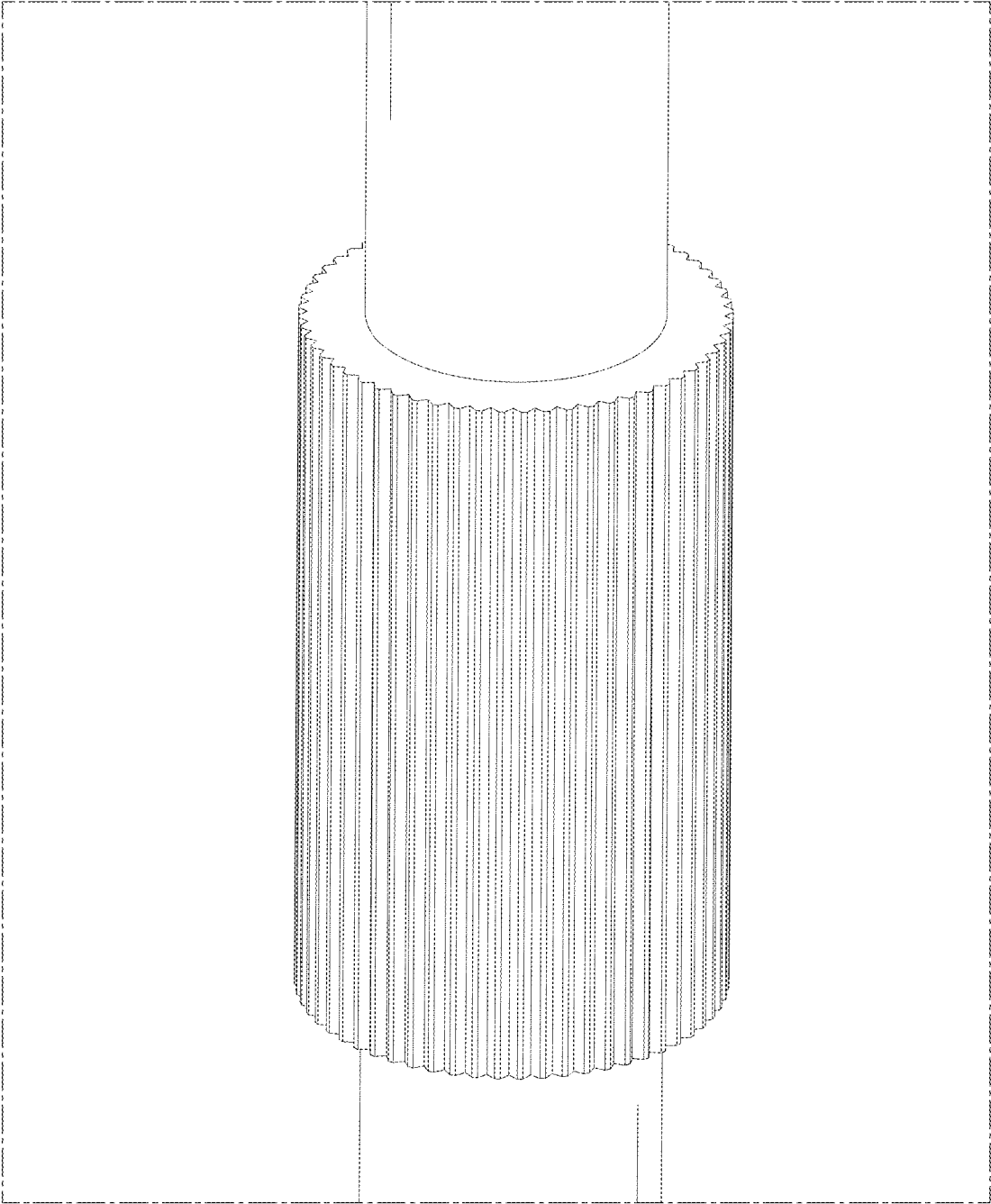


FIG. 11

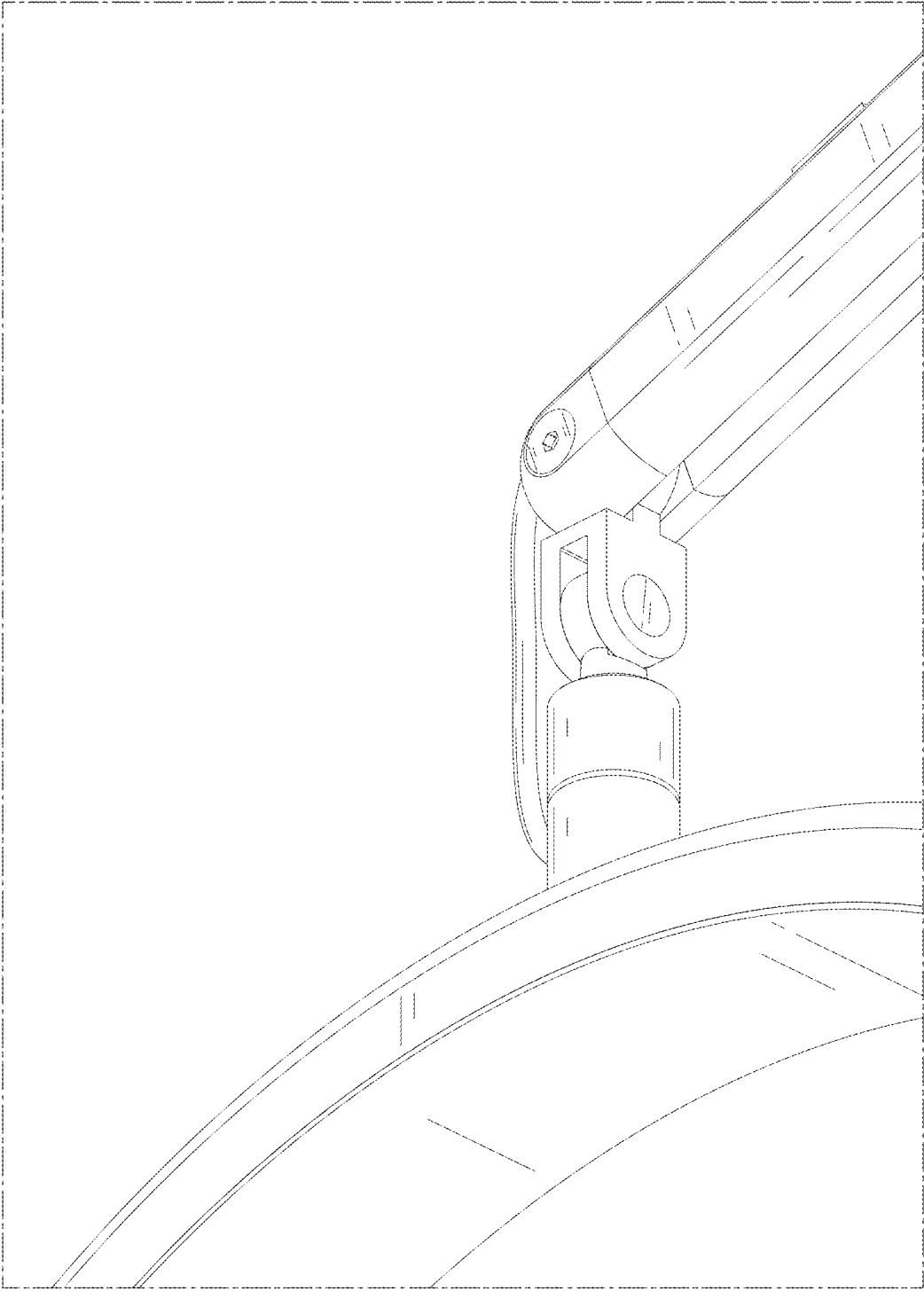


FIG. 12