



- (51) **International Patent Classification:**
F23D 14/06 (2006.01) *F24C 3/08* (2006.01)
- (21) **International Application Number:**
PCT/IB2012/053739
- (22) **International Filing Date:**
23 July 2012 (23.07.2012)
- (25) **Filing Language:** Italian
- (26) **Publication Language:** English
- (30) **Priority Data:**
TO2011U000078 29 July 2011 (29.07.2011) IT
- (71) **Applicant (for all designated States except US):** **INDESIT COMPANY S.P.A.** [IT/IT]; Viale Aristide Merloni, 47, I-60044 Fabriano (AN) (IT).
- (72) **Inventor; and**
- (75) **Inventor/Applicant (for US only):** **ALBERTI, Carlo** [IT/IT]; Via XIII Luglio, 144, I-60044 Fabriano (AN) (IT).
- (74) **Agent:** **SANTONICOLA, Paolo**; Via Lamberto Corsi, 55, I-60044 Fabriano (AN) (IT).
- (81) **Designated States (unless otherwise indicated, for every kind of national protection available):** AE, AG, AL, AM,

AO, AT, AU, AZ, BA, BB, BG, BH, BR, BW, BY, BZ, CA, CH, CL, CN, CO, CR, CU, CZ, DE, DK, DM, DO, DZ, EC, EE, EG, ES, FI, GB, GD, GE, GH, GM, GT, HN, HR, HU, ID, IL, IN, IS, JP, KE, KG, KM, KN, KP, KR, KZ, LA, LC, LK, LR, LS, LT, LU, LY, MA, MD, ME, MG, MK, MN, MW, MX, MY, MZ, NA, NG, NI, NO, NZ, OM, PE, PG, PH, PL, PT, QA, RO, RS, RU, RW, SC, SD, SE, SG, SK, SL, SM, ST, SV, SY, TH, TJ, TM, TN, TR, TT, TZ, UA, UG, US, UZ, VC, VN, ZA, ZM, ZW.

(84) **Designated States (unless otherwise indicated, for every kind of regional protection available):** ARIPO (BW, GH, GM, KE, LR, LS, MW, MZ, NA, RW, SD, SL, SZ, TZ, UG, ZM, ZW), Eurasian (AM, AZ, BY, KG, KZ, RU, TJ, TM), European (AL, AT, BE, BG, CH, CY, CZ, DE, DK, EE, ES, FI, FR, GB, GR, HR, HU, IE, IS, IT, LT, LU, LV, MC, MK, MT, NL, NO, PL, PT, RO, RS, SE, SI, SK, SM, TR), OAPI (BF, BJ, CF, CG, CI, CM, GA, GN, GQ, GW, ML, MR, NE, SN, TD, TG).

Published:

— with international search report (Art. 21(3))

(88) **Date of publication of the international search report:**
23 January 2014

(54) **Title:** GAS BURNER, IN PARTICULAR FOR A FOOD COOKING APPLIANCE

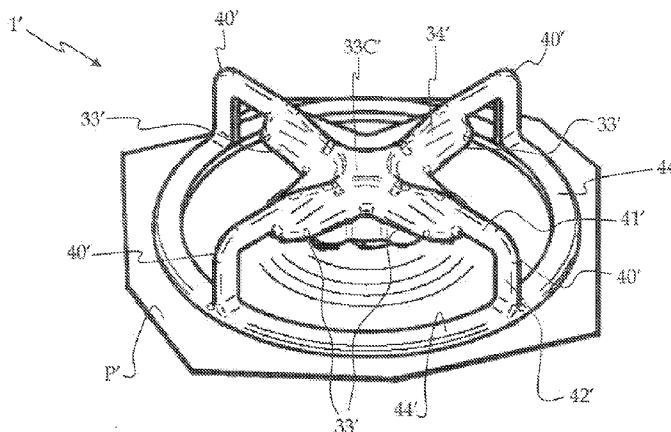


Fig. 3a

(57) **Abstract:** The present invention relates to a gas burner (1;1'), in particular for a food cooking appliance, said burner (1, 1') comprising: - a cup (10; 10') comprising an injector (11, 11') for letting out gas coming from a duct (12, 12') that supplies gas to said burner (1, 1'); - a flame divider (20; 20') associated with said cup (10, 10') and comprising a Venturi effect chamber (21; 21'), in particular said chamber (21, 21') being positioned substantially coaxial to said injector (11, 11'); - a cap (30; 30') associated with said flame divider (20; 20') so as to allow gas to come out through a plurality of apertures (22; 22') of said flame divider (20; 20') and/or of said cap (30; 30'). The invention is characterized in that said flame divider (20; 20') is so designed as to comprise at least three appendices (23; 23') extending from a central portion (23C; 23C') of the flame divider (20; 20'), and said cap (30; 30') is so designed as to comprise at least three elongated portions (33; 33') coupled to said appendices (23; 23') and extending from a central area (33C; 33C') of said cap (30; 30'). The invention is further characterized in that said cap (30; 30') is integrated with a pan supporting grate (40; 40').



INTERNATIONAL SEARCH REPORT

International application No
PCT/IB2012/053739

A. CLASSIFICATION OF SUBJECT MATTER
INV. F23D14/06 F24C3/08
ADD.
According to International Patent Classification (IPC) or to both national classification and IPC

B. FIELDS SEARCHED
Minimum documentation searched (classification system followed by classification symbols)
F23D F24C

Documentation searched other than minimum documentation to the extent that such documents are included in the fields searched

Electronic data base consulted during the international search (name of data base and, where practicable, search terms used)
EPO-Internal, WPI Data

C. DOCUMENTS CONSIDERED TO BE RELEVANT

Category*	Citation of document, with indication, where appropriate, of the relevant passages	Relevant to claim No.
Y	US 2008/160465 A1 (PRYOR WILLIAM MICHAEL [US] ET AL) 3 July 2008 (2008-07-03) paragraphs [0003], [0005], [0017] - paragraph [0022] paragraph [0033]	1-15
Y	EP 1 508 001 A1 (MERLONI ELETTRODOMESTICI SPA [IT] INDESIT CO SPA [IT]) 23 February 2005 (2005-02-23) paragraphs [0011], [0012], [0017], [0028], [0032]; figures 1-5	1-15
A	US 5 628 302 A (SCHATZ STEVEN M [US] ET AL) 13 May 1997 (1997-05-13) column 4, line 4 - line 6 column 3, line 11 - column 3, line 17 column 3, line 45 - line 59; figures 1, 2	7,12
	-/--	

Further documents are listed in the continuation of Box C.

See patent family annex.

* Special categories of cited documents :

- "A" document defining the general state of the art which is not considered to be of particular relevance
- "E" earlier application or patent but published on or after the international filing date
- "L" document which may throw doubts on priority claim(s) or which is cited to establish the publication date of another citation or other special reason (as specified)
- "O" document referring to an oral disclosure, use, exhibition or other means
- "P" document published prior to the international filing date but later than the priority date claimed

"T" later document published after the international filing date or priority date and not in conflict with the application but cited to understand the principle or theory underlying the invention

"X" document of particular relevance; the claimed invention cannot be considered novel or cannot be considered to involve an inventive step when the document is taken alone

"Y" document of particular relevance; the claimed invention cannot be considered to involve an inventive step when the document is combined with one or more other such documents, such combination being obvious to a person skilled in the art

"&" document member of the same patent family

Date of the actual completion of the international search 17 October 2013	Date of mailing of the international search report 25/10/2013
--	--

Name and mailing address of the ISA/ European Patent Office, P.B. 5818 Patentlaan 2 NL - 2280 HV Rijswijk Tel. (+31-70) 340-2040, Fax: (+31-70) 340-3016	Authorized officer Harder, Sebastian
--	---

INTERNATIONAL SEARCH REPORT

International application No
PCT/IB2012/053739

C(Continuation). DOCUMENTS CONSIDERED TO BE RELEVANT		
Category*	Citation of document, with indication, where appropriate, of the relevant passages	Relevant to claim No.
A	US 2005/056268 A1 (PANCHAPAGESAN GANESAN VAIDYANA [IN] ET AL) 17 March 2005 (2005-03-17) paragraph [0010]; figure 1 -----	1,11,13
A	US 6 299 436 B1 (HUANG VINCENT M S [US]) 9 October 2001 (2001-10-09) column 2, line 58 - line 66 column 4, line 19 - line 22; figure 1 -----	1,2,13
A	EP 1 880 142 A1 (INZAGHI ENZO [IT] STEEL TIME S P A [IT]) 23 January 2008 (2008-01-23) paragraphs [0025], [0033], [0038]; figures 2,5, 7 -----	1,10,13

INTERNATIONAL SEARCH REPORT

Information on patent family members

International application No PCT/IB2012/053739

Patent document cited in search report	Publication date	Patent family member(s)	Publication date
US 2008160465	A1	03-07-2008	
		AU 2007340137 A1	10-07-2008
		AU 2007340138 A1	10-07-2008
		CA 2669988 A1	10-07-2008
		CA 2671392 A1	10-07-2008
		CN 101595343 A	02-12-2009
		CN 101622497 A	06-01-2010
		EP 2097672 A1	09-09-2009
		EP 2097673 A1	09-09-2009
		RU 2009120315 A	10-12-2010
		RU 2009120318 A	10-12-2010
		US 2008160465 A1	03-07-2008
		US 2008160468 A1	03-07-2008
		US 2010051014 A1	04-03-2010
		WO 2008082864 A1	10-07-2008
		WO 2008082865 A1	10-07-2008
EP 1508001	A1	23-02-2005	
		AT 408789 T	15-10-2008
		AU 2003228001 A1	02-12-2003
		EP 1508001 A1	23-02-2005
		IT T020020101 U1	20-11-2003
		RU 2313726 C2	27-12-2007
		WO 03098107 A1	27-11-2003
US 5628302	A	13-05-1997	
		CA 2172596 A1	22-12-1996
		US 5628302 A	13-05-1997
US 2005056268	A1	17-03-2005	NONE
US 6299436	B1	09-10-2001	
		CA 2307647 A1	29-04-1999
		EP 1036290 A1	20-09-2000
		ES 2230722 T3	01-05-2005
		US 6299436 B1	09-10-2001
		US 6318993 B1	20-11-2001
		WO 9920942 A1	29-04-1999
EP 1880142	A1	23-01-2008	
		AT 491118 T	15-12-2010
		CN 101171456 A	30-04-2008
		EP 1880142 A1	23-01-2008
		ES 2357589 T3	27-04-2011
		US 2010005976 A1	14-01-2010
		WO 2006119798 A1	16-11-2006