

(19) World Intellectual Property Organization
International Bureau



(43) International Publication Date
16 July 2009 (16.07.2009)

(10) International Publication Number
WO 2009/089307 A3

(51) International Patent Classification:
H02G 3/00 (2006.01) *F16L 3/02* (2006.01)

Evans, II. [US/US]; 4510 Edgemont Drive, Austin, TX 78731 (US).

(21) International Application Number:
PCT/US2009/030369

(74) Agents: **WRIGHT, James** et al.; Tillman Wright, PLLC, PO Box 471581, Charlotte, North Carolina 28247 (US).

(22) International Filing Date:
7 January 2009 (07.01.2009)

(81) Designated States (unless otherwise indicated, for every kind of national protection available): AE, AG, AL, AM, AO, AT, AU, AZ, BA, BB, BG, BH, BR, BW, BY, BZ, CA, CH, CN, CO, CR, CU, CZ, DE, DK, DM, DO, DZ, EC, EE, EG, ES, FI, GB, GD, GE, GH, GM, GT, HN, HR, HU, ID, IL, IN, IS, JP, KE, KG, KM, KN, KP, KR, KZ, LA, LC, LK, LR, LS, LT, LU, LY, MA, MD, ME, MG, MK, MN, MW, MX, MY, MZ, NA, NG, NI, NO, NZ, OM, PG, PH, PL, PT, RO, RS, RU, SC, SD, SE, SG, SK, SL, SM, ST, SV, SY, TJ, TM, TN, TR, TT, TZ, UA, UG, US, UZ, VC, VN, ZA, ZM, ZW.

(25) Filing Language: English

(26) Publication Language: English

(30) Priority Data:
61/019,596 7 January 2008 (07.01.2008) US
61/019,592 7 January 2008 (07.01.2008) US
61/020,741 13 January 2008 (13.01.2008) US

(71) Applicant (for all designated States except US):
CHATSWORTH PRODUCTS, INC. [US/US]; 31425 Agoura Road, Westlake Village, CA 91361-4614 (US).

(84) Designated States (unless otherwise indicated, for every kind of regional protection available): ARIPO (BW, GH, GM, KE, LS, MW, MZ, NA, SD, SL, SZ, TZ, UG, ZM, ZW), Eurasian (AM, AZ, BY, KG, KZ, MD, RU, TJ, TM), European (AT, BE, BG, CH, CY, CZ, DE, DK, EE, ES, FI, FR, GB, GR, HR, HU, IE, IS, IT, LT, LU, LV, MC, MK, MT, NL, NO, PL, PT, RO, SE, SI, SK, TR),

(72) Inventors; and
(75) Inventors/Applicants (for US only): **HATHCOCK, Mary** [US/US]; 265 Juanita Lane, New Bern, NC 28560 (US). **DONOWHO, D., Brian** [US/US]; 8402 Delavan Avenue, Austin, TX 78717 (US). **LEWIS, Richard,**

[Continued on next page]

(54) Title: REPOSITIONABLE SHELF-MOUNTED HANDLE SPOOL ASSEMBLY FOR CABLE ROUTING

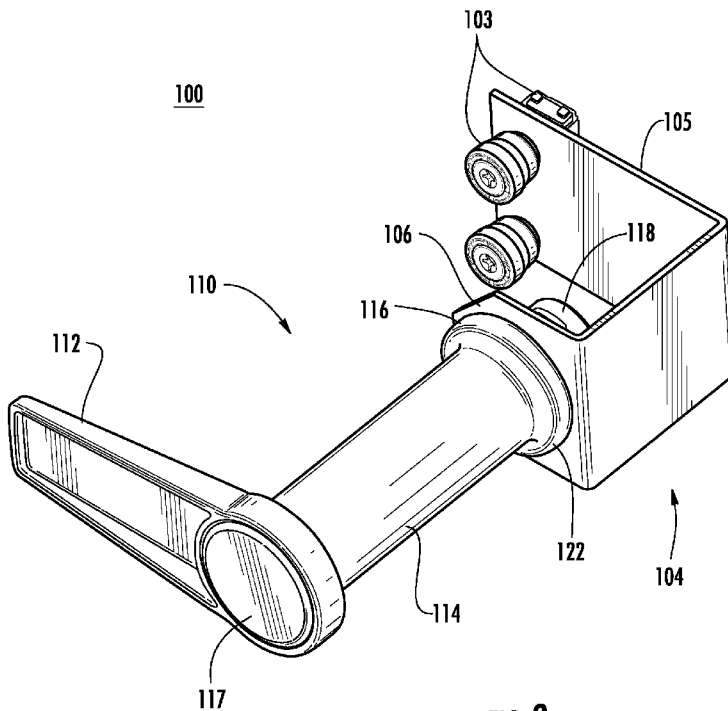


FIG. 3

(57) Abstract: A repositionable shelf-mounted handle spool assembly for cable routing includes a mounting bracket and a repositionable spool coupled thereto. The mounting bracket has a primary mounting plate and a shelf, having an opening, that is parallel to but spaced apart from the primary mounting plate. The repositionable spool includes a base having a stub for repositionably coupling with the opening in the shelf, a cylindrical shaft extending from the base, and a gate arm mounted perpendicularly to the cylindrical shaft. The base may be repositioned relative to the mounting structure via the stub.



WO 2009/089307 A3

OAPI (BF, BJ, CF, CG, CI, CM, GA, GN, GQ, GW, ML,
MR, NE, SN, TD, TG).

— *before the expiration of the time limit for amending the
claims and to be republished in the event of receipt of
amendments (Rule 48.2(h))*

Published:

— *with international search report (Art. 21(3))*

(88) Date of publication of the international search report:
3 December 2009

A. CLASSIFICATION OF SUBJECT MATTER***H02G 3/00(2006.01)i, F16L 3/02(2006.01)i***

According to International Patent Classification (IPC) or to both national classification and IPC

B. FIELDS SEARCHED

Minimum documentation searched (classification system followed by classification symbols)

IPC8 H02G 3/00, A47F 7/00, G02B 6/00, B45H 75/38

Documentation searched other than minimum documentation to the extent that such documents are included in the fields searched

Korean Utility models and applications for Utility models since 1975

Japanese Utility models and applications for Utility models since 1975

Electronic data base consulted during the international search (name of data base and, where practicable, search terms used)

PAJ, FPD, USPAT, eKIPASS "Keyword: cable, manager, guide, spool, repositionable"

C. DOCUMENTS CONSIDERED TO BE RELEVANT

Category*	Citation of document, with indication, where appropriate, of the relevant passages	Relevant to claim No.
X	US 2004-0094491 A1 (TREVOR D. SMITH et al.) 20 May 2004 See the abstract; claim 1; figures 1-2.	18-20
A		1-17, 21-40
A	US 2006-0171651 A1 (ERIK LAURSEN) 03 August 2006 See the abstract; claim 1; figure 5.	1-40
A	US 6,964,588 B2 (MICHAEL JAY FOLLINGSTAD et al.) 15 November 2005 See the abstract; claim 1; figures 1, 12, 13.	1-40
A	US 6,398,149 B1 (MICHAEL J. HINES et al.) 04 June 2002 See the abstract; claim 1; figure 2.	1-40

 Further documents are listed in the continuation of Box C. See patent family annex.

* Special categories of cited documents:

"A" document defining the general state of the art which is not considered to be of particular relevance

"E" earlier application or patent but published on or after the international filing date

"L" document which may throw doubts on priority claim(s) or which is cited to establish the publication date of citation or other special reason (as specified)

"O" document referring to an oral disclosure, use, exhibition or other means

"P" document published prior to the international filing date but later than the priority date claimed

"T" later document published after the international filing date or priority date and not in conflict with the application but cited to understand the principle or theory underlying the invention

"X" document of particular relevance; the claimed invention cannot be considered novel or cannot be considered to involve an inventive step when the document is taken alone

"Y" document of particular relevance; the claimed invention cannot be considered to involve an inventive step when the document is combined with one or more other such documents, such combination being obvious to a person skilled in the art

"&" document member of the same patent family

Date of the actual completion of the international search

09 OCTOBER 2009 (09.10.2009)

Date of mailing of the international search report

12 OCTOBER 2009 (12.10.2009)

Name and mailing address of the ISA/KR

Korean Intellectual Property Office
Government Complex-Daejeon, 139 Seonsa-ro, Seo-
gu, Daejeon 302-701, Republic of Korea

Facsimile No. 82-42-472-7140

Authorized officer

WEE Jae Woo

Telephone No. 82-42-481-8540



INTERNATIONAL SEARCH REPORT

Information on patent family members

International application No.

PCT/US2009/030369

Patent document cited in search report	Publication date	Patent family member(s)	Publication date
US 2004-0094491 A1	20.05.2004	AU 2003-290905 A1 CA 2505858 A1 CN 1711780 A EP 1563693 A2 PA 05005090 A US 2008-0116153 A1 US 2006-0237377 A1 US 07083051 B2 US 07331473 B2 US 07513374 B2 WO 2004-047462 A2 WO 2004-047462 A3	12.11.2003 03.06.2004 21.12.2005 17.08.2005 01.07.2005 22.05.2008 26.10.2006 01.08.2006 19.02.2008 07.04.2009 03.06.2004 03.06.2004
US 2006-171651 A1	03.08.2006	US 07431610 B2 US 2008-311786 A1	07.10.2008 18.12.2008

INTERNATIONAL SEARCH REPORT

Information on patent family members

International application No.

PCT/US2009/030369

Patent document cited in search report	Publication date	Patent family member(s)	Publication date		
US 06964588 B2	15.11.2005	AT 376750 T	15.11.2007		
		AU 759139 B2	03.04.2003		
		AU 759139 C	04.12.2003		
		AU 2000-24032 A1	03.01.2000		
		AU 2403200 A	01.08.2000		
		BR 0007466 A	30.10.2001		
		CA 2360798 A1	20.07.2000		
		CA 2360798 C	17.03.2009		
		CA 2646467 A1	20.07.2000		
		CN 1340276 A	13.03.2002		
		CN 1190086 C	16.02.2005		
		DE 60036855 D1	06.12.2007		
		DE 60036855 T2	31.07.2008		
		EP 1142348 A1	10.10.2001		
		EP 1858265 A2	21.11.2007		
		EP 1142348 B1	24.10.2007		
		ES 2291185 T3	01.03.2008		
		HK 1045430 A1	15.07.2005		
		HU 0105031 A2	29.05.2002		
		IL 144211 D0	23.05.2002		
		JP 2002-535952 A	22.10.2002		
		KR 10-2001-0101444 A	14.11.2001		
		NO 20013428 D0	10.07.2001		
		NO 20013428 A	07.09.2001		
		NZ 513326 A	20.12.2002		
		TW 463439 A	11.11.2001		
		US 2007-0249237 A1	25.10.2007		
		US 2006-0029354 A1	09.02.2006		
		US 06468112 B1	22.10.2002		
		US 06918796 B2	19.07.2005		
		US 07220150 B2	22.05.2007		
		US 07381100 B2	03.06.2008		
		US 2003-0008568 A1	09.01.2003		
		US 2003-0119385 A1	26.06.2003		
		WO 2000-042780 A1	20.07.2000		
		ZA 200106241 A	27.09.2002		
		US 06398149 B1	04.06.2002	None	