



US00D400784S

United States Patent [19]
Cummings et al.

[11] **Patent Number: Des. 400,784**
[45] **Date of Patent: **Nov. 10, 1998**

- [54] **CONTAINER**
- [75] Inventors: **Bruce Cummings**, New York, N.Y.;
Daniel J. Durham, Toledo, Ohio;
Donald Losier, Chester, N.J.
- [73] Assignee: **Colgate-Palmolive Company**, New York, N.Y.
- [**] Term: **14 Years**
- [21] Appl. No.: **76,908**
- [22] Filed: **Sep. 24, 1997**
- [51] **LOC (6) Cl.** **09-01**
- [52] **U.S. Cl.** **D9/300**
- [58] **Field of Search** D9/300, 301, 302,
D9/503, 504, 529, 539, 542, 556, 569,
573, 574; 215/382, 384; 222/153.1, 153.11,
153.12, 212, 213, 544, 545, 546, 553, 556,
557

- D. 310,632 9/1990 Hutton D9/556
- D. 317,121 5/1991 Crawford et al. D9/447 X
- D. 324,998 3/1992 Klapwald D9/447 X
- D. 352,663 11/1994 Suxdorf D9/573
- D. 373,536 9/1996 Kokenge et al. D9/529
- 5,123,561 6/1992 Gross 222/153.1 X

Primary Examiner—Jeffrey Asch
Assistant Examiner—Cathron B. Matta
Attorney, Agent, or Firm—Michael Mcgreal

[57] **CLAIM**

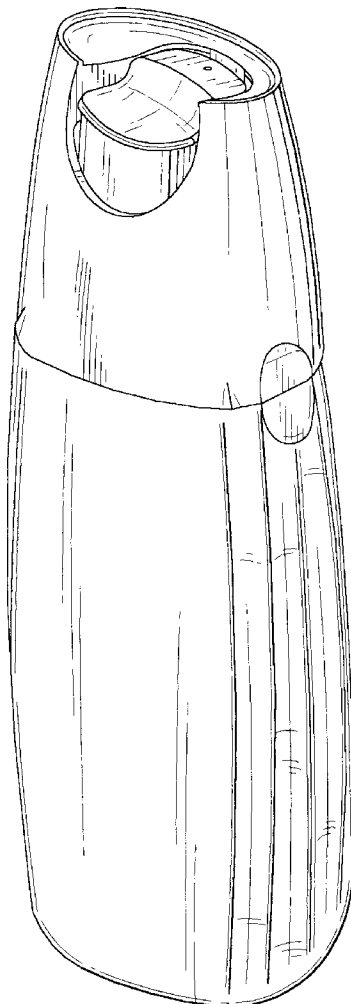
The ornamental design for a container, as shown and described.

DESCRIPTION

FIG. 1 is a perspective view of our design for a container; FIG. 2 is a right side elevation view thereof; FIG. 3 is a left side elevation view thereof; FIG. 4 is a front elevation view thereof; FIG. 5 is a rear elevation view thereof; FIG. 6 is a top plan view thereof; and, FIG. 7 is a bottom plan view thereof.

- [56] **References Cited**
U.S. PATENT DOCUMENTS
D. 234,076 1/1975 Peterson D9/544

1 Claim, 4 Drawing Sheets



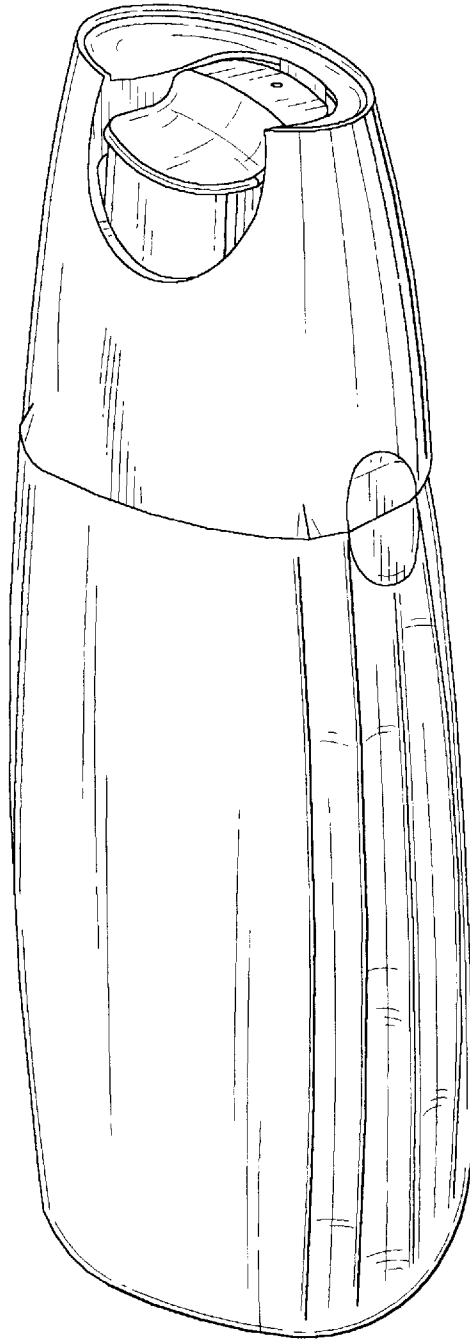


FIG. 1

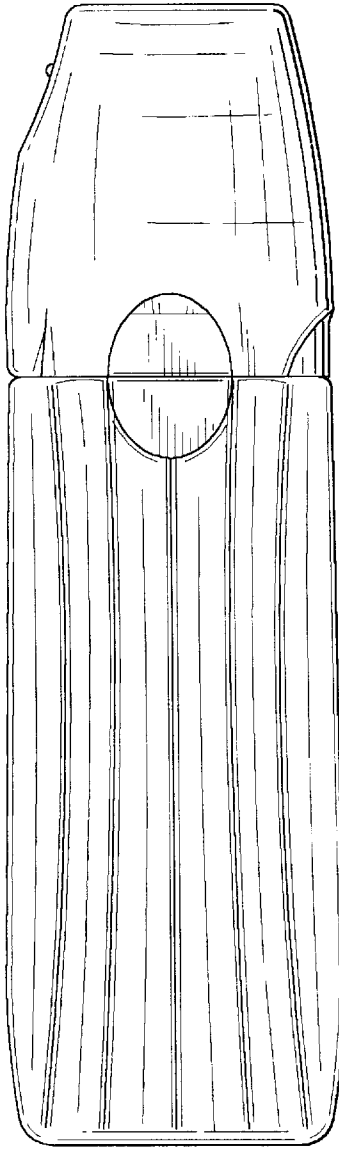


FIG. 2

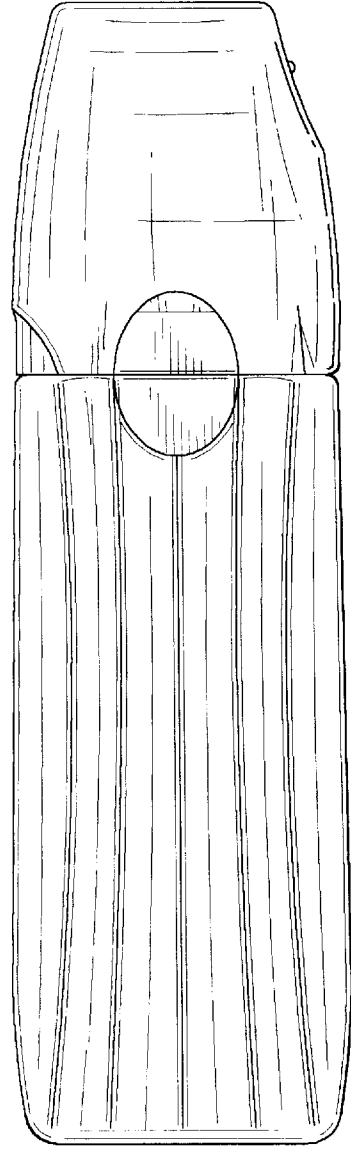


FIG. 3

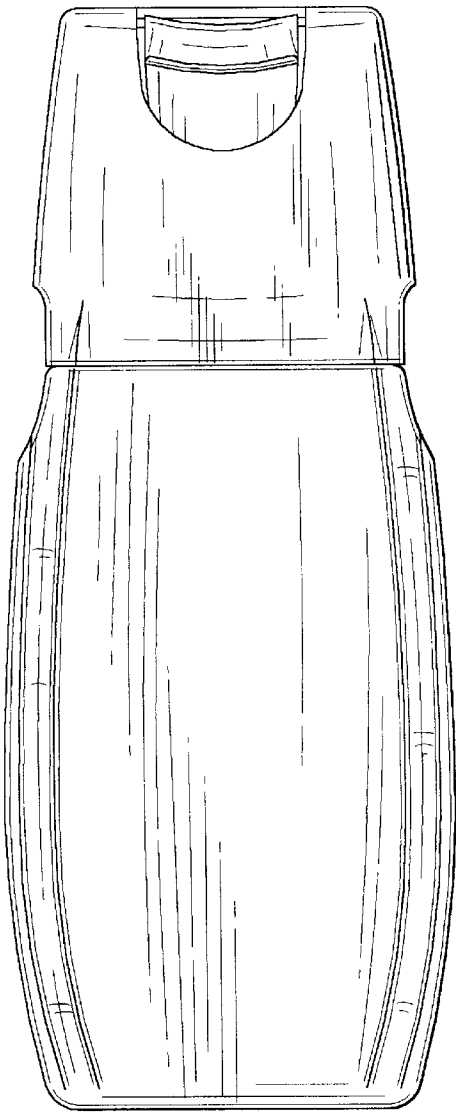


FIG. 4

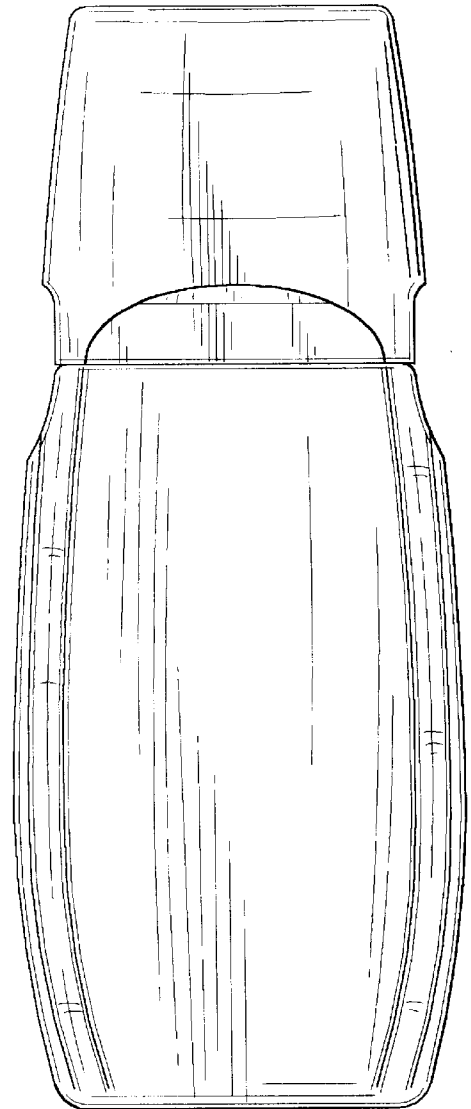


FIG. 5

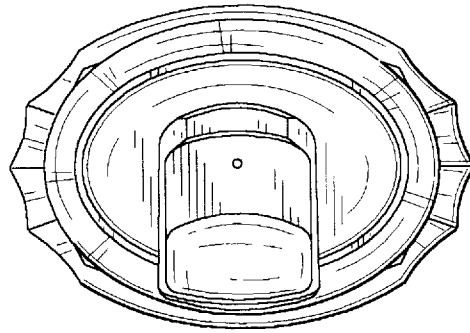


FIG. 6

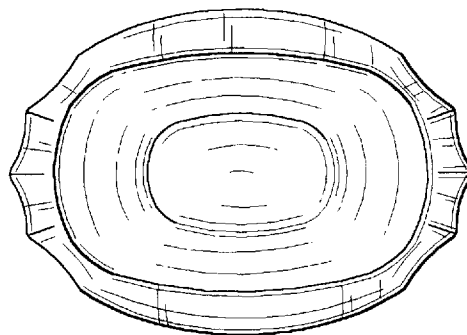


FIG. 7