



US00D613182S

(12) **United States Design Patent**
Fell et al.

(10) **Patent No.:** **US D613,182 S**
(45) **Date of Patent:** **** Apr. 6, 2010**

(54) **PACKAGING FOR CIGARETTE PACKS,
BOXED ARTICLES OR PLAYING CARDS**

D601,435 S 10/2009 Fell et al.

(75) Inventors: **John Fell**, Cumbria (GB); **Barry Frizell**,
Cumbria (GB); **Wolfgang Zimmerer**,
Cumbria (GB)

OTHER PUBLICATIONS
U.S. Appl. No. 12/353,478, filed Jan. 12, 2009, Fell et al.
U.S. Appl. No. 29/333,763, filed Mar. 13, 2009, Frizell et al.
U.S. Appl. No. 29/333,750, filed Mar. 13, 2009, Fell et al.
U.S. Appl. No. 12/598,761, filed Nov. 3, 2009, Hewitt et al.
U.S. Appl. No. 12/601,246, filed Nov. 20, 2009, Marshall et al.

(73) Assignee: **Innovia Films Limited** (GB)

* cited by examiner

(**) Term: **14 Years**

Primary Examiner—Caron Veynar

(21) Appl. No.: **29/333,756**

Assistant Examiner—Abraham Bahta

(22) Filed: **Mar. 13, 2009**

(74) *Attorney, Agent, or Firm*—Knobbe, Martens, Olson &
Bear, LLP

(30) **Foreign Application Priority Data**

(57) **CLAIM**

Dec. 18, 2008 (EM) 001059158-0003

The ornamental design for packaging for cigarette packs,
boxed articles or playing cards, as shown and described.

(51) **LOC (9) Cl.** **09-05**

(52) **U.S. Cl.** **D9/713**

(58) **Field of Classification Search** D9/430–433,
D9/423, 425, 713–714, 414, 424; 206/265,
206/236; 229/160.1, 87.13, 160.2, 125.19,
229/120.08; D27/183–191

DESCRIPTION

FIG. 1 is a left front perspective view of the packaging for
cigarette packs, boxed articles or playing cards showing our
new design;

See application file for complete search history.

FIG. 2 is a top view thereof;

FIG. 3 is front side view thereof; and,

FIG. 4 is a left end view thereof.

(56) **References Cited**

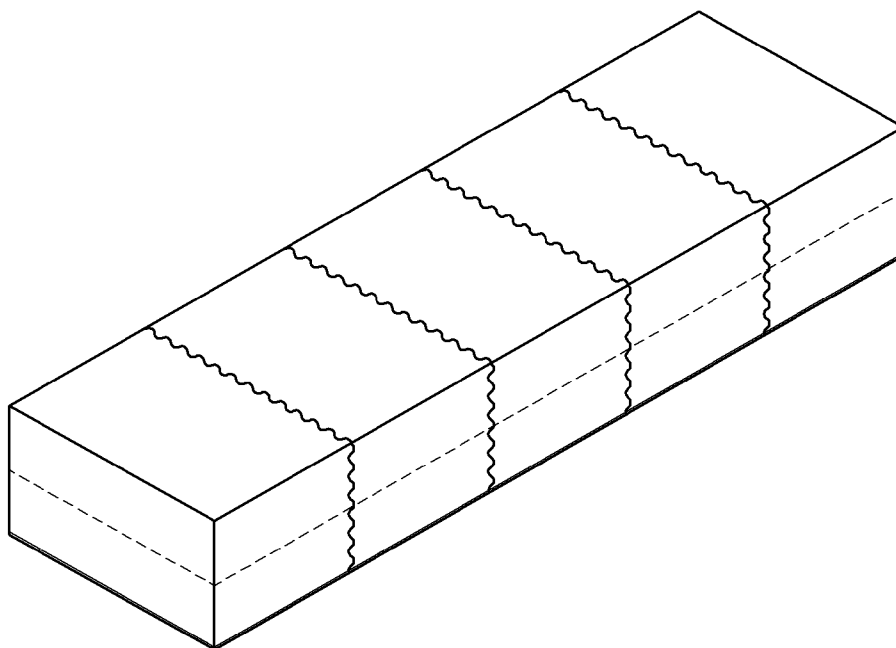
U.S. PATENT DOCUMENTS

- D266,224 S * 9/1982 Bronander, Jr. D9/721
- D427,369 S * 6/2000 Bowen et al. D27/189
- 7,377,384 B2 * 5/2008 Mitten et al. 206/256
- D592,525 S 5/2009 Maude et al.
- D592,526 S 5/2009 Maude et al.
- D594,742 S * 6/2009 Meier et al. D9/432

The broken lines shown in the drawing are included for the
purpose of illustrating features of the packaging for cigarette
packs, boxed articles or playing cards that form no part of the
claimed design.

The rear, bottom and right views are not part of the claimed
design.

1 Claim, 2 Drawing Sheets



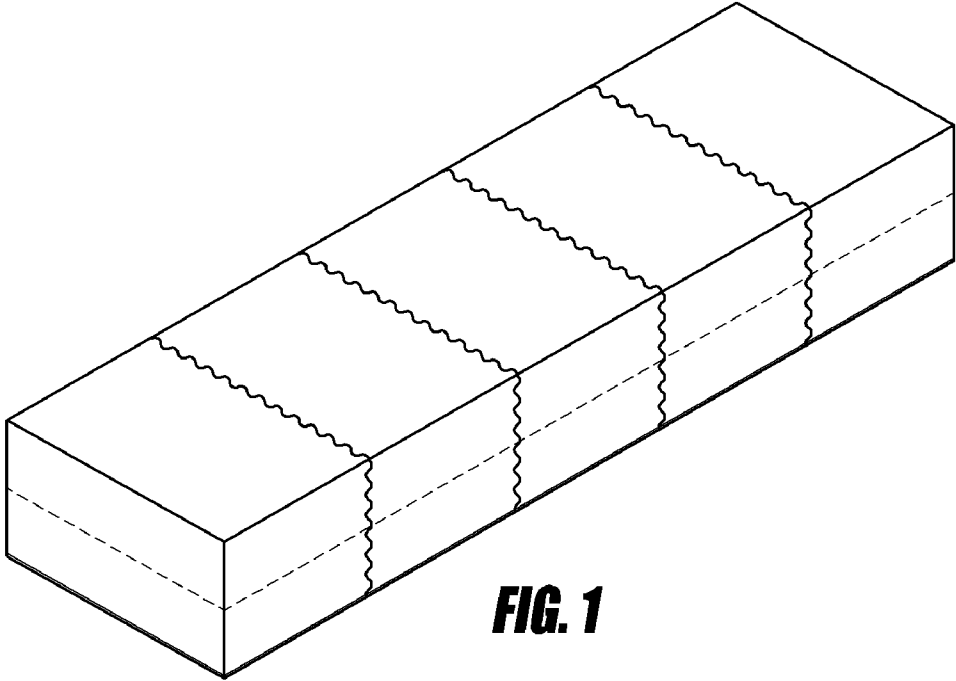


FIG. 1

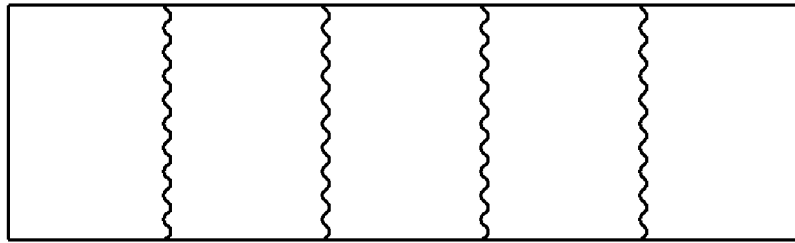


FIG. 2

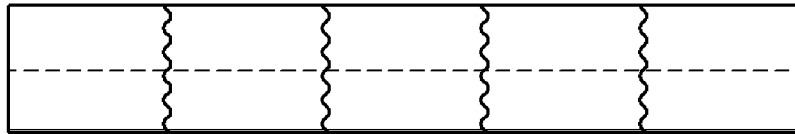


FIG. 3



FIG. 4