



US00D377739S

United States Patent [19]
Carlson

[11] **Patent Number:** **Des. 377,739**

[45] **Date of Patent:** ****Feb. 4, 1997**

[54] **CONTAINER**

[75] Inventor: **Arthur R. Carlson**, East Hawthorn,
Australia

[73] Assignee: **The Decor Corporation Pty Ltd.**,
Victoria, Australia

[**] Term: **14 Years**

[21] Appl. No.: **40,693**

[22] Filed: **Jun. 23, 1995**

[30] **Foreign Application Priority Data**

Dec. 23, 1994 [AU] Australia 4318/94

[52] **U.S. Cl.** **D7/602; D9/425**

[58] **Field of Search** D7/538-549, 602,
D7/614-615, 629; D9/424, 425, 430; 206/505,
507, 514, 515; 220/574, 657, 669, 675

[56] **References Cited**

U.S. PATENT DOCUMENTS

D. 281,048	10/1985	Wolff	D7/602
D. 282,808	3/1986	Daenen et al.	D7/602
D. 332,204	1/1993	Carlson	D7/629
3,521,788	7/1970	Kandel et al.	229/403 X

OTHER PUBLICATIONS

Tupperware, 1986, p. 21, Loaf Keeper 284.
Tupperware, 1986 p. 19, Bacon Keeper 269.

Primary Examiner—Terry A. Wallace
Attorney, Agent, or Firm—Thompson Hine & Flory P.L.L.

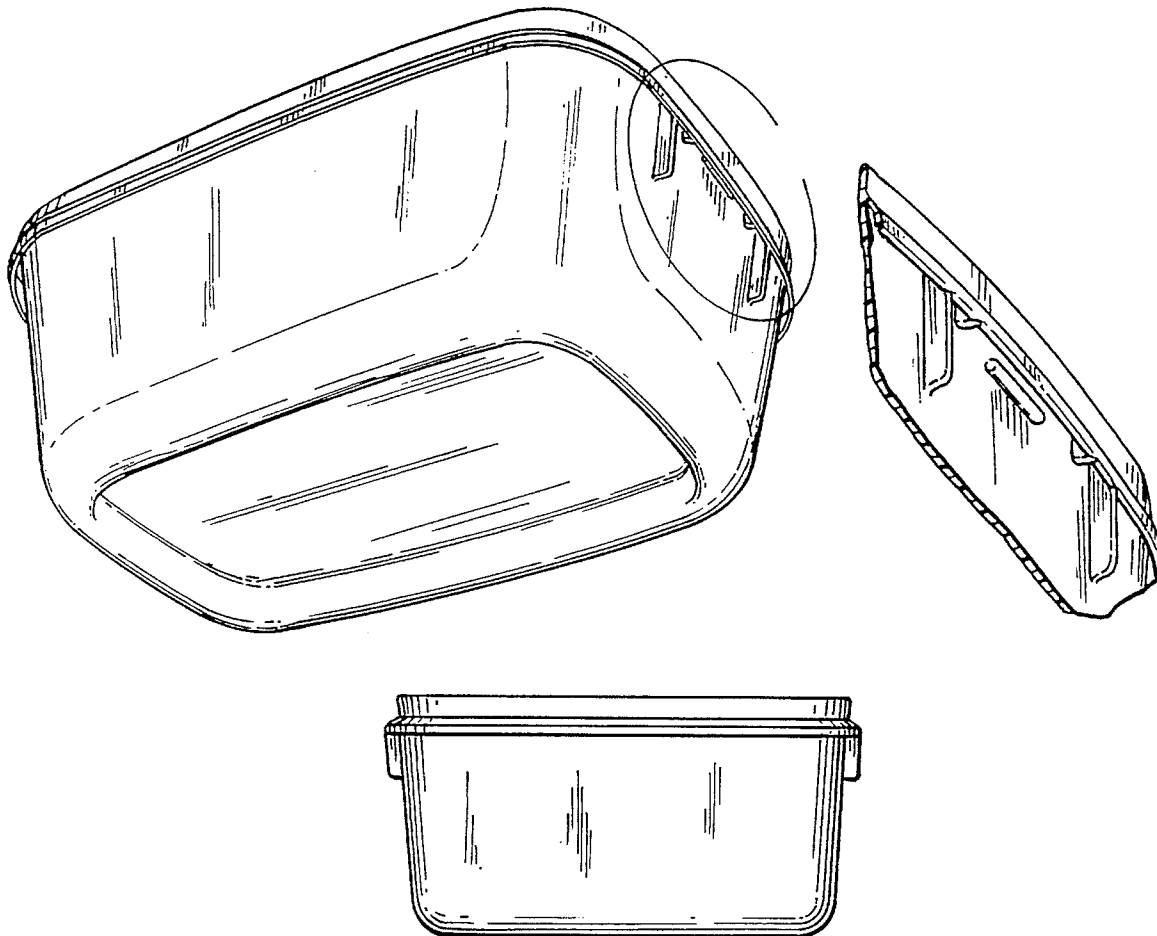
[57] **CLAIM**

The ornamental design for a container, as shown and described.

DESCRIPTION

FIG. 1 is a perspective view from below of a container showing my new design;
FIG. 2 is an enlarged fragmentary perspective view thereof, showing a portion of the rim;
FIG. 3 is a top plan view thereof;
FIG. 4 is a side elevational view thereof, the opposite side being identical thereto;
FIG. 5 is a front elevational view thereof, the rear elevational view being identical thereto;
FIG. 6 is a bottom plan view thereof; and,
FIG. 7 is a cross-sectional view taken along line 7—7 of FIG. 3.

1 Claim, 3 Drawing Sheets



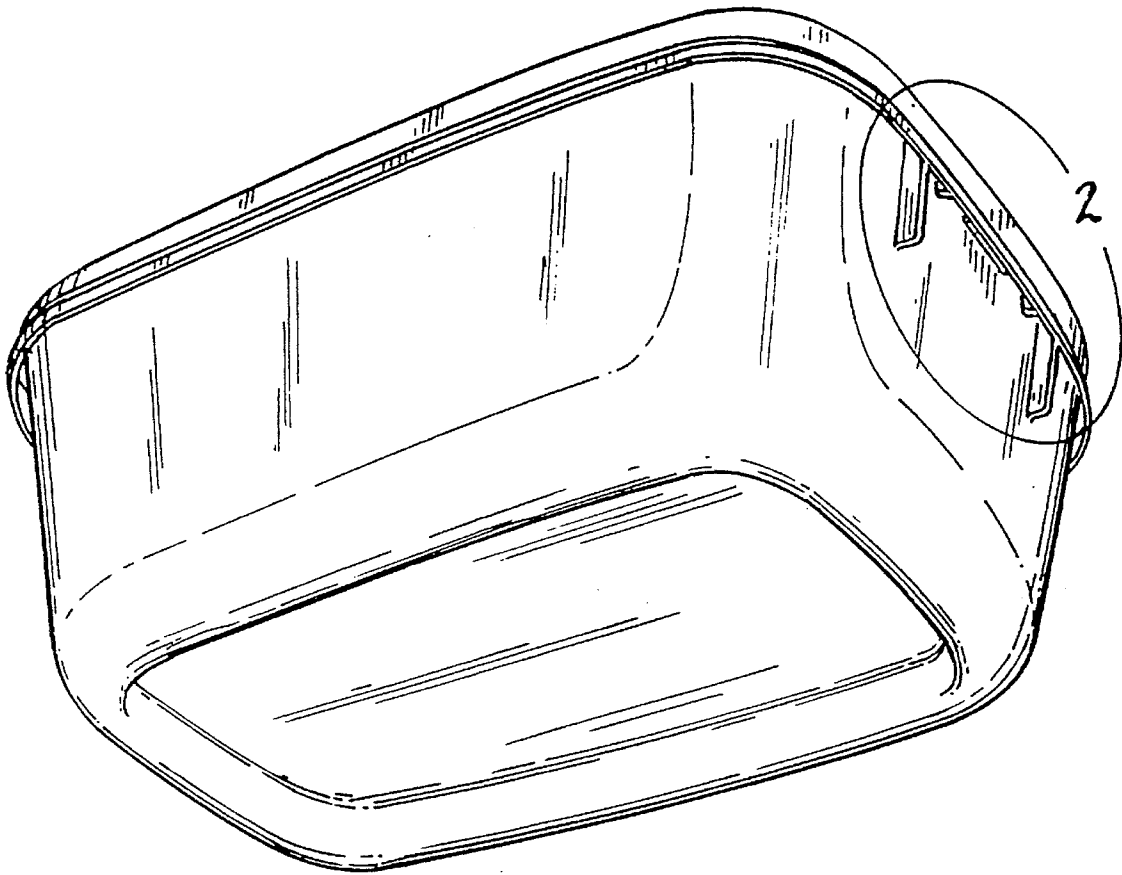


FIG. 1.

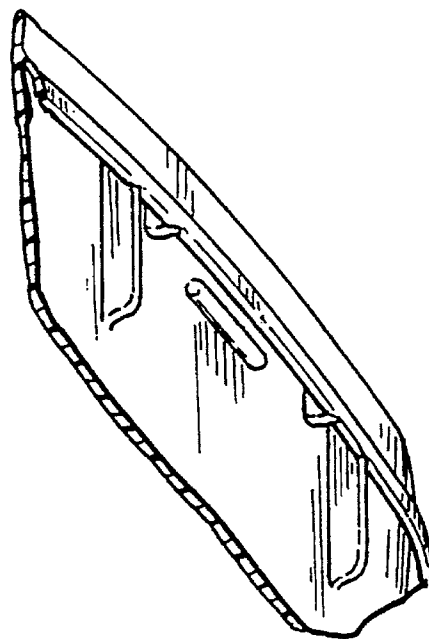


FIG. 2.

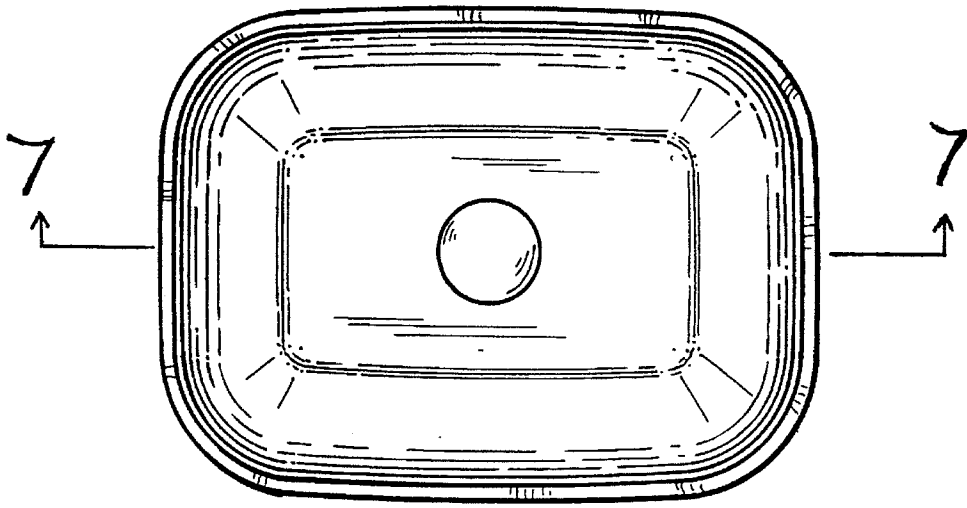


FIG. 3.

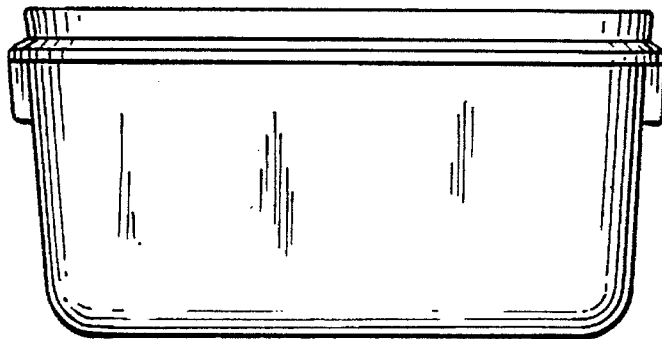


FIG. 4.

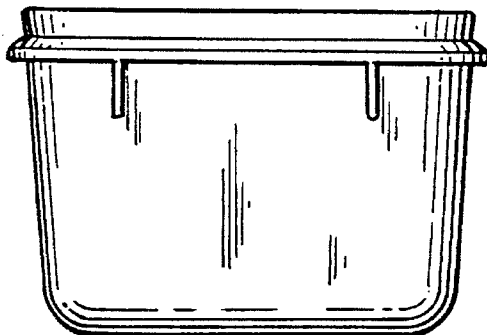


FIG. 5.

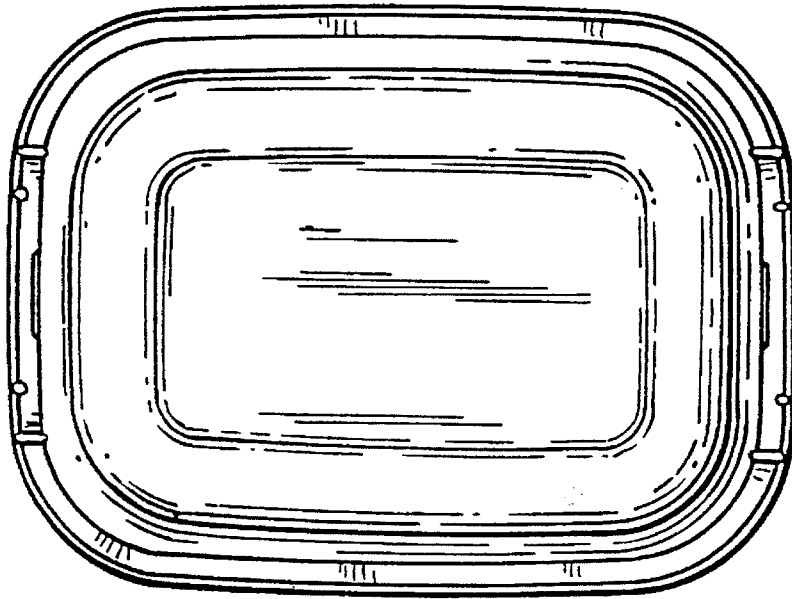


FIG. 6.

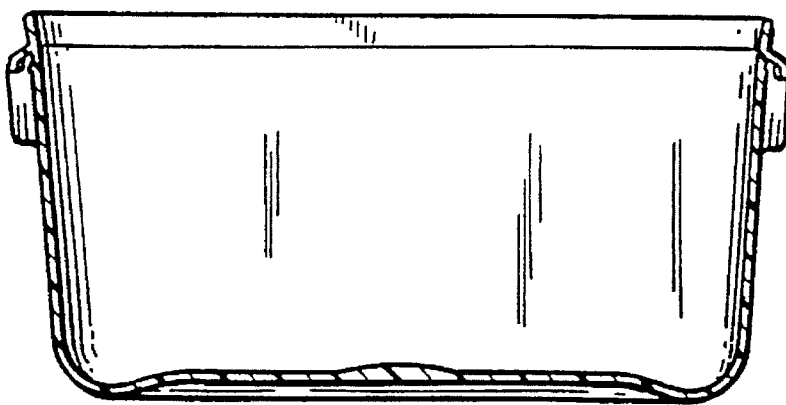


FIG. 7.