

(19) World Intellectual Property Organization
International Bureau



(43) International Publication Date
6 August 2009 (06.08.2009)

PCT

(10) International Publication Number
WO 2009/095848 A3

(51) International Patent Classification:
H03K 17/955 (2006.01) *H03K 17/96* (2006.01)

(21) International Application Number:
PCT/IB2009/050319

(22) International Filing Date:
27 January 2009 (27.01.2009)

(25) Filing Language: English

(26) Publication Language: English

(30) Priority Data:
08101062.1 29 January 2008 (29.01.2008) EP

(71) Applicant (for DE only): PHILIPS INTELLECTUAL
PROPERTY & STANDARDS GMBH [DE/DE];
Lübeckertordamm 5, 20099 Hamburg (DE).

(71) Applicant (for all designated States except DE, US):
KONINKLIJKE PHILIPS ELECTRONICS N. V.
[NL/NL]; Groenewoudseweg 1, NL-5621 BA Eindhoven
(NL).

(72) Inventor; and

(75) Inventor/Applicant (for US only): HENTE, Dirk
[DE/DE]; c/o High Tech Campus 44, NL-5656 AE Eindh-
hoven (NL).

(74) Agents: UITTENBOGAARD, Frank et al.; High Tech
Campus 44, NL-5656 AE Eindhoven (NL).

(81) Designated States (unless otherwise indicated, for every
kind of national protection available): AE, AG, AL, AM,
AO, AT, AU, AZ, BA, BB, BG, BH, BR, BW, BY, BZ,
CA, CH, CN, CO, CR, CU, CZ, DE, DK, DM, DO, DZ,
EC, EE, EG, ES, FI, GB, GD, GE, GH, GM, GT, HN,
HR, HU, ID, IL, IN, IS, JP, KE, KG, KM, KN, KP, KR,
KZ, LA, LC, LK, LR, LS, LT, LU, LY, MA, MD, ME,
MG, MK, MN, MW, MX, MY, MZ, NA, NG, NI, NO,
NZ, OM, PG, PH, PL, PT, RO, RS, RU, SC, SD, SE, SG,
SK, SL, SM, ST, SV, SY, TJ, TM, TN, TR, TT, TZ, UA,
UG, US, UZ, VC, VN, ZA, ZM, ZW.

(84) Designated States (unless otherwise indicated, for every
kind of regional protection available): ARIPO (BW, GH,
GM, KE, LS, MW, MZ, NA, SD, SL, SZ, TZ, UG, ZM,
ZW), Eurasian (AM, AZ, BY, KG, KZ, MD, RU, TJ,
TM), European (AT, BE, BG, CH, CY, CZ, DE, DK, EE,
ES, FI, FR, GB, GR, HR, HU, IE, IS, IT, LT, LU, LV,
MC, MK, MT, NL, NO, PL, PT, RO, SE, SI, SK, TR),
OAPI (BF, BJ, CF, CG, CI, CM, GA, GN, GQ, GW, ML,
MR, NE, SN, TD, TG).

Published:

- with international search report (Art. 21(3))
- before the expiration of the time limit for amending the
claims and to be republished in the event of receipt of
amendments (Rule 48.2(h))

(88) Date of publication of the international search report:
24 September 2009

(54) Title: OLED ILLUMINATION DEVICE WITH INTEGRATED PROXIMITY SENSOR

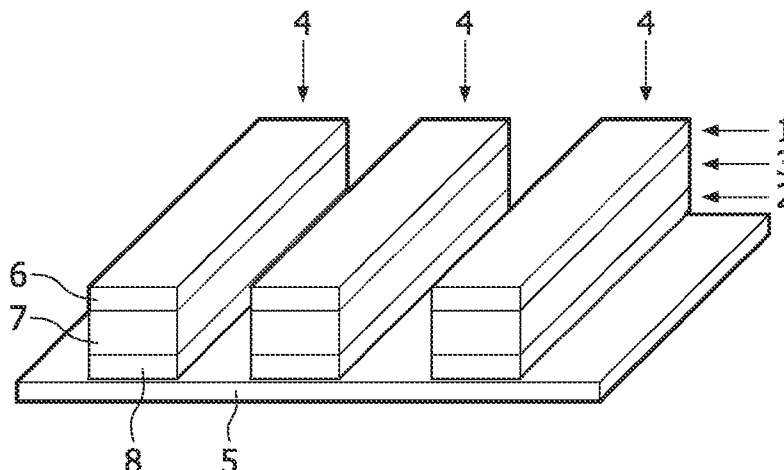


FIG. 1

(57) Abstract: The invention concerns an OLED device with a cathode 1, an anode 2 and an active stack 3, wherein the anode 1 is segmented into a plurality of anode segments 8 each defining an OLED segment 4. Further, a capacitance measuring unit 12 is provided which is arranged for measuring a plurality of capacitance coefficients between two anode segments 8 and/or between an anode segment 8 and surrounding earth, respectively. This way, an OLED device for illumination purposes with a reliable proximity sensing function is achieved.



WO 2009/095848 A3

INTERNATIONAL SEARCH REPORT

International application No
PCT/IB2009/050319

A. CLASSIFICATION OF SUBJECT MATTER INV. H03K17/955 H03K17/96		
According to International Patent Classification (IPC) or to both national classification and IPC		
B. FIELDS SEARCHED		
Minimum documentation searched (classification system followed by classification symbols) H03K G06F		
Documentation searched other than minimum documentation to the extent that such documents are included in the fields searched		
Electronic data base consulted during the international search (name of data base and, where practical, search terms used) EPO-Internal, WPI Data, COMPENDEX, INSPEC		
C. DOCUMENTS CONSIDERED TO BE RELEVANT		
Category*	Citation of document, with indication, where appropriate, of the relevant passages	Relevant to claim No.
X	EP 1 589 407 A (SONY ERICSSON MOBILE COMM AB [SE]) 26 October 2005 (2005-10-26) abstract figures 1-6 paragraphs [0001], [0009], [0011], [0029], [0031] - [0033], [0037] - [0041] claims 1-3,9-11	1-9
A	EP 1 251 455 A (HEWLETT PACKARD CO [US]) 23 October 2002 (2002-10-23) abstract paragraphs [0008] - [0010] figures 6-13	4,6-9
----- -/--		
<input checked="" type="checkbox"/> Further documents are listed in the continuation of Box C. <input checked="" type="checkbox"/> See patent family annex.		
* Special categories of cited documents :		
A document defining the general state of the art which is not considered to be of particular relevance *E* earlier document but published on or after the international filing date *L* document which may throw doubts on priority claim(s) or which is cited to establish the publication date of another citation or other special reason (as specified) *O* document referring to an oral disclosure, use, exhibition or other means *P* document published prior to the international filing date but later than the priority date claimed	*T* later document published after the international filing date or priority date and not in conflict with the application but cited to understand the principle or theory underlying the invention *X* document of particular relevance; the claimed invention cannot be considered novel or cannot be considered to involve an inventive step when the document is taken alone *Y* document of particular relevance; the claimed invention cannot be considered to involve an inventive step when the document is combined with one or more other such documents, such combination being obvious to a person skilled in the art. *&* document member of the same patent family	
Date of the actual completion of the international search	Date of mailing of the international search report	
14 July 2009	24/07/2009	
Name and mailing address of the ISA/ European Patent Office, P.B. 5818 Patentlaan 2 NL - 2280 HV Rijswijk Tel. (+31-70) 340-2040. Fax: (+31-70) 340-3016	Authorized officer Mouanda, Thierry	

INTERNATIONAL SEARCH REPORT

International application No
PCT/IB2009/050319

C(Continuation). DOCUMENTS CONSIDERED TO BE RELEVANT		
Category*	Citation of document, with indication, where appropriate, of the relevant passages	Relevant to claim No.
A	<p>YONG-SOO LEE ET AL: "Dielectric phenomena of an organic light emitting diode" MOLECULAR CRYSTALS AND LIQUID CRYSTALS SCIENCE AND TECHNOLOGY. SECTION A. MOLECULAR CRYSTALS AND LIQUID CRYSTALS, GORDON AND BREACH PUBLISHERS, CH, CH, vol. 370, 1 January 2001 (2001-01-01), pages 73-76, XP008106570 ISSN: 1058-725X the whole document -----</p>	2

INTERNATIONAL SEARCH REPORT

Information on patent family members

International application No

PCT/IB2009/050319

Patent document cited in search report	Publication date	Patent family member(s)	Publication date
EP 1589407	A	26-10-2005	AT 375544 T 15-10-2007
			CN 1947086 A 11-04-2007
			DE 602004009408 T2 17-07-2008
			WO 2005103864 A2 03-11-2005
			JP 2007534070 T 22-11-2007
			KR 20070011524 A 24-01-2007
			US 2008036746 A1 14-02-2008
EP 1251455	A	23-10-2002	DE 60212490 T2 11-01-2007
			JP 4105884 B2 25-06-2008
			JP 2002312116 A 25-10-2002
			US 2004027341 A1 12-02-2004
			US 2002145594 A1 10-10-2002