

(19) World Intellectual Property Organization
International Bureau



(43) International Publication Date
24 January 2008 (24.01.2008)

PCT

(10) International Publication Number
WO 2008/011069 A3

- (51) International Patent Classification:
F01M 1/04 (2006.01)
- (21) International Application Number:
PCT/US2007/016306
- (22) International Filing Date: 19 July 2007 (19.07.2007)
- (25) Filing Language: English
- (26) Publication Language: English
- (30) Priority Data:
60/831,919 20 July 2006 (20.07.2006) US
- (71) Applicant (for all designated States except US): **LIQUID COMBUSTION TECHNOLOGY, LLC** [US/US]; P.O. Box 1553, 315 Hawkins Road, Travelers Rest, SC 29690 (US).
- (72) Inventor; and
- (75) Inventor/Applicant (for US only): **GLASS, Douglas, Lloyd** [US/US]; 11 Taunya Lane, Travelers Rest, SC 29690 (US).
- (74) Agent: **GARRETT, Arthur, S.**; Finnegan, Henderson, Farabow, Garrett & Dunner, L.L.P., 901 New York Avenue, NW, Washington, DC 2001-4415 (US).
- (81) Designated States (unless otherwise indicated, for every kind of national protection available): AE, AG, AL, AM,

AT, AU, AZ, BA, BB, BG, BH, BR, BW, BY, BZ, CA, CH, CN, CO, CR, CU, CZ, DE, DK, DM, DO, DZ, EC, EE, EG, ES, FI, GB, GD, GE, GH, GM, GT, HN, HR, HU, ID, IL, IN, IS, JP, KE, KG, KM, KN, KP, KR, KZ, LA, LC, LK, LR, LS, LT, LU, LY, MA, MD, ME, MG, MK, MN, MW, MX, MY, MZ, NA, NG, NI, NO, NZ, OM, PG, PH, PL, PT, RO, RS, RU, SC, SD, SE, SG, SK, SL, SM, SV, SY, TJ, TM, TN, TR, TT, TZ, UA, UG, US, UZ, VC, VN, ZA, ZM, ZW.

(84) Designated States (unless otherwise indicated, for every kind of regional protection available): ARIPO (BW, GH, GM, KE, LS, MW, MZ, NA, SD, SL, SZ, TZ, UG, ZM, ZW), Eurasian (AM, AZ, BY, KG, KZ, MD, RU, TJ, TM), European (AT, BE, BG, CH, CY, CZ, DE, DK, EE, ES, FI, FR, GB, GR, HU, IE, IS, IT, LT, LU, LV, MC, MT, NL, PL, PT, RO, SE, SI, SK, TR), OAPI (BF, BJ, CF, CG, CI, CM, GA, GN, GQ, GW, ML, MR, NE, SN, TD, TG).

Published:

- with international search report
- before the expiration of the time limit for amending the claims and to be republished in the event of receipt of amendments

(88) Date of publication of the international search report:
13 November 2008

(54) Title: A LUBRICATION SYSTEM FOR A CONNECTING ROD

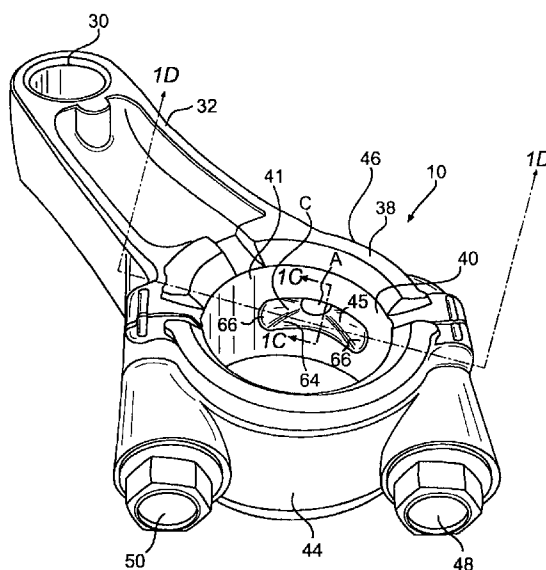


FIG. 1A

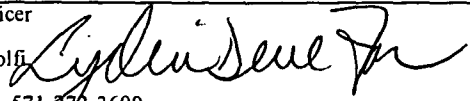
(57) Abstract: A lubrication system comprising a bore including an inlet for receiving lubrication, an outlet for distributing lubrication, and an inner passageway extending between the inlet and outlet is provided. The outlet may be provided with a wider opening than the passageway. The outlet may further include a groove having a radius of curvature, and defined by a pair of flat or curved sidewalls, and a pair of curved end walls each extending toward the inner passageway.

WO 2008/011069 A3

INTERNATIONAL SEARCH REPORT

International application No.

PCT/US07/16306

A. CLASSIFICATION OF SUBJECT MATTER IPC: F01M 1/04(2006.01) USPC: 184/6.5 According to International Patent Classification (IPC) or to both national classification and IPC		
B. FIELDS SEARCHED Minimum documentation searched (classification system followed by classification symbols) U.S. : 184/6.5, 123/41.35 Documentation searched other than minimum documentation to the extent that such documents are included in the fields searched Electronic data base consulted during the international search (name of data base and, where practicable, search terms used)		
C. DOCUMENTS CONSIDERED TO BE RELEVANT		
Category *	Citation of document, with indication, where appropriate, of the relevant passages	Relevant to claim No.
x	US 6,907,848 B2 (Beardmore) 21 June 2005 (21.06.2005) figs 2 and 4, entire document	1-21
<input type="checkbox"/> Further documents are listed in the continuation of Box C.		
<input type="checkbox"/> See patent family annex.		
* Special categories of cited documents:		
"A" document defining the general state of the art which is not considered to be of particular relevance	"T" later document published after the international filing date or priority date and not in conflict with the application but cited to understand the principle or theory underlying the invention	
"E" earlier application or patent published on or after the international filing date	"X" document of particular relevance; the claimed invention cannot be considered novel or cannot be considered to involve an inventive step when the document is taken alone	
"L" document which may throw doubts on priority claim(s) or which is cited to establish the publication date of another citation or other special reason (as specified)	"Y" document of particular relevance; the claimed invention cannot be considered to involve an inventive step when the document is combined with one or more other such documents, such combination being obvious to a person skilled in the art	
"O" document referring to an oral disclosure, use, exhibition or other means	"&" document member of the same patent family	
"P" document published prior to the international filing date but later than the priority date claimed		
Date of the actual completion of the international search 13 August 2008 (13.08.2008)	Date of mailing of the international search report <div style="text-align: center; font-size: 1.2em; font-weight: bold;">12 SEP 2008</div>	
Name and mailing address of the ISA/US Mail Stop PCT, Attn: ISA/US Commissioner for Patents P.O. Box 1450 Alexandria, Virginia 22313-1450 Facsimile No. (571) 273-3201	Authorized officer <div style="text-align: center;">  Robert Siconolfi Telephone No. 571-272-3600 </div>	