

- [54] **PICTURE DISPLAY RECEPTACLE**
- [75] **Inventor: Sergio Tontarelli, Ancona, Italy**
- [73] **Assignee: Simaco Import Ltd., Ville St. Laurent, Canada**
- [**] **Term: 14 Years**
- [21] **Appl. No.: 74,011**
- [22] **Filed: Jul. 15, 1987**

- [30] **Foreign Application Priority Data**
- Mar. 13, 1987 [IT] Italy 521-B/87
- [52] **U.S. Cl. D6/311**
- [58] **Field of Search D6/300-314;**
40/152, 152.1, 155

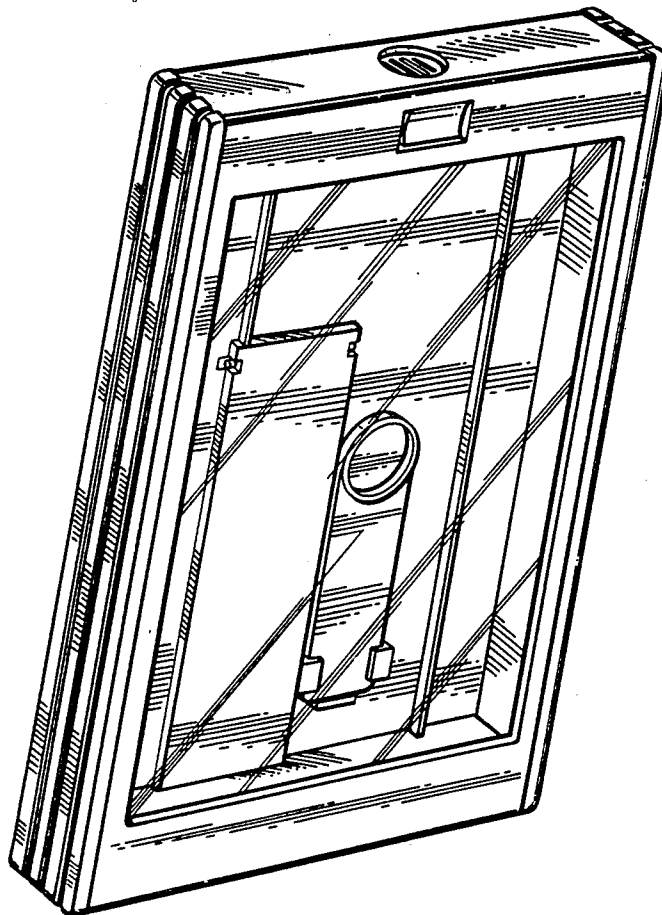
- [56] **References Cited**
U.S. PATENT DOCUMENTS
- D. 276,397 11/1984 Pfanstiehl D6/300
- Primary Examiner*—Bernard Ansher
Assistant Examiner—Terry A. Pfeffer
Attorney, Agent, or Firm—Ivor M. Hughes

[57] **CLAIM**

The ornamental design for a picture display receptacle, as shown and described.

DESCRIPTION

FIG. 1 is a perspective view of a picture display receptacle showing my new design;
FIG. 2 is a top plan view thereof;
FIG. 3 is a bottom plan view thereof;
FIG. 4 is a side elevational view thereof;
FIG. 5 is a front elevational view thereof;
FIG. 6 is a rear elevational view thereof;
FIG. 7 is a bottom perspective view thereof; and
FIG. 8 is a perspective view thereof with the easel extended.



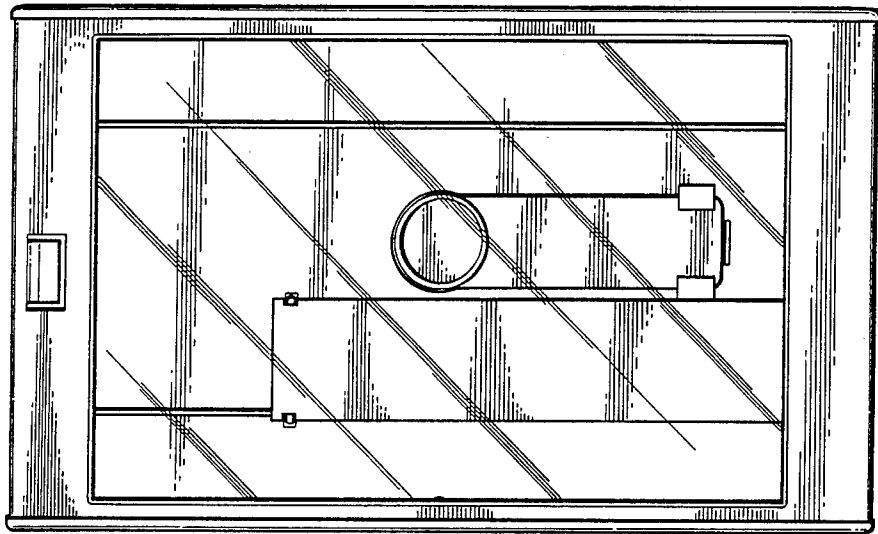


FIG. 2.

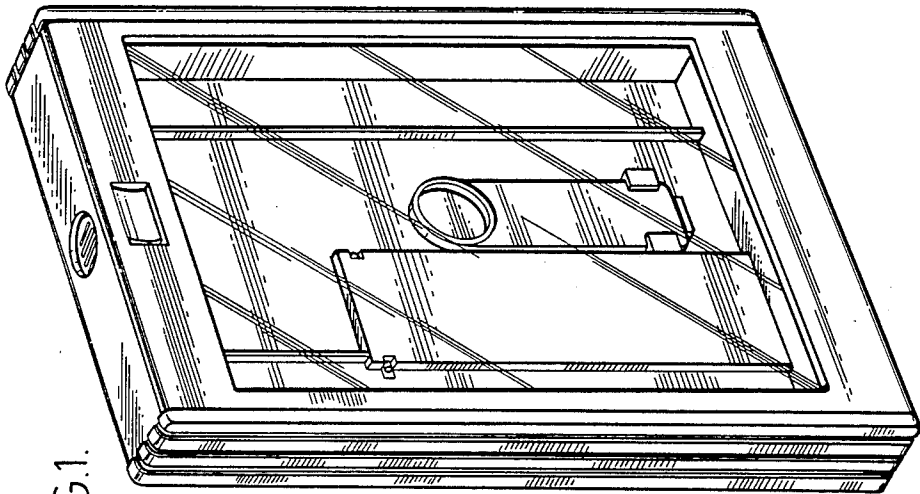


FIG. 1.

