

(19) World Intellectual Property Organization
International Bureau



(43) International Publication Date
19 September 2002 (19.09.2002)

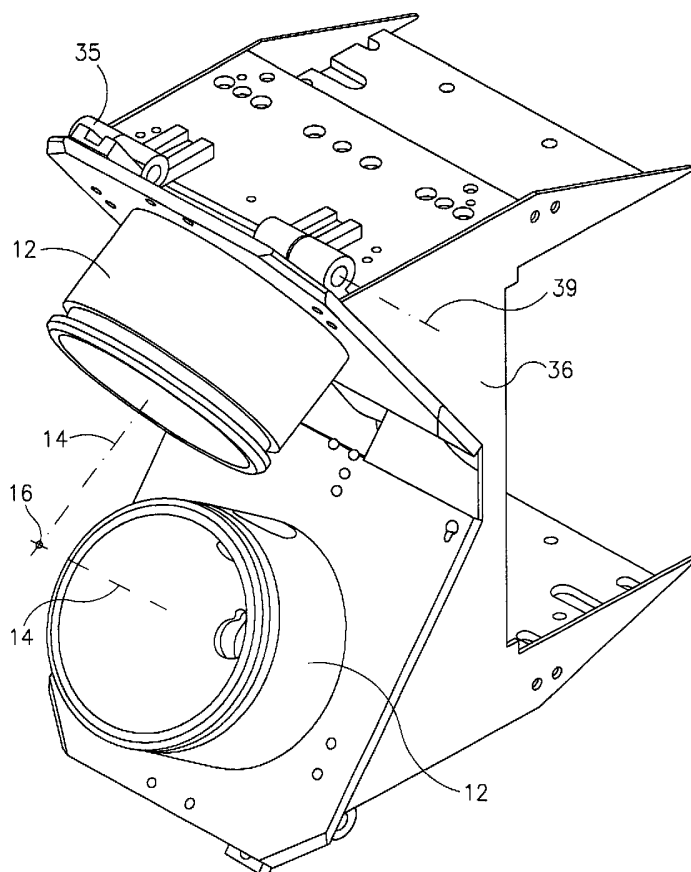
PCT

(10) International Publication Number
WO 02/071916 A3

- (51) International Patent Classification⁷: A61B 17/22
- (21) International Application Number: PCT/IL02/00189
- (22) International Filing Date: 10 March 2002 (10.03.2002)
- (25) Filing Language: English
- (26) Publication Language: English
- (30) Priority Data:
09/804,196 13 March 2001 (13.03.2001) US
- (71) Applicant and
(72) Inventor: EIN-GAL, Moshe [IL/IL]; Azar Street 30,
47203 Ramat Hasharon (IL).
- (74) Agent: KLEIN, David; Dekel Patent Ltd., Beit HaRof'im,
Menuha VeNahala Street 18, Room 27, 76209 Rehovot
(IL).
- (81) Designated States (*national*): AE, AG, AL, AM, AT, AU,
AZ, BA, BB, BG, BR, BY, BZ, CA, CH, CN, CO, CR, CU,
CZ, DE, DK, DM, DZ, EC, EE, ES, FI, GB, GD, GE, GH,
GM, HR, HU, ID, IL, IN, IS, JP, KE, KG, KP, KR, KZ, LC,
LK, LR, LS, LT, LU, LV, MA, MD, MG, MK, MN, MW,
MX, MZ, NO, NZ, OM, PH, PL, PT, RO, RU, SD, SE, SG,
SI, SK, SL, TJ, TM, TN, TR, TT, TZ, UA, UG, US, UZ,
VN, YU, ZA, ZM, ZW.
- (84) Designated States (*regional*): ARIPO patent (GH, GM,
KE, LS, MW, MZ, SD, SL, SZ, TZ, UG, ZM, ZW),
Eurasian patent (AM, AZ, BY, KG, KZ, MD, RU, TJ, TM),
European patent (AT, BE, CH, CY, DE, DK, ES, FI, FR,
GB, GR, IE, IT, LU, MC, NL, PT, SE, TR), OAPI patent
(BF, BJ, CF, CG, CI, CM, GA, GN, GQ, GW, ML, MR,
NE, SN, TD, TG).
- Published:
— with international search report

[Continued on next page]

(54) Title: MULTIPLE SOURCE SHOCKWAVE DEVICE



(57) Abstract: A shockwave device including a plurality of shockwave sources, at least one of the sources having a shockwave propagation axis, the sources being adapted to deliver shockwave energy to a patient.



WO 02/071916 A3



— *before the expiration of the time limit for amending the claims and to be republished in the event of receipt of amendments*

For two-letter codes and other abbreviations, refer to the "Guidance Notes on Codes and Abbreviations" appearing at the beginning of each regular issue of the PCT Gazette.

(88) Date of publication of the international search report:

3 January 2003

INTERNATIONAL SEARCH REPORT

International Application No

PC1/IL 02/00189

A. CLASSIFICATION OF SUBJECT MATTER
 IPC 7 A61B17/22

According to International Patent Classification (IPC) or to both national classification and IPC

B. FIELDS SEARCHED

Minimum documentation searched (classification system followed by classification symbols)

IPC 7 A61B A61N

Documentation searched other than minimum documentation to the extent that such documents are included in the fields searched

Electronic data base consulted during the international search (name of data base and, where practical, search terms used)

EPO-Internal

C. DOCUMENTS CONSIDERED TO BE RELEVANT

Category *	Citation of document, with indication, where appropriate, of the relevant passages	Relevant to claim No.
X	EP 0 133 946 A (SIEMENS AG) 13 March 1985 (1985-03-13) page 10, line 4 -page 12, line 24; figures 1-3	1-12
X	DE 85 28 785 U (SIEMENS A G) 19 June 1986 (1986-06-19) the whole document	1,2,5-7, 9,13-18
X	US 5 501 655 A (LELE PADMAKAR P ET AL) 26 March 1996 (1996-03-26) the whole document	1,2,4-7, 9,12
X	US 4 836 191 A (NOSKE ERICH ET AL) 6 June 1989 (1989-06-06) the whole document	1,18-20
	-/--	

Further documents are listed in the continuation of box C.

Patent family members are listed in annex.

* Special categories of cited documents :

- *A* document defining the general state of the art which is not considered to be of particular relevance
- *E* earlier document but published on or after the international filing date
- *L* document which may throw doubts on priority claim(s) or which is cited to establish the publication date of another citation or other special reason (as specified)
- *O* document referring to an oral disclosure, use, exhibition or other means
- *P* document published prior to the international filing date but later than the priority date claimed

- *T* later document published after the international filing date or priority date and not in conflict with the application but cited to understand the principle or theory underlying the invention
- *X* document of particular relevance; the claimed invention cannot be considered novel or cannot be considered to involve an inventive step when the document is taken alone
- *Y* document of particular relevance; the claimed invention cannot be considered to involve an inventive step when the document is combined with one or more other such documents, such combination being obvious to a person skilled in the art.
- *&* document member of the same patent family

Date of the actual completion of the international search

4 November 2002

Date of mailing of the international search report

12/11/2002

Name and mailing address of the ISA
 European Patent Office, P.B. 5818 Patentlaan 2
 NL - 2280 HV Rijswijk
 Tel. (+31-70) 340-2040. Tx. 31 651 epo nl.
 Fax: (+31-70) 340-3016

Authorized officer

Hansen, S

INTERNATIONAL SEARCH REPORT

International Application No.
PCT/IL 02/00189

C.(Continuation) DOCUMENTS CONSIDERED TO BE RELEVANT		
Category °	Citation of document, with indication, where appropriate, of the relevant passages	Relevant to claim No.
X	US 4 976 255 A (REICHENBERGER HELMUT ET AL) 11 December 1990 (1990-12-11) abstract; figure 1 -----	1,2,8-10
X	WO 01 02055 A (YOUNG MICHAEL JOHN RADLEY ;YOUNG STEPHEN MICHAEL RADLEY (GB)) 11 January 2001 (2001-01-11) abstract; claims 1,11; figure 1 -----	1

INTERNATIONAL SEARCH REPORT

Information on patent family members

International Application No

PCT/IL 02/00189

Patent document cited in search report	A	Publication date	Patent family member(s)	Publication date
EP 0133946	A	13-03-1985	DE 3328068 A1 DE 3474256 D1 EP 0133946 A2	21-02-1985 03-11-1988 13-03-1985
DE 8528785	U	19-06-1986	DE 8528785 U1	19-06-1986
US 5501655	A	26-03-1996	WO 9319705 A1	14-10-1993
US 4836191	A	06-06-1989	DE 8701218 U1 EP 0277489 A2	26-05-1988 10-08-1988
US 4976255	A	11-12-1990	EP 0355178 A1 DE 3885742 D1	28-02-1990 23-12-1993
WO 0102055	A	11-01-2001	AU 5698100 A WO 0102055 A1 GB 2367500 A	22-01-2001 11-01-2001 10-04-2002