

Fig 1.1

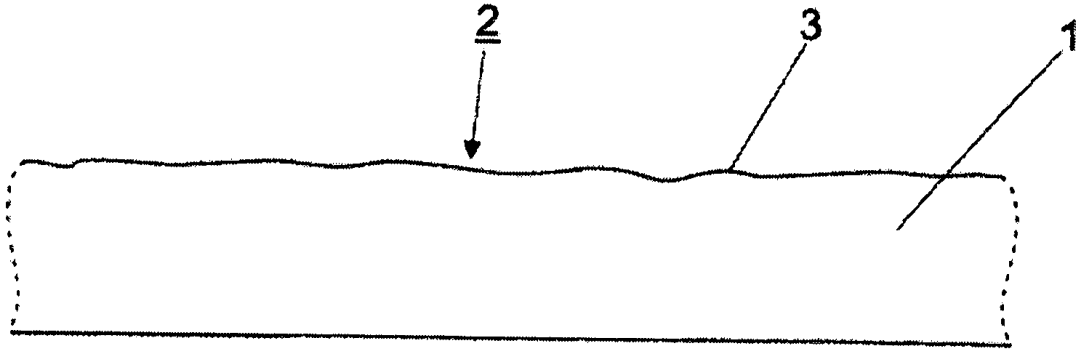
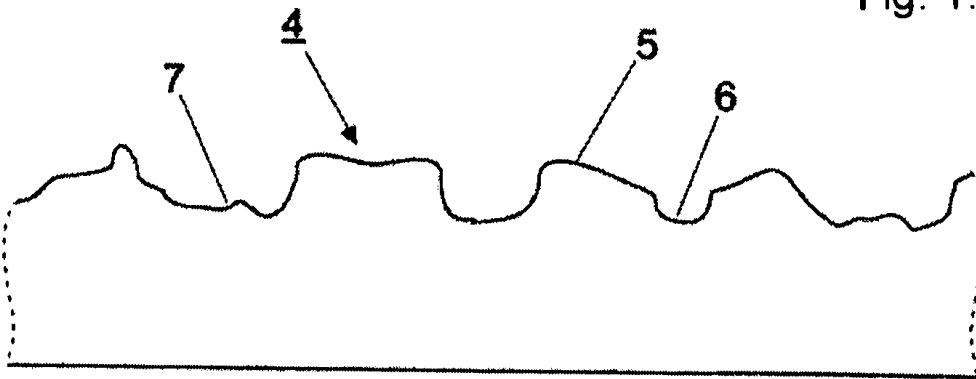
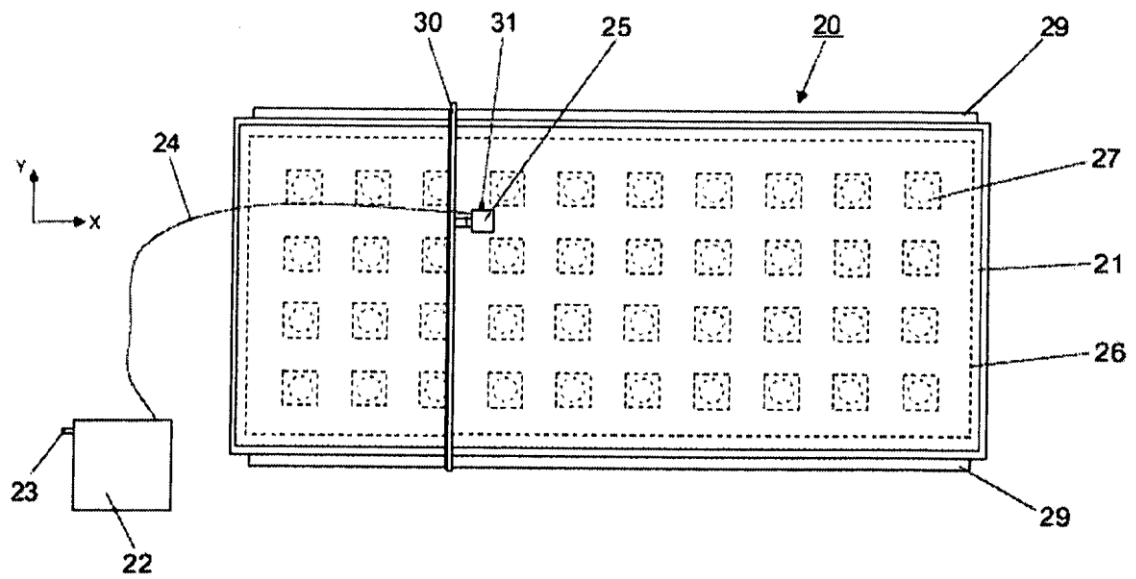


Fig. 1.2



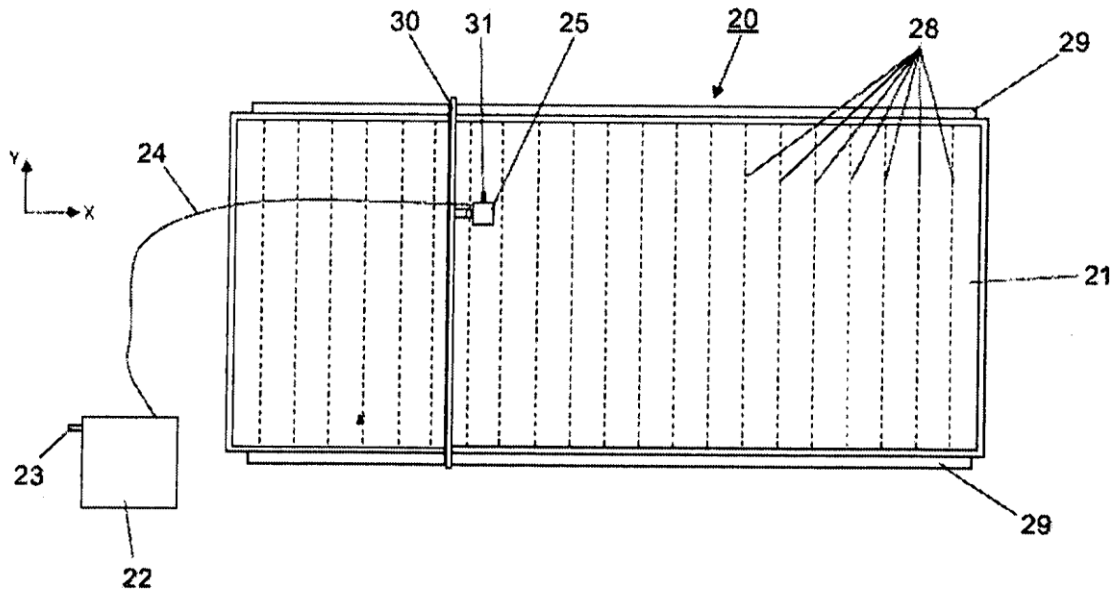
  
AMIT ASWAL  
OF ANOVIP  
AGENT FOR THE APPLICANT

Fig. 2



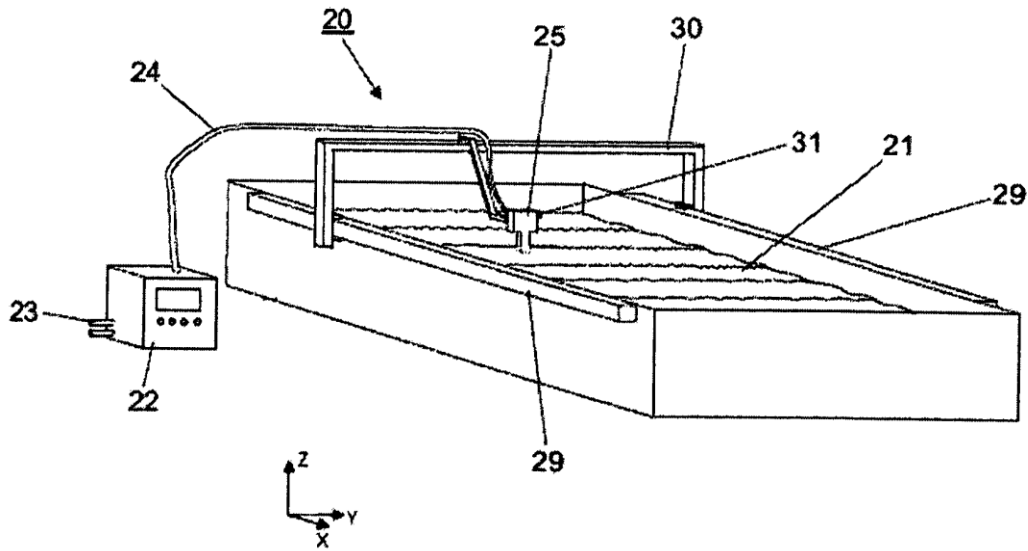
AMIT ASWAL  
OF ANOVIP  
AGENT FOR THE APPLICANT

Fig. 3



AMIT ASWAL  
OF ANOVIP  
AGENT FOR THE APPLICANT

Fig. 4



AMIT ASWAL  
OF ANOVIP  
AGENT FOR THE APPLICANT