



US00D698261S

(12) **United States Design Patent**
Thuesen

(10) **Patent No.:** **US D698,261 S**

(45) **Date of Patent:** **** *Jan. 28, 2014**

(54) **MATCHBOOK**

(75) Inventor: **Marcus L. Thuesen**, Houston, TX (US)

(73) Assignee: **AdverFlame, LLC**, Houston, TX (US)

(*) Notice: This patent is subject to a terminal disclaimer.

(**) Term: **14 Years**

(21) Appl. No.: **29/395,285**

(22) Filed: **Dec. 29, 2011**

(51) **LOC (10) Cl.** **09-03**

(52) **U.S. Cl.**
USPC **D9/701**

(58) **Field of Classification Search**

USPC D19/1-12, 20-34; D27/139-140,
D27/172-193; D9/432, 416, 701;
229/70-76, 87.01-87.09, 87.11-87.19;
206/472, 476, 104, 99, 108, 110, 113,
206/820, 90-96, 121, 216, 395, 424, 484
See application file for complete search history.

(56) **References Cited**

U.S. PATENT DOCUMENTS

1,116,043	A	11/1914	Elliot	
1,459,033	A *	6/1923	Pfersch	206/109
1,634,712	A	7/1927	Friedman	
1,650,703	A	11/1927	Friedman	
1,839,846	A	1/1932	Greenbaum	
1,968,353	A	7/1934	Potter	
1,975,526	A	10/1934	Williams et al.	
2,023,884	A *	12/1935	Grote	401/52
2,105,842	A	1/1938	Pindell	

(Continued)

OTHER PUBLICATIONS

KM Zundholz Int'l Karl Muller GmbH Website (www.kmmatch.com), page http://www.kmmatch.com/Werbezuendhoelzer/pic/ab-bildung/g_special2.jpg (Aug. 11, 2004).

(Continued)

Primary Examiner — Caron D Veynar

Assistant Examiner — Abraham Bahta

(74) *Attorney, Agent, or Firm* — Keith B. Willhelm

(57) **CLAIM**

I claim the ornamental design for a matchbook, as shown and described.

DESCRIPTION

FIG. 1 is a top, right front perspective view of the matchbook showing my new design;

FIG. 2 is a top, right front perspective view thereof; the cover of the matchbook being partially opened to reveal an insert sheet folded therein;

FIG. 3 is another perspective view thereof; the cover being fully opened and the insert sheet being folded therein;

FIG. 4 is a front perspective view thereof; the cover being fully opened and the insert sheet being unfolded therein;

FIG. 5 is a front elevation view thereof; the cover being fully opened and the insert sheet being unfolded therein;

FIG. 6 is a front elevation view thereof;

FIG. 7 is a back elevation view thereof;

FIG. 8 is a bottom view thereof;

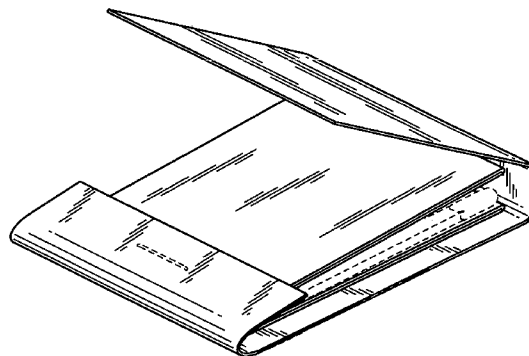
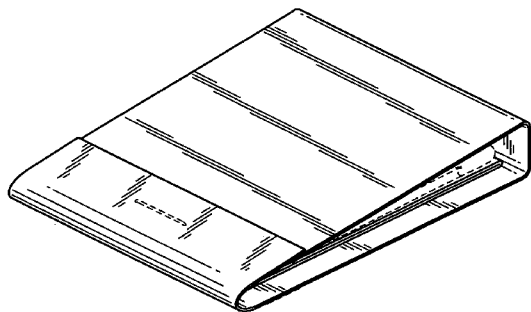
FIG. 9 is a top view thereof; and,

FIG. 10 is a right side view; the left view being a mirror image thereof.

The claimed design is for matchbooks. Various views with the cover being fully or partially opened, and in particular FIGS. 2-5, are used to illustrate the design insofar as the matchbook is capable of such manipulation by consumers. Surface shading is used in the drawings to show contour in the design that otherwise might not be apparent in a particular figure.

The broken line showing of a staple, matches, and a strip of striking material is included for the purpose of illustrating environmental structure and forms no part of the claimed design.

1 Claim, 5 Drawing Sheets



(56)

References Cited

U.S. PATENT DOCUMENTS

2,118,634 A 5/1938 Williams
 2,184,629 A 12/1939 Weiss
 2,234,276 A 3/1941 Redcliffe
 2,288,342 A 6/1942 Brooks
 2,296,510 A * 9/1942 Fischer 206/106
 2,297,527 A * 9/1942 Behan 206/114
 2,304,403 A * 12/1942 Fischer 206/106
 2,411,368 A 11/1946 Dow
 3,038,595 A 2/1959 Janus
 2,933,181 A 4/1960 Will
 2,996,173 A 8/1961 Will
 3,211,470 A 10/1965 Wilson
 3,358,817 A 12/1967 Will
 3,394,795 A 7/1968 Bernard
 3,958,689 A 5/1976 Roth
 4,053,048 A * 10/1977 Cohn 206/106
 D248,369 S * 7/1978 Robertson et al. D9/600
 4,103,820 A 8/1978 Mathison et al.
 4,154,337 A 5/1979 Tybie
 4,620,664 A 11/1986 Kaufman
 D286,981 S * 12/1986 Gold D9/701
 4,690,273 A 9/1987 Smith
 4,795,027 A 1/1989 Benavides

4,917,236 A 4/1990 Galvez-Moran
 5,072,877 A 12/1991 Van Fulpen
 5,074,462 A 12/1991 Countee, Jr.
 5,119,941 A 6/1992 Lepie
 5,181,755 A * 1/1993 Stanwich et al. 294/212
 5,474,183 A 12/1995 Warren et al.
 6,085,903 A 7/2000 Jotcham et al.
 6,305,531 B1 10/2001 Wilkman
 D462,007 S * 8/2002 Spinoy D9/701
 8,087,214 B1 1/2012 Thuesen et al.
 8,266,876 B1 9/2012 Thuesen et al.
 2002/0030112 A1 3/2002 Schreiber
 2006/0157370 A1 7/2006 Thuesen et al.

OTHER PUBLICATIONS

Office Action, U.S. Appl. No. 10/980,547, mailed Aug. 8, 2006.
Office Action, U.S. Appl. No. 10/980,547, mailed Jan. 17, 2007.
Office Action, U.S. Appl. No. 10/980,547, mailed Apr. 16, 2007.
Office Action, U.S. Appl. No. 10/980,547, mailed Dec. 11, 2007.
Office Action, U.S. Appl. No. 11/893,252, mailed Jan. 27, 2009.
Office Action, U.S. Appl. No. 11/893,252, mailed Jun. 30, 2009.
Office Action, U.S. Appl. No. 11/893,252, mailed Mar. 30, 2011.
Office Action, U.S. Appl. No. 13/373,159, mailed Mar. 1, 2012.

* cited by examiner

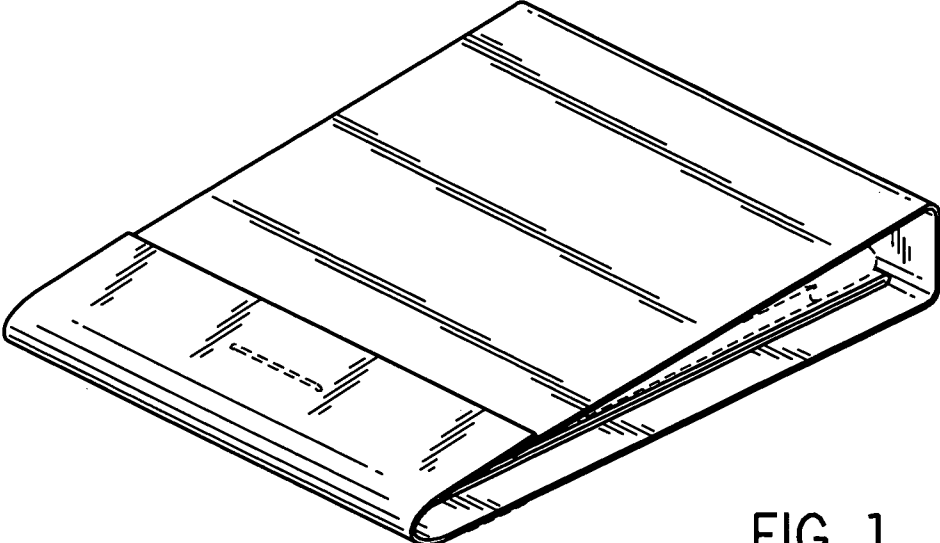


FIG. 1

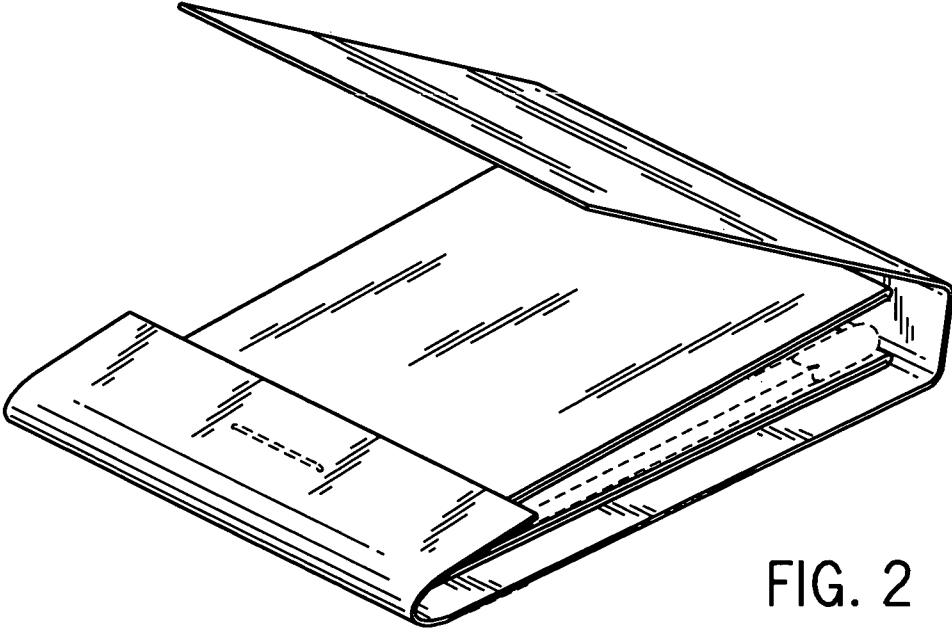


FIG. 2

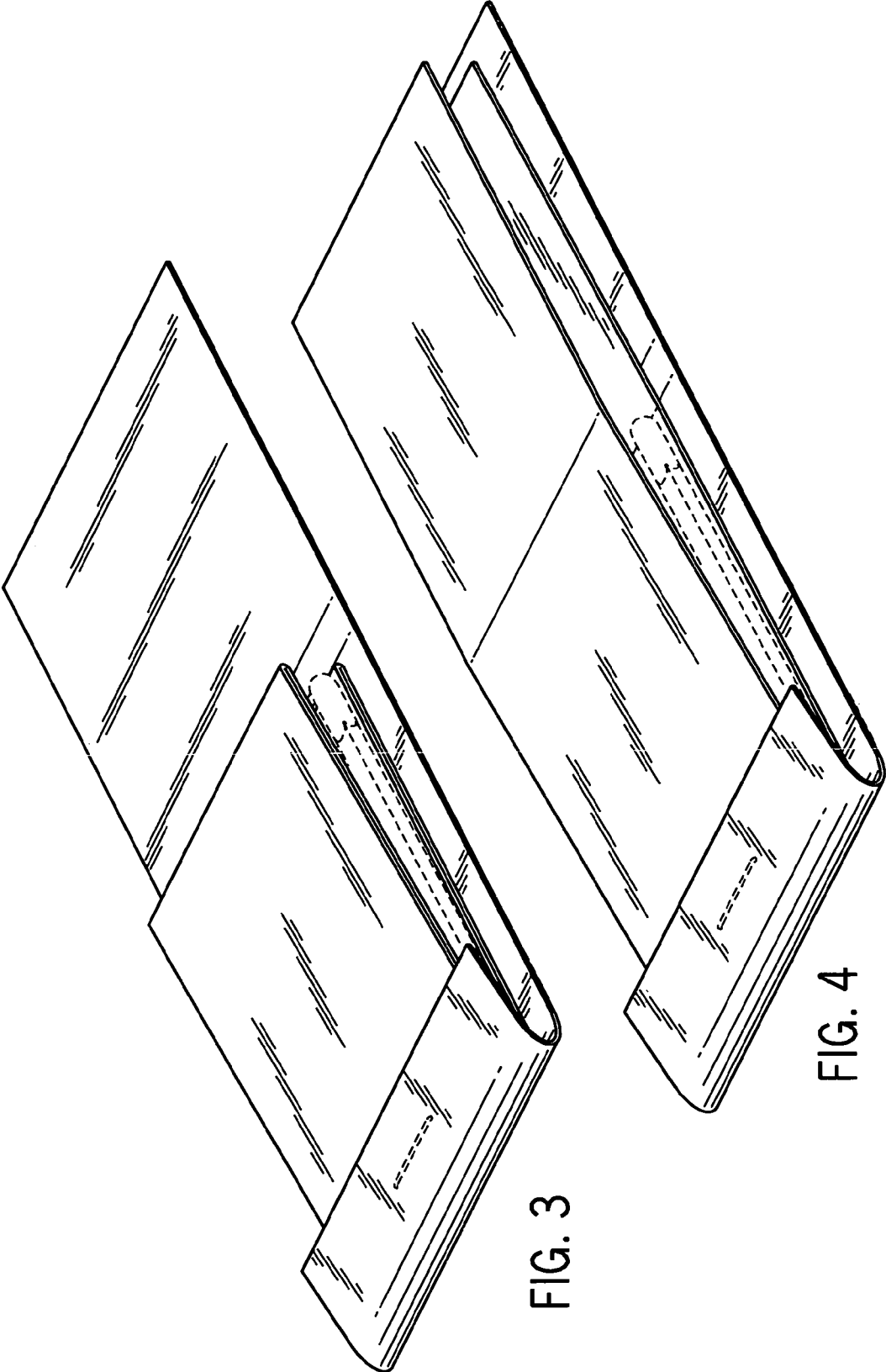
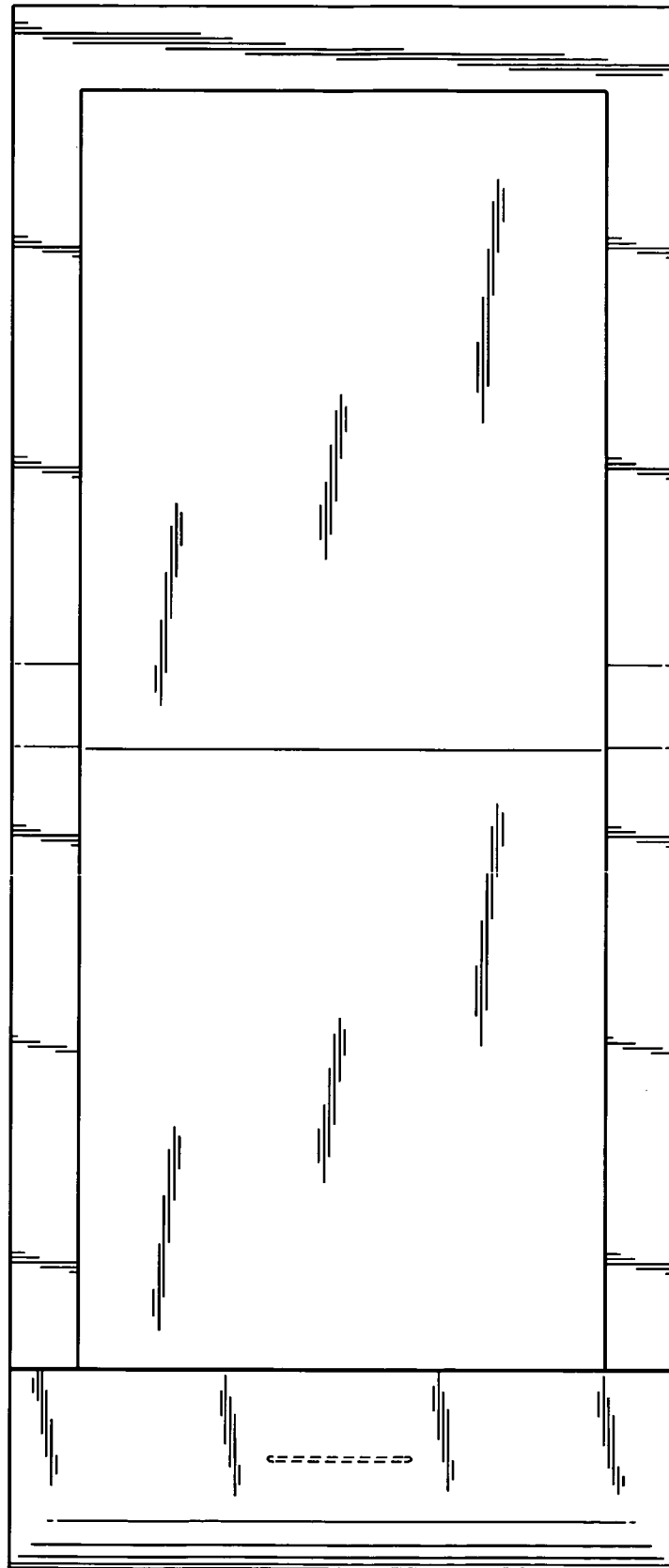


FIG. 3

FIG. 4

FIG. 5



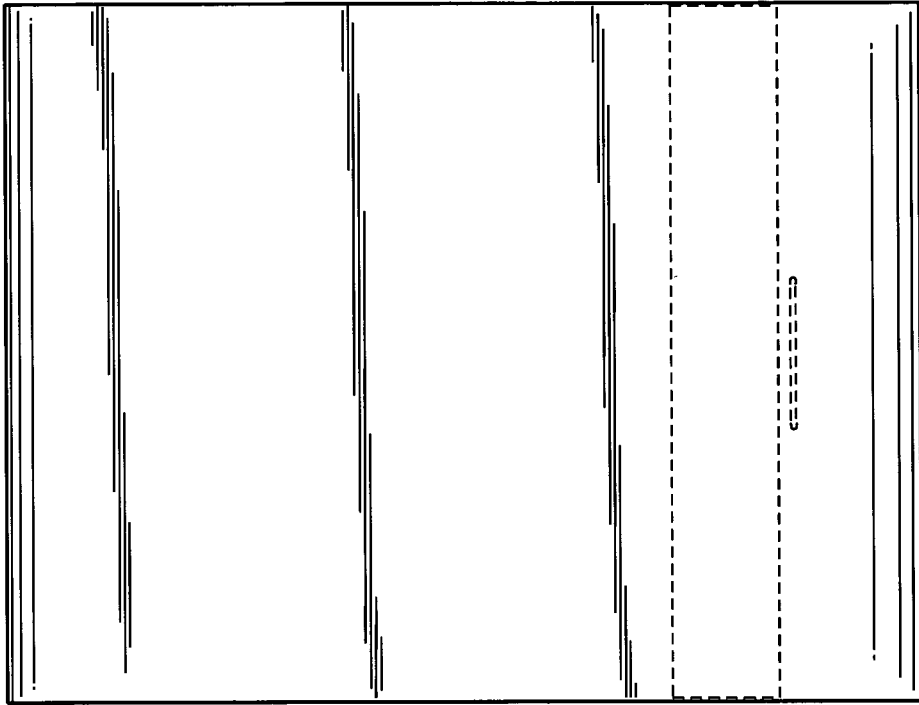


FIG. 7

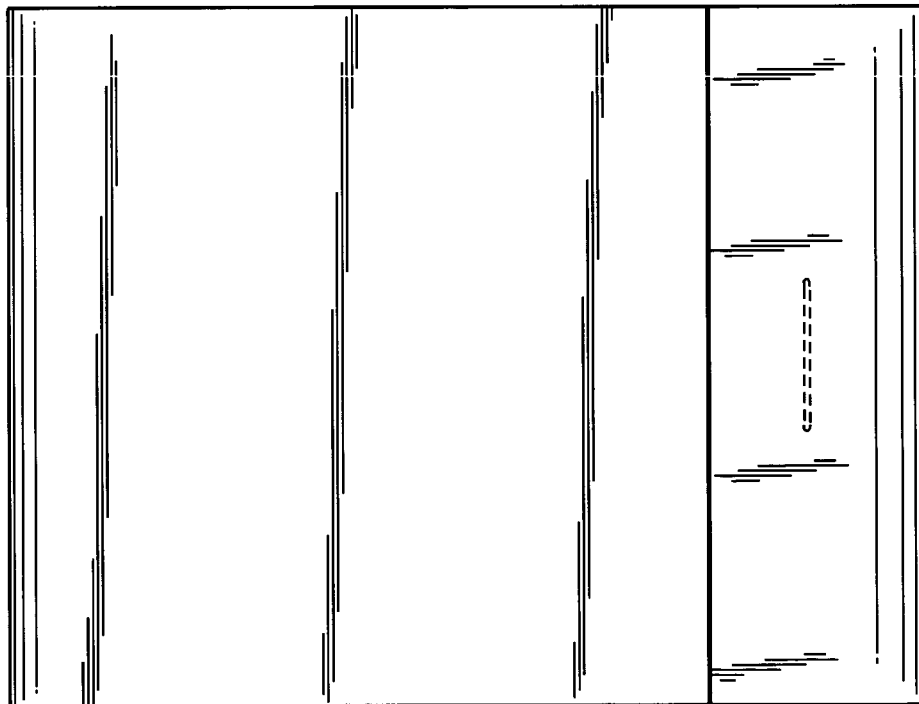


FIG. 6

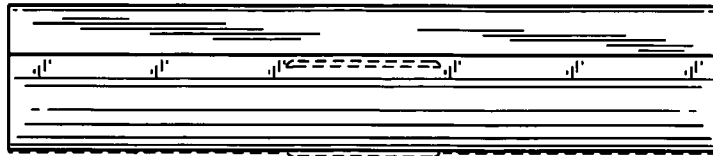


FIG. 8

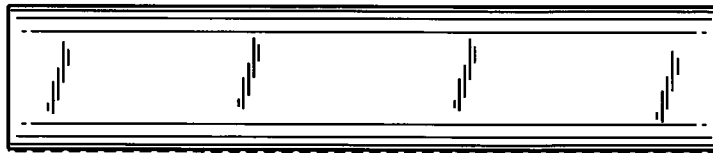


FIG. 9

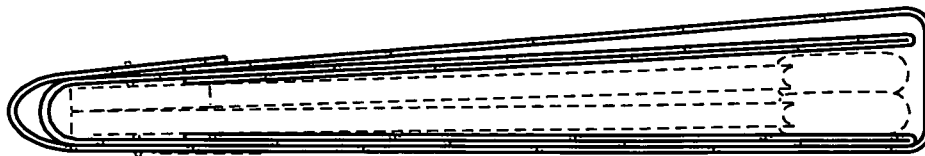


FIG. 10