

[54] WINDING DEVICE FOR FLEXIBLE CORDS

[75] Inventor: Erich Kunstlicher, Helsingborg, Sweden

[73] Assignee: Osmos Plast Aktiebolag Corporation of Sweden, Sweden

[**] Term: 14 Years

[21] Appl. No.: 595,187

[22] Filed: July 11, 1975

[30] Foreign Application Priority Data

Jan. 15, 1975 Sweden 7590

[51] Int. Cl. D8-05

[52] U.S. Cl. D8/220

[58] Field of Search D8/220

[56] References Cited

U.S. PATENT DOCUMENTS

D. 34,820 7/1901 Christmann D8/257

Primary Examiner—William N. Wertman
Attorney, Agent, or Firm—Browne, Beveridge,
DeGrandi & Kline

[57] CLAIM

The ornamental design for a winding device for flexible cords, substantially as shown.

DESCRIPTION

FIG. 1 is a side elevational view of a winding device for flexible cords showing my new design, the opposite side thereof being identical thereto;

FIG. 2 is an end elevational view thereof, the opposite end being identical thereto;

FIG. 3 is a perspective view thereof.

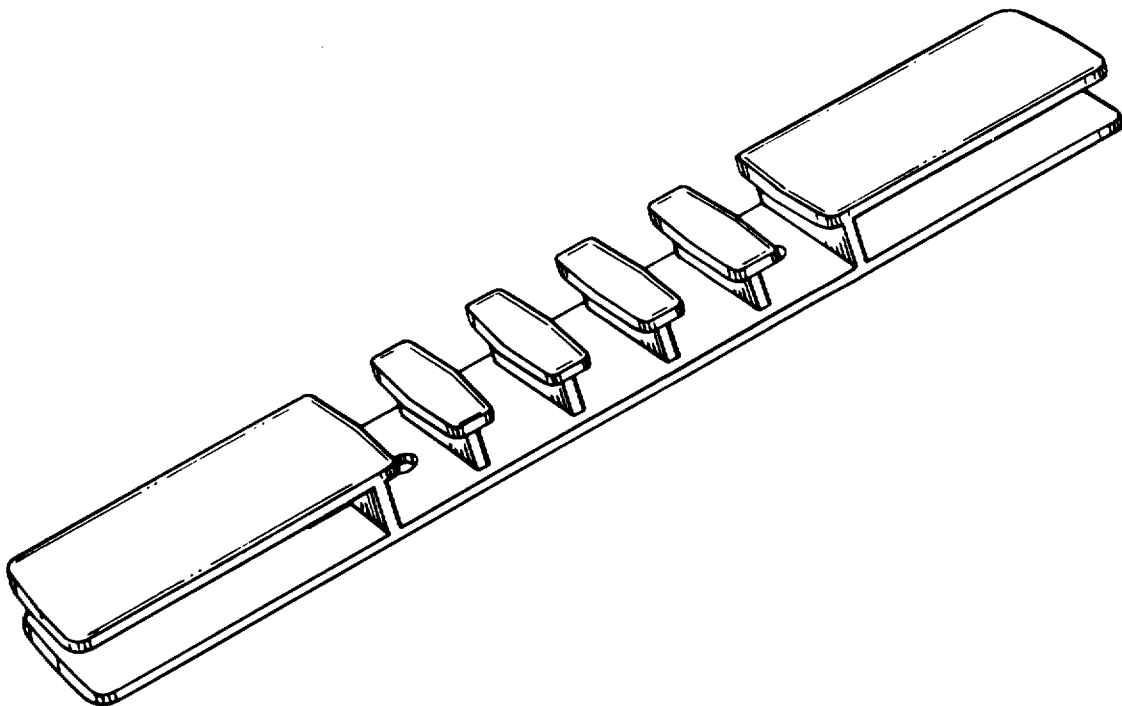


FIG. 1

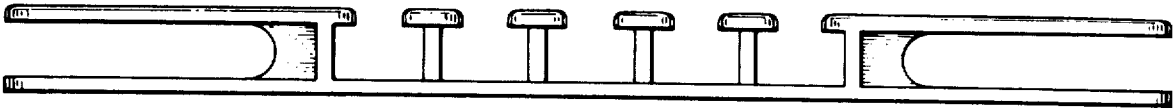


FIG. 2

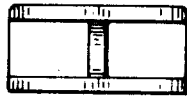


FIG. 3

