



(51) International Patent Classification:

*H02K 31/02* (2006.01)    *H02K 21/24* (2006.01)  
*H02K 21/38* (2006.01)    *H02K 21/02* (2006.01)  
*H02K 53/00* (2006.01)    *H02K 16/02* (2006.01)

(21) International Application Number:

PCT/NL2015/050196

(22) International Filing Date:

27 March 2015 (27.03.2015)

(25) Filing Language:

English

(26) Publication Language:

English

(30) Priority Data:

2012514    27 March 2014 (27.03.2014)    NL

(71) Applicant: **TORNILO B.V.** [NL/NL]; Van Eeghenstraat 1 H, NL-1071 ES Amsterdam (NL).

(72) Inventor: **SWITZER, Hendrik Frederik**; Bernardlaan 26, NL-1791 XE Den Burg, Texel (NL).

(74) Agent: **VAN BREDA, Jacques**; Weteringschans 96, NL-1017 XS Amsterdam (NL).

(81) Designated States (unless otherwise indicated, for every kind of national protection available): AE, AG, AL, AM, AO, AT, AU, AZ, BA, BB, BG, BH, BN, BR, BW, BY, BZ, CA, CH, CL, CN, CO, CR, CU, CZ, DE, DK, DM, DO, DZ, EC, EE, EG, ES, FI, GB, GD, GE, GH, GM, GT, HN, HR, HU, ID, IL, IN, IR, IS, JP, KE, KG, KN, KP, KR, KZ, LA, LC, LK, LR, LS, LU, LY, MA, MD, ME, MG, MK, MN, MW, MX, MY, MZ, NA, NG, NI, NO, NZ, OM, PA, PE, PG, PH, PL, PT, QA, RO, RS, RU, RW, SA, SC, SD, SE, SG, SK, SL, SM, ST, SV, SY, TH, TJ, TM, TN, TR, TT, TZ, UA, UG, US, UZ, VC, VN, ZA, ZM, ZW.

(84) Designated States (unless otherwise indicated, for every kind of regional protection available): ARIPO (BW, GH, GM, KE, LR, LS, MW, MZ, NA, RW, SD, SL, ST, SZ, TZ, UG, ZM, ZW), Eurasian (AM, AZ, BY, KG, KZ, RU, TJ, TM), European (AL, AT, BE, BG, CH, CY, CZ, DE, DK, EE, ES, FI, FR, GB, GR, HR, HU, IE, IS, IT, LT, LU, LV, MC, MK, MT, NL, NO, PL, PT, RO, RS, SE, SI, SK, SM, TR), OAPI (BF, BJ, CF, CG, CI, CM, GA, GN, GQ, GW, KM, ML, MR, NE, SN, TD, TG).

Published:

— with international search report (Art. 21(3))

[Continued on next page]

(54) Title: ELECTRICAL MACHINE

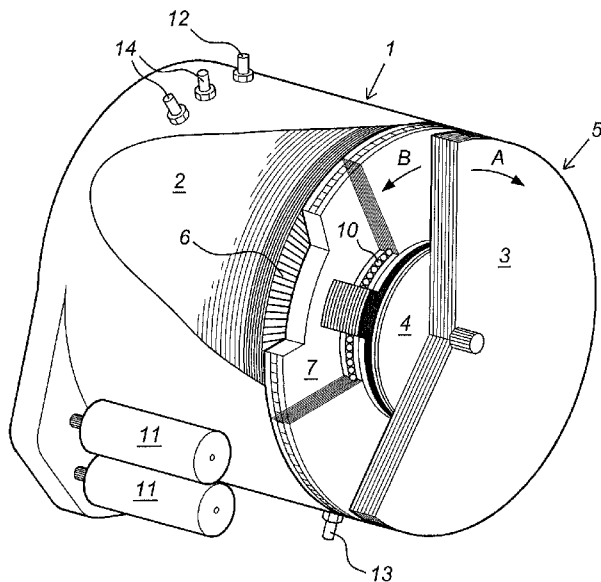


Fig. 1

(57) Abstract: Electrical machine comprising a stator provided with electric wiring and a rotor with a rotatable axle and permanent magnets for providing a rotating magnetic field having magnetic field lines cooperating with said electric wiring of the stator, wherein the rotatable axle has two first discs mounted at opposite extremities of the axle, which first discs have a magnetic permeability sufficient to direct the magnetic field lines from the permanent magnets to the sides of the electric wiring of the stator, and that between said two first discs and the electric wiring of the stator two second discs are provided that are arranged with sectors of relatively high magnetic permeability that are alternated with sectors having relatively low magnetic permeability.





---

— *before the expiration of the time limit for amending the claims and to be republished in the event of receipt of amendments (Rule 48.2(h))*

**(88) Date of publication of the international search report:**  
10 December 2015

# INTERNATIONAL SEARCH REPORT

International application No PCT/NL2015/050196
---

<b>A. CLASSIFICATION OF SUBJECT MATTER</b> INV. H02K31/02 H02K21/38 ADD. H02K53/00 H02K21/24 H02K21/02 H02K16/02				
According to International Patent Classification (IPC) or to both national classification and IPC				
<b>B. FIELDS SEARCHED</b>				
Minimum documentation searched (classification system followed by classification symbols) H02K				
Documentation searched other than minimum documentation to the extent that such documents are included in the fields searched				
Electronic data base consulted during the international search (name of data base and, where practicable, search terms used) EPO-Internal, WPI Data				
<b>C. DOCUMENTS CONSIDERED TO BE RELEVANT</b>				
Category*	Citation of document, with indication, where appropriate, of the relevant passages	Relevant to claim No.		
A	US 2012/212085 A1 (FU WEINONG [HK] ET AL) 23 August 2012 (2012-08-23) abstract; figures paragraphs [0027] - [0033] -----	1-11		
A	JP H07 264836 A (AISIN SEIKI) 13 October 1995 (1995-10-13) abstract; figures -----	1-11		
A	JP S56 91672 A (KATO MOTOAKI) 24 July 1981 (1981-07-24) abstract; figures -----	1-11		
A	US 3 906 267 A (COUPIN CLAUDE ET AL) 16 September 1975 (1975-09-16) abstract; figures -----	1-11		
----- -/--				
<input checked="" type="checkbox"/> Further documents are listed in the continuation of Box C. <span style="margin-left: 200px;"><input checked="" type="checkbox"/> See patent family annex.</span>				
* Special categories of cited documents : <table style="width: 100%; border: none;"> <tr> <td style="width: 50%; border: none; vertical-align: top;">                             "A" document defining the general state of the art which is not considered to be of particular relevance                              "E" earlier application or patent but published on or after the international filing date                              "L" document which may throw doubts on priority claim(s) or which is cited to establish the publication date of another citation or other special reason (as specified)                              "O" document referring to an oral disclosure, use, exhibition or other means                              "P" document published prior to the international filing date but later than the priority date claimed                         </td> <td style="width: 50%; border: none; vertical-align: top;">                             "T" later document published after the international filing date or priority date and not in conflict with the application but cited to understand the principle or theory underlying the invention                              "X" document of particular relevance; the claimed invention cannot be considered novel or cannot be considered to involve an inventive step when the document is taken alone                              "Y" document of particular relevance; the claimed invention cannot be considered to involve an inventive step when the document is combined with one or more other such documents, such combination being obvious to a person skilled in the art                              "&amp;" document member of the same patent family                         </td> </tr> </table>			"A" document defining the general state of the art which is not considered to be of particular relevance "E" earlier application or patent but published on or after the international filing date "L" document which may throw doubts on priority claim(s) or which is cited to establish the publication date of another citation or other special reason (as specified) "O" document referring to an oral disclosure, use, exhibition or other means "P" document published prior to the international filing date but later than the priority date claimed	"T" later document published after the international filing date or priority date and not in conflict with the application but cited to understand the principle or theory underlying the invention "X" document of particular relevance; the claimed invention cannot be considered novel or cannot be considered to involve an inventive step when the document is taken alone "Y" document of particular relevance; the claimed invention cannot be considered to involve an inventive step when the document is combined with one or more other such documents, such combination being obvious to a person skilled in the art "&" document member of the same patent family
"A" document defining the general state of the art which is not considered to be of particular relevance "E" earlier application or patent but published on or after the international filing date "L" document which may throw doubts on priority claim(s) or which is cited to establish the publication date of another citation or other special reason (as specified) "O" document referring to an oral disclosure, use, exhibition or other means "P" document published prior to the international filing date but later than the priority date claimed	"T" later document published after the international filing date or priority date and not in conflict with the application but cited to understand the principle or theory underlying the invention "X" document of particular relevance; the claimed invention cannot be considered novel or cannot be considered to involve an inventive step when the document is taken alone "Y" document of particular relevance; the claimed invention cannot be considered to involve an inventive step when the document is combined with one or more other such documents, such combination being obvious to a person skilled in the art "&" document member of the same patent family			
Date of the actual completion of the international search	Date of mailing of the international search report			
12 October 2015	21/10/2015			
Name and mailing address of the ISA/ European Patent Office, P.B. 5818 Patentlaan 2 NL - 2280 HV Rijswijk Tel. (+31-70) 340-2040, Fax: (+31-70) 340-3016	Authorized officer  Ramos, Horacio			

INTERNATIONAL SEARCH REPORT

International application No  
PCT/NL2015/050196

C(Continuation). DOCUMENTS CONSIDERED TO BE RELEVANT		
Category*	Citation of document, with indication, where appropriate, of the relevant passages	Relevant to claim No.
A	WO 2013/106919 A1 (IDENERGIE INC [CA]) 25 July 2013 (2013-07-25) abstract; figures -----	1-11
A	US 4 585 085 A (HANDEL PETER H [US] ET AL) 29 April 1986 (1986-04-29) abstract; figures -----	1-11
A	WO 2006/030168 A1 (EMPOWER CORP H [BS]; MCNEIL JOHN [GB]) 23 March 2006 (2006-03-23) abstract; figures -----	1-11
Y	US 2008/100169 A1 (YOUNG HAI TEE [US]) 1 May 2008 (2008-05-01) abstract; figures -----	6-8
X	GB 949 262 A (CEM COMP ELECTRO MEC) 12 February 1964 (1964-02-12)	1-5,9-11
Y	the whole document -----	6-8

# INTERNATIONAL SEARCH REPORT

Information on patent family members

International application No PCT/NL2015/050196
---

Patent document cited in search report	A1	Publication date	Patent family member(s)	Publication date
US 2012212085	A1	23-08-2012	NONE	
-----				
JP H07264836	A	13-10-1995	NONE	
-----				
JP S5691672	A	24-07-1981	NONE	
-----				
US 3906267	A	16-09-1975	CA 1001199 A US 3906267 A	07-12-1976 16-09-1975
-----				
WO 2013106919	A1	25-07-2013	CA 2898621 A1 EP 2805405 A1 US 2014346777 A1 WO 2013106919 A1	25-07-2013 26-11-2014 27-11-2014 25-07-2013
-----				
US 4585085	A	29-04-1986	NONE	
-----				
WO 2006030168	A1	23-03-2006	NONE	
-----				
US 2008100169	A1	01-05-2008	NONE	
-----				
GB 949262	A	12-02-1964	CH 385986 A FR 1286730 A GB 949262 A	31-12-1964 09-03-1962 12-02-1964
-----				