



(43) International Publication Date
31 December 2014 (31.12.2014)

(51) International Patent Classification:

A61B 17/00 (2006.01) A61M 3/00 (2006.01)
A61M 5/00 (2006.01) A61F 2/00 (2006.01)

(21) International Application Number:

PCT/IB2014/001174

(22) International Filing Date:

25 June 2014 (25.06.2014)

(25) Filing Language:

English

(26) Publication Language:

English

(30) Priority Data:

2815/CHE/2013 27 June 2013 (27.06.2013) IN

(72) Inventor; and

(71) Applicant : PACHAIAPPAN, Saravanan [IN/IN]; B
123, 20th Cross, PIPDIC Industrial Estate, Mettupalayam,
605009 Puducherry (IN).

(74) Agent: ARVIND, Chitra; Rajeshwari & Associates, Am-
soft Business Centre, Unitech Trade Centre, Sector 43,
Gurgaon, Haryana, Gurgaon 122002 (IN).

(81) Designated States (unless otherwise indicated, for every
kind of national protection available): AE, AG, AL, AM,
AO, AT, AU, AZ, BA, BB, BG, BH, BN, BR, BW, BY,

BZ, CA, CH, CL, CN, CO, CR, CU, CZ, DE, DK, DM,
DO, DZ, EC, EE, EG, ES, FI, GB, GD, GE, GH, GM, GT,
HN, HR, HU, ID, IL, IN, IR, IS, JP, KE, KG, KN, KP, KR,
KZ, LA, LC, LK, LR, LS, LT, LU, LY, MA, MD, ME,
MG, MK, MN, MW, MX, MY, MZ, NA, NG, NI, NO, NZ,
OM, PA, PE, PG, PH, PL, PT, QA, RO, RS, RU, RW, SA,
SC, SD, SE, SG, SK, SL, SM, ST, SV, SY, TH, TJ, TM,
TN, TR, TT, TZ, UA, UG, US, UZ, VC, VN, ZA, ZM,
ZW.

(84) Designated States (unless otherwise indicated, for every
kind of regional protection available): ARIPO (BW, GH,
GM, KE, LR, LS, MW, MZ, NA, RW, SD, SL, SZ, TZ,
UG, ZM, ZW), Eurasian (AM, AZ, BY, KG, KZ, RU, TJ,
TM), European (AL, AT, BE, BG, CH, CY, CZ, DE, DK,
EE, ES, FI, FR, GB, GR, HR, HU, IE, IS, IT, LT, LU, LV,
MC, MK, MT, NL, NO, PL, PT, RO, RS, SE, SI, SK, SM,
TR), OAPI (BF, BJ, CF, CG, CI, CM, GA, GN, GQ, GW,
KM, ML, MR, NE, SN, TD, TG).

Published:

— with international search report (Art. 21(3))

(88) Date of publication of the international search report:

2 April 2015

(54) Title: PRE-LOADED INTRAOCULAR LENS DELIVERY DEVICE

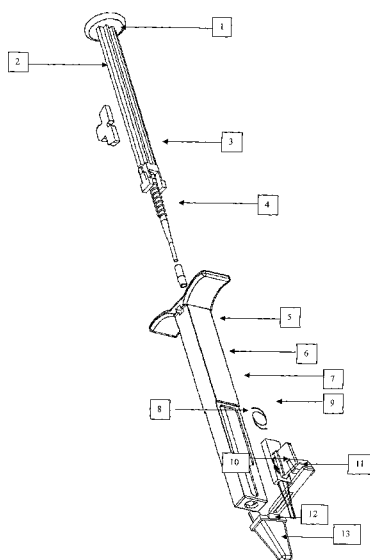


Fig. 1

(57) Abstract: The present invention pertains to an intraocular lens delivery device comprising of an injector device with preloaded intraocular lens, packaged, stored and delivered as a single unit.



INTERNATIONAL SEARCH REPORT

International application No.

PCT/IB2014/001174

A. CLASSIFICATION OF SUBJECT MATTER

A61B17/00, A61M5/00, A61M3/00, A61F2/00 Version=2014.01

According to International Patent Classification (IPC) or to both national classification and IPC

B. FIELDS SEARCHED

Minimum documentation searched (classification system followed by classification symbols)

A61B, A61M and A61F.

Documentation searched other than minimum documentation to the extent that such documents are included in the fields searched

Electronic data base consulted during the international search (name of data base and, where practicable, search terms used)

DATABASES: QUESTEL , IPO INTERNAL

SEARCH TERMS: INTRAOCULAR LENS , PLUNGER, CARTRIDGE, RETAINER, HINGE

C. DOCUMENTS CONSIDERED TO BE RELEVANT

Category*	Citation of document, with indication, where appropriate, of the relevant passages	Relevant to claim No.
X	US 20080200922 A1 (David C. Brown) Aug 21, 2008 Abstract, Figs 1-7B and Paragraphs 0020-0027. -----	1-9
Y	US 20120016374 A1 (Myoung Soo Han) Jan 19, 2012 Abstract, Figs 1-8 and Paragraphs 0027-0043. -----	1-9
Y	WO2012155887 A1 (Helmut Binder, Christoph MAROSCHECK) Nov 22, 2012 Abstract and Figs 1-18.	1-9

 Further documents are listed in the continuation of Box C. See patent family annex.

* Special categories of cited documents:

"A" document defining the general state of the art which is not considered to be of particular relevance

"E" earlier application or patent but published on or after the international filing date

"L" document which may throw doubts on priority claim(s) or which is cited to establish the publication date of another citation or other special reason (as specified)

"O" document referring to an oral disclosure, use, exhibition or other means

"P" document published prior to the international filing date but later than the priority date claimed

"T" later document published after the international filing date or priority date and not in conflict with the application but cited to understand the principle or theory underlying the invention

"X" document of particular relevance; the claimed invention cannot be considered novel or cannot be considered to involve an inventive step when the document is taken alone

"Y" document of particular relevance; the claimed invention cannot be considered to involve an inventive step when the document is combined with one or more other such documents, such combination being obvious to a person skilled in the art

"&" document member of the same patent family

Date of the actual completion of the international search

01-12-2014

Date of mailing of the international search report

01-12-2014

Name and mailing address of the ISA/

Indian Patent Office
Plot No.32, Sector 14, Dwarka, New Delhi-110075
Facsimile No.

Authorized officer

Swati Pandey

Telephone No. +91-1125300200