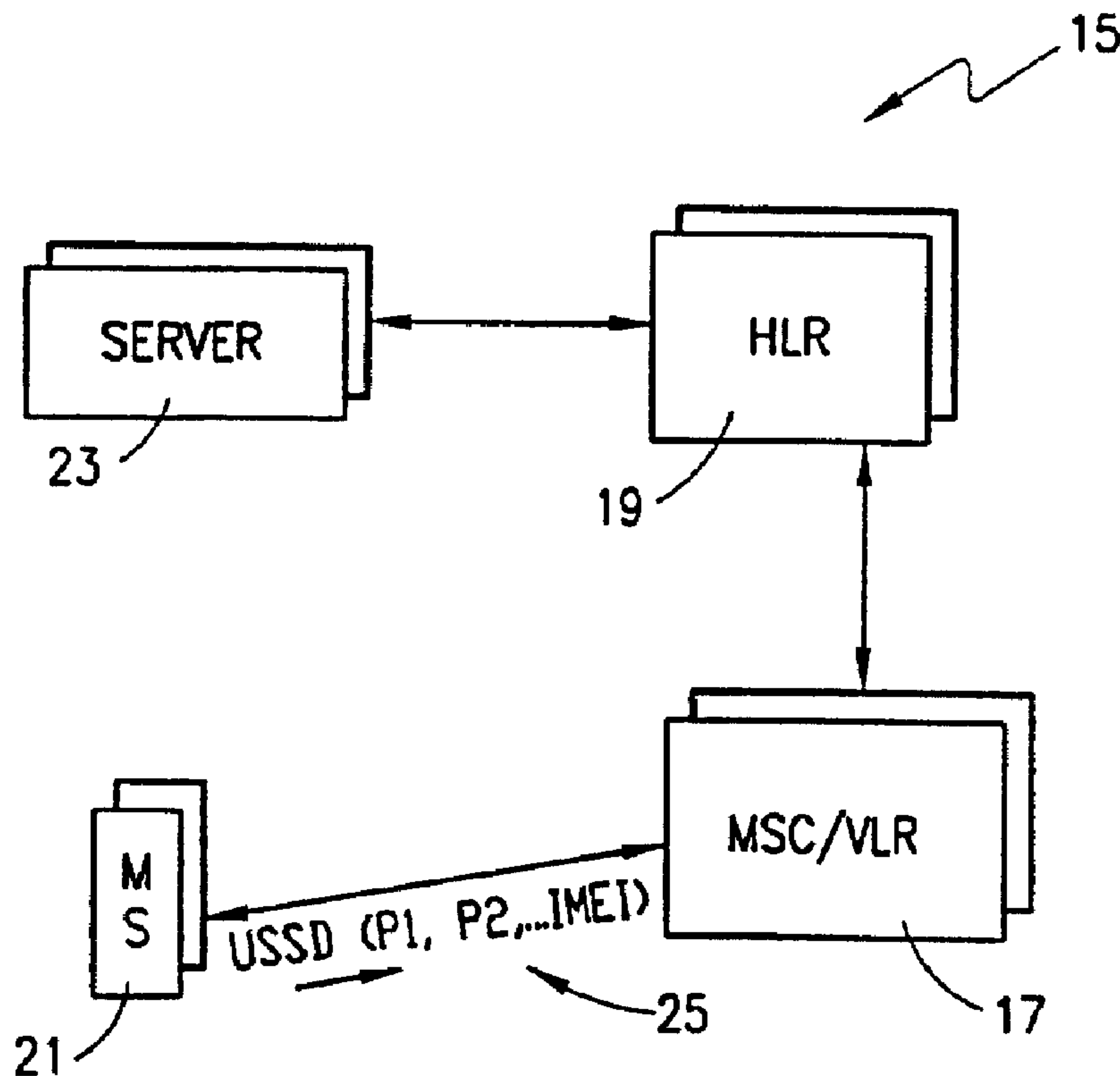




(86) Date de dépôt PCT/PCT Filing Date: 1999/01/26  
 (87) Date publication PCT/PCT Publication Date: 1999/08/19  
 (45) Date de délivrance/Issue Date: 2009/07/07  
 (85) Entrée phase nationale/National Entry: 2000/08/03  
 (86) N° demande PCT/PCT Application No.: SE 1999/000104  
 (87) N° publication PCT/PCT Publication No.: 1999/041931  
 (30) Priorité/Priority: 1998/02/11 (US09/022,217)

(51) Cl.Int./Int.Cl. *H04W 4/00* (2009.01),  
*H04W 76/02* (2009.01)  
 (72) Inventeur/Inventor:  
SKOG, BENGT ROBERT, SE  
 (73) Propriétaire/Owner:  
TELEFONAKTIEBOLAGET LM ERICSSON, SE  
 (74) Agent: NICOLAESCU, SAWYER

(54) Titre : DEMANDE DE SERVEUR COMPRENANT UN CODE D'ADAPTATION DE SERVICE A UNE STATION  
MOBILE CELLULAIRE DEMANDEUR  
 (54) Title: SERVER REQUEST INCLUDING CODE FOR CUSTOMIZING SERVICE TO REQUESTING CELLULAR  
MOBILE STATION



(57) Abrégé/Abstract:

A mobile station operating in a cellular communication network requests service from a server coupled to the cellular communication network. Within the mobile station is composed a request for service including a code for use by the server in determining operational capabilities of the mobile station. The request for service is then sent from the mobile station to the server. The server uses the code to determine operational capabilities of the mobile station, and then provides a level of service to the mobile station commensurate with the operational capabilities of the mobile station.

## Abstract

A mobile station operating in a cellular communication network requests service from a server coupled to the cellular communication network. Within the mobile station is composed a request for service including a code for use by the server in determining operational capabilities of the mobile station. The request for service is then sent from the mobile station to the server. The server uses the code to determine operational capabilities of the mobile station, and then provides a level of service to the mobile station commensurate with the operational capabilities of the mobile station.

## SUBSTITUTE SHEET

-1-

**SERVER REQUEST INCLUDING CODE FOR CUSTOMIZING SERVICE  
TO REQUESTING CELLULAR MOBILE STATION****5 FIELD OF THE INVENTION**

This invention relates to cellular communications and, more particularly, the use of a mobile station to access a server via a cellular communication network.

**BACKGROUND OF THE INVENTION**

**10** FIGURE 1 diagrammatically illustrates a mobile station (MS) 11 which accesses a server 13 via a cellular communications network 15 including an MSC/VLR 17 and an HLR 19. Various conventional components of the cellular network

15 (such as the base station system) are omitted for clarity of exposition. The cellular network may be a GSM (Global System for Mobility) network. An arrangement of this type is disclosed in WIPO document WO 96/20572, and in U.S. Patent number 5,752,188 and in Canadian Patent number 2,208,415.

**20** The server 13 is located externally relative to the cellular network 15, but is coupled to HLR for communication with the cellular network. The mobile station 11 sends a request for service to MSC/VLR 17, as indicated at 12 in FIGURE 1. The request may be formatted according to the conventional Unstructured Supplementary Service Data (USSD) protocol. The USSD protocol is defined in the ETSI Draft prETS 300 625 (GSM 02.90 version 4.1.0), and in ETSI GSM 03.90 version 5.0.0.

**25** MSC/VLR 17 forwards the USSD request received from the mobile station 11 to HLR 19, which in turn forwards the request to the server 13. These communications are carried out using conventional MAP-USSD protocol, wherein MAP is the GSM acronym for Mobile Application Part. The server 13 can be any type  
**30** of service node, and is typically capable of servicing a wide variety of mobile stations having a wide variety of operational characteristics. The server is capable of providing different levels of service commensurate with the different operational capabilities of

-2-

the mobile stations. However, for a given request, the server has no way to determine what level of service is appropriate. Accordingly, the server 13 typically provides, in response to a USSD request for service, a generic level of service which is appropriate for the least sophisticated mobile station that can be expected to request service. The service is provided by the server in a USSD reply to the USSD request. The reply is passed from the server to HLR, from HLR to MSC/VLR, and from MSC/VLR to the mobile station. Thus, mobile stations having higher levels of operational capability will typically receive a lower level of service that is commensurate with a mobile station having a lower level of operational capability. The higher level operational capabilities of the more sophisticated mobile stations are typically not utilized by the lower level of service that is provided by the server 13.

It is therefore desirable to enable a server to provide to each requesting mobile station a level of service commensurate with the operational capabilities of that mobile station.

In the present invention, the mobile station provides in its request for service information from which the server can determine the operational capabilities of the mobile station. Once the operational capabilities of the mobile station have been determined by the server, the server can then provide a level of service commensurate with those operational capabilities.

## BRIEF DESCRIPTION OF THE DRAWINGS

FIGURE 1 illustrates a conventional example of a mobile station using a cellular network to request services from a server.

FIGURE 2 illustrates an example according to the present invention of a mobile station using a cellular network to request services from a server.

FIGURE 3 illustrates the operation of the server of FIGURE 2 in response to the request received from the mobile station.

FIGURE 4 illustrates a portion of the server of FIGURE 2 in more detail.

FIGURE 5 illustrates the mobile station of FIGURE 2 in more detail.

## DETAILED DESCRIPTION

Exemplary FIGURE 2 illustrates a mobile station 21 requesting service from a server 23 via a cellular network 15 according to the present invention. The server 23 is located externally relative to the cellular network 15, but is coupled to HLR for

-3-

communication with the cellular network. The server 23 can be any type of service node capable of servicing mobile stations.

In FIGURE 2, the request from mobile station 21 proceeds to MSC/VLR 17 and is forwarded to HLR 19 from which it is forwarded to server 23. As illustrated in FIGURE 2, the USSD request at 25 includes the conventional parameters normally included in a USSD request, represented in FIGURE 2 at P1, P2, etc. The USSD request also includes the International Mobile Station Equipment Identity (IMEI) code which uniquely identifies the mobile station 21. The IMEI code is conventionally incorporated by the manufacturer into a module which is built into the mobile station and is physically secured therein. The IMEI code uniquely identifies the mobile station as a piece of equipment, and is often used conventionally to identify a mobile station as either a valid or not valid customer during call set-up.

Exemplary FIGURE 3 illustrates the operation of server 23 in response to receipt of the USSD request for service illustrated in FIGURE 2. At 31, the server receives the USSD request, including the IMEI code. At 33, the server uses the IMEI code to obtain from a table information regarding the operational capabilities of the mobile station 21. It is then determined at 35 whether or not the mobile station 21 has a high enough level of operational capability to warrant a customized reply, or whether the operational capabilities only warrant a generic reply similar to that used in the prior art. Thereafter, either a custom reply is assembled at 39 based on the data that was obtained regarding the operational capabilities of the mobile station, or the server defaults to the generic reply at 37. The appropriate reply is then sent back to the mobile station at 38.

The reply of server 23 is sent from server 23 back to HLR 19, and is then forwarded to MSC/VLR 17, from which it is forwarded to the mobile station 21.

As one example, the server 23 could provide a conventional service such as Unified Messaging Service. This conventional service organizes the mobile station's access to voice mail, fax mail, etc. In this instance, the generic reply or service to which the server 23 defaults might be to merely provide the mobile station with the number of voice mail messages that have been received. On the other hand, a customized reply for a mobile station with higher levels of operational capabilities might include, for each voice mail message received, the time of receipt of the voice

-4-

mail message, the length of the voice mail message, etc. A mobile station having an even higher level of operational capability, such as one that supports Java, might actually receive the entire voice mail application from the server. In this case, the mobile station can actually run the voice mail application itself rather than merely receive results from the server.

As another example of differing mobile station operational capabilities, one mobile station may have an advanced graphic display, so that the server can provide to the mobile station graphics instead of or in addition to text, while another less sophisticated mobile station might have a less sophisticated graphics display or no graphics display at all, in which case the server would not provide as much or as detailed graphical information as it would if the mobile station had a more sophisticated graphics display.

Example FIGURE 4 illustrates a portion of the server 23 of FIGURE 2 in more detail. As shown in FIGURE 4, the USSD request including the IMEI code is received at an input 41 of server 23. The USSD request is received by the server application. The IMEI code is applied to an information storage apparatus 43 in order to obtain from a lookup table or other database therein the operational capabilities of the mobile station corresponding to the IMEI code. The information regarding operational capabilities is provided to the server application at 45. The server application then determines from the operational capabilities whether or not a customized reply is necessary. Either the customized reply or the default reply is then output at 49.

Example FIGURE 5 illustrates the mobile station 21 of FIGURE 2 in greater detail. In particular, the mobile station 21 includes a radio transceiver (XCVR) 51 coupled to an input/output antenna 53. The mobile station 21 also includes the IMEI code fixedly secured therein as described above. The USSD request of FIGURE 2 is output from the transceiver 51 and antenna 53, and the reply from the server 23 is received by the antenna 53 and transceiver 51.

Although exemplary embodiments of the present invention have been described above in detail, this does not limit the scope of the invention, which can be practiced in a variety of embodiments.

## SUBSTITUTE SHEET

5

## WHAT IS CLAIMED IS:

1. A server (23) connectable to a cellular communication network (15) arranged for providing a service via the cellular communication network to a mobile station (21) operating in the cellular communication network, comprising:
  - 5           - an input (41) arranged for receiving from the mobile station via the cellular communication network a request message for a service provided by the server, and
  - an output (49) arranged for providing a reply message responsive to the request message for the service,
- 10           characterized in that said request message for the service includes a code uniquely identifying the mobile station for determining operational capabilities of the mobile station; the operational capabilities indicating what level of the service the mobile station is capable of handling, and in that said server is further arranged for using said received code to determine the operational capabilities of the mobile station, and in  
15           that said reply message is customized to the determined operational capabilities of the mobile station so that the requesting mobile station is provided with a level of the service commensurate with the operational capabilities of the mobile station.
2. The server (23) according to claim 1, further comprising an information storage apparatus (43) having stored therein information indicative of the operational capabilities of the mobile  
20           station (21), said information storage apparatus having an input to receive said code and an output to provide the information responsive to said code.
3. The server (23) according to any of claims 1-2, wherein the server is further coupled to an information storage apparatus (43) having stored therein information indicative of the operational capabilities of the mobile station (21), and wherein the server is further arranged  
25           to obtain from the information storage apparatus the operational capabilities of the mobile station corresponding to the code.
4. The server (23) according to any of claims 1-3, wherein the request message for the service is made according to Unstructured Supplementary Service Data, USSD, protocol.

## SUBSTITUTE SHEET

6

5. The server (23) according to any of claims 1-4, wherein the server is arranged to provide the mobile station (21) with a level of the service in the reply message.
6. A method in a server (23) connectable to a cellular communication network (15) for processing a request message for a service received from a mobile station (21) through the cellular communication network and for providing the service to said mobile station, comprising:
- receiving a request message for a service provided by the server from the mobile station via the cellular communication network, and
  - sending a reply message to the mobile station responsive to the request message for the service, characterized in that said request message for the service includes a code uniquely identifying the mobile station for determining operational capabilities of the mobile station, the operational capabilities indicating what level of the service the mobile station is capable of handling, and in that the method further comprises the step of using said received code to determine the operational capabilities of the mobile station, and in that the reply message is customized to the determined operational capabilities of the mobile station so that the requesting mobile station is provided with a level of the service commensurate with the operational capabilities of the mobile station.
7. The method according to claim 6, wherein said using step includes using said code to access stored information that is indicative of the operational capabilities of the mobile station (21).
8. The method according to any of claims 6-7, wherein said sending step and said receiving step each include using Unstructured Supplementary Service Data, USSD, protocol.
9. The method according to any of claims 6-8, wherein said code is an International Mobile station Equipment Identity, IMEI, code uniquely associated with the mobile station (21).
10. The method according to any of claims 6-8, wherein the step of providing is accomplished in the step of sending a reply message.

## SUBSTITUTE SHEET

7

11. A mobile station (21) suitable for operating in a cellular communication network, the mobile station comprising wireless transmission means (51, 53) arranged for communicating with the cellular communication network and with a server (23) associated with the cellular communication network, the mobile station being arranged for:
- 5           - sending, to the server, a request message for a service provided by the server, and
- receiving a reply message responsive to said request message, comprising the requested service, from the server,
- characterized in that the mobile station is further arranged for including to the request message, a code uniquely identifying the mobile station so that the server can
- 10           determine the operational capabilities of the mobile station, and in that the mobile station is arranged for receiving in the reply message, a level of the requested service commensurate with the operational capabilities of the mobile station.
12. A mobile station (21) according to claim 11, where the operational capabilities of the mobile station indicate what level of service the mobile station is capable of handling.
- 15   13. A mobile station (21) according to claim 11 or 12, where the operational capabilities of the mobile station are hardware and/or software characteristics of the mobile station.
14. A method in a mobile station (21), connectable to a cellular communication network, suitable for processing a request message for a service to a server and for receiving a service from said server, the mobile station comprising wireless transmission means (51, 53) arranged for
- 20           communicating with the cellular communication network and with a server (23) associated with the cellular communication network, the method comprises the steps of:
- sending, to a server, a request message for a service provided by the server, and
- receiving a reply message responsive to said request message, comprising the requested service, from the server,

SUBSTITUTE SHEET  
7A

characterized in that the request message includes a code uniquely identifying the mobile station so that the server can determine the operational capabilities of the mobile station, and in that the mobile station receives in the reply message, a level of the requested service commensurate with the operational capabilities of the mobile station.

5

15. A method according to claim 14, where the operational capabilities of the mobile station indicate what level of service the mobile station is capable of handling.

16. A method according to claim 14 or 15, where the operational capabilities of the mobile station are hardware and/or software characteristics of the mobile station.

10 17. An information storage, suitable for obtaining the operational capabilities of a mobile station connectable to a cellular communication network, connected to the cellular communication network and said information storage comprises,

- means for receiving a request message,
- means for sending a reply message to the request message,

15

characterized in that,

- the information storage comprises a database suitable for storing operational capabilities of mobile stations,
- the request message comprises a code uniquely identifying the mobile station,
- the reply message comprises information concerning the graphical capabilities of the display of the mobile station or information concerning the capabilities of supporting java of the mobile station

20

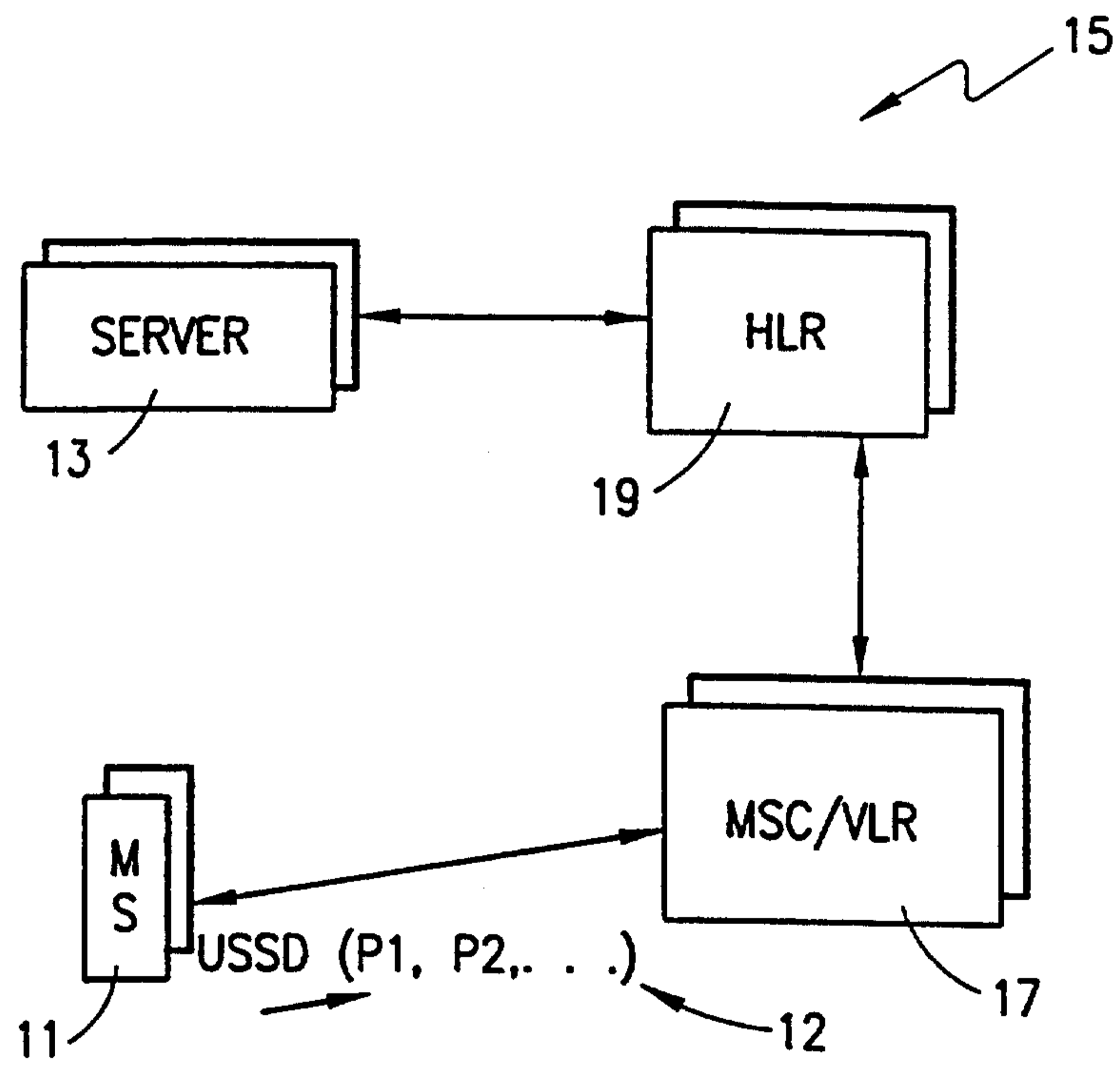
18. A method in a server, suitable for processing information about operational capabilities of a mobile station connectable to a cellular communication network, connected to the cellular communication network comprising the steps of:

25

- receiving, to the server, a request message,
- sending, from the server, a reply message to the request message,
- characterized in that,

**SUBSTITUTE SHEET  
7B**

- **the server comprises a database suitable for storing operational capabilities of mobile stations,**
- **the request message comprises a code uniquely identifying the mobile station,**
- **the reply message comprises information concerning the graphical capabilities of the display of the mobile station or information concerning the capabilities of supporting java of the mobile station**



**FIG. 1**  
(PRIOR ART)

*Manuscript*

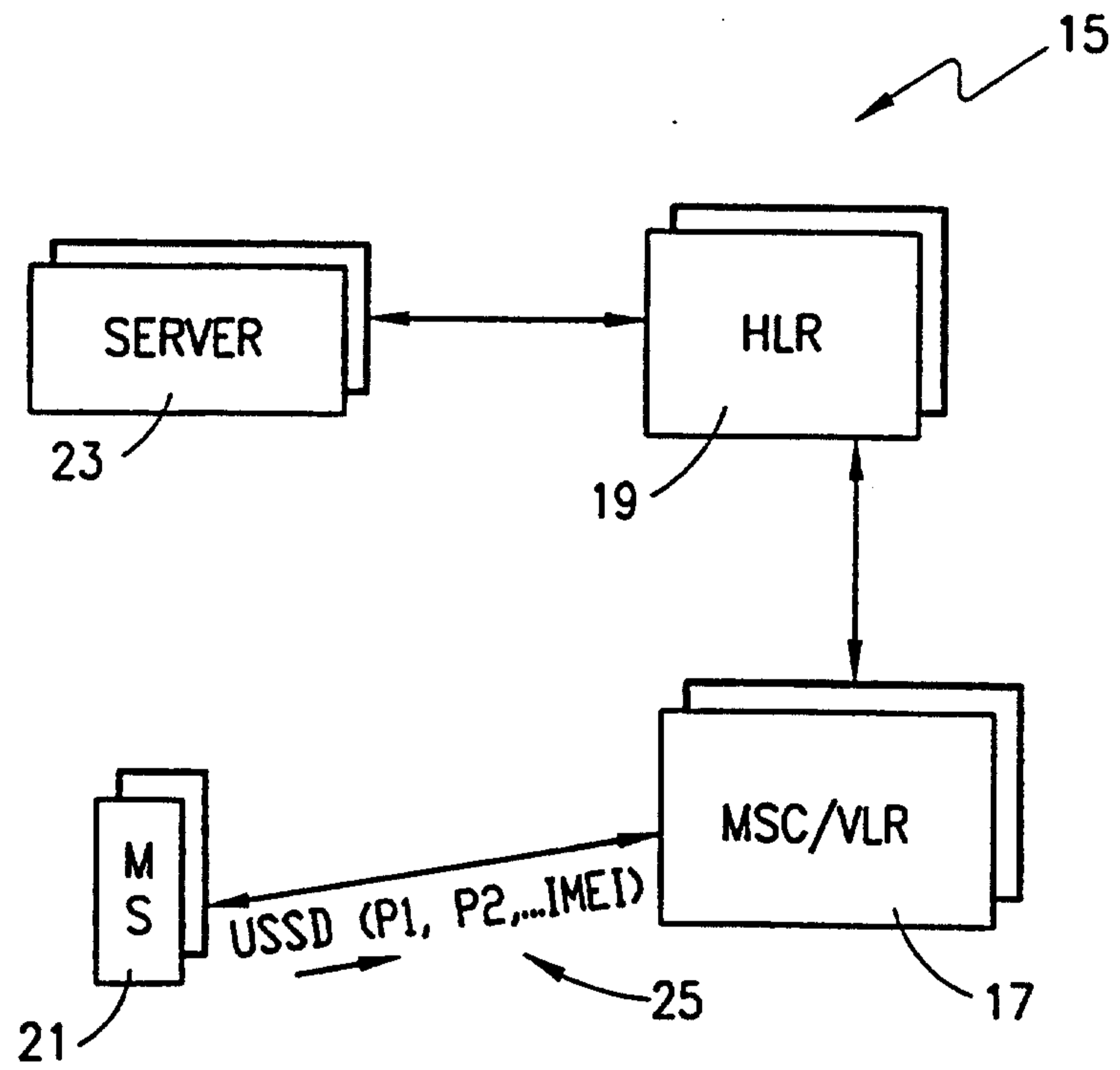


FIG. 2

3/4

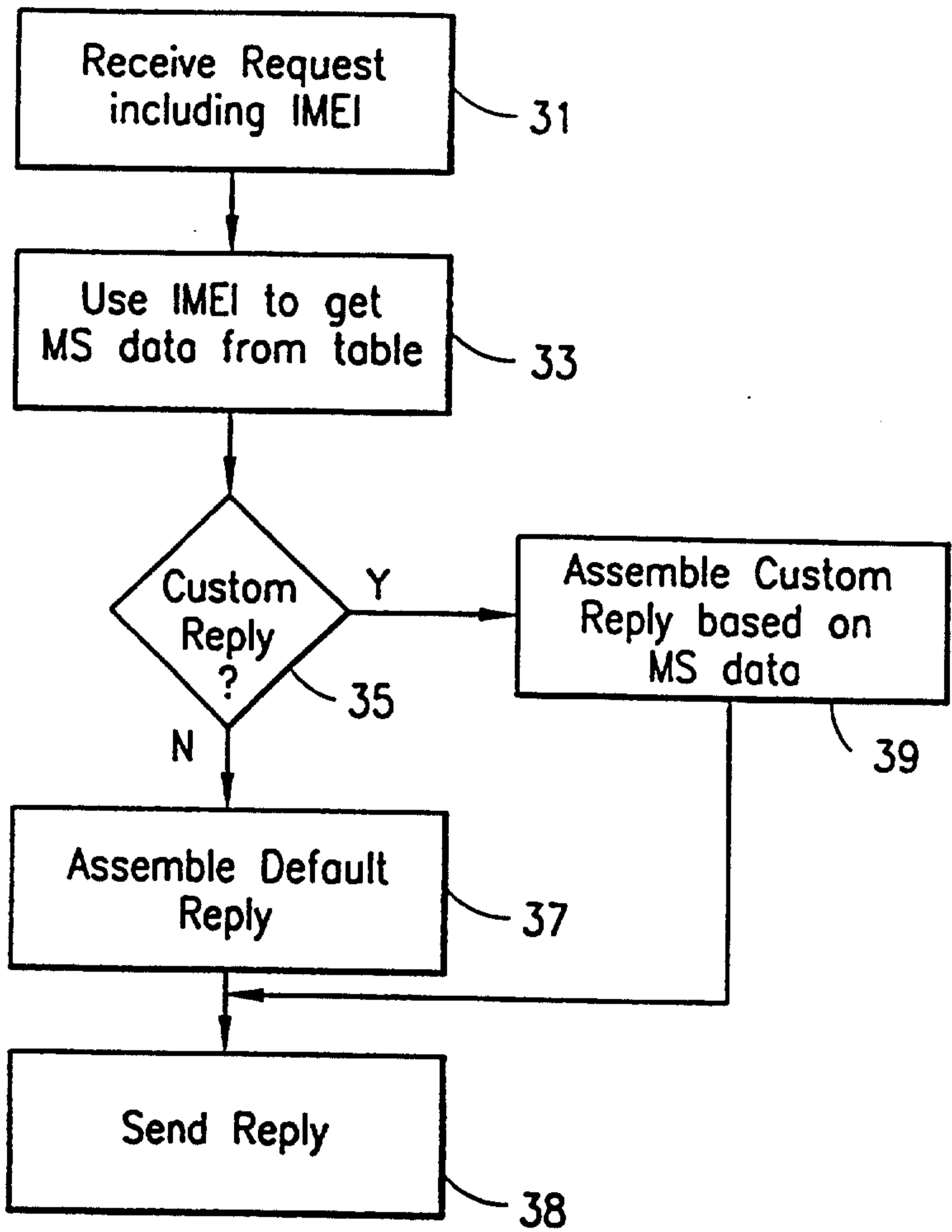


FIG. 3

*Marks + Clerk*

4/4

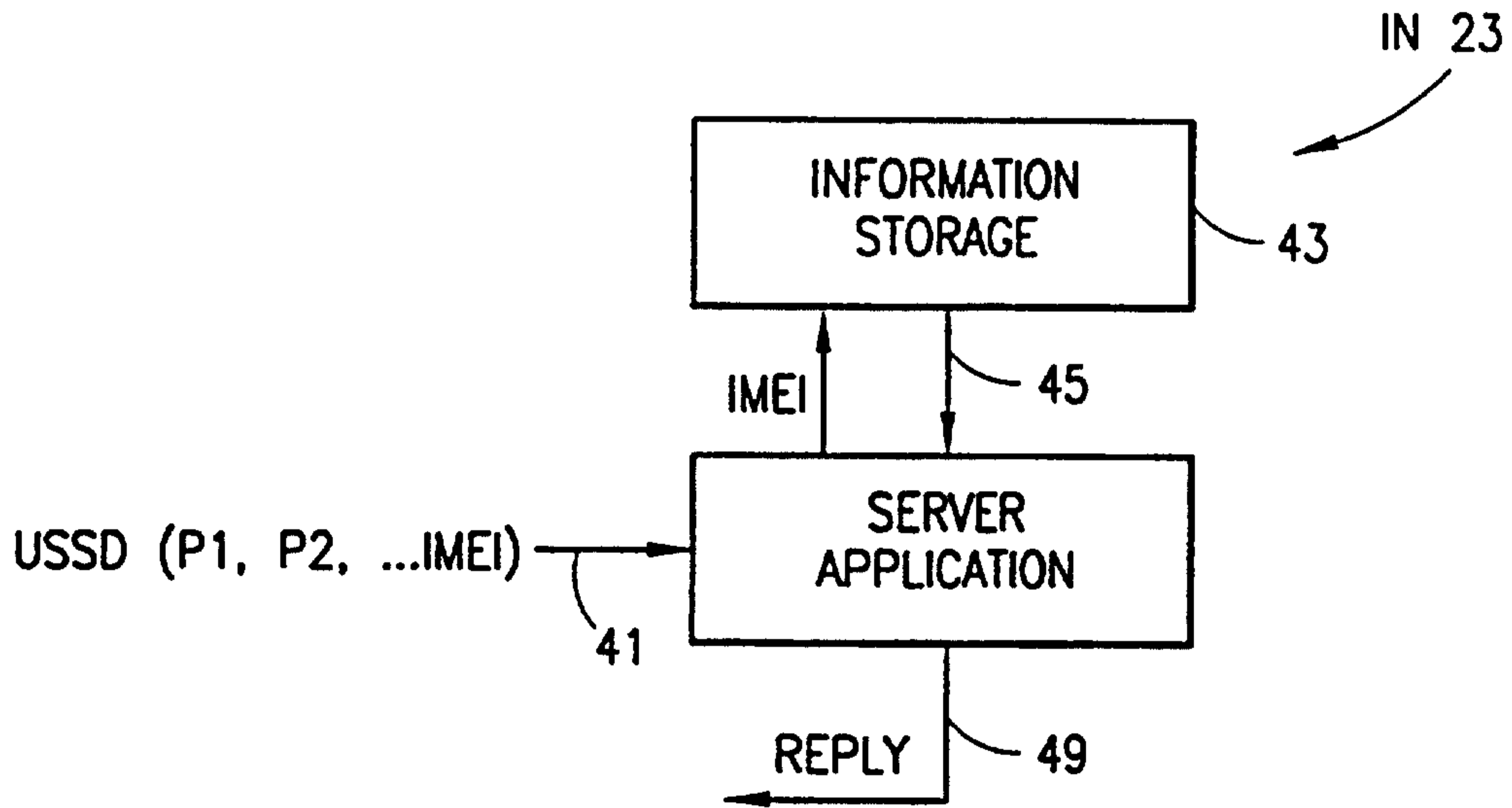


FIG. 4

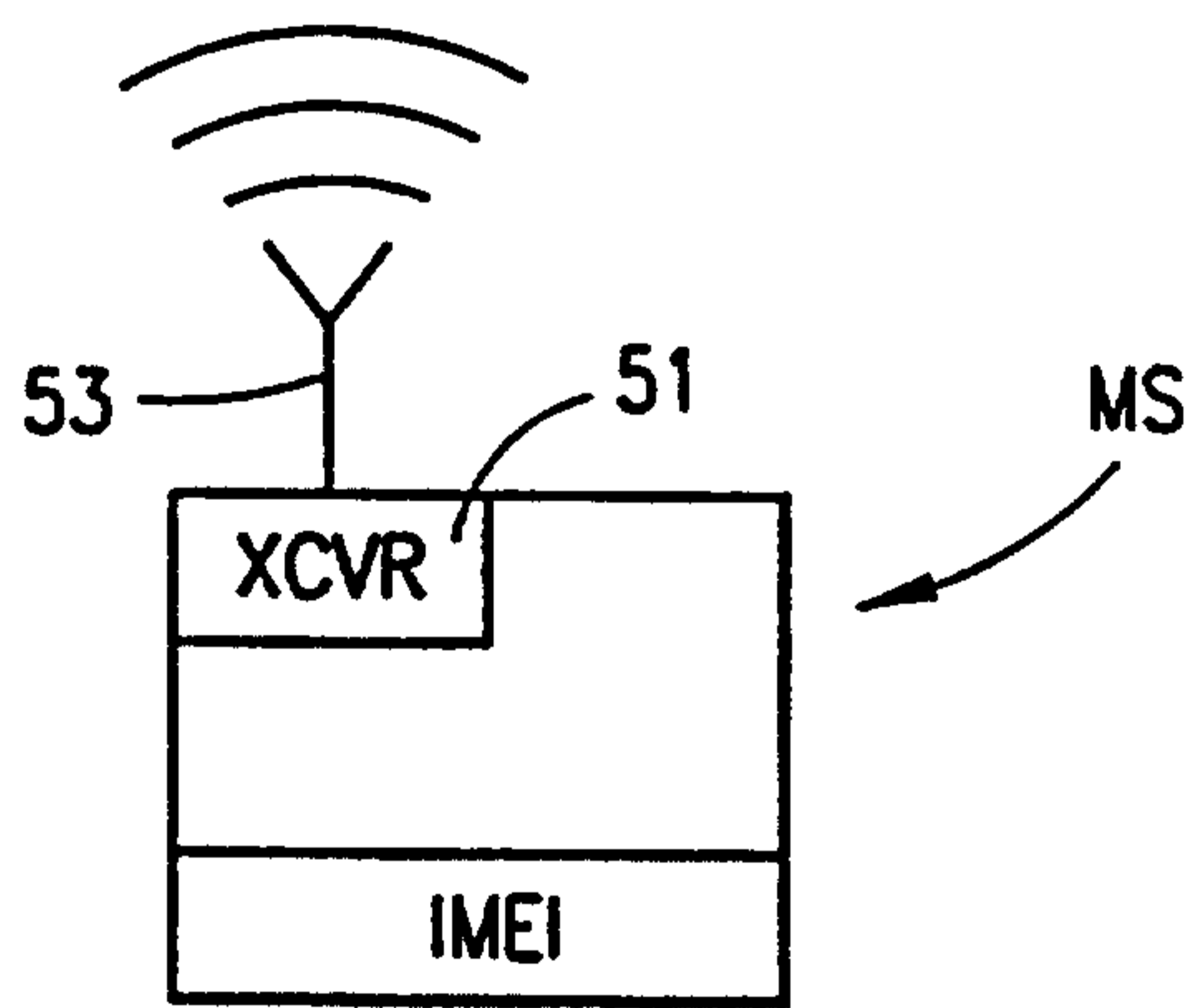


FIG. 5

