



(12) **United States Design Patent**
Ning

(10) **Patent No.:** **US D1,069,264 S**
(45) **Date of Patent:** **** Apr. 1, 2025**

(54) **PET SMART DRINKING FOUNTAIN**

(71) Applicant: **Jing Ning**, Henan (CN)

(72) Inventor: **Jing Ning**, Henan (CN)

(**) Term: **15 Years**

(21) Appl. No.: **29/920,541**

(22) Filed: **Dec. 12, 2023**

(30) **Foreign Application Priority Data**

Jul. 28, 2023 (CN) 202330477974.9

(51) **LOC (15) Cl.** **30-03**

(52) **U.S. Cl.**
USPC **D30/132**

(58) **Field of Classification Search**

USPC D30/123, 129, 132, 121; 119/69.5, 673, 119/57.8, 68, 74, 61.57, 78-81, 61.4, 119/57.9, 51.5, 61.5, 72, 475; 47/66.6, 47/39, 67, 83; 239/280, 200, 281, 280.5, 239/273, 16-32; 4/644, 627, 638; D7/558; D11/144, 145, 153; D99/5, 24; 27/1; D23/201, 292, 204, 205, 214-216, D23/200; 248/127, 132, 137, 138, 158, 248/910; 215/10; D6/353, 352, 484, D6/360, 480, 488; 219/521; 329/442, 329/459; 99/452, 483; 40/406, 407; 261/29, 106, 73; 137/560, 563, 801; 55/385.2; 417/527, 313; 431/292-294, 431/289; 362/101; D26/6, 9
CPC ... A01K 7/00; A01K 7/02; A01K 7/06; A01K 7/04; A01K 7/005; A01K 7/022; A01K 7/025; A01K 7/027; A01K 5/0216; A01K 39/02; F04B 23/00; F04B 23/02; F04B 23/021; F04B 23/026; B05B 17/08; B05B 17/085; B01D 35/30; Y10T 137/86035; Y10T 137/8376; Y10T 137/85954-85978

See application file for complete search history.

(56) **References Cited**

U.S. PATENT DOCUMENTS

11,968,964 B1 * 4/2024 He A01K 39/02
D1,045,246 S * 10/2024 Li D30/132
D1,050,626 S * 11/2024 Wang D30/132
D1,053,472 S * 12/2024 Huang D30/132
D1,055,412 S * 12/2024 Liang D30/132
D1,060,875 S * 2/2025 Wu D30/132
2024/0008449 A1 * 1/2024 Geng A01K 7/02
2024/0057552 A1 * 2/2024 Zou A01K 7/025

OTHER PUBLICATIONS

May 8, 2024, Smartoo Wireless Cat Fountain, https://www.amazon.com/dp/B0CXSYG2RR/ref=syn_sd_onsite_desktop_0.
Jan. 23, 2024, Joric Pet Fountain, https://www.amazon.com/Fountain-Operated-Drinking-Automatic-Stainless/dp/B0CT3G9FV8/ref=pd_ci_mcx_pspc_dp_2_t_3.

* cited by examiner

Primary Examiner — Susan Moon Lee
(74) *Attorney, Agent, or Firm* — Bartholomew Law PC; Michael Bartholomew

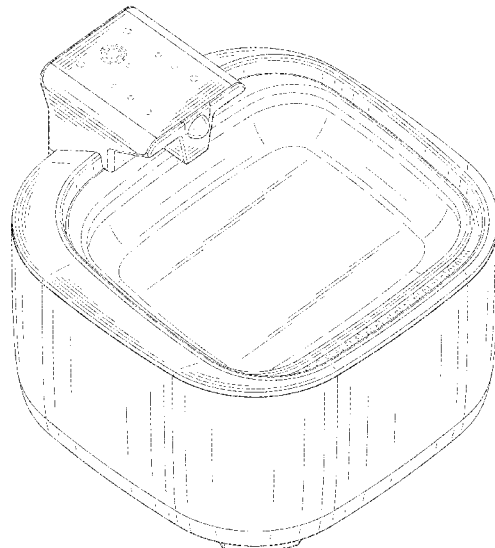
(57) **CLAIM**

The ornamental design for a pet smart drinking fountain as shown and described.

DESCRIPTION

FIG. 1 is a front, left and top perspective view of a pet smart drinking fountain, showing my design.
FIG. 2 is a rear, right and bottom perspective view thereof.
FIG. 3 is a front elevation view thereof.
FIG. 4 is a rear elevation view thereof.
FIG. 5 is a left side elevation view thereof.
FIG. 6 is a right side elevation view thereof.
FIG. 7 is a top plan view thereof; and,
FIG. 8 is a bottom plan view thereof.
The broken lines depict portions of the pet smart drinking fountain that form no part of the claimed design.

1 Claim, 8 Drawing Sheets



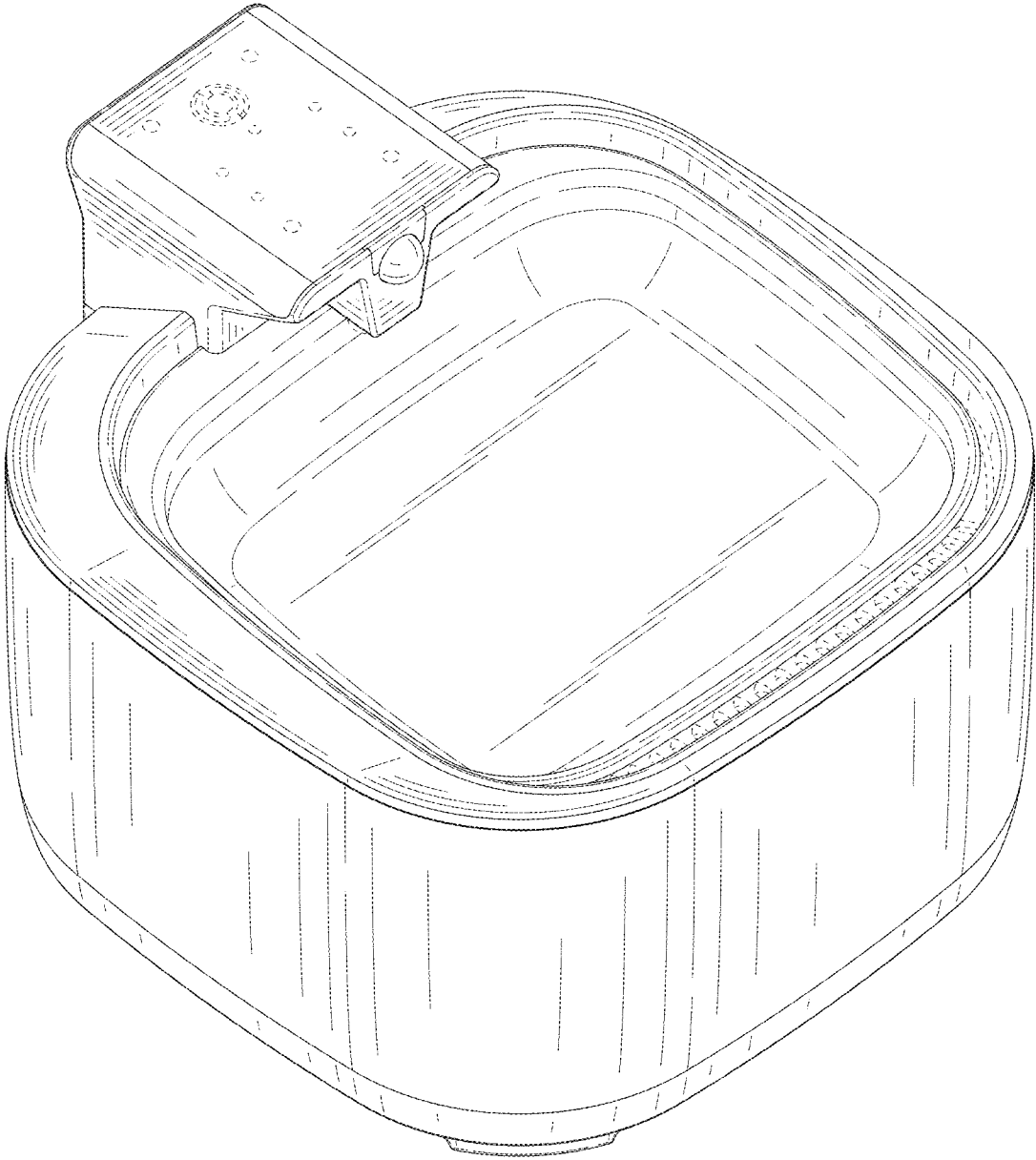


FIG. 1

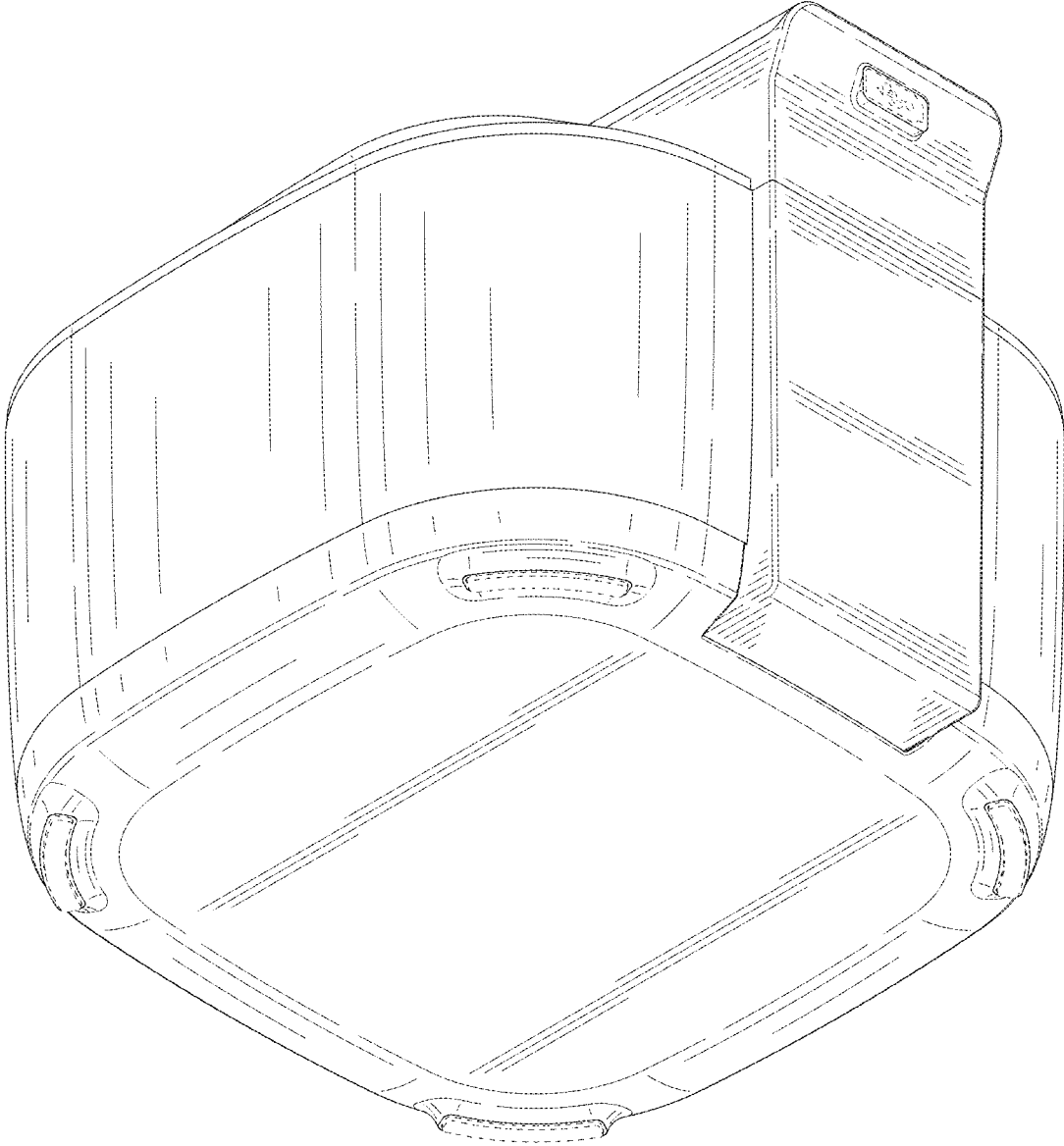


FIG. 2

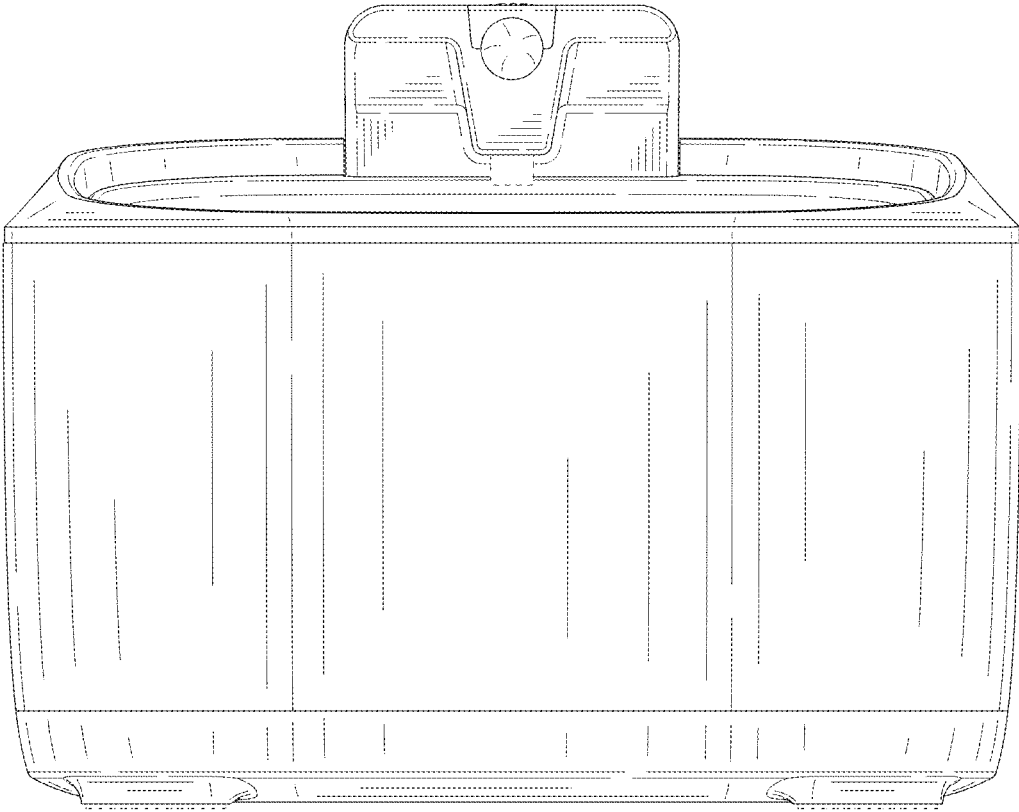


FIG. 3

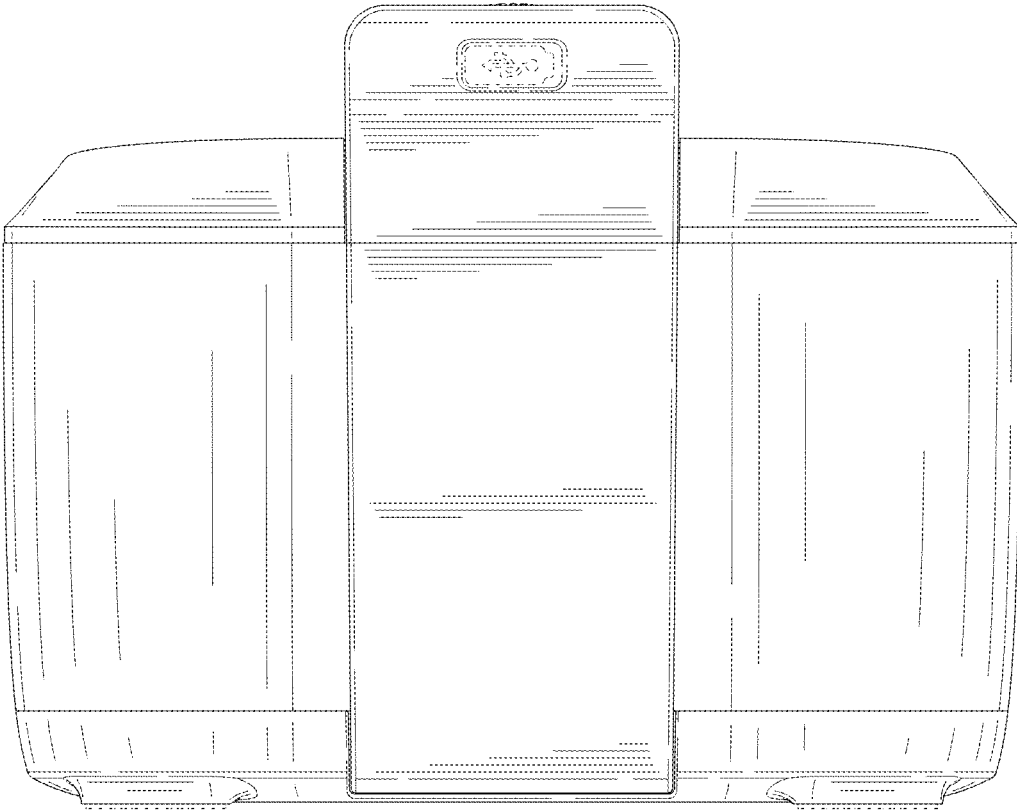


FIG. 4

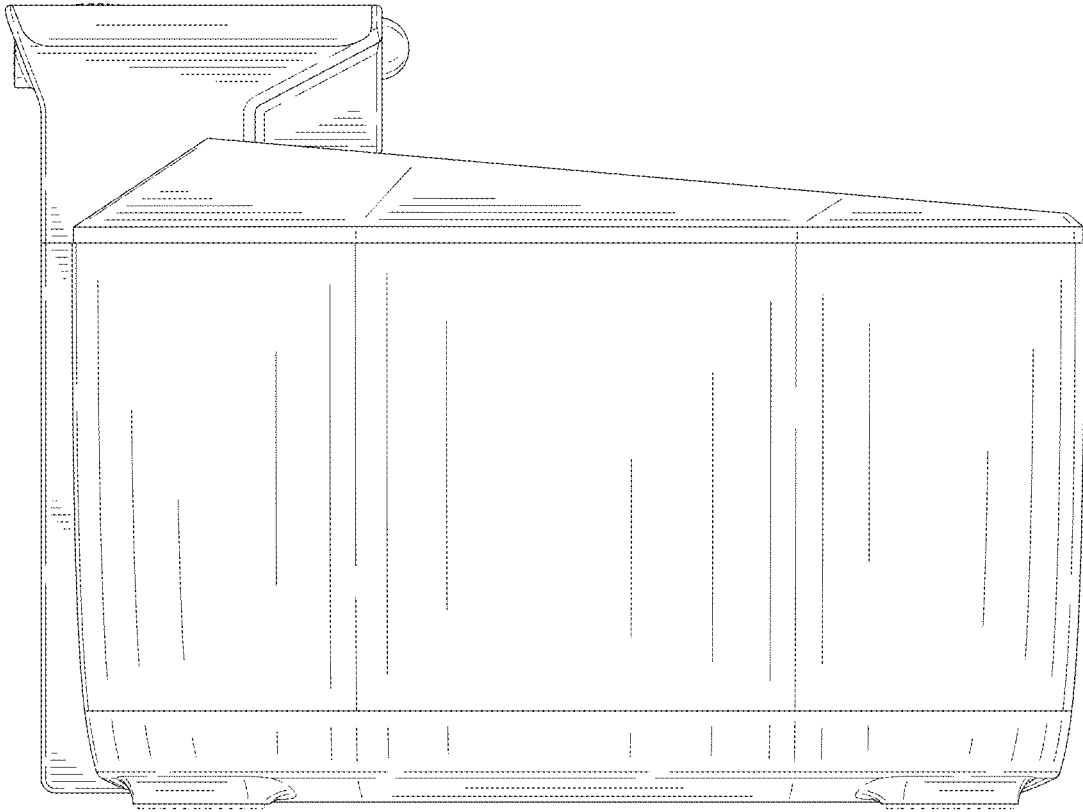


FIG. 5

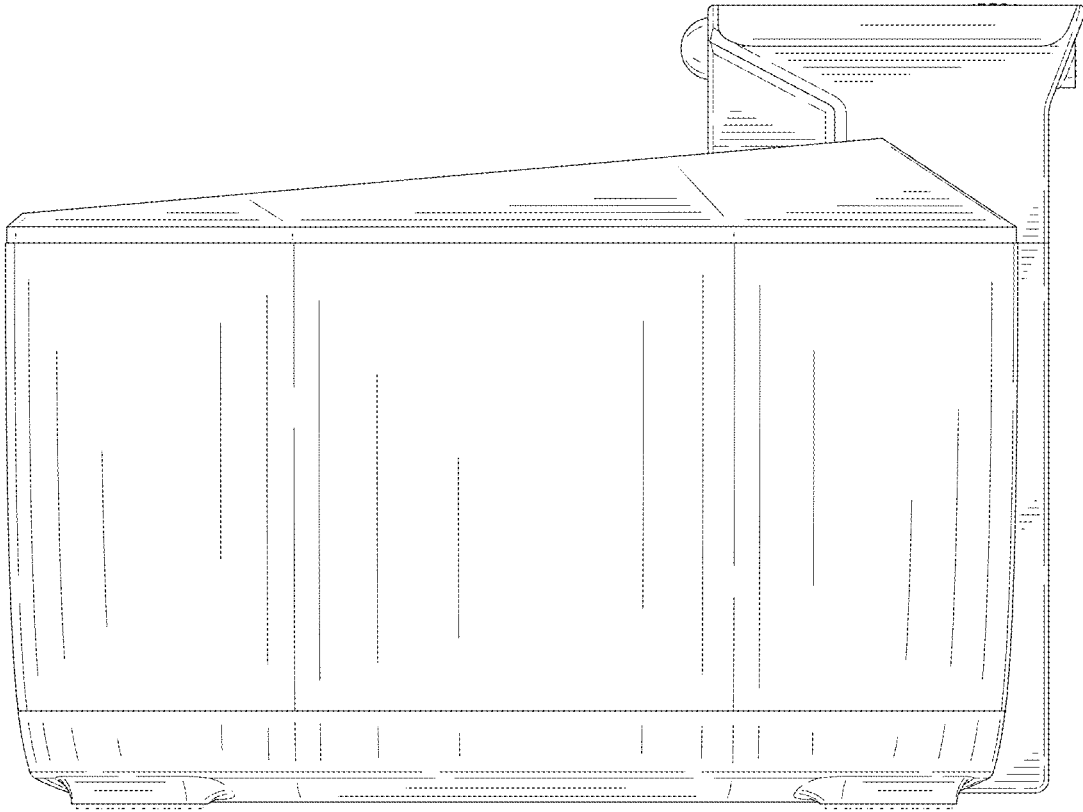


FIG. 6

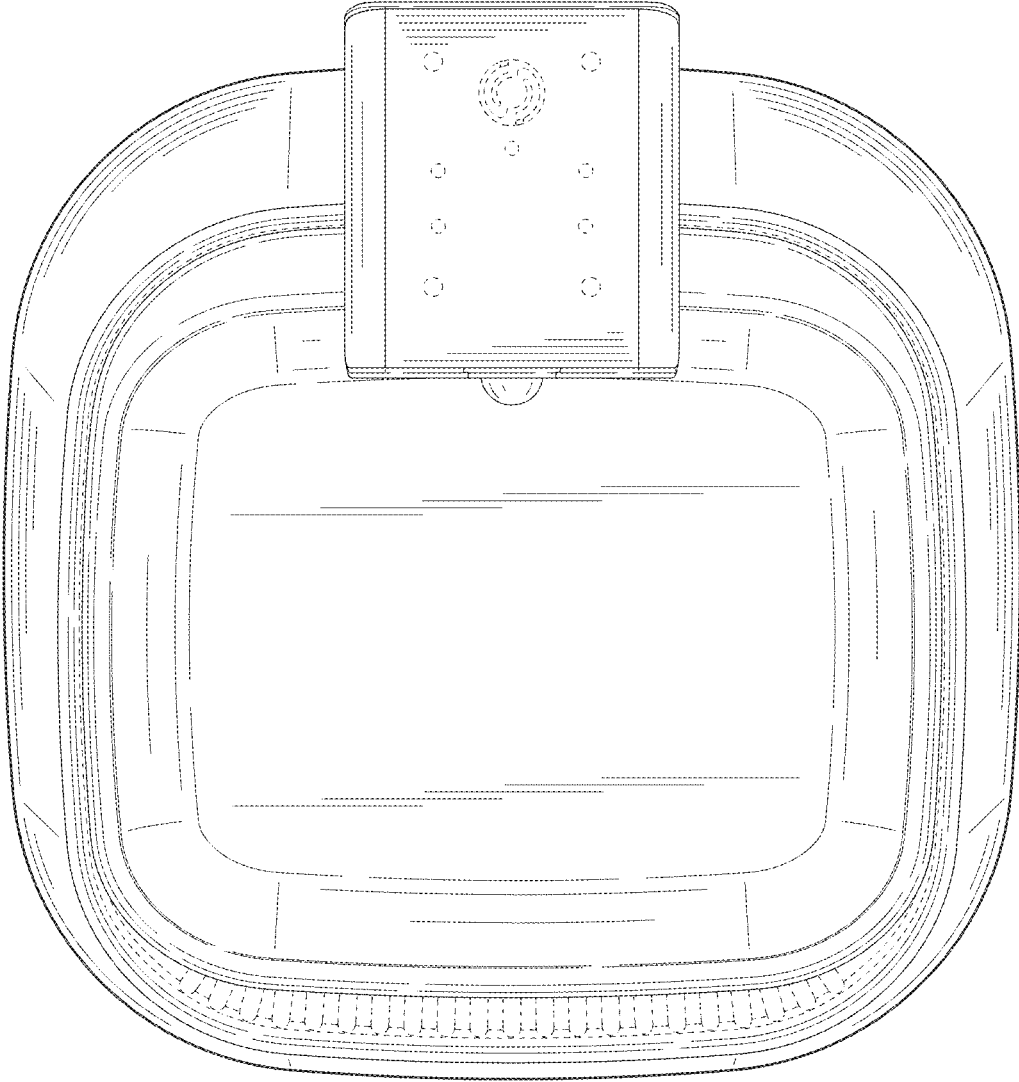


FIG. 7

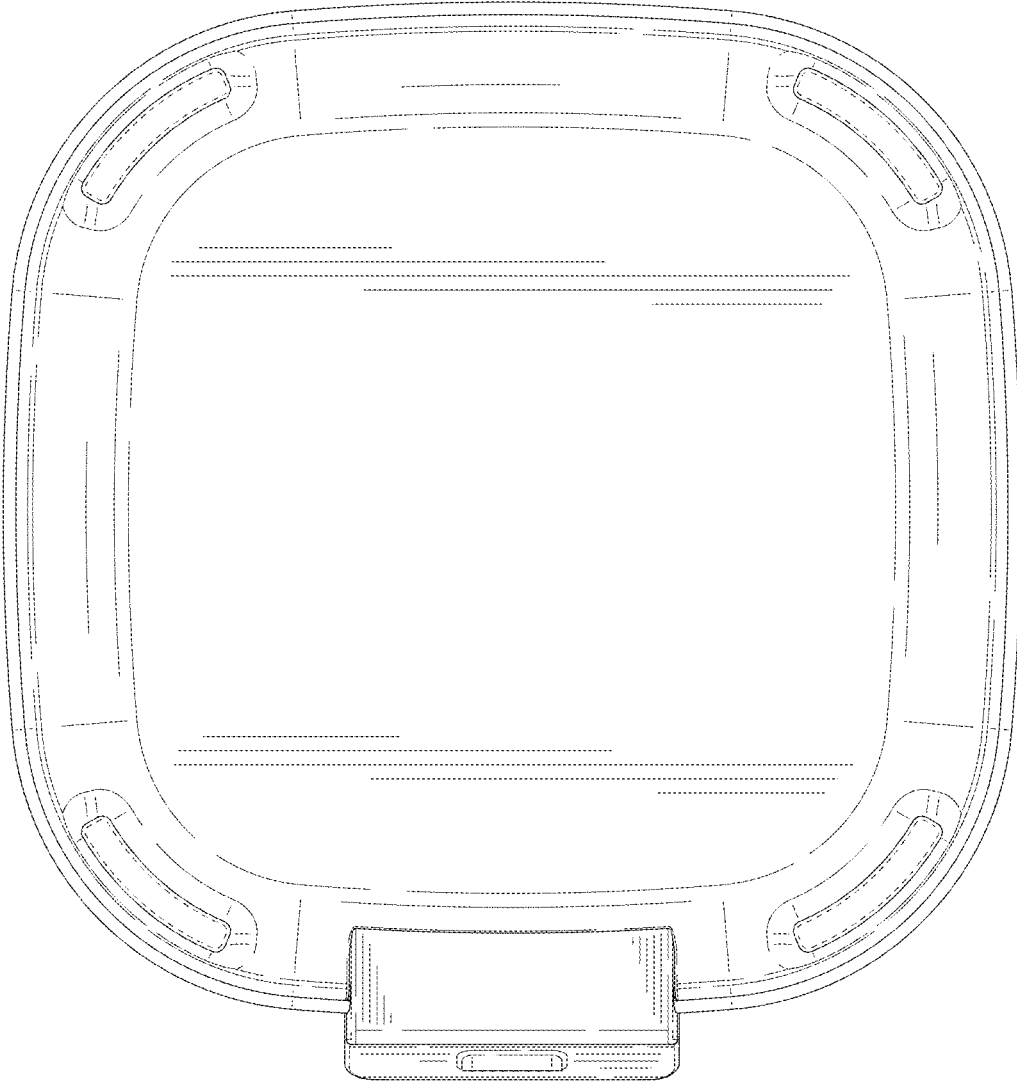


FIG. 8