



(72) SIDIKMAN, Paul, US

(72) WEISS, Lawrence D., US

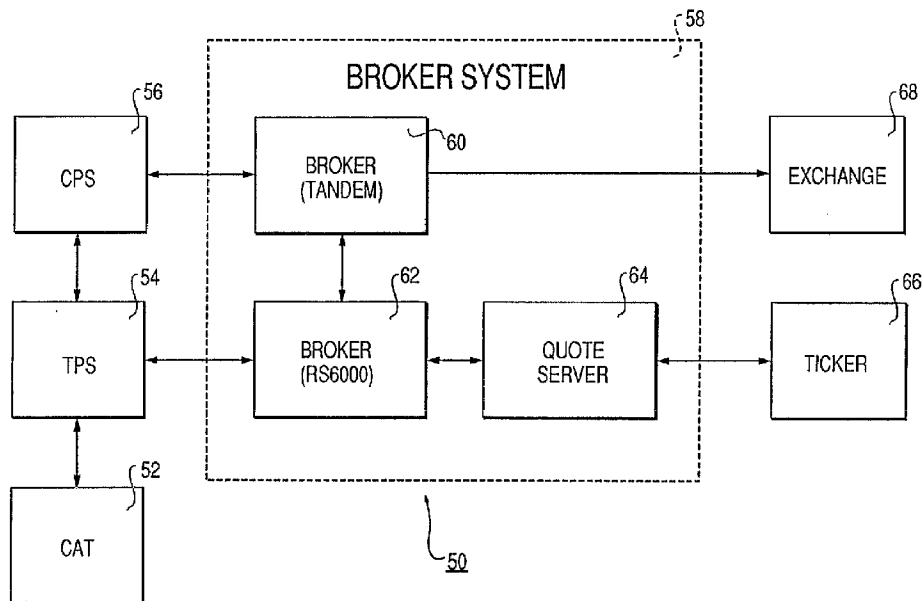
(71) CITIBANK, N.A., US

(51) Int.Cl.<sup>6</sup> G06F 17/60, G06F 19/00

(30) 1995/06/07 (08/483,710) US

(54) **PROCEDE ET DISPOSITIF VISANT A ASSURER UN SERVICE DE COURTAGE ET D'AUTRES SERVICES FINANCIERS PAR LE CANAL DE GUICHETS AUTOMATIQUES BANCAIRES**

(54) **METHOD AND SYSTEM FOR PROVIDING INTEGRATED BROKERAGE AND OTHER FINANCIAL SERVICES THROUGH CUSTOMER ACTIVATED TERMINALS**



(57) L'invention porte sur un procédé et un dispositif (50) visant à assurer des services financiers intégrés, notamment des services de courtage, par le canal d'un réseau de guichets automatiques (ATM) qui permettent de négocier des titres, d'évaluer des portefeuilles, le cours de valeurs mobilières et de se renseigner sur des

(57) A method and system (50) for providing integrated financial services including brokerage services through an ATM network permits trading of securities, portfolio evaluation, security price evaluation and brokerage account inquiries. The invention utilizes a familiar customer interface, a standard ATM (52) or a customer



(21) (A1) **2,223,766**  
(86) 1996/06/07  
(87) 1996/12/19

comptes de courtage. L'invention utilise une interface utilisateur usuelle, un réseau ATM (52) standard ou un guichet automatique bancaire, afin d'assurer des fonctions de courtage avec un réseau habituellement employé pour exécuter des fonctions bancaires traditionnelles. Le procédé et le dispositif (50) selon l'invention permettent de négocier une large gamme de valeurs librement négociables en mettant en rapport l'utilisateur avec un système de courtage (58). Des dispositions sont, en outre, prises pour obtenir en temps réel communication des prix observés pour l'évaluation de portefeuilles à partir des dernières activités ainsi que des ordres d'achat et de vente précis.

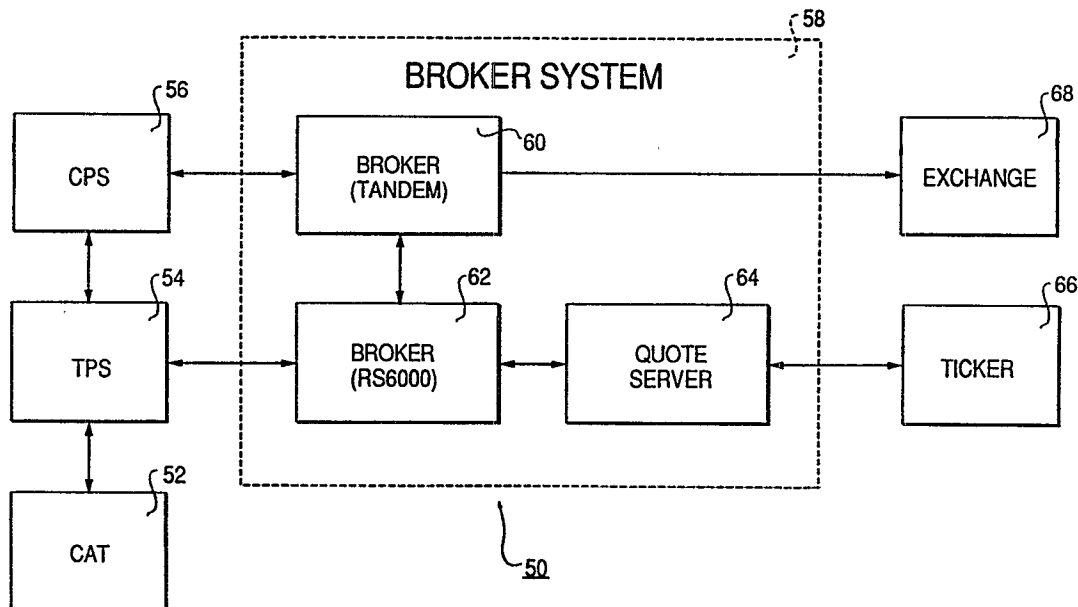
activated terminal, to provide brokerage functions with a network conventionally used to perform traditional banking functions. The system and method (50) according to the invention provides for trading of a wide variety of publicly traded security by linking the customer to a brokerage system (58). Provisions are further made for obtaining real time price quotations for up-to-the-minute portfolio evaluation and accurate buy and sell orders.

**CORRECTED  
VERSION\*****PCT**WORLD INTELLECTUAL PROPERTY ORGANIZATION  
International Bureau

INTERNATIONAL APPLICATION PUBLISHED UNDER THE PATENT COOPERATION TREATY (PCT)

(51) International Patent Classification <sup>6</sup> : <b>G06F 157/00</b>	<b>A1</b>	(11) International Publication Number: <b>WO 96/41293</b> (43) International Publication Date: 19 December 1996 (19.12.96)
<p>(21) International Application Number: PCT/US96/08690</p> <p>(22) International Filing Date: 7 June 1996 (07.06.96)</p> <p>(30) Priority Data: 08/483,710 7 June 1995 (07.06.95) US</p> <p>(71) Applicant (for all designated States except US): CITIBANK, N.A. [US/US]; 32nd floor, 909 Third Avenue, New York, NY 10043 (US).</p> <p>(72) Inventors; and (75) Inventors/Applicants (for US only): SIDIKMAN, Paul [-/US]; 30 Badger Drive, Livingston, NJ 07039 (US). WEISS, Lawrence, D. [-/US]; 2138 Lakeview Lane, Skaneateles, NY 13152 (US).</p> <p>(74) Agent: KILPATRICK &amp; CODY; Suite 800, 700 13th Street, N.W., Washington, DC 20005 (US).</p>	<p>(81) Designated States: AM, AT, AU, BB, BG, BR, BY, CA, CH, CN, CZ, DE, DK, EE, ES, FI, GB, GE, HU, JP, KE, KG, KP, KR, KZ, LK, LR, LT, LU, LV, MD, MG, MN, MW, MX, NO, NZ, PL, PT, RO, RU, SD, SE, SI, SK, TJ, TT, UA, US, UZ, VN, ARIPO patent (KE, LS, MW, SD, SZ, UG), European patent (AT, BE, CH, DE, DK, ES, FI, FR, GB, GR, IE, IT, LU, MC, NL, PT, SE), OAPI patent (BF, BJ, CF, CG, CI, CM, GA, GN, ML, MR, NE, SN, TD, TG).</p> <p><b>Published</b> With international search report.</p>	

(54) Title: METHOD AND SYSTEM FOR PROVIDING INTEGRATED BROKERAGE AND OTHER FINANCIAL SERVICES THROUGH CUSTOMER ACTIVATED TERMINALS



(57) Abstract

A method and system (50) for providing integrated financial services including brokerage services through an ATM network permits trading of securities, portfolio evaluation, security price evaluation and brokerage account inquiries. The invention utilizes a familiar customer interface, a standard ATM (52) or a customer activated terminal, to provide brokerage functions with a network conventionally used to perform traditional banking functions. The system and method (50) according to the invention provides for trading of a wide variety of publicly traded security by linking the customer to a brokerage system (58). Provisions are further made for obtaining real time price quotations for up-to-the-minute portfolio evaluation and accurate buy and sell orders.

METHOD AND SYSTEM FOR PROVIDING INTEGRATED  
BROKERAGE AND OTHER FINANCIAL SERVICES  
THROUGH CUSTOMER ACTIVATED TERMINALS

5 NOTICE OF COPYRIGHTED MATERIAL IN DISCLOSURE

A portion of the disclosure of this patent document contains material which is subject to copyright protection. The copyright owner has no objection to the facsimile reproduction by anyone of the patent document or the patent disclosure, as it appears in the Patent and Trademark Office patent file or records, but otherwise reserves all copyright rights whatsoever.

CROSS-REFERENCE TO RELATED APPLICATION

15 Reference is made to commonly owned co-pending application entitled "INTEGRATED FULL SERVICE CONSUMER BANKING SYSTEM AND SYSTEM AND METHOD FOR OPENING AN ACCOUNT," Serial No.08/473,975, filed June 7, 1996, the disclosure of which is incorporated by reference herein.

20

FIELD OF THE INVENTION

This invention relates to a method and a system for providing brokerage services through a network of automated teller machines. In particular, it relates to a method and system for buying and selling securities and for obtaining security price quotations.

25

BACKGROUND OF THE INVENTION

In the past, financial services have been made available in various ways depending on the type of service being offered. For a variety of reasons, the methods of providing brokerage services, such as the buying and selling of securities, and of providing traditional banking services, such as depositing and withdrawing funds, have been extremely divergent. For example, customers usually accessed banking services in the past through person to person service at branch

30

35

locations. More recently, the trend is toward increased automation of customer banking transactions primarily through use of automatic teller machines (ATMs). On the other hand, many brokerage services are often initiated  
5 by direct customer-broker contact, for example, over the telephone or by facsimile. Once an order is received, the brokerage company performs the requested service, such as buying or selling a particular security at the appropriate exchange.

10 For many customers, dealing with a service provider in person can prove to be burdensome. For instance, in order to buy a particular security, the customer will generally verify the current selling price of a security to be purchased and then contact a broker  
15 to request that the purchase be made. One or both of these steps introduces a time lag which may result in the transaction failing to go through as intended by the customer.

Recent technological developments have somewhat  
20 improved brokerage services. In particular, improved communications methods have made it easier for a customer to contact a broker to place an orders or to obtain information. Other new methods have also made it easier for the broker to implement orders and to obtain up-to-  
25 date information regarding security prices. For example, U.S. Patent Nos. 4,376,978, 4,597,046 and 4,774,663 describe a system for supervising a margin securities account wherein the system verifies various account activities, such as check cashing, and determines  
30 available credit so as to maintain free credit cash in one or more short term accounts. U.S. Patent No. 4,674,044 describes an automated securities trading system. U.S. Patent No. 5,270,922 describes a system for providing financial information such as market ticket,  
35 quotation and news information.

While providing many benefits, such prior art systems are generally limited to use by brokers or more sophisticated, affluent consumers who generate a fairly large volume of transactions. Moreover, while keeping track of certain other financial transactions for the purpose of preventing floats, these systems generally lack integration with non-brokerage financial transactions. In particular, most lack any means of providing the functions traditionally made available through a bank teller, such as depositing and receiving funds.

Some attempts have been made both to increase the availability of the financial services to a greater portion of the consumer market and to integrate various financial transactions. For example, the development of networks of automatic teller machines (ATMs) have greatly expanded the hours of operation during which banking services are available, while reducing operating costs. Generally, these machines have been used to reproduce the most common functions traditionally provided by a bank teller, such as receiving deposits, dispensing funds from a customers accounts, and responding to balance inquiries.

The assignee of the present invention has been an industry leader in developing improved techniques for delivery banking services. These techniques have particularly enhanced the customer's means of accessing various banking transactions. Fig. 1A illustrates some of the access points through which such services are made available to customers. These include an enhanced telephone 2, a personal computer 4, and a customer activated terminal (CAT) 6. As shown, the enhanced telephone 2 and the personal computer 4 provide access points to a proprietary service platform 8 known as home services delivery system (HSDS) 8. HSDS 8 interfaces with a front end system 10 referred to as a transaction

processing system (TPS) which is described in more detail below. Other access points 12 may include telephone or personal contact with bank representatives who can access the system on behalf of the customer.

5           In general, the terminals illustrated in Fig. 1A provide uniformity with regard to the interface between the customer and the bank's system. For example, the terminology used and the sequences of the displays by which the customer exchanges information present a high  
10 degree of consistency. This promotes ease of use and encourages a customer's reliance on automated delivery systems to perform banking transactions, rather than less efficient person to person contact between a customer and a bank representative.

15           Personal computers such as the one illustrated in Fig. 1A are well known in the art and require no further description. Enhanced telephones have been developed by an affiliate of the assignee, and are described in several patents, including U.S. Patent Nos.  
20 4,991,199, 5,088,927, 5,195,130, and 5,321,840.

          The CAT referred to in Fig. 1A is a particular type of ATM built for the assignee and its affiliates by Citicorp Transaction Technology Inc. Unlike many other  
25 ATMs which function primarily or solely as cash dispensing machines, CATs provide a wide range of banking functionality. These include "basic" services such as cash withdrawal, deposits and payments, transfer between accounts, balance inquiries, transaction histories, and  
30 purchases of travellers checks. As shown in Fig. 1B, a CAT 6 includes structures generally corresponding to those found in a conventional ATM to carry out these functions. Standard structures include a magnetic card  
35 reader 22 for reading information encoded on a customer's card, a depository 24 for accepting deposit and payment envelopes, and a cash dispensing mechanism 26. Internal

components include a processor 30 and a communications device 32 for data communication with a host system 10.

The CAT 6 also utilizes more advanced structures in comparison to many conventional ATMs. For example, the primary customer interface is a dynamic touch screen 28 which utilizes color graphics. This interface is more versatile than many other ATMs in that it is readily reconfigurable so as to accommodate changing newly developed functionality. Moreover, it provides an interactive display in which buttons and keys are replaced with images of familiar three-dimensional objects.

It will be appreciated that the enhanced telephone 2 and the personal computer 4 shown in Fig. 1A differ dramatically from the CAT 6 in that the former include no means to perform mechanical functions through a fund depository or a dispensing mechanism. However, all the data terminals illustrated in Fig. 1A, including the CAT 6, the enhanced telephone 2 and the personal computer 4 provide a substantially uniform interface for performing many other financial transactions. These financial transactions include traditional banking functions, such as transferring funds between a checking account and a savings account. Additionally, several of the access points referred to in Fig. 1A can be used to perform "non-traditional" functions, such as bill payment, information retrieval, and access to customer accounts for mutual funds offered by the present assignee and/or its affiliates. In particular, data terminals such as the CAT 6, the enhanced telephone 2, and the personal computer 4, have been used by customers to transfer funds among money market accounts, checking accounts, and savings accounts. They have also been used to purchase, redeem and exchange shares of mutual funds offered by companies affiliated with the assignee of the present invention. Delayed price quotations through a



vendor of such services have also been made available. Thus, these access points form a part of a increasingly integrated financial system.

While providing many benefits, the services  
5 available through the systems described in reference to Figs. 1A and 1B were limited in several respects. Foremost, no provision was made to buy, sell, or receive price quotations for the vast array of securities  
10 publicly available through various exchanges and other financial institutions. Instead, only a limited number of funds were available through an affiliated company. Moreover, being limited primarily to money market  
15 accounts, a danger existed that a less-sophisticated customer would not adequately distinguish between a transfer of funds between a federally insured account, such as a standard checking account, and a non-insured account.

#### SUMMARY OF THE INVENTION

20 In view of the limitations which have characterized previous financial service networks, it is an object of the invention to provide a system and a method for offering brokerage services through an ATM  
25 network. In particular it is an object of the invention to provide a system and method by which consumers can readily buy and sell securities, obtain brokerage account information, and obtain current security price  
information.

30 It is a further object of the invention to offer the above-mentioned services through a preexisting network that is familiar to customers, such as an ATM network.

35 It is yet another object of the invention to conveniently provide brokerage services in conjunction with other financial services, for example, bill payment, and deposits, withdrawals and transfers, but in a manner

which does not interfere with a customer's ability to distinguish between brokerage transactions and such other financial services.

In fulfillment of these various objects and  
5 others, disclosed is an integrated financial system comprising an automated teller machine for providing a customer interface to the financial system. The automated teller machine includes processor means, input means for receiving customer information from a customer,  
10 display means for displaying information to the customer, and a dispenser mechanism, wherein the processor means receives the customer information and controls the display and the dispensing mechanism. The system also includes first communication means for remote  
15 transmission of first data from the automated teller machine to a front end processor system. The front end system is coupled to the first communication means and interprets the data from the automated teller machine. It provides data to the automated teller machine whereby  
20 the front end processor system controls a plurality of customer interactive processes implemented through the automated teller machine processor means. The system also includes second communication means for transmission of third data from the front end processor system and a  
25 brokerage system. The brokerage system receives data from the front end processor system through the second communications means and provides fourth data thereto. The brokerage system maintains a record corresponding to a brokerage account, which includes indicia of the number  
30 and type of securities held on behalf of the customer. Further, the brokerage system receives trade orders from the customer through the automated teller machine and the front end system and places orders to implement the orders.

35 According to a feature of the invention, the integrated system further includes a quotation system for

providing securities price information substantially in real time through the brokerage system, the front end processor and the automated teller machine.

5 According to another feature of the inventor, the system also includes means to compute a current value of securities held on behalf of a customer based on the securities price information, wherein the current value is displayed to the customer with the automated teller machine upon request of the customer.

10 According to still another feature of the invention, the securities include stocks, bonds, and mutual funds.

15 According to yet another feature of the invention, the display means and the input means comprise a touch screen display.

20 According to still another feature of the invention, the system includes means for cross referencing a security symbol with other information, including a security name, in response to a customer request.

#### BRIEF DESCRIPTION OF THE DRAWINGS

In the drawings:

25 Figure 1A is a block diagram showing various access points for communicating with a front end processor.

Figure 1B is a block diagram showing elements of a customer activated terminal (CAT) which communicates with a front end system.

30 Figure 2 is a block diagram showing a top level view of a system according to the invention.

Figure 3 is a partial flow chart of a system according to a first embodiment of the invention.

35 Figure 4 is a continuation of the process illustrated in Figure 3.

Figure 5A to 5D are flow charts illustrating a process for purchasing stocks in accordance with a first embodiment of the invention.

5 Figures 6A to 6C are flow charts illustrating a process for selling stocks in accordance with a first embodiment of the invention.

Figure 7 is a flow chart showing a process for displaying portfolio information in accordance with a first embodiment of the invention.

10 Figure 8 is a flow chart illustrating a process for displaying stock quotations in accordance with a first embodiment of the present invention.

Figure 9 is a flow chart illustrating a process for obtaining securities symbols in accordance with a first embodiment of the present invention.

15 Figure 10 is a flow chart illustrating a process for obtaining activity in orders information in accordance with a first embodiment of the present invention.

20 Figure 11 is a flow chart illustrating a process for determining opening orders in accordance with a first embodiment of the present invention.

Figure 12 is a flow chart illustrating a process for displaying trades awaiting settlement in accordance with a first embodiment of the present invention.

Figure 13 is a flow chart illustrating a process for displaying recent activity in accordance with a first embodiment of the present invention.

30 Figure 14 is a more detailed view of a front end processor of a system according to an embodiment of the present invention.

Figure 15 is a block diagram illustrating brokerage system in communication with a front end processor system according to an embodiment of the present invention.

35

Figure 16 is a flowchart illustrating a second embodiment of the invention.

Figure 17 is a flowchart illustrating a "take action" process according to the second embodiment of the invention.

Figures 18A and 18B are flowcharts illustrating a process for selling mutual funds in accordance with a second embodiment of the invention.

Figures 19A to 19C are flowcharts illustrating a process for buying mutual funds in accordance with a second embodiment of the invention.

Figures 20A to 20C are flowcharts illustrating a process for exchanging mutual funds in accordance with a second embodiment of the present invention.

Figure 21 is a process for obtaining information, including mutual fund and stock quotations, in accordance with a second embodiment of the present invention.

## DESCRIPTION OF THE PREFERRED EMBODIMENTS OF THE INVENTION

### A. Definitions

Exemplary embodiments of the invention are set forth below with reference to the drawings. Merely to facilitate understanding of this description and not for purposes of limitation, the following definitions are provided:

**Background Message:** A message sent from the CAT to the host processor that does not require the CAT to wait for an immediate response. Several such messages are shown in the accompanying flow charts.

**ATM (automated teller machine):** A terminal used for banking transactions which includes a customer input device (usually a keypad), a card reader, and a cash dispensing apparatus. An example of a prior art ATM is described in U.S. Reissue Patent No. RE 30,773, the disclosure of which is incorporated by reference herein.

BATS (brokerage automated trading system): An automated system used to receive ordered transactions, to record and edit such orders, and to formulate and transmit order messages to a brokerage account manager.

5 BIN (Branch Identification Number): A number embossed and/or encoded on debit and credit cards indicating the institution which issued the card.

CAT (Customer Activated Terminal): A customer activated, touch screen terminal utilizing color  
10 graphics. This terminal receives input from a customer through a card reader, a depository slot, and touch areas of the touch screen display. It provides an interface to a front end or host computer.

CIN (customer identification number): An  
15 identification number assigned to a customer that is returned by the host system as part of an account profile message.

CPS (cross product services): A regional  
20 interface which provides multi-region access to various applications.

ESP (external service provider): A system, usually a FEP, which provides data to the CAT. Most messages usually consist of a request from the CAT and a response from the FEP.

25 FEP (front end processor): A system to which CATs are connected which provide service provider information and network control.

FIMP (financial institution marketing product  
30 code): A code returned by the host system as part of an account profiling message which represents the location where the customer's account is processed and serviced.

Integrator: A part of a software environment which handles details of message processing to the host or FEP, including initialization process, application  
35 requests, function retries, and ESP status.

PIN (personal identification number) or PIC (personal identification code): A number selected or provided to a customer which is required to access the system so as to provide system security.

5           TPS (transaction processing system): An on-line transaction processing system (front end processor) that supports both financial and non-financial transactions requested at various terminal interfaces, including CATs, in order to process and implement  
10 requested various transactions.

B. System Overview (Fig. 2)

Fig. 2 is a block representation of various individual systems and interfaces which together comprise  
15 an integrated banking and brokerage system 50 according to the invention. As shown, a plurality of customer activated terminals, represented collectively by a CAT (ATM) 52 exchanges data with a front end processor 54, referred to as a TPS. As explained in detail below, the  
20 TPS 54 accesses customer account information required to process a customer requested transaction by first referring to a cross reference file (not shown) containing data elements linking the customer's CIN, the BIN the FIMP and other information on the customer's  
25 card.

The TPS 54 communicates with a regional interface 56 (referred to as CPS) which provides access to various applications. In the example shown in Fig. 2, CAT orders are sent via the TPS 54 to the CPS 56 region.  
30 The CPS 56 provides a gateway to the brokerage system 58 consisting of two linked systems, a Tandem system 60 and a RS6000 system 62. The brokerage system 58 provides information, such as buy and sell orders, which are sent to appropriate persons at various securities exchanges  
35 68. The brokerage system 58 also obtains quotation and portfolio information which is then provided to the

customer through the TPS 54. Real time quotes are obtained through a quote server 64 which is connected to a track ticker 66.

As described in greater detail below, the CPS 56 creates and edits both order logs and transaction files based on request from the CAT 52. These order logs and transaction files are used by the brokerage system 58 to provide price quotations and to place buy and sell orders. The CPS 56 also provides a symbol directory (not shown) to interpret securities symbols utilized by the customer. As will be appreciated by those skilled in the art, the systems and interfaces shown in Fig. 2 include any range of suitable hardware, including processors and associated memory, to implement the methods described herein.

### C. Overview of System Operation

#### 1. First Embodiment (Figs. 3-13)

Within the framework of this system, it is possible for a customer to use a CAT network to perform various brokerage services, including the buying and selling of securities, the pricing of securities, and the computing of portfolio value. Figs. 3 to 13 are flow charts which illustrate a first method by which such services, and others, are made available to a customer through a CAT.

As shown in Fig. 3, a customer accesses a main menu displayed on the CAT in a manner known in the art by inserting a customer card and inputting a PIN. This information is providing to the front end. The front end consults stored information to verify the customer's account information in a manner known in the art.

In accordance with the invention, the customer is then presented with an option display including an option entitled "Securities", which permits the customer to access various brokerage services. In order to ensure



compliance with various regulatory requirements, this message preferably includes the disclaimer "not FDIC insured" and can be selected by touching a position of the CAT touch-screen where the message is displayed, thus  
5 reenforcing in the customer's mind that he or she is entering a new environment.

When the securities option is selected by the customer, it is determined whether it is the customer's first time accessing the securities environment in a  
10 particular session. This information is maintained by the system by updating a variable each time the securities environment is accessed. If it is the first time accessing the securities environment, an appropriate securities disclosure statement is displayed in  
15 conformance with various federal and state requirements. For example, the securities disclosure screen notifies the customer that securities are not FDIC insured. The screen also queries the customer whether the customer would like to continue after having viewed the disclosure  
20 screen. If not, the customer may return to a previous menu of services provided through the CAT by means of a prompt asking, "May I help you with something else" and a display of YES/NO/EXIT keys on the touch screen. If securities options are desired by the customer, the CAT  
25 provides a securities menu.

The securities menu offers the following options: "get information", "buy stocks", or "sell stocks". The "get information" option is explained in greater detail below with reference to Fig. 4. If either  
30 the "buy stocks" or "sell stocks" options are selected, the system determines whether the customer has previously opened a brokerage account permitting brokerage activity by consulting a stored record of the customer account information. If the customer has no brokerage account,  
35 an appropriate message, such as "product not available" is displayed, and the customer is returned to other

options available through the system. If it is determined that a brokerage account is available, the customer's account information is reviewed to determine whether the customer has multiple brokerage accounts. If  
5 so, the system determines which account the customer desires to access by displaying all accounts and prompting the customer to select an appropriate account for which a transaction is to be requested. A portfolio profile message is displayed to the customer indicating  
10 the assets included in the selected account. This is accomplished by the system consulting a file containing information regarding the customer's brokerage account. The front end system then determines whether the brokerage system is available. If not, a message  
15 indicating that trading is not presently available 24 hours a day, seven days a week is displayed. For example, the system displays a message such as, "I'm sorry, I can't place trades for you from TIME A to TIME B business days and TIME C Sunday to TIME D Monday", where  
20 A to D are system variables representing times of the day. The customer is then returned to a previous option menu.

On the other hand, if it is determined that the brokerage system is available, the front end system  
25 queries the brokerage system to determine if trading is currently restricted in any respect. For example, the front end system determines whether there are no restrictions on trading, whether only selling is available, or whether no trading whatsoever is permitted  
30 based on a data element from the brokerage system. In the latter case, an appropriate message such as "no trades are now allowed" is displayed and the customer is returned to a previous options menu. On the other hand, if buying and/or selling is permitted, either the buying  
35 stocks process shown at Figs. 5A to 5D, or the selling stocks option shown at Figs. 6A to 6C are implemented.

If the customer wishes to obtain information by selecting a "get information" option from the securities menu, the customer is provided with options illustrated in Fig. 4. These options include a "holdings" option, a  
5 "stock quotes" option, and a "symbol directory" option, and an "activity and orders" option. In the event that the "activity and orders" option is selected, the process continues as shown in Fig. 10, described below.

If any of the first three options are selected,  
10 the system determines whether the customer has a brokerage account, as described above. If not, the "product not available" screen is displayed and the customer is returned to a previous options menu. If the customer has at least one brokerage account, it is then  
15 determined how many different accounts are available. If more than one is available, the system prompts the customer to select the account for which information is being requested in the manner described above. Once an account is selected in this manner, account profile  
20 information is displayed to the customer as described above in Fig. 3.

The front end system then determines whether the brokerage system is available for providing the requested information. If not, an appropriate message is  
25 displayed as described above and the customer is returned to a previous options menu. If the brokerage system is available, the process continues as shown in Fig. 7, Fig. 8 or Fig. 9, depending on which respective option, "holdings", "stock quotes", or "symbol directory", had  
30 been selected by the customer.

As shown in Fig. 7, if the "holdings" options had been selected, a portfolio inquiry is made by the system and an response showing each holding and total asset value is displayed based on data segments provided  
35 to the CAT. This is accomplished by first determining whether the customer has any holdings in his or her

brokerage account. If not, the system displays an appropriate message indicating that no holdings are present, and the customer is returned to an earlier screen. If holdings are present, holdings are displayed in the following manner, where the first column shows the line number of text on the screen, the second column is the text and/or variable displayed, and the third column provides comments corresponding to each line of text.

<u>Line</u>	<u>Text or Variables</u>	<u>Comments</u>
1	"Here are your holdings"	
N (max through N+3)	{Security Name} xxxxxxx "as of MMM DD":	1st variable, as transmitted: for most securities, X(30); for pref stock, 2oX(30); for mutual funds, 2oX(30); for muni bonds, 4oX(30); for T Notes/T Bonds, X(30)+ z9.999% Due MM/DD/YY; for T Bills, X(30+ Dated MM/DD/YY Due MM/DD/YY  2nd variable: "shares" if stock or mutual fund; otherwise suppressed  3rd variable, as of date (if price date different from last business date; otherwise blank)
Next line (max to N+4)	{account}	"short", "margin", "pledged" (displayed only if appropriate);
Next line (max to N+5)	zz,zzz,zz9.zzz at zzzz9.zzz	1st variable, number of shares;  2nd variable, share price (if security

		unpriced, display "Unpriced" instead of "at z.zz9.zzz);  3rd variable, NAV (displayed for Mutual Funds only)
Next line (max to N+6)	"Value:" \$zzz,zzz,zz9.99	variable, security value (if security unpriced, display "Unpriced" instead of "Value:" zzz,zzz,zz9.99);
Next line (max to N+7)	{Annuities Disclosure}	If a fixed annuity <u>only</u> , display "Your fixed annuities are reported here with your other non-FDIC insured investments for your convenience, even though they are not securities"

After all securities have been displayed, totals are provided, in the following order:

- 1) If customer has at least one fully owned/cash account security, "Market value of Securities, \$zzz,zzz,zz9.99" is displayed. If at least one security is unpriced, a disclaimer, "Not including unpriced securities", is also displayed;
- 2) If the customer has a cash balance, "Cash balance \$zzz,zzz,zz9.99" is displayed;
- 3) If the customer has a credit interest balance, "Credit interest balance \$zzz,zzz,zz9.99" is displayed;
- 4) If customer has at least one margined security, "Margin account balance, \$zzz,zzz,zz9.99" is displayed.
- 5) If customer has at least one shorted security, "Short account balance, \$zzz,zzz,zz9.99" is displayed.

6) If customer has at least one security pledged to a secured non-purpose loan, "Pledged balance, \$zzz,zzz,zz9.99" is displayed.

After all securities have been displayed,  
5 "Total portfolio value, \$zzz,zzz,zz9.99" is displayed.

If at least one security is unpriced, a disclaimer, such as "Not including unpriced securities", is also displayed. The holdings screen also indicates that this action has been completed and prompts the user  
10 to indicate whether further actions are desired.

If the "quotes" option was selected from the "get information" menu, the process continues as shown in Fig. 8. First, it is determined whether trading is available as described above in Fig. 3. If not, the user  
15 may return to a previous options menu. If trading is available, it is determined whether the customer has reached a predetermined daily maximum number of quotes. For example, the system keeps track of the number of quotes obtained by the customer by updating an  
20 appropriate variable each time that quotation information is conveyed to the customer. If the maximum number of quotations has been reached, a message is displayed informing the customer of the maximum amount permitted and the customer is returned to an earlier menu.  
25 Otherwise, the system continues as shown in Fig. 8. This prevents a customer from tying up the CAT terminal.

If securities are available for sale, a "tell stocks symbol" screen is displayed. This screen prompts entry of up to five stock symbols, by displaying the  
30 header "please tell me the stock symbols." Each symbol correspondence to a particular security. As an added feature, the system also informs the customer that up to five quotes can be requested at a time. If the customer has fewer than five quotes (one to four) remaining, the  
35 header indicates "I can give you N more today" where N is the appropriate number of quotes remaining in the

customer's allowance from 1 to 4. In this way, the customer is informed how many additional quotes are available.

The customer then enters the stock symbol of each security for which the customer desires to obtain a quotation. Preferably, this entry is input through a "keyboard" displayed on the touch screen input of the CAT. As shown in Fig. 8, the customer is also provided with the options of using the symbol directory to look up the appropriate symbol for a given security or of returning to our earlier options menu. If the customer wishes to consult the symbols directory, the process continues as shown in Fig. 9. Once the appropriate symbol for each security has been entered, the information corresponding to the selected securities are sent to the brokerage system, and price quotations are obtained. In obtaining quotations, the system determines whether a connection to the quotation service is currently available. If not, the system indicates to the customer that the service is unavailable, and the customer is returned to an earlier screen. If the service is available, a price quotation is provided to the customer. For example, information such as the daily high, the daily low, the last available price, the change from the previous day and the total volume of trading for each security may be provided. An example of the "here are quotes" screen referred to in Fig. 8 follows:

<u>Line</u>	<u>Text</u>	<u>Comments</u>
2	"Okay. There are your quotes"	
4	{Categories}	Symbol, plus, generally, "Day High; Day Low; Last; Change; and Volume (100s)";
6-7 (and following, if	1st line	Stock Quote data, if available;

additional stocks)	2nd line	If no data for a symbol, "I'm sorry. I can't find a quote for this symbol"
-----------------------	----------	---

As mentioned above, the customer is given the option of looking up a symbol for a particular security. For example, a "want symbol look-up" screen is displayed if the customer presses "ENTER" without having entered  
5 any stock symbols on the sell stock symbol screen. At this point, the system prompts "would you like to see the stock symbol directory." Selection of "yes" displays the symbol "look-up arguments" screen as shown in Fig. 9.

As illustrated in Fig. 9, the symbol look-up  
10 screen is displayed after: (1) selection of symbol directory from the "get securities information" screen; (2) selection of "let's start at another letter" from the symbol look-up list screen; or (3) selection of "YES"  
15 from the "want symbol look-up" screen in Fig. 8. The "symbol look-up argument" screen prompts entry of at least one, and at most 28 letters of a security's name using an alpha-numeric keyboard displayed on the touch screen of a CAT. Preferably, the ATM machine is  
20 programmed so that if a non-alphabetical character key is depressed, an error indication is provided, such as an audible tone. Once at least one letter has been pressed and an "ENTER" function key is pressed, a query is sent to the front end to look up a stored list of security  
25 names beginning with the entered letter(s). The system provides a symbol look-up list screen. If at least one exact match exists with the name entered, the first match is displayed followed by the next three listings. If no exact matches exist, the next closest name is displayed,  
30 followed by the next three listings.

The "symbol look-up list" screen displays up to four stocks (common and preferred) per screen, and includes full backward and forward scrolling capability



for all stocks beginning with the name or name fragment entered by the customer. The display is in alphabetical order by security name, not by symbol. Once the symbol list has been displayed, the customer is given the option  
5 of inputting another request.

If another request is desired, the "symbol look-up arguments" screen is again displayed. On the other hand, if no additional request is required, the system determines the point from which the symbol look-up  
10 process was accessed. If accessed from the quotes menu, the process returns to the "tell stock symbols" menu shown in Fig. 8. If the system entered the symbol look-up menu from the stocks menu, the system returns to Fig. 5A. If the system entered the symbol look-up menu from  
15 Fig. 4, it is presumed that the customer has obtained the information requested and the process resumes at an appropriate conventional options menu.

Accordingly, Figs. 4, 7, 8, and 9 demonstrate how holdings, quotes, and symbol look-up functions are  
20 available through the system. Fig. 10 (carried over from the activity in orders menu shown in Fig. 4), illustrates how activity in orders information can be displayed to the customer. This menu provides the customer with the option of determining any open orders, any trades  
25 awaiting settlement, or any recent activity. As shown in Fig. 10, the selection of one of these three options prompts the system to determine whether the customer has a brokerage account or multiple brokerage accounts as explained above in reference to Fig. 3. It also  
30 determines whether the brokerage provider is available as explained above. Once this information has been verified, the system proceeds with the open orders menu described in Fig. 11, the trades awaiting settlement menu described in Fig. 12, or the recent activity menu  
35 described in Fig. 13.

The "open orders" menu shown in Fig. 11 is displayed following selection of "open orders" from the orders and activity screen when at least one open order exists, including those initiated by other customer interface terminals apart from the ATM.

This menu permits the customer to receive information stored in a file maintained by CPS. This information keeps track of all orders placed and their status.

As shown, the open orders request is sent to the system which determines whether any open orders exist. If none exist, then the system returns to an earlier options menu. If open orders do exist, information relating to the orders is provided. For example, the system displays the type of order (buy, sell, buy to open, buy to close, sell to open, sell to close, margin buy, and margin sell), the size of the order, the name of the security, the type of security (for example, mutual fund or stock) whether the price of the security is at a predetermined limit, the duration of the order, the date the order was placed, whether the order has been partially executed, and any other qualifying information which may be appropriate. More particularly, as few as one open order and up to two orders may be displayed per screen. Expired, cancelled or killed orders may also be displayed. An exemplary screen indicating the open orders display follows:

<u>Line</u>	<u>Text or {SDE}</u>	<u>Comments</u>
1-2	"Here are your Open Orders (any order may have been executed) "	
N	{type of order} {size of order}	1st variable, "buy", "sell", "buy to open", "buy to close", "sell to open", "sell to close", "short",

		<p>"exchange", "margin buy", "margin sell";</p> <p>2nd variable, "Qty: zz,zzz,zz9.zzz" (if not \$ trans) or \$zzz,zzz,zz9.99 (if \$ trans)</p>
N+1 (max through N+4)	{Security Name} XXXXXX	<p>1st variable, as transmitted: for most securities, X(30); for pref stock, 2oX(30); for mutual funds, 2oX(30; - for an exchange of mutual funds, each fund name displayed 2oX(30), along with: "From: [fund name]" and "To: [fund name]"; for muni bonds, 4oX(30); for T Notes/T Bonds, X(30)+z9.999% Due MM/DD/YY; for T Bills, X(30)+Dated MM/DD/YY Due MM/DD/YY</p> <p>2nd variable: "shares" if stock or mutual fund; otherwise suppressed</p>
next line (max to N+5)	{limit/stop info} {order duration}	<p>1st variable, "at" + limit price and/or stop price (for stop-limits, both limit and stop price are displayed: "at zz9.zzz stop zz9.zzz")</p> <p>2nd variable, "Day order" or "Good 'Till Cancelled"</p> <p>(both variables/entire line suppressed unless limit, stop of stop-limit);</p>
next line (max	Order placed xxx z9"	1st variable, date

to N+6)	{partial}	placed  2nd variable, "Order partially executed" (2nd variable suppressed unless partial)  (both variables/entire line suppressed for mutual funds)
next line (max to N+9)	{Qualifier(s)}	As transmitted (if any; maximum of 3); -Do not Reduce; -All or None; -Fill or Kill; -Immediate or Cancel; -With or Without; -Or Better; -Extended Session; - Not Held
next line (max to N+10)	{Status}	As transmitted (if any): -Pending -order sent to the exchange -Cancellation request sent to the exchange -Cancelled -Cancelled by exchange or clearing broker -There's a problem. Please contact xxxxxx [SDE, consult] -Option expired -Order expired unfilled -Order will be placed when the market opens -Order partially executed

Once the open order screen has been displayed, the customer can opt to return to an appropriate options menu.

Fig. 12 describes a trades awaiting settlement display process. This process permit the user to receive information stored by the system to keep track of trades that have not yet been undergone settlement. As shown, a "here are trades awaiting settlement" screen is displayed following selection of "trades awaiting settlement" from the "orders and activity" screen when at least one executed order awaits settlement. This screen displays all trades awaiting settlement, including those initiated by means other than an ATM. As shown in Fig. 12, if no orders or activity exists, the customer is returned to an earlier menu. If trades awaiting settlement are available, the following information is displayed:

<u>Line</u>	<u>Text or {SDE}</u>	<u>Comments</u>
1	"Here are your Trades Awaiting Settlement:"	
N	xxx z9  {type of order}	1st variable, trade date;  2nd variable, "Bought", "Sold", "Bought to Open", "Bought to Close", "Sold to Open", "Sold to Close", "Shorted", "Exchanged", "Bought on margin", "Sold on margin"; + (if partial only), "Partial"
N+1 (Max through N+4)	xxx z9;  {Security Name} xxxxxxx	1st variable, trade date;  2nd variable, as transmitted: for most securities, X(30); for preferred stock, 2oX(30); for mutual funds, 2oX(30); -for an exchange of mutual funds, each fund

		name displayed 2oX(30), along with: "From: [fund name]" and "To:[fund name]"; for muni bonds, 4oX(30); for T Notes/T Bonds, X(30)+z9.999% Due MM/DD/YY; for T Bills, X(30)+Dated MM/DD/YY Due MM/DD/YY  3rd variable: "shares" if stock or mutual fund; otherwise suppressed
next line (max through N=5)	"zz,zzz,zz9.zzz" "at z,zz9,zzz" \$zz,zzz,zz9.99	1st variable, quantity; 2nd variable, unit price (if security unpriced, display "Unpriced" instead of "at z,zz9.zzz"); 3rd variable, security unpriced, display "Unpriced" instead of "Value:" zz,zzz,zz9.99).
next line (max through N+7)	Commission: \$zzz9.99	Commissions (line suppressed if zero)  Note: SEC fees are not displayed
next line (max through N+8)		For Bond purchase or sale only, "Accrued interest may have been xxxxxxxx" (charged; received)  -otherwise, suppressed

5 Fig. 13 shows the recent activity menu which is available following selection of "recent activity" from the orders and activities menu in Fig. 10. As shown, a recent activity message is sent to the front end system which determines whether any recent activity exists over a predetermined period. If not, an appropriate message

is displayed to the customer, and the customer has the option of returning an earlier menu. If recent activity does exist, the recent brokerage activity is displayed to the customer, for example, as follows:

5

<u>Line</u>	<u>Text or {SDE}</u>	<u>Comments</u>
1	"Here is your recent Brokerage activity:"	
N	{date MMM DD}  xxxxxxxxxxxxxxxxxxxx	1st variable, Settlement date, if a trade; otherwise, Posting Date  2nd variable, "Bought", "Sold", "Exchanged", "Bought on margin", "Sold on margin", "Interest", "Dividends", "Delivered", "Received", "Dividend Reinvested", "Journal Item"  (Additional items may be transmitted to CAT and interpreted for display)
N+1 (max through N+4)	xxxxxxxxxxxxx MMM DD {Security Name}  xxxxxxx	1st variable, "Trade date" MMM DD", displayed only if a trade;  2nd variable, as transmitted: for most securities, X(30); for preferred stock, 2oX(30); for mutual funds, 2oX(30); -for an exchange of mutual funds, each fund name displayed 2oX(30), along with: "From: [fund name]" and "To: [fund name]"; for muni bonds, 4oX(30); for

		<p>T Notes/T Bonds, X(30)+z9.999% Due MM/DD/YY; for T Bills, X(30)+Dated NN/DD/YY Due MM/DD/YY</p> <p>3rd variable: "shares" if stock or mutual fund; otherwise suppressed</p>
Next two lines (max to N+6)	<p>zz,zzz,zz9.zzz xxxxxx</p> <p>at: \$z,zz9.zzz xxx xxxxx</p>	<p>1st variable, quantity; 2nd variable, "shares" (suppressed unless interest or dividend); 3rd variable, unit price (if security unpriced, display "Unpriced" instead of "at z,zz9.zzz"; suppress if delivered/received transaction); 4th variable, "per share" (suppressed unless interest or dividend).</p>
Next line (max to N+7)	<p>Total: \$zz,zzz,zz9.99 -or- {Accrued Interest}</p>	<p>Total transaction price (price x qty, plus or minus commission, as applicable) suppressed for Bond Trade</p> <p>For Bond purchase or sale only, "Accrued interest may have been xxxxxxxx" (charged; received)</p>
Next line (max to N+8)	{Partial}	"Order Partially Executed" (display only if partial order)
Next line (max to N+9)	<p>Commission: \$zz,zz9.99</p>	<p>Commission</p> <p>Entire line suppressed if zero and for interest and dividends, for</p>



		<div data-bbox="1006 247 1365 403" data-label="Text"> <p>dividends reinvested, for delivered/received transactions, and for journal items</p> </div> <div data-bbox="1006 430 1361 491" data-label="Text"> <p>Note: SEC fees are not displayed</p> </div>
--	--	---

In this manner, the customer is given the option of obtaining various information pertaining to various securities transactions and/or securities prices, such as sales dates, amounts, and commissions.

As mentioned above in reference to Fig. 3, the customer may have requested to buy or sell stocks instead of requesting information. These processes are described respectively in reference to Figs. 5A through 5D and 6A through 6C.

As shown in Fig. 5A, the selection of "buy stocks" from the securities menu of Fig. 3 displays a "which symbol to buy" screen. This screen prompts entry of a stock symbol of one to seven characters using a "keyboard" displayed on the CAT's touch screen. If no symbols are entered, the customer is given the option of selecting a symbol from the directory.

If the "select symbol" option is selected, the system implements the process described above in reference to Fig. 9. On the other hand, if a symbol is entered, the system looks up the symbol entered to determine which security is being requested for purchase, and then sends a request for current price quotation for that security. In doing so, the system first determines whether the quotation system is on-line. If not, a suitable message is displayed to the customer and the customer is returned to an earlier options menu. If the quotation system is operational, it is determined whether the symbol entered by the customer is recognized by the system. If not, the customer is given the option of using the symbol directory in accordance with the process

described in Fig. 9. Once the appropriate symbol has been entered and the real-time quotation system is operational, a real-time quote is provided from the quotation system.

5           If the symbol entered by the customer corresponds to a stock whose latest available price is less than a predetermined amount, such as \$1.00, the system displays a screen stating "I'm sorry...I can't accept trades of stocks priced under \$1.00 per share  
10 here." The system preferably then displays a referral to a customer service representative for further assistance to the customer and returns the customer to an earlier option menu.

          It is then determined whether the symbol  
15 entered by the customer corresponds to a stock or other type of security that cannot be traded with the system. If so, the system displays a message such as "I'm sorry...I can't handle purchases or sales of this class of stock here." Again, the system preferably displays an  
20 appropriate referral for the customer further assistance.

          The system further determines whether trading has been suspended of the appropriate exchange. If trading has been suspended or if it has been restricted to certain activities, an appropriate message is  
25 displayed and the customer is returned to an earlier options menu. Similarly, the system determines if the requested security can be traded with the CAT.

          If the price is over the predetermined limit, trading is not suspended, and the requested security is  
30 available for trading with the system, an appropriate message is sent to the customer. The system requests how many shares the customer wishes to buy as shown Fig. 5B. At this point, the system checks to see if an entered number of shares to be bought is above a predetermined  
35 maximum shares. If so, the system displays the maximum number of shares permitted for trading and returns the

customer to an earlier options menu to further proceed. If the entered number is less than the predetermined maximum number permitted by the system, a "market/limit" screen is displayed which states "how do you want to buy the shares" and displays one of two options -- market or limit. The selection of a limit button displayed on the touch screen results in a "limit price screen" described below. Selection of a displayed market button initiates various checks for order acceptability based on the following: total price (based on latest available price) in comparison with a predetermined amount; and (2) a check against the customer's brokerage account in order to determine whether the customer has funds available to satisfy the purchase. Alternatively, the system may determine whether the available funds within a predetermined range of the current price check is not applicable to the customer. If the order passes these checks, the system proceeds as shown in Fig. 5C

The limit price screen of Fig. 5B is displayed following either selection of "limit" on the market/limits screen or selection "yes" on the too little for limit screen described below. The limit price screen displays numeric keypad which includes numeric keys and buttons corresponding to fractional share amounts, such as  $1/8$ ,  $1/4$ ,  $3/8$ ,  $1/2$ , etc. The customer is prompted to state a limit price. Once this limit price is input by the customer, the system determines whether the requested limit price is over a predetermined minimum amount, such as \$1.00. The system then determines whether the limit amount is within an amount based upon a percentage difference from the current price. For example, it is determined whether the requested limit is within 20% of the current price. If not, the system displays an appropriate message stating that the limit is too low, and asks the customer if he or she wishes to try again later. If so, the customer is returned to the limit

price menu. If not, the customer is returned to an earlier options screen.

If the limit amount is determined to be within the established parameters, the system checks whether the customer's account and the request meet the criteria described above with regard to a selection of the market key. Specifically, the system determines whether the customer's account contains funds sufficient to cover, for example, at least 10% of the requested purchase, and also determines whether both the number of shares and the total dollar amount of the purchase are above a predetermined maximum limit. If so, an appropriate message is provided to the customer and the customer is returned to an earlier options menu. Otherwise, the system continues as shown in Fig. 5C

As shown in Fig. 5C, if a limit option was selected by the customer, a "today or GTC" screen is displayed. This screen queries the customer as to the length of time the customer desires the order to be in effect. The customer is given the options of "today only" or "good 'til order cancelled" (GTC). The latter option permits the customer to specify a future date at which the order will be cancelled if it has not previously been performed. Upon selection of either option, or if the customer has previously selected the "market" option, the system preferably determines whether the customer is provided discount service or full service. If the customer has a full service account, the system asks the customer whether an investment consultant recommended the purchase. The customer's answer is logged for internal use and a "stock recap" screen is displayed.

The stock recap screen is displayed after selection of either the "limit" or "market" options. This screen displays the following text:

<u>Line</u>	<u>Text or {SDE}</u>	<u>Comments</u>
1	"Okay, here's the order I have for you"	
4	xxxx: zz,zzz,zz9 shares	variables, "Buy" or "Sell", and the number of shares
5	"of:" 2oX(30)	variable, the stock name
7	"Symbol:" xxxxxxx	variable, the symbol symbol
8	"As follows:" xxxxxxxxxx	variables, "At Market" or "Limit" and limit price if "Limit"
next line	xxxxxxxxxxxxxxxxxxxx	variable, "Day Order" or "Good till cancelled" (suppressed unless Limit Order)
next line (max 10)	{Solicited}	If Full Service customer and solicited = "yes", display "I.C. Recommended"; otherwise, suppress

Once the screen is displayed, the system asks the customer whether to go ahead and place the order. Selection of "no" in response to this message displays a  
5 change or cancelled screen.

The change of cancelled screen is displayed after selection of "no" on the stock recap screen. It provides the customer the option of either changing the order or cancelling the order. Changing the order  
10 discards all order information except for the security name and returns the customer to the "how many shares" screen. Selection of a "cancel order" option discards the order and causes the display of a "won't place the order" message. The customer is then returned to an  
15 earlier option menu. If the customer indicates that the

customer wishes to place the order, the system sends the order out for final edit checking. If the order passes various host error checks described below and the information is successfully returned to the ATM, the  
5 "have your order" screen is displayed as described below. This screen notifies the customer that the order has been transmitted for placement by the brokerage service provider. If the order fails any error checks or fails to transmit, an "exception to screen" is displayed.

10           The first error check implemented by the host system determines whether the customer's order is a possible duplicate. To perform this operation, the system checks the open orders and trades awaiting settlement information as described above. The possible  
15 duplicate screen recaps the previous open orders/trade and displays all information provided on either the "here are open orders" or "here are trades awaiting settlement" screens described above. If more than one possible duplicate order exists, the possible duplicate screen  
20 gives the customer the option of continuing through each duplicate which has been found. Once all possible duplicate orders have been reviewed by the customer, the system asks whether it should go ahead with the new order. If the customer responds affirmatively, the  
25 process continues. If the customer selects "no" the system displays the "won't place" order screen and returns the customer to an earlier options menu.

          The next error check performed by the system verifies the customer's personal identification code  
30 (PIC). Specifically, the customer is prompted to re-enter his or her PIC in order to proceed with the transaction. The system consults which cross references the customer's PIC with the information previously  
provided b the customer to ensure that this information  
35 matches. Once a valid PIC has been accurately entered, the system continues as shown in Fig. 5D

As shown in Fig. 5D, a "send trade" message is sent once the aforementioned error checks have been performed by the system. This prompts the system to determine whether the customer has first selected a security which has previously been deemed to be restrictive. If so, the trade is rejected and the customer is returned to an earlier options menu. If not, the system determines whether the host brokerage system is available. If it is unavailable, an appropriate message is displayed and the customer is returned to an earlier options menu. If the system is available, the process continues by determining whether there is any uncertainty as to the probability that the order will successfully go through. If so the customer is provided with an appropriate message and then returned to an earlier option menu. If no uncertainty is determined at this step, the order is placed and a confirmation is provided to the customer. The customer then may return to an earlier options menu.

In this manner, the customer may conveniently place purchase orders for immediate purchase or at a predetermined price. These options are conveniently provided to the customer through an existing platform in conjunction with several safeguards designed to ensure both that the trade will go through as requested and that the customer has sufficient funds to cover the transaction.

The "sell stocks" option is described in Figs. 6A to 6C. As shown, the selection of a "sell stocks" option from the securities menu screen displays a "which stock to sell" screen once the system has determined which currently tradeable stocks are held in the customer's brokerage account. Specifically, the system sends the information corresponding to the customer's saleable portfolio and the system determines whether it is saleable over the ATM network. If not, a "no saleable

stock found" message is provided to the customer and the customer is returned to an earlier options menu.

If the customer does have a saleable stock, the "which stock to sell" menu prompts the customer to select  
5 one of the saleable stocks. The system also displays the most recent price of the stocks which are saleable. Specifically, the system sends a request for a real time quote and determines whether the quotation service is available. If not, a message is displayed indicating  
10 that the system cannot perform a "sell" transaction and the customer is returned to an earlier options menu. The system performs various error checks such as those described above in reference to the "buy stock" option. Specifically, the system sends a possible duplicate  
15 summary and then displays a "how many shares" menu.

As shown in Fig. 6B, the process continues by determining whether the price of the stock which the customer wishes to sell is less than a predetermined amount, such as \$1.00. If so, the system displays a  
20 "can't trade under \$1.00" message and returns the customer to an earlier options menu. The system further determines whether the number of shares entered is greater than a predetermined maximum number of shares. If so, a maximum share number is displayed to the  
25 customer and the customer is returned to an earlier options menu. If the requested amount is below the maximum limit, it is determined whether the number of shares that the customer wishes to sell is above a minimum number. If an insufficient number is requested,  
30 the customer is returned to an earlier options menu. If the number of shares is above the minimum and meets the previously described criteria, the system displays a "market limit" screen. This screen asks the customer "how do you want to sell the shares" and prompts the  
35 customer to select either a "market" button or a "limit" button. Selection of the "limit" button results in



display of the limit price screen. Selection of the "market" button initiates edit checks for order acceptability based on criteria described below.

The limit price screen provides the customer  
5 with the option of inputting a desired price at which the customer wishes to sell the selected security. Specifically, the CAT displays a numeric keypad which includes fractional dollar amounts such as 1/8, 1/4, 3/8, 1/2 and so forth. The system prompts the customer to  
10 enter a limit price using this display. Once the customer has entered a limit price the system determines whether the price is within a predetermined fraction of the current security value. For example, if the limit is 20% greater than the current price the system displays a  
15 "too much for a limit" screen. This notifies the customer that the limit price for purchase can be no more than 20% above the latest available price. It indicates the latest available price to the customer as well as the maximum amount for the limit value. The customer is then  
20 given the option of trying again or returning to an earlier menu.

Once the 20% fluctuation limit has been met, a "today or GTC" screen is displayed. This screen asks the  
25 customer how long he or she desires to keep the order in effect. For example, the customer is given the option of indicating "today only" or "good until cancelled".

If a limit option had been selected and a limit price has been entered which meets the above-described criteria, or if a market option has been selected, the  
30 system determines whether the requested amount is too high. If the dollar value of the sale is above a predetermined limit then an appropriate display is provided to the customer informing the customer that the requested amount exceeds the limit. For example, the  
35 screen might read, "I'm sorry. I can't do that. The maximum daily sale of the single stock for the system is

\$50,000 up to 5,000 shares." Preferably, a referral to a customer service agent is then provided to the customer, and the customer is returned to an earlier options menu.

5 If the amount requested is determined to be within established parameters, the system determines whether the customer has a full service or discount account. If the customer has a full service account, the customer is asked whether the transaction was requested as a result of a consultant's advice. This information  
10 is recorded for internal auditing purposes. If the customer has a discounted account or the customer has responded to the "solicited/unsolicited" menu, the stock recap screen is displayed. An example of this screen is described above in reference to Figs. 5A through 5B.  
15 Once the stock recap screen has been displayed, the process continues as shown in Fig. 6C.

As shown in Fig. 6C, once the stock recap has been displayed the customer is asked whether or not to place the order. If the customer indicates not to place  
20 the order, the customer is asked whether to change or cancel the order. If the order is cancelled, this request is confirmed and the customer is returned to an earlier options menu. If the customer wishes to change the order the system returns to the "how many shares  
25 menu. If the customer confirms that it is desired to place the order then the system checks for possible duplicates in a manner similar to that described above in reference to the "buy shares" option.

For example, the system checks if there are any  
30 possible duplicates based on the duplicate summary provided by the system as shown in Fig. 6A. If any possible duplicates are shown, they are displayed to the customer with the ATM screen. The system determines whether the requested order and the previously requested  
35 orders which have not gone through together are greater than the number of shares held by the customer. If so a

"possible duplicate makes non-sufficient shares" screen is displayed. This screen reads, for example, "I am sorry...I can't accept this order. You have other orders outstanding for some or all of these shares." The  
5 customer is then returned to an earlier options menu.

If the customer has sufficient shares to cover the newly-requested transactions, a "possible duplicates" screen is displayed. This screen recaps previous "open  
10 order/trade awaiting settlement" request, displaying all information provided on the "here are open orders" screen or "here are the trades awaiting settlement" screen which are displayed in response to the "get information" option.

Once this information has been relayed to the  
15 customer, the customer is asked whether to go ahead and place a new order. If the customer indicates not to place a new order, a confirmation message is sent to the customer, and the customer is returned to an earlier options menu. If the customer confirms that a new order  
20 is desired, the customer is asked to re-enter his or her PIC. Once the customer's PIC is correctly re-entered, a "send trade" message is sent to the brokerage system.

At this point the system determines whether the security which the customer has requested to be sold is  
25 restricted, whether the host system is available, and whether any uncertainty exists as to the likelihood that the transaction will proceed. For example, as shown, if the stock is determined to be restricted a "trade rejected due to encumbrance" message is displayed. If  
30 the host system is unavailable, a "trading system unavailable" message is displayed. If any uncertainty exists, a "may be a problem" is displayed. If any of these errors occur, the customer is returned to an earlier options menu.

If no problems occur, the customer's "sell" order is confirmed. The customer is then returned to an earlier options menu for further actions.

In accordance with this method, a customer may  
5 obtain current securities price information and current  
portfolio value, buy securities and/or sell securities  
without directly contacting a broker. The customer may  
further obtain standard banking functions such as balance  
inquiries, transfers, deposits and withdrawals, all at  
10 the same location. The system according to the invention  
thus provides most standard brokerage functions within an  
environment already familiar to the customer.

## 2. Second Embodiment (Figs. 16-21)

15 A second embodiment of the invention is now  
described with reference to Figs. 16 to 21. As set forth  
in more detail below, this system permits a customer not  
only to trade stocks and bonds through an ATM network,  
but also to perform functions relating to mutual funds.  
20 More specifically, the system keeps track of the  
following information: the status of a particular fund,  
for example, whether it is open to all purchasers or only  
to current holders; the availability of more than one  
fund in a fund family; the existence of any exchangeable  
25 sub-group of funds in a fund family; any breakpoint of a  
fund and the amount; any minimum amount for first time  
purchases, IRA purchases, or any higher minimum amount  
set by the broker system; load information, such whether  
any front end or back end loads exist; any maximum  
30 transaction fees for purchase, redemption or exchange of  
no load funds; any redemption fees for front end load  
funds; any redemption restrictions; any promotions  
available on purchases and, if applicable, the promotion  
start and end dates; the availability of any hourly  
35 trading; any per day fund purchase maximum, and if  
applicable, the amount; and the minimum amount of in a

customer's account in order to make a purchase. This information is maintained in records stored in a front end system and/or a brokerage system. Data elements representing this information is transmitted between  
5 these systems and to a customer using a CAT. These features and others are made apparent from the following description.

Fig. 16 is a top-level flowchart for accessing a "securities" option in accordance with the second  
10 embodiment of the invention. As shown, the system determines whether it is the customer's first time accessing the securities option in a particular session. If so, a securities disclosure screen is provided to the customer in a manner similar to that described with  
15 regard to Fig. 3. The customer then is provided a securities menu, which instructs the customer to either "get information" or to "take action". The "get information" process is described below with reference to Fig. 21. The "take action" process continues as shown in  
20 Fig. 17.

As shown in Fig. 17, the user is given the option of selecting one of three options: a "buy" option, a "sell" option, and an "exchange" option. The exchange process continues as described below in  
25 reference to Fig. 20A. If either the "buy" or "sell" options are selected, the system determines which type of security the customer wishes to buy or sell. Specifically, the customer is given the option to buy or sell stocks, mutual funds, or funds offered through a  
30 company affiliated with the bank (that is, a family of funds from an affiliated company). The latter option involves a process similar to the one referred to in the background of the invention. Selection of the first option, that is, the selection of trading stocks, results  
35 in a process similar to that described in reference to Figs. 5A-5D and 6A-6C of the first embodiment of the

invention. The process for selling mutual funds is described in reference to Figs. 18A and 18B, and the process for buying mutual funds is described in reference to Figs. 19A and 19B.

5           As shown in Fig. 18A, the process for selling mutual funds according to this example first involves determining whether the customer has any mutual funds in his or her brokerage account. If not, a "no stocks or funds found" screen is displayed to the customer and the  
10 customer is given the option to return to an earlier options menu. If the customer does have at least one saleable fund, the system displays all saleable funds that are available and prompts the user to select which fund to sell.

15           Based on this selection, the system determines whether the NAV of the fund is greater than zero. If the NAV is not greater than zero, the customer is informed that the transaction cannot proceed and is prompted to call an investment consultant. If the NAV is greater  
20 than zero, the system determines whether the fund has an open order to liquidate. If so, the customer is informed of the other outstanding orders and then is given the option of returning to a previous options menu.

          In this example, the system then determines  
25 whether the selected fund is hourly priced and whether the fund has a back-end load associated with it. The system then displays the price to sell the fund as of the last market close, and informs the customer that the actual sale price may fluctuate. If there is a back-end  
30 load associated with the fund, the system displays the minimum amount necessary to cover the charge up sale of the selected fund. Once provided with this information, the system prompts the customer whether or not to continue with a sales transaction. If not, the customer  
35 may return to an earlier options menu.

To proceed with the requested sale, the system prompts the customer to indicate how the customer would like to sell the security. Specifically, the customer may be given the option of selling by number of shares, 5 by dollar amount, or by selling the customer's entire position. If full redemption is requested, the process continues as shown in Fig. 18B. If the customer wishes to sell by shares, the customer is requested to indicate 10 how many shares to sell by inputting the amount on a displayed numerical keypad. The system then determines whether the number of shares provided by the customer is more than the customer then holds. If so, an "error" condition is displayed to the customer and the customer is given the option of returning to an earlier display. 15 If a valid amount is requested, the process continues as shown in Fig. 18B.

In a similar manner, if the customer requests to sell by dollar amount, the system determines whether the requested amount is greater than the asset value of 20 the customer's holdings. If so, the customer is given the option of inputting a new amount. If the customer has input an amount equal to or less than the dollar value of the customer's holdings, the system then determines whether the amount entered is more than a 25 predetermined percentage, for example, 90 percent (90%) of the customer's account balance. If so, the system indicates that only up to 90 percent of the customer's account value may be redeemed, and the customer is given the option of trying again. Once a valid amount has been 30 entered, the process continues as shown in Fig. 18B.

As indicated in Fig. 18B, the process then determines if the requested amount is within preestablished system parameters; for example, a 35 predetermined maximum and a predetermined minimum dollar amount. If the requested transaction is greater than a maximum amount, an appropriate message is displayed which

informs the customer of the maximum amount and a consultant to contact directly to perform the transaction. If the requested amount is below the minimum amount, the system displays an appropriate  
5 message depending on whether the customer requested the sale by dollar or by amount. For example, the system will display the minimum amount necessary for a sale by dollar value or by share amount and the customer is returned to an earlier option.

10 If the fund was a back-end fund, the system informs the customer of the amount to be deducted to cover the fee, and the customer is given the option of quitting the process. If the customer desires to continue, or if no back-end fee is applicable, the system  
15 then determines whether the customer has a full-service account. If so, the system requests that the customer indicate whether the requested transaction was solicited by a consultant and an internal record is updated based on the response. The system then determines whether any  
20 similar orders have been requested. If so, the system verifies that a sufficient number of shares are available in the customer's account to complete the latest requested transaction. If there are insufficient unencumbered funds to complete the transaction, the user  
25 is informed of this fact and returned to a previous options menu. If there are enough funds to proceed with the transaction, the system then informs the customer of the possible duplicate transactions. The customer is then given the opportunity to review each of the possible  
30 duplicate transactions. Once all possible duplicates have been reviewed, the process may continue. As the customer reviews the duplicates, the customer is given the option of cancelling the order. If cancellation is requested, a confirmation message is displayed and the  
35 customer is returned to an earlier options menu.



If no similar orders were found, the order is recapped for the benefit of the customer. This recap preferably includes the number of shares of the particular security, the account to which the proceeds of the sales should be deposited, the amount of any applicable fee, including any applicable back-end load, and the customary period for which the order will take place. At this point, the customer is given the option of cancelling the order or proceeding. If the order is cancelled, an appropriate message is displayed to the customer, and the customer may then return to a previous options menu. If the customer desires to proceed with the transaction, the system determines whether any restrictions are in place by either the brokerage system or the exchange through which the fund is traded. Any restrictions barring the requested transaction are indicated to the customer.

If no restrictions are present and the customer desires to proceed, the order is placed and an appropriate message is displayed to the customer. The customer may then return to another options menu.

The process for buying mutual funds is described in the flowcharts spanning Figs. 19A-19C. As shown in Fig. 19A, the system first determines whether the customer already owns any mutual funds. If a new fund is selected, the system either displays a message requesting the customer to contact a consultant about purchasing new funds or prompts the user to input a mutual fund symbol. The system then determines whether the inputted symbol matches a name stored in the system's directory. If not, the user is informed that no match was found and is given the option of trying again. If more than one fund is found, the user is given the option of selecting one matching fund.

Once a new fund has been selected in this manner, the system determines whether the fund is open

for purchase. This involves determining whether the fund is available only to current holders, whether it is not open to new purchase, whether it is restricted due to "blue sky" restrictions, whether the selected fund is an off-shore fund requiring consultation, or if any other system restrictions exist. Once each applicable restriction has been displayed to the user, the customer is returned to an earlier options menu.

If the fund is open for sale, the system determines whether the user already owns any shares of the selected fund. If no shares are already owned, the customer is asked whether the customer has received a prospectus. If not, the customer is informed that no purchase is permitted until a prospectus has been reviewed by the customer and the customer is returned to an earlier options menu.

If the customer already owns shares of the selected fund, the system confirms this fact and the process continues as shown in Fig. 19A.

If the customer already owns shares of the selected mutual fund, the system then displays the symbol and name of each fund owned by the customer. If the fund is open for sale, it is next determined whether any promotional conditions exist. This is accomplished by consulting system variables associated with each fund. If a promotion is available, a message is displayed stating that the fund may have a special offer for qualifying customers, and indicates a consultant for the customer to contact if interested. If the customer chooses to continue or if no promotions are in effect, the process then continues as shown in Fig. 19B.

As shown in Fig. 19B, the system determines whether the mutual fund is hourly priced and whether a front-end load apply to the purchase of the fund. Once this information has been obtained, the system displays the security's last available price, and indicates

whether it was available on the hour. Any applicable front-end load is also displayed. The customer is then given the opportunity to proceed with the purchase or to return to an earlier options menu.

5           If the customer chooses to continue with the purchase the system requests that the customer input the amount of purchase. The system then verifies that the requested amount is within predetermined parameters, such as a maximum and a minimum dollar amount. If the  
10 requested amount is below a minimum dollar amount, the minimum amount is displayed to the customer and the customer is given the option of inputting a greater amount. If the customer selects an amount which is greater than the maximum amount, the maximum amount is  
15 displayed to the customer and the customer is returned to an earlier options menu.

          If the amount selected by the customer is within the system parameters, the system continues depending on whether a front-end load is applicable. If  
20 a front-end load applies to the purchase, the sales charges for the purchase is displayed. If applicable for the selected fund, the system may also display a breakpoint. As known in the art, the breakpoint provides for a reduced fee if the purchaser or members of the  
25 purchaser's family have more than a fixed amount in the family of funds. The customer is given the option of indicating whether he or she feels that a reduced fee is available. If so, the customer is provided with a referral to contact in order to fill out a letter of  
30 intent (LOI). If the customer has already filled out such a letter of intent, or if no reduced fee is available, the customer is given the option of continuing.

          The purchase process continues by determining  
35 whether the requested purchase is an initial purchase for the selected fund. If so, the customer is prompted to

indicate whether to reinvest or transfer dividends to another account. A similar selection is made for future capital gains. If it is not the initial purchase, the previous selections are maintained. The system then  
5 determines whether the customer has a full-service account in order to obtain the information mentioned above. If the customer does not have a full-service account, or the customer has indicated whether or not a consultant had been contacted, the process continues as  
10 shown in Fig. 19C.

As shown in Fig. 19C, the process determines whether any similar orders exist. If so, the system determines whether the requested purchase amount is over a daily fund maximum. If so, the daily fund maximum  
15 amount is displayed and the customer is given the option of performing another transaction or of quitting. If the requested amount is below the daily maximum, the customer is informed that a possible duplicate might exist. By displaying the purchase amount, the security, the source  
20 and destination, and the time at which the transaction will take place. The customer is prompted to review each possible duplicate and to indicate whether or not to continue. Once this process has taken place, the customer may proceed. The system then displays a recap  
25 of the requested purchase, including the amount, security name, and any applicable purchase fee. The customer is then requested to confirm that it is desired to complete the transaction.

If the customer desires to proceed with the  
30 requested buy order, the system verifies whether any restrictions are applicable. For example, the system determines whether a confirmation has been received, whether the system has imposed any restrictions, whether the channels through which the purchase is made are  
35 unavailable, or whether it is necessary to contact a consultant. If each of these criteria are met, the

system indicates that the order has been placed and the customer may then return to an earlier options menu.

The process for exchanging mutual funds is illustrated in the flowcharts of Figs. 20A-20C. As shown  
5 in Fig. 20A, it is first determined whether the customer has any saleable funds. If not, an appropriate message is displayed to the customer who may then return to a previous options menu. If the customer has at least one  
10 saleable fund, the customer's saleable funds are displayed, and the customer is prompted to select a fund from which an exchange is to be made. Once a "from" fund has been selected, the system determines whether any other funds in the fund family are available for  
15 exchange. If not, a message is displayed indicating that the selected fund is the only fund in the family. If other funds are available, a list is displayed for the customer to select from.

Once the customer indicates a particular fund as a "to" fund, the system determines whether the NAV of  
20 the "from" fund is greater than zero. If not, an appropriate message is displayed and the customer is asked to contact a consultant. If the NAV is greater than zero, then the system determines whether the "from" fund has an open order to be fully liquidated. If so,  
25 the system displays the outstanding order to liquidate and the customer is returned to an earlier options menu.

If meeting the previously described criteria, the system then determines whether the "to" fund is already owned by the customer. If not, the system  
30 determines whether the customer is eligible to proceed. If not eligible to proceed, a message is displayed indicating that the customer should contact an appropriate consultant. If configured for new funds, the customer is asked whether a prospectus for the selected  
35 "to" fund has been received. If so, the customer may

proceed. If not, the customer is informed that a prospectus is required.

Once these steps have been performed, the system determines whether the "to" fund has a front-end load associated with it. If not, the process continues as shown in Fig. 20B. If a front-end load is applicable, the system determines whether the load on the "to" fund is greater than the load on the "from" fund. If not, the process continues as shown in Fig. 20B. If the load on the "to" fund is greater than the "from" fund, then the system determines whether the fund is priced hourly. The system then displays the net load or fees which are applicable based on the hourly-updated price or the last available price, and the customer is given the option of continuing.

As shown in Fig. 20B, the user is prompted to indicate whether to exchange by full redemption or by a dollar amount. If full redemption is indicated, the system determines whether the customer has previous open orders or whether any restriction exists for the "from" fund. In either case, a message is displayed indicating that the transaction cannot proceed. If neither condition is met, then the system determines whether the requested transaction is the initial purchase for the fund. If so, then the system determines what the customer wishes to do with dividends and capital gains earned; for example, whether to reinvest these amounts or to transfer to another account. The system also determines whether the customer has a full-service account and, if so, whether the requested transaction was made after consultation. The process then continues as shown in Fig. 20C.

If the customer indicates a dollar amount for exchange, the system determines whether the amount is more than the total amount held by the customer, whether the amount is less than a 90 percent (90%) total holdings

limit, and whether the requested amount is within system parameters. For example, the system determines whether the requested amount exceeds a daily maximum or a daily minimum and, if so, displays the applicable limits. If  
5 all such criteria are met, the process continues as shown in Fig. 20C.

In Fig. 20C, the system next determines whether any similar order has been made. If not, a recap of the requested exchange is displayed to the customer and a  
10 confirmation is requested. If the customer cancels the transaction, the system confirms the cancellation and the customer may then return to another options menu. If confirmation is provided, the system determines whether certain criteria are met. These include whether it is  
15 necessary to contact a consultant, whether confirmation had not accurately been received, whether the system is unavailable at that time, and whether the brokerage system is down. If these criteria are met, the system indicates that the order has been placed.

20 If a similar order was discovered, the system calculates whether enough shares would be left over after the similar order had been placed. If not, the customer is informed of the possible insufficient funds and is given the option of returning to an earlier options menu.

25 If there are enough funds to cover both transactions, the customer is informed of each possible duplicate order. Once all possible duplicates have been reviewed, the customer may then proceed with the transaction upon providing an appropriate confirmation.

30 According to these processes, the method and system according to the second embodiment permits one to buy sell or exchange mutual funds. Moreover, the customer is informed of applicable fees and any promotional offers. As indicated, these transaction are  
35 performed in compliance with applicable regulatory provisions.

If the customer selects the "get information" option, as indicated in Fig. 16, the process continues as shown in Fig. 21. Upon selection of the "get information" option, the customer may then select one of a "holdings" option, a "stock quotes" option, a "symbol directory" option, or an "activity and orders" option. The fourth option permits the customer to review previously made orders and account activity in a manner similar to that described above with respect to the first embodiment of the invention. Selection of any of the first three options results in the following process.

The system determines whether the customer has a linked-brokerage account. If not, the system indicates that the selected option is not available and the customer is returned to a previous options menu. If the customer does have a brokerage account, the system then determines which account the customer wishes to access. The system then displays a portfolio profile message and determines whether the broker system is available. The profile message is then displayed to the customer and the system determines whether the brokerage system is available. If the brokerage system is unavailable, the situation is indicated to the customer, who may then return to a previous options menu. The system then provides information relating to the customer's total holdings, including mutual funds and stocks, provides price quotations for both stocks and mutual funds, or consults a symbol look-up table for both stocks and mutual funds in accordance with the selection of the user. These processes correspond to those described above. For example, the brokerage system consults an outside quotation provider in order to determine the most current stock and mutual fund prices.



D. Detailed Description of System Elements (Figs. 14-15)

As mentioned above, it is a feature of the invention that preexisting systems can be reconfigured to support a combined brokerage and non-brokerage functions provided through an ATM. Accordingly, the following discussion describes by way of example, individual systems programmed in accordance with aforementioned processes. These systems together comprise one example of an integrated financial system according to the invention. Those skilled in the art will appreciate that a vast number of alternate embodiments are available without departing from the spirit or scope of the invention.

15

1. CAT

As described in reference to Fig. 1A, customer activated terminals (CATs) support common ATM functions such as cash withdrawals and deposits, transfers, account inquiries, and statement printing. Moreover, they feature touch screens, color displays, dip type card readers, support for several different languages, and data encryption techniques.

CATs generally include standard microcomputer architecture including a processor with associated volatile and non-volatile memory to execute various software systems. The software environment of CATs includes several communications modules and gateways, including a an integrator which handles message processing with the host or FEP. Such message processing includes initialization processes, applications requests, retries and status reports to the external service provider. Other software elements include various device drivers and communications applications, such as a communications application for communicating with a branch location which maintains the CAT.

35

Within this environment, a CAT or many other ATMs with comparable hardware/software support, can receive data from a front end which is displayed to a customer, as well as receive data input from the customer which is provided to various service providers. Thus, a CAT can be suitably programmed in accordance with the above-described processes.

## 2. TPS/CPS

As illustrated in Fig. 2, the transaction processing system is a front end processor which supports several access points, including a CAT 100. In the example shown in Fig. 14, two TPS locations 102 are linked to a regional interface (CPS) 106 via a common integrator 104. CPS 106 thus provides multi-region applications, and, as described in greater detail below, enables communications between a brokerage system which implements trade orders and real-time quote requests (as well as other financial providers). In this example, CPS 106 also permits portfolio evaluation based on real time information provided by the brokerage system.

Brokerage messages transmitted between TPS/CPS and a brokerage system may include any number of different data elements provided with a standard communications protocol. For example, data elements for trade requests may include date and time, type of action (order, cancel status request), order side (buy, buy minus, buy call, sell, sell short, and so forth), quantity, price, duration of request, account number, and others. Data elements for symbol look up requests may include a ticker symbol, an issuer name, a description, and a security category or subcategory information such as common stock, preferred stock and so forth. Accordingly, TPS/CPS supports the following functions referred to above: price quotations, portfolio profile, recent brokerage activities, portfolio inquiries, trades

awaiting settlement, trades saleable, trade buys,  
possible duplicates inquiries, possible duplicates  
summaries, open orders. Data elements corresponding to  
this information is provided to the CAT in a format  
5 compatible with the CAT's software environment.

In this example, TPS/CPS also support off-line  
brokerage functions. For example, CPS supports setting  
of quotations limit files, customer trade limit files,  
and symbol files. These system variables are then  
10 globally applied to customers accessing the system.

In addition to supporting brokerage functions,  
TPS/CPS provides other functions. For example, as shown  
in Fig. 14, TPS utilize a cross reference file (XREF) 108  
containing data elements linking CINs, magnetic strip  
15 encoded information, and PINs with embossed numbers and  
customer accounts. Further, in this example, the CPS 106  
also references: an order log 110 which tracks all  
orders sent to the brokerage system; a symbol directory  
112 which is used to look up symbols recognized by the  
20 brokerage system upon request of the customer; and  
various files for trading 114 which keep track of  
brokerage requests. These elements enable initialization  
of an online session, verification of a request, as well  
as the "symbol look-up", "get information", and "recent  
25 activity" functions described above.

### 3. Brokerage System

As described above, the brokerage system serves  
to provide various functions requested by the CAT through  
30 TPS/CPS. These include trading functions, such as buying  
or selling at a market or limit price, providing current  
price quotations and portfolio evaluation.

An illustrative example of the brokerage system  
is illustrated in Fig. 15. As shown, two servers 126 and  
35 128 are connected respectively to a dual ethernet 130. A  
primary quotation/portfolio analysis system 132 and

secondary quotation/portfolio analysis system 134 are connected with each other through respective nodes 136 and through the dual ethernet. These systems and a test quotation/portfolio system 140 are connected via the dual ethernet, thereby forming a broker system local area network (LAN). These systems provide quotations and portfolio analysis based on information obtained from a ticker/quotation data system 142 operatively connected to the broker system LAN. Also forming part of the broker system LAN is system 144 which places trade orders to various securities exchanges 146.

The broker system is linked to several systems, including those described above. For example, as shown CPS 154 communications with the trade system 144 through a bisynchronous line 158. Two TPS systems 150 and 152 communicate to the quote portfolio systems through a X.25 communications network 148.

The system shown in Fig. 15 provides redundancy to ensure reliable processing. Specifically, the quotation/portfolio systems 132 and 134 comprise two RS/6000 systems connected to the TPS's 150 and 152. Only the primary system receives messages from the TPS's 150 and 152. The secondary system 134 remains in a standby state until it is detected that the primary system 132 has failed. Watchdog processes monitor the X.25 processes 148 and the query the servers 126 and 128.

According to this example, it is possible to provide the information necessary for securities trading, portfolio evaluation, and quotation inquiries to an existing banking system. These functions are supported by redundant hardware and software environments to ensure the reliability necessary to ensure customer satisfaction.

Accordingly, several preferred embodiments have been set forth in fulfillment of the various objects of the inventions. Specifically, a system and a method have

been described which providing brokerage functions through a preexisting ATM network. In particular, the present system and method permit consumer to conveniently buy and sell securities, obtain up-to-the-minute brokerage  
5 account valuation, and up-to-the-minute securities prices.

It should be recognized that these arrangements and methods are merely illustrative of the principles of the present invention. Numerous modifications and  
10 adaptations thereof will be readily apparent to those skilled in the art without departing from the spirit and scope of the present invention. For example, it will be recognized that the system can be expanding to provide other brokerage related transactions. Accordingly, the  
15 invention is only limited by the following claims.

## WHAT IS CLAIMED IS:

1. A system for performing brokerage and other financial services comprising:

an ATM network comprising a plurality of data terminals having cash dispensing capabilities, said ATM network providing a plurality of financial services to customers through said data terminals including cash withdrawals from customer banking accounts and transfers between customer accounts;

a brokerage system operatively connected to said ATM networks through said at least one host system, said brokerage system including:

means for maintaining records corresponding to customer brokerage accounts;

means for obtaining securities price information upon a request made with said data terminals; and

means for buying and selling securities held on behalf of customers upon a request made with said data terminals.

2. The system for performing brokerage and other financial services as set forth in claim 1 wherein said brokerage system further includes means for evaluating current value of respective customer securities holdings based on said securities price information.

3. The system for performing brokerage and other financial services as set forth in claim 1 wherein said securities price information is obtained substantially in real time.

4. The system for performing brokerage and other financial systems as set forth in claim 1 said securities include stocks, bonds, and mutual funds.

5. The system for performing brokerage and other financial systems as set forth in claim 1, further comprising means for cross referencing a security symbol with other information, including a security name, in response to a customer request.

6. In an integrated network including a plurality of ATMs, a host system for servicing said ATMs, and a brokerage system which maintains user brokerage accounts, a method for providing brokerage services to users with said ATMs comprising:

receiving identification data from a user through an ATM and verifying said identification data based on stored records, said step including verifying that said brokerage system maintains a brokerage account on behalf of the user;

providing the user with an option displayed with said ATM to conduct brokerage transactions or other financial transactions;

receiving selection data provided from a user through said ATM, said selection data indicating selection of a brokerage transaction option;

providing the user with an option displayed with said ATM to trade securities held in said brokerage account;

upon selection of said option to trade securities by the user, obtaining an order request from said user to trade a security held on behalf of the user and forwarding said order request for completion at an exchange at which said security is traded;

providing the user with an option displayed with said ATM to determine current value of a plurality of securities;

upon selection of said option to determine current value of a plurality of securities, obtaining a

current value for a selected one of said plurality of securities and displaying said current value to the customer with said ATM; and

computing a total current value for each security held on behalf of the user based on said information maintained in said brokerage account and displaying said total current value to the user with said ATM.

7. The method according to claim 6 wherein said securities include stocks, bonds, and mutual funds.

8. The method according to claim 6 wherein said ATM includes a touch screen display whereby each option provided to the user is displayed on said touch screen display.

9. The method according to claim 6 wherein said current value is provided substantially in real time.

10. The method according to claim 6 wherein said ATM includes a touch screen display whereby each option provided to the user is displayed on said touch screen display.

11. The method according to claim 6 further includes the step of cross-referencing a security symbol with other information, including a security name, in response to a user request.

12. An integrated financial system comprising:  
an automated teller machine for providing a customer interface to the financial system, said automated teller machine including processor means, input means for receiving customer information from a customer,



display means for displaying information to the customer, and a dispenser mechanism, wherein said processor means receives said customer information and controls said display and said dispensing mechanism;

first communication means for remote transmission of first data from said automated teller machine;

a front end processor system coupled to said first communication means, said front end processor system interpreting said first data from said automated teller machine and providing second data to said automated teller machine whereby said front end processor system controls a plurality of customer interactive processes implemented through said automated teller machine processor means;

second communication means for transmission of third data from said front end processor system; and

a brokerage system receiving said third data from said front end processor system through said second communications means and providing fourth data thereto, wherein said brokerage system maintains a record corresponding to a brokerage account, said record including indicia of number and type of securities held on behalf of the customer and wherein said brokerage system receives trade orders from the customer through said automated teller machine and said front end processor system and places orders to implement said orders.

13. An integrated financial system according to claim 12 further comprising a quotation system for providing securities price information substantially in real time to the customer through said brokerage system, said front end processor system and said automated teller machine.

14. An integrated financial system according to claim 13 further comprising means to compute a current value of securities held on behalf of a customer based on said securities price information, wherein said current value is displayed to the customer with said automated teller machine upon request of the customer.

15. An integrated financial system according to claim 12 wherein said securities include stocks, bonds, and mutual funds.

16. An integrated financial system according to claim 12 wherein said customer interactive processes include dispensing cash to a customer with said automated teller machine, displaying account balances with said automated teller machine, and requesting transfers between customer accounts.

17. An integrated financial system according to claim 12 wherein said display means and said input means comprise a touch screen display.

18. An integrated financial system according to claim 12 further comprising means for cross referencing a security symbol with other information, including a security name, in response to a customer request.

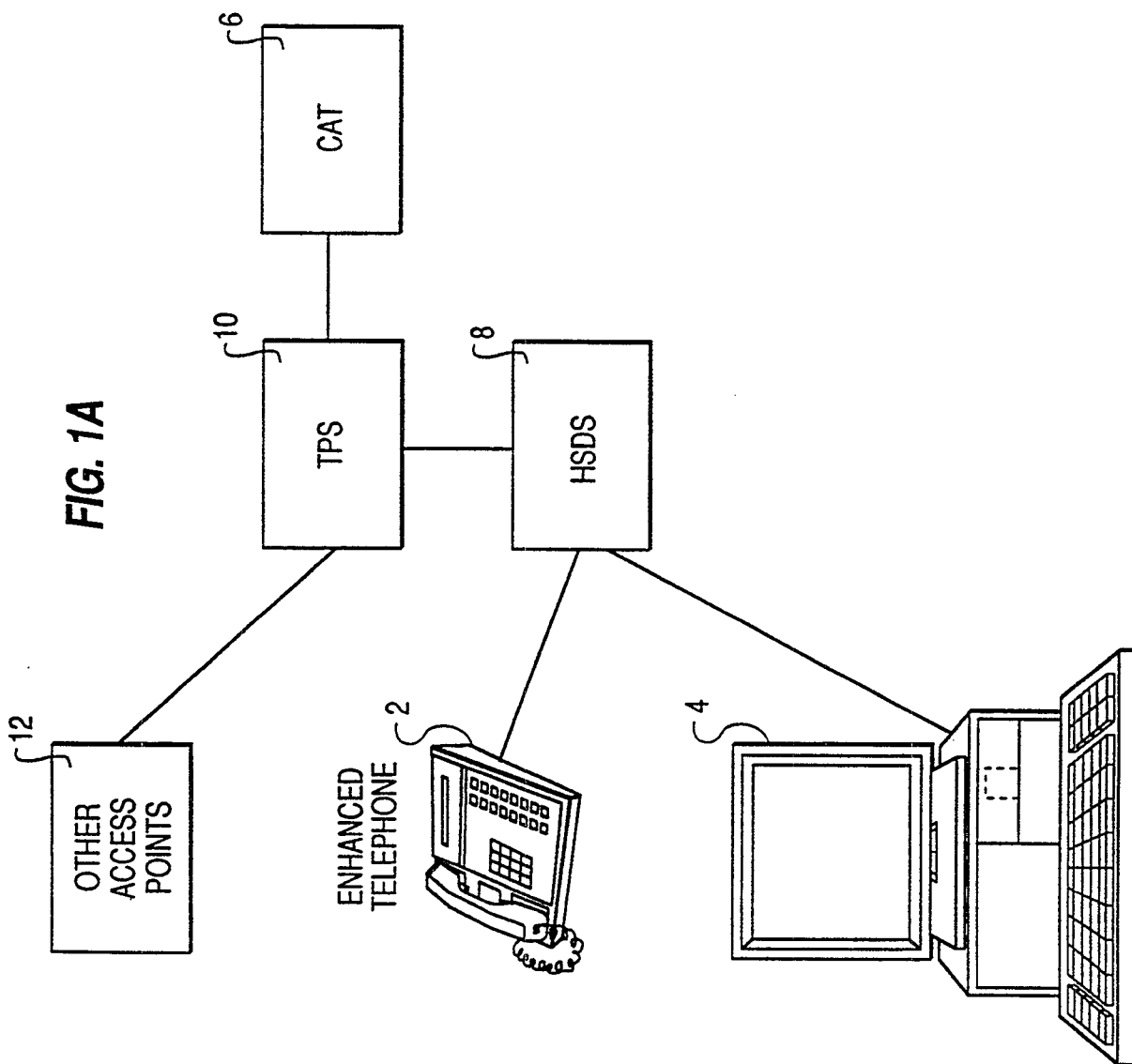
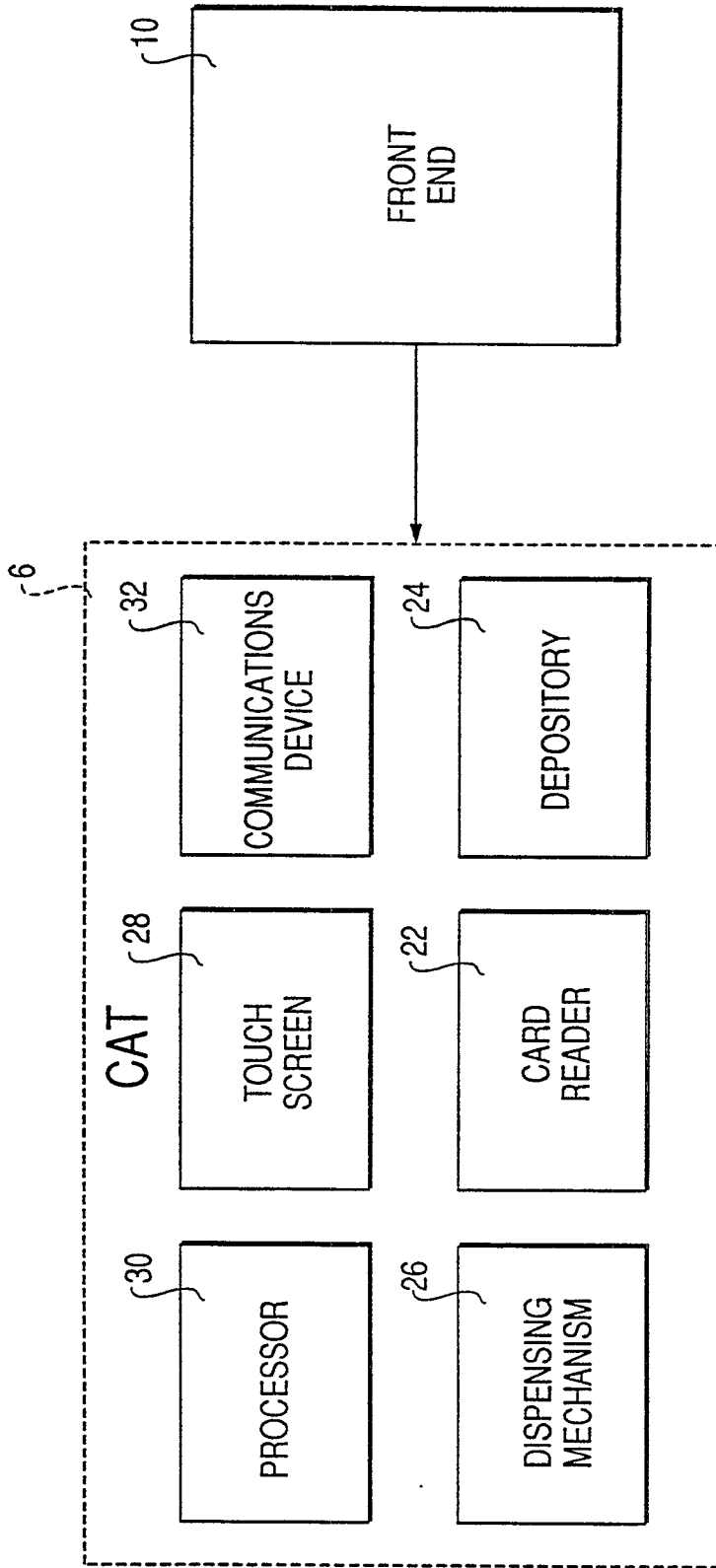


FIG. 1B



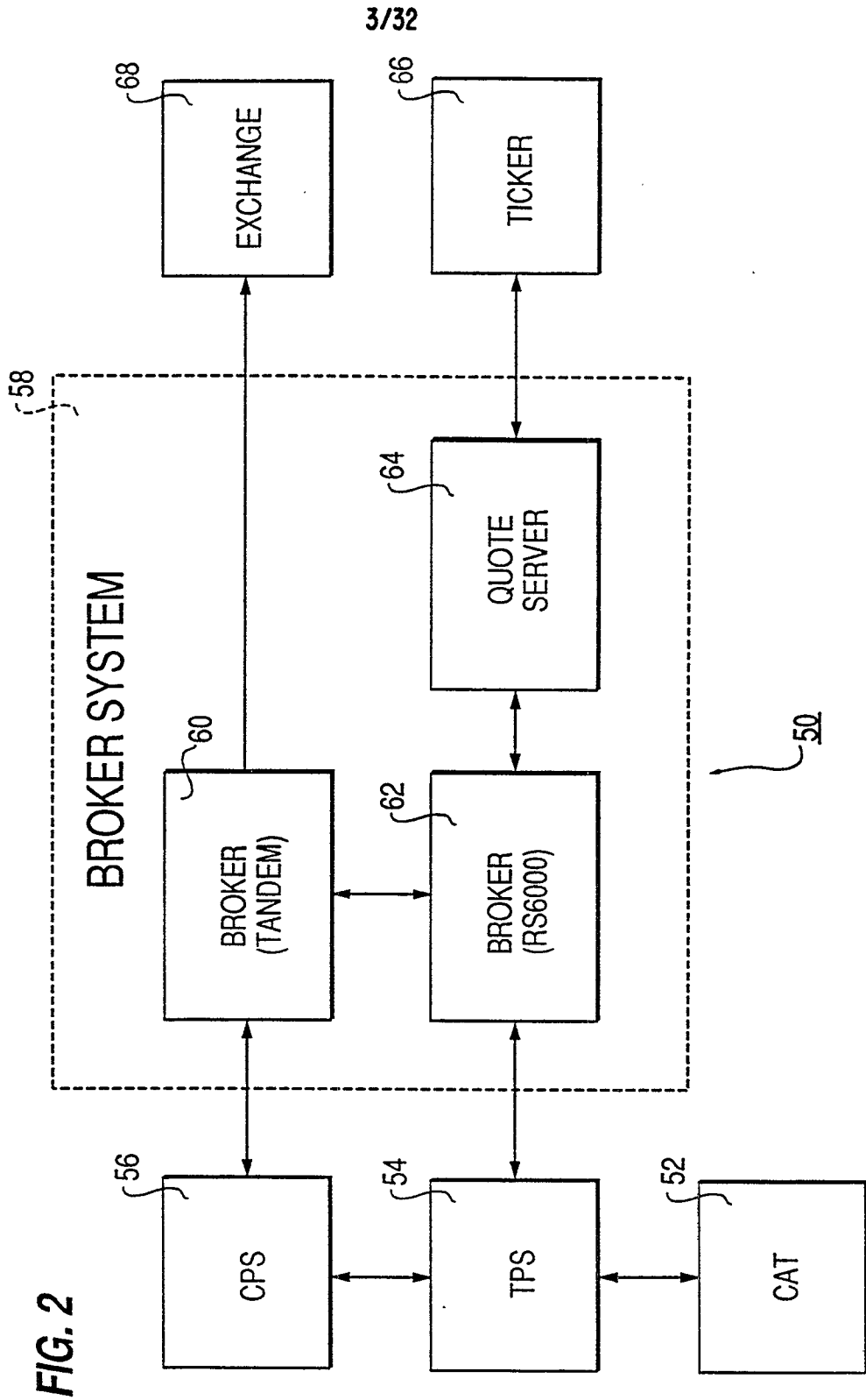


FIG. 2

4/32

FIG. 3

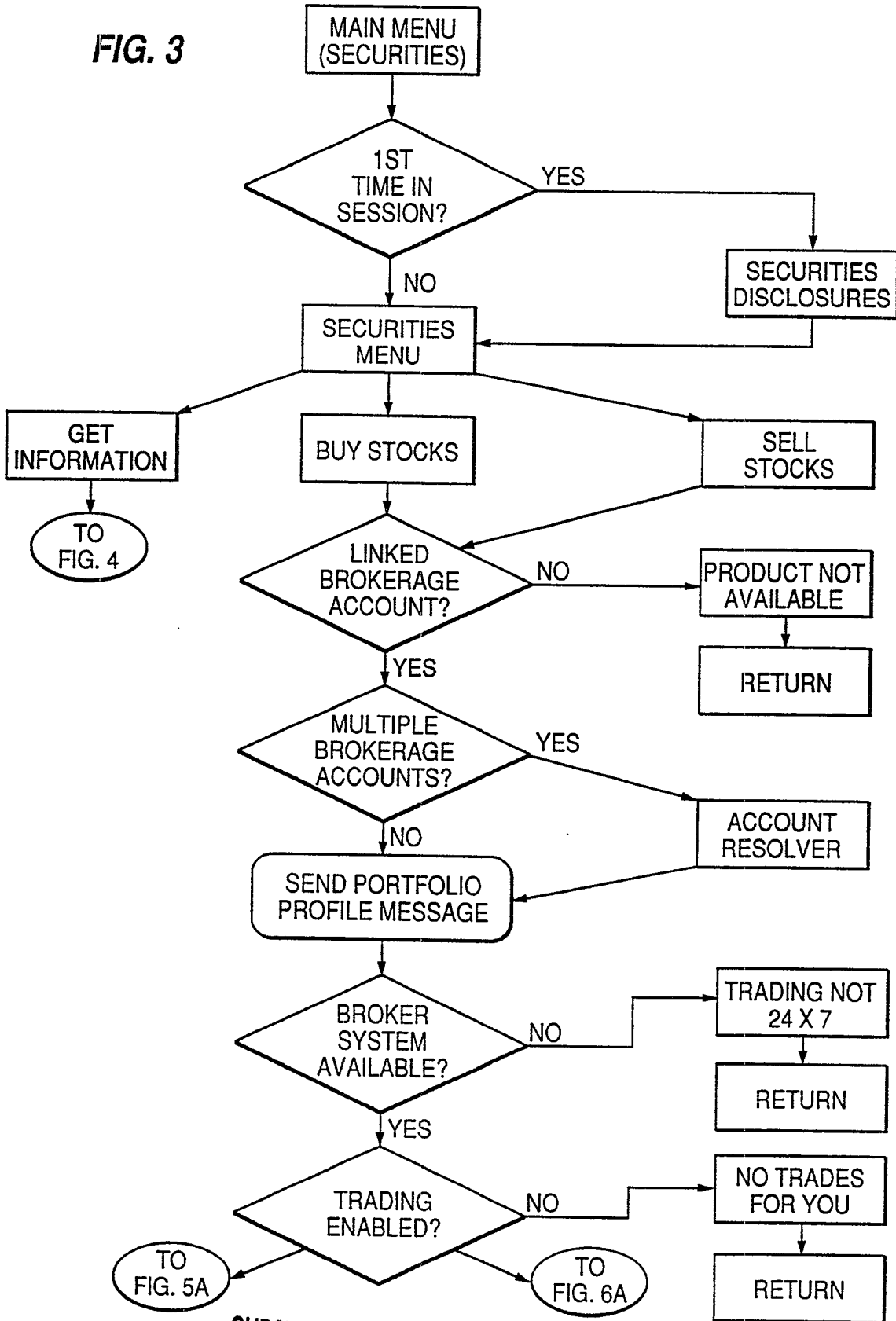


FIG. 4

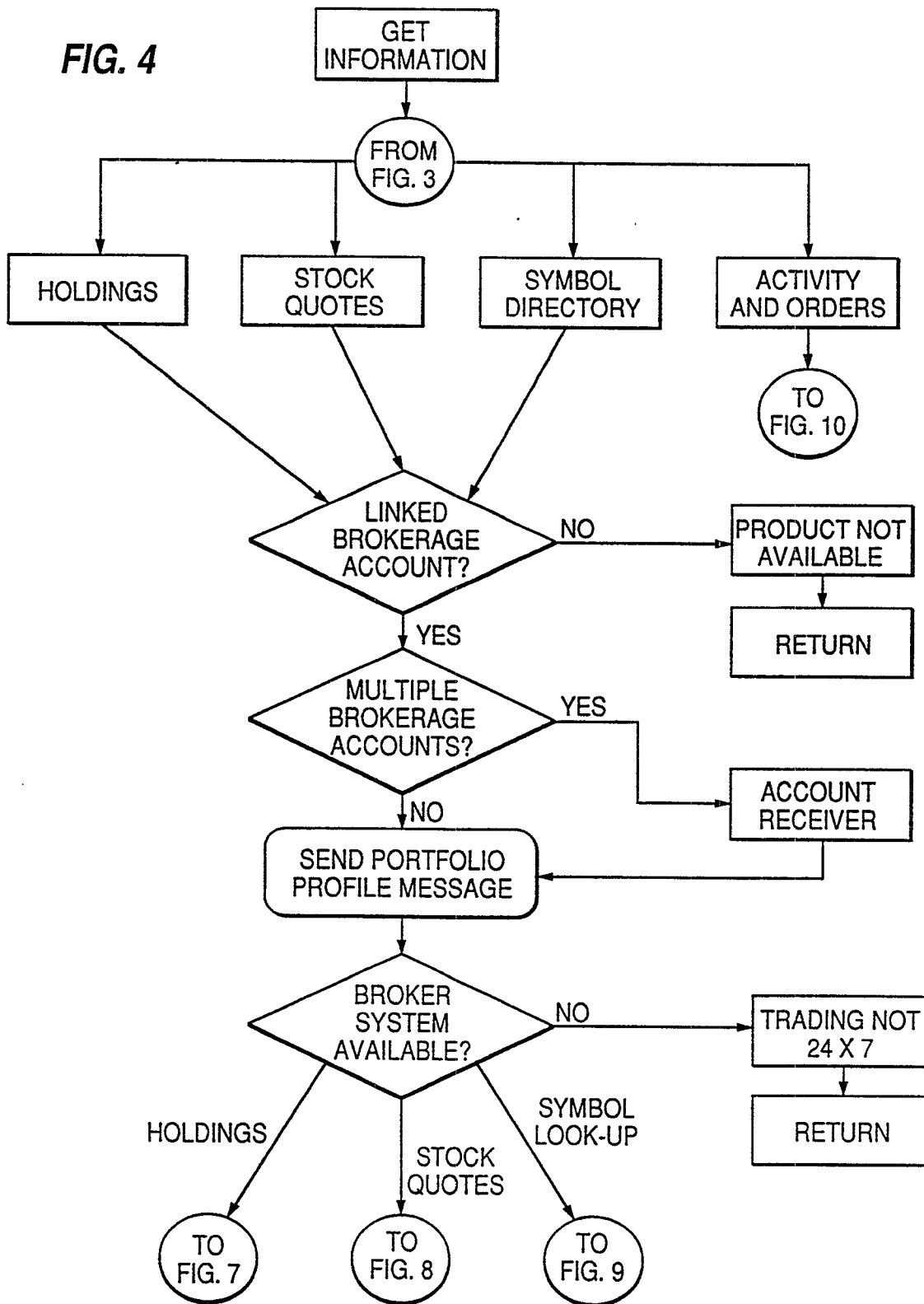


FIG. 5A

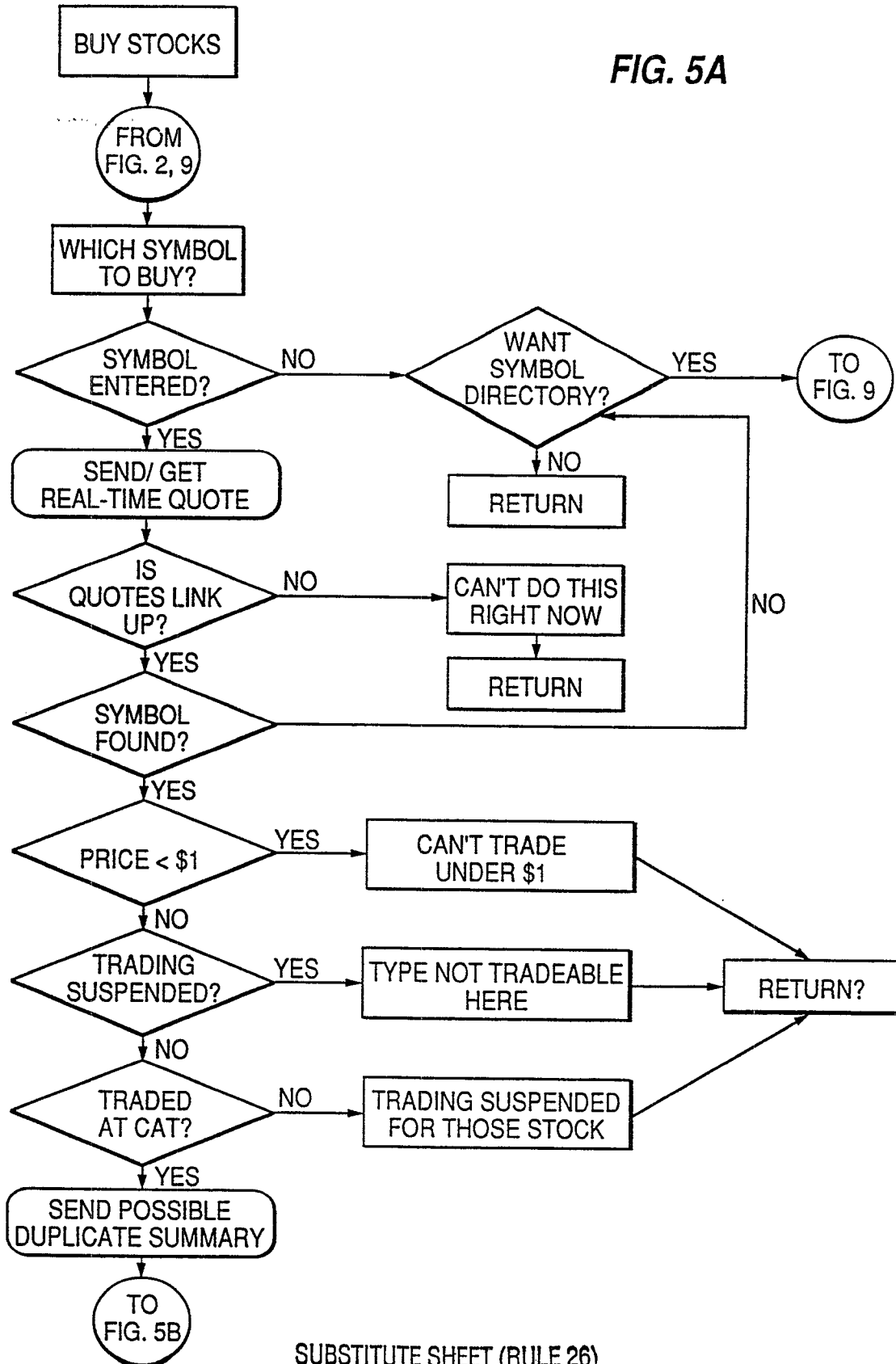
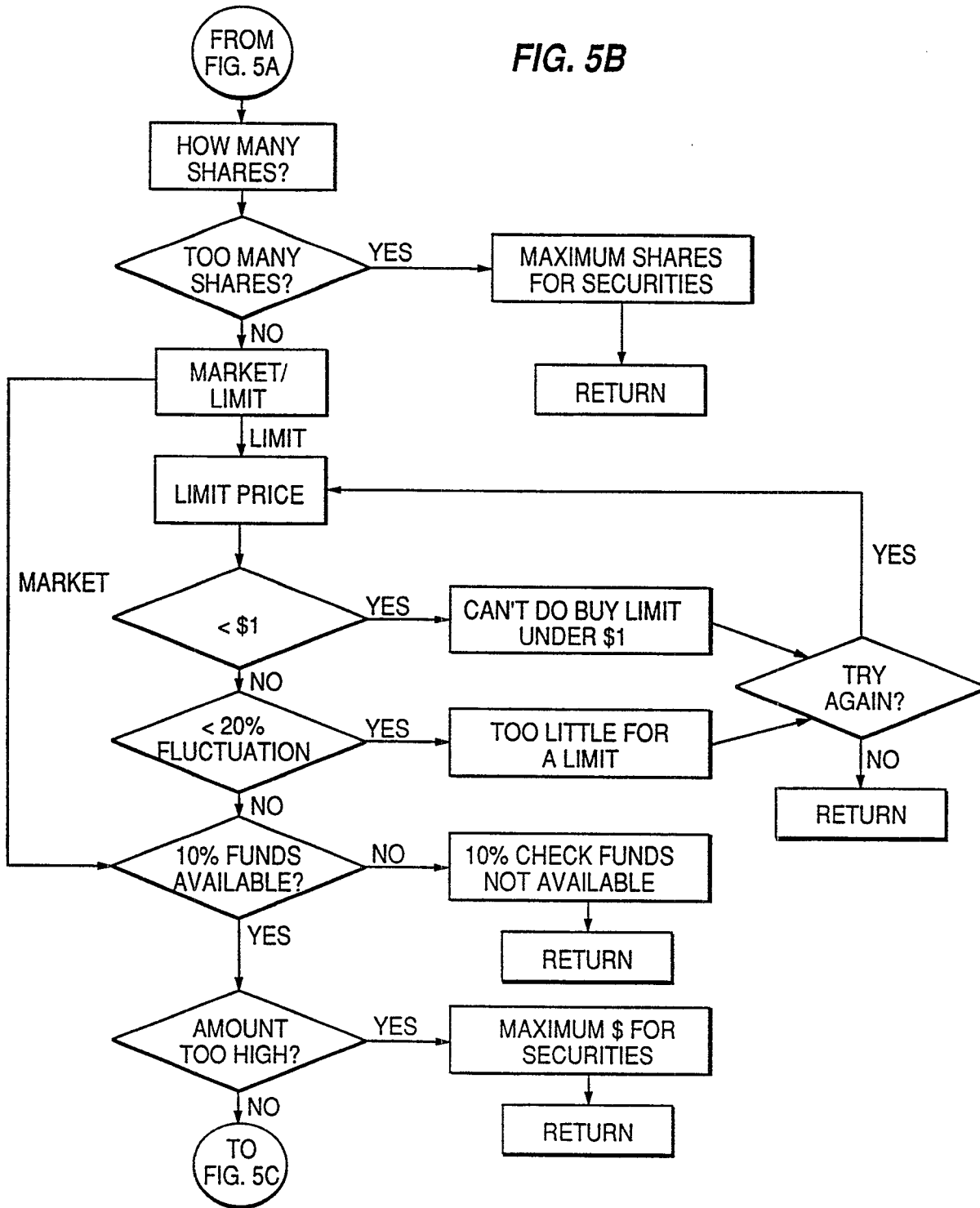


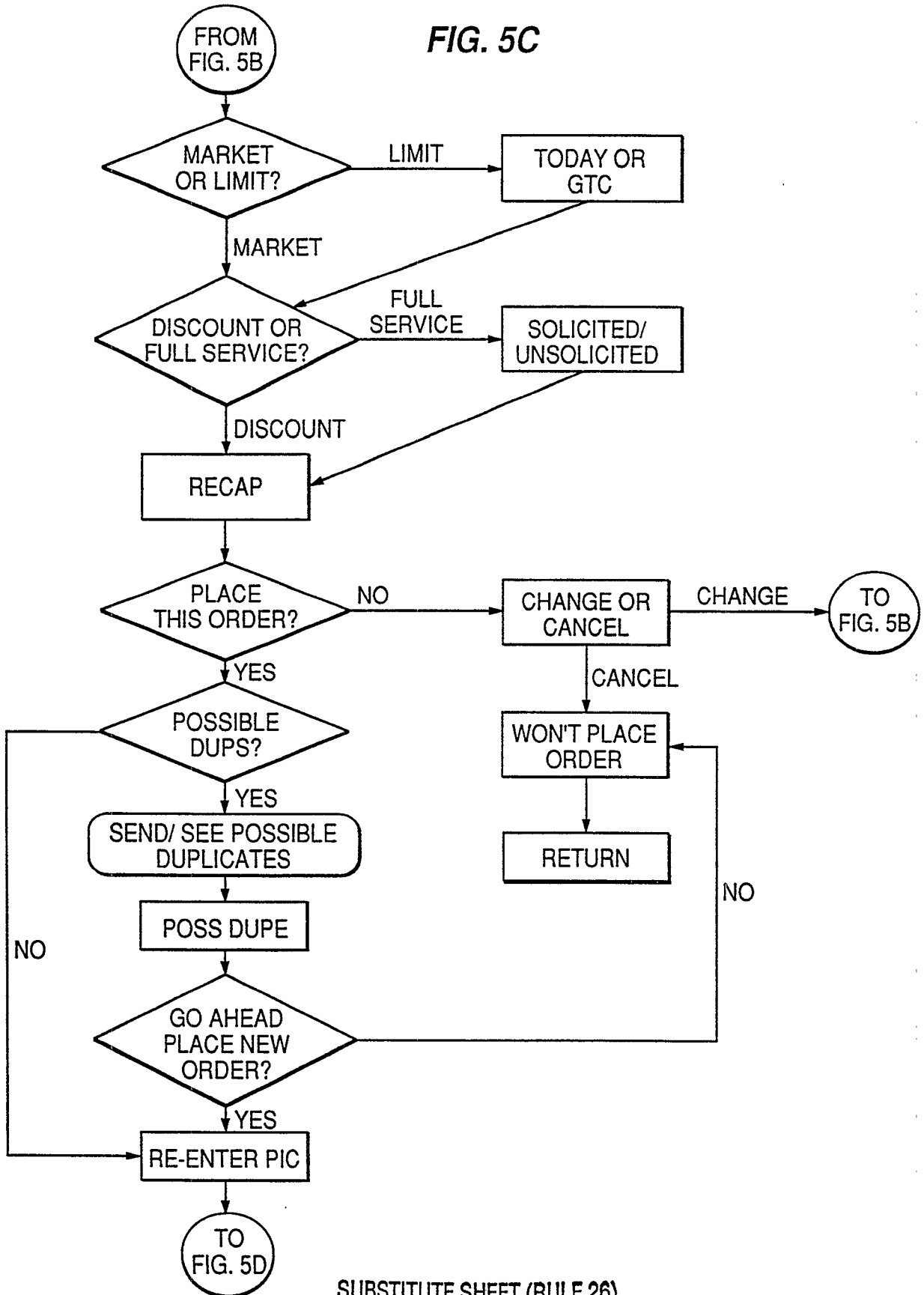


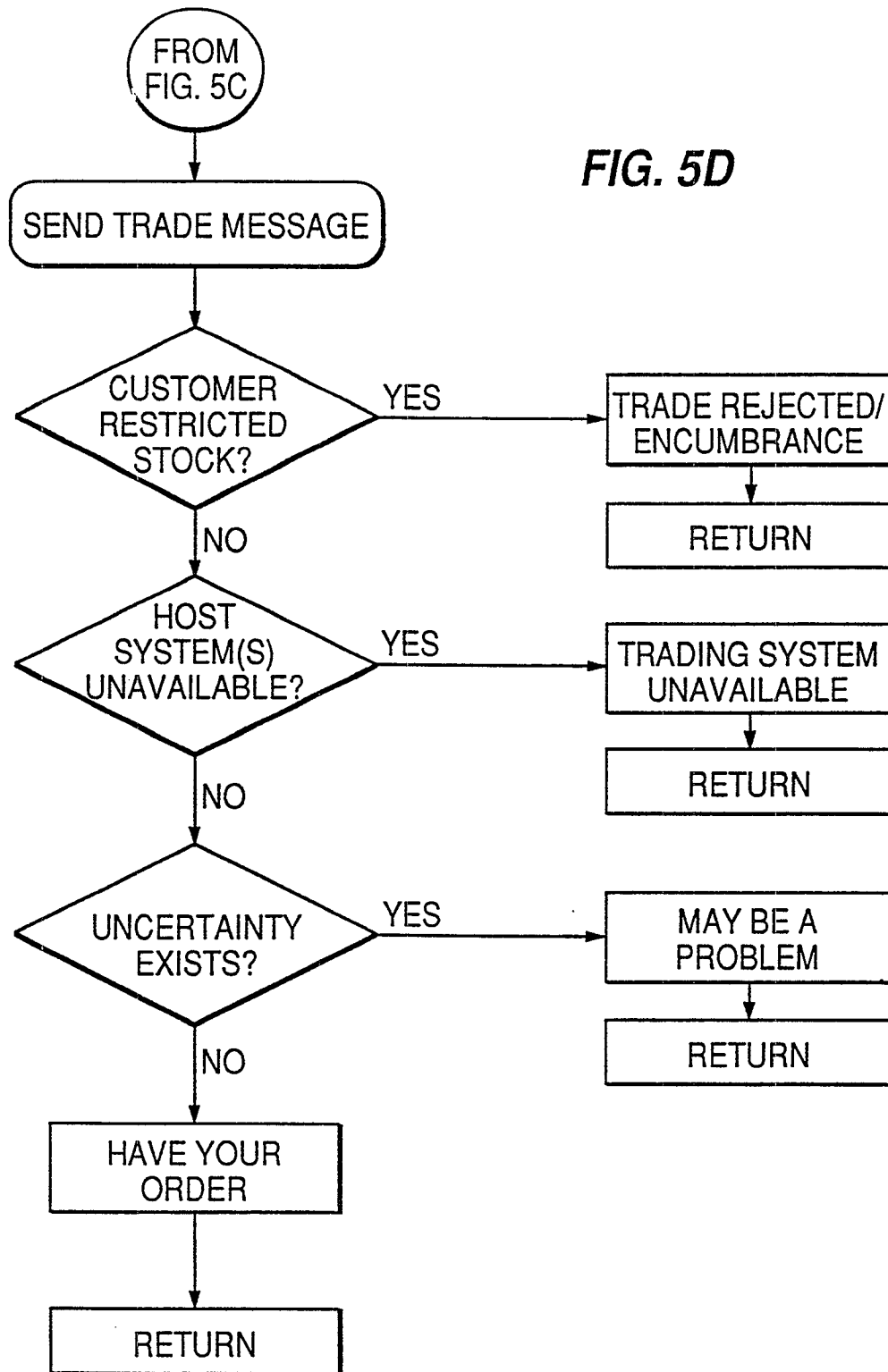
FIG. 5B



8/32

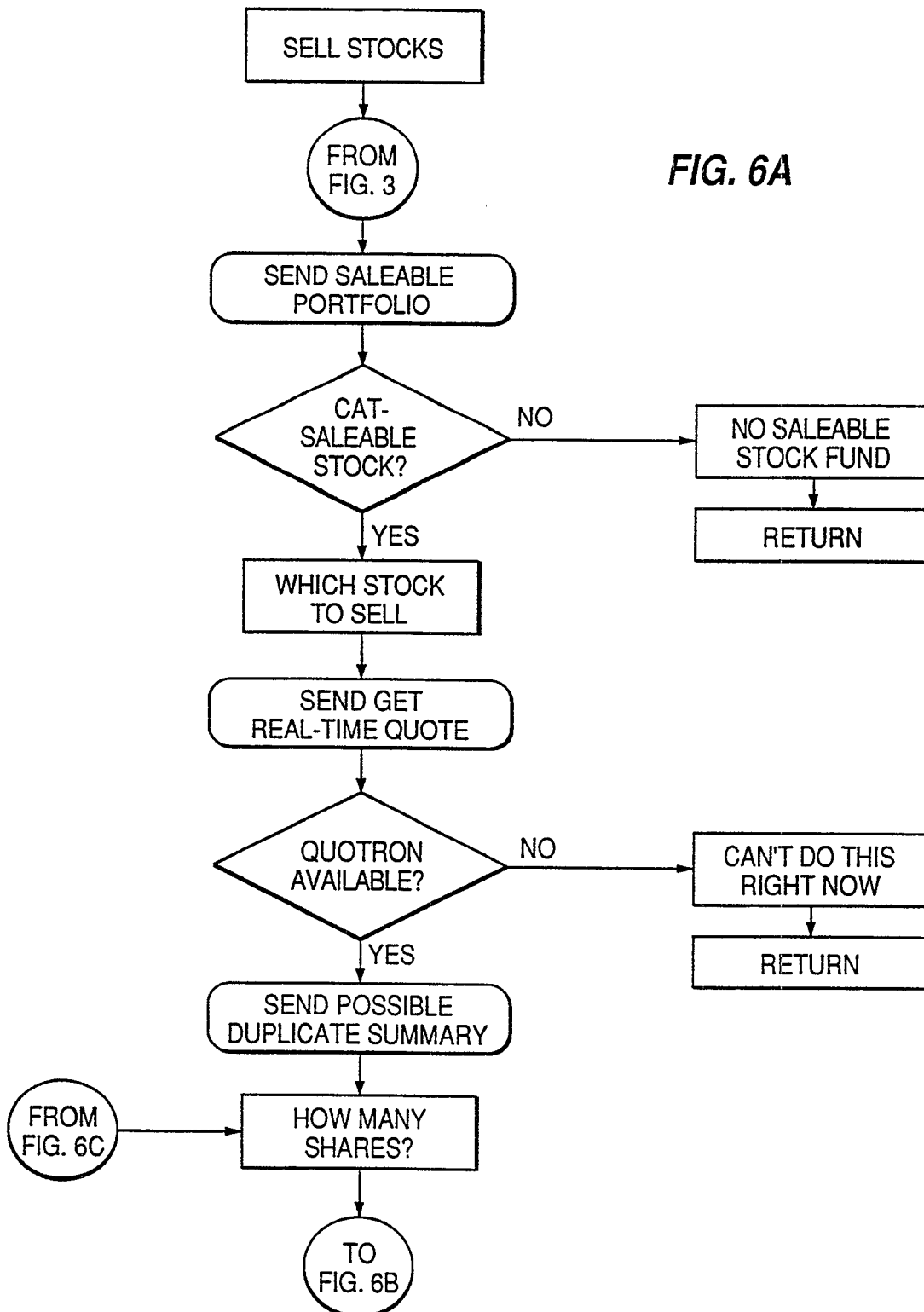
FIG. 5C





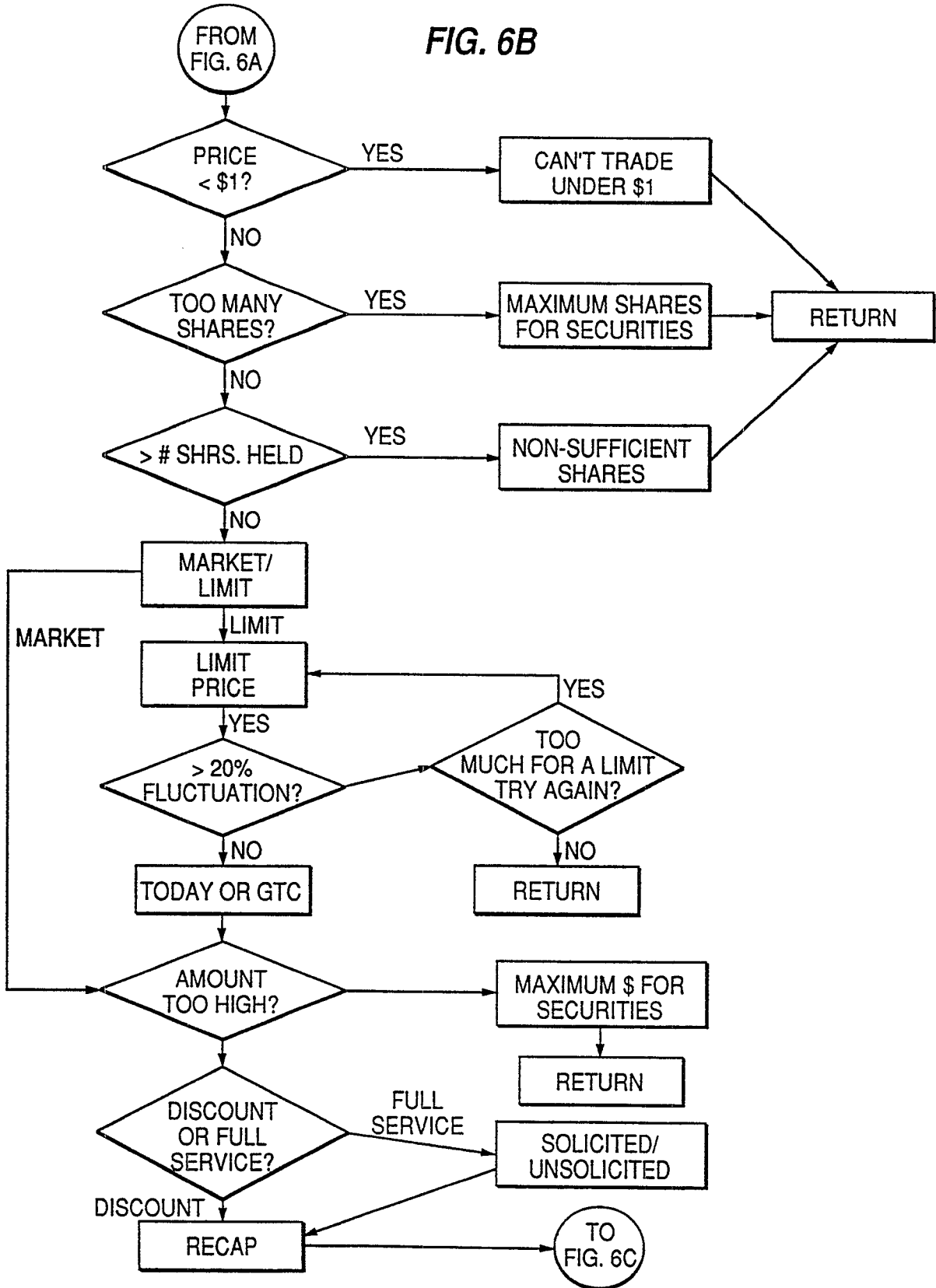
10/32

FIG. 6A



11/32

FIG. 6B



12/32

FIG. 6C

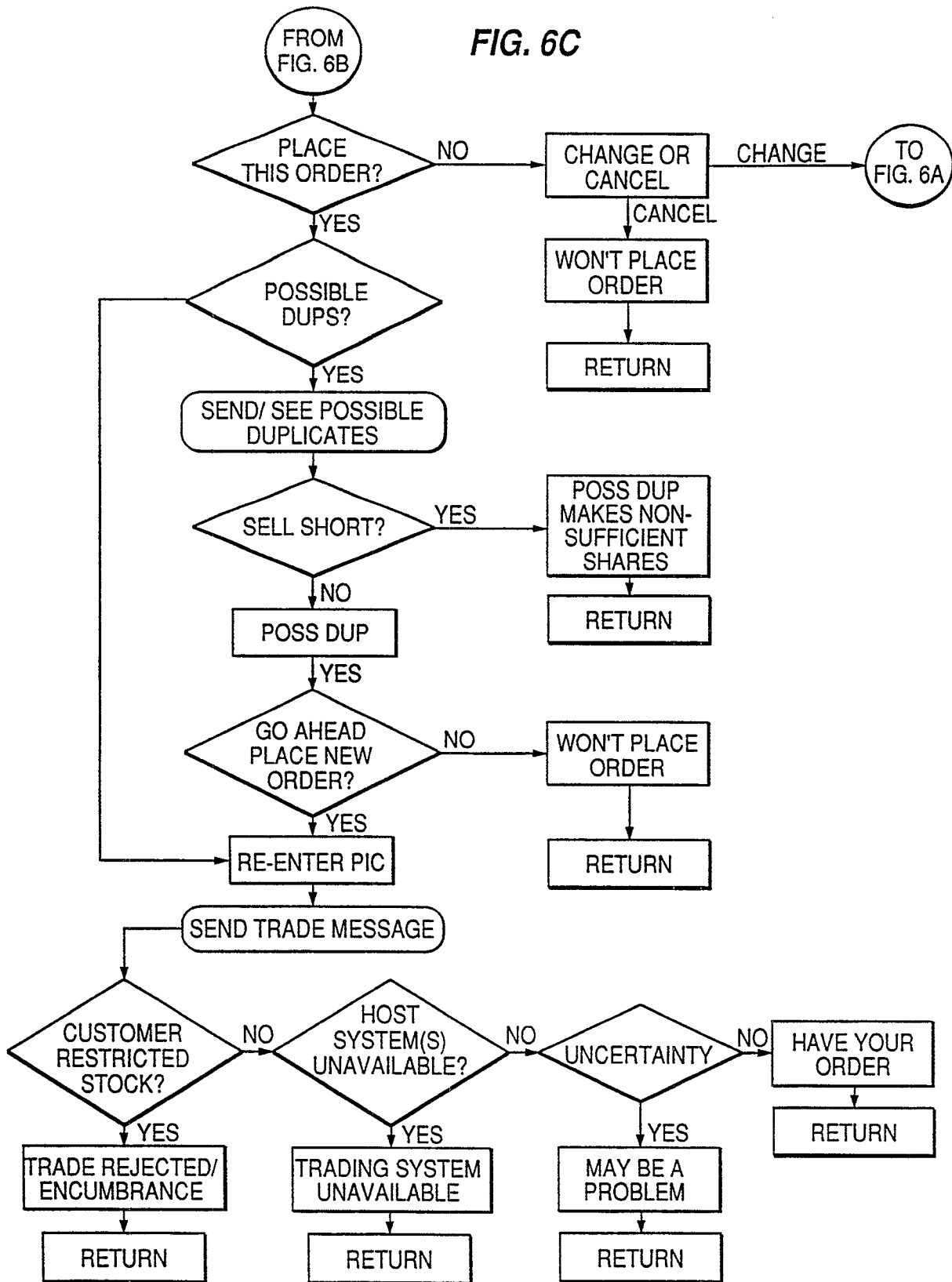


FIG. 7

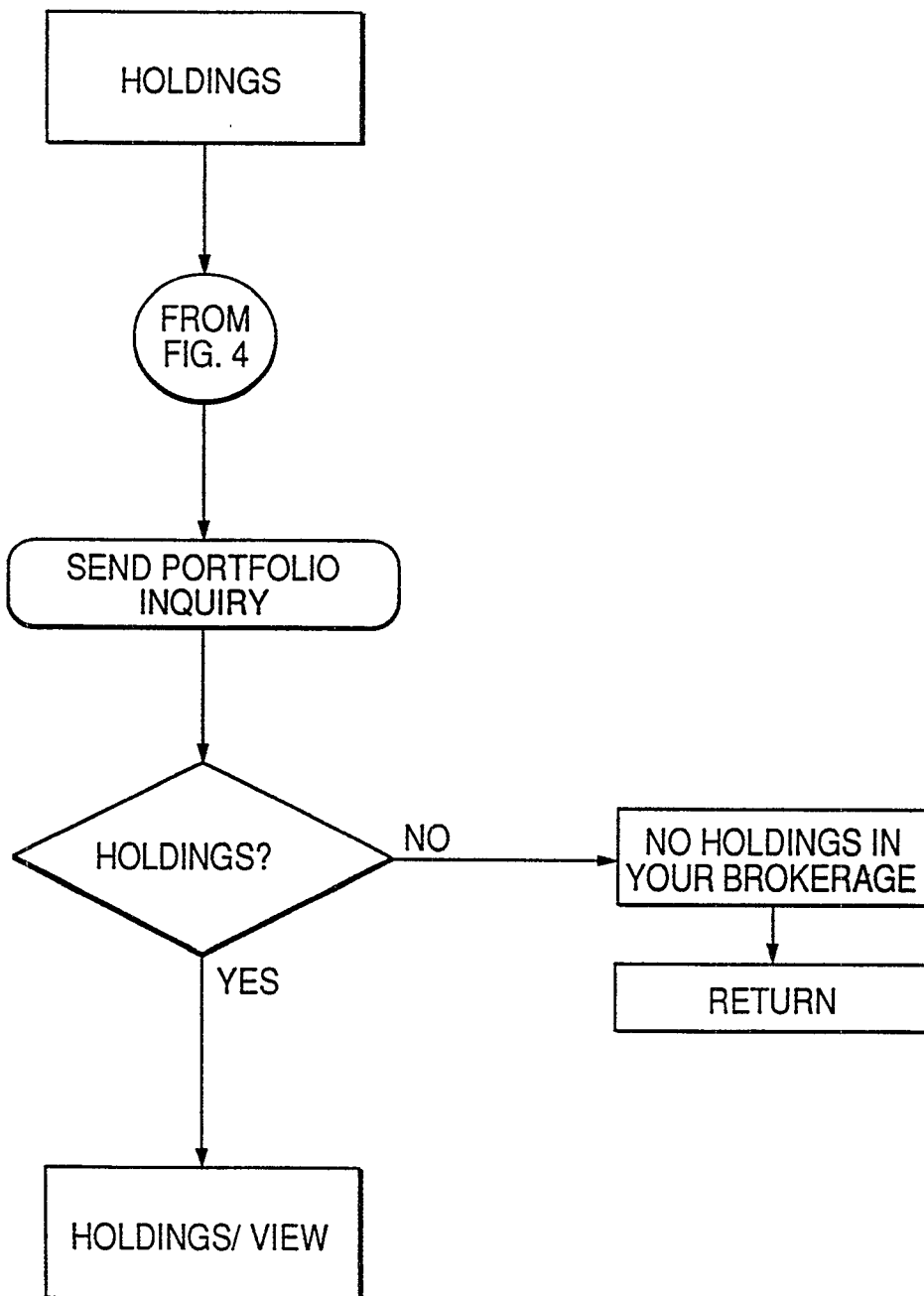
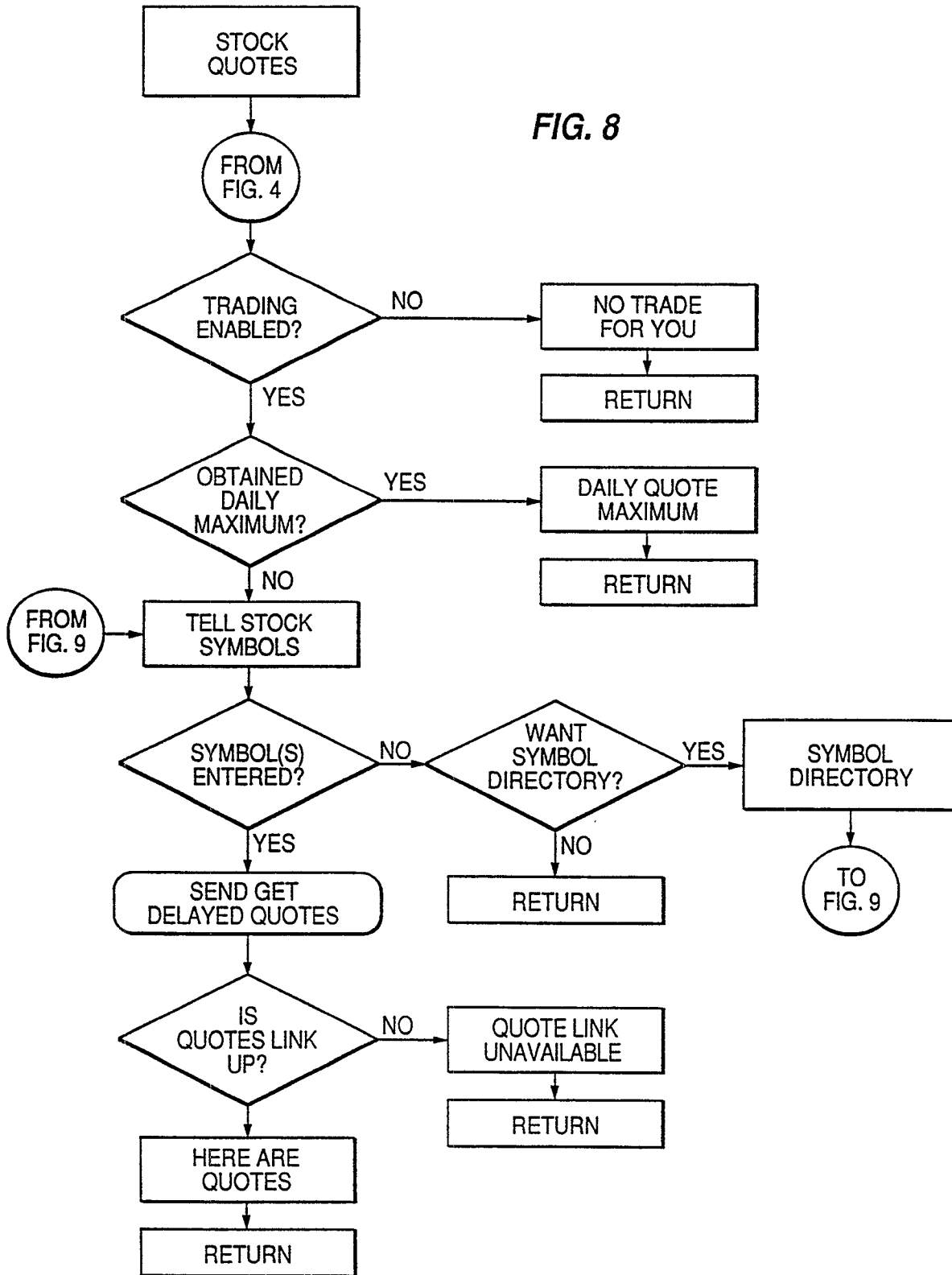


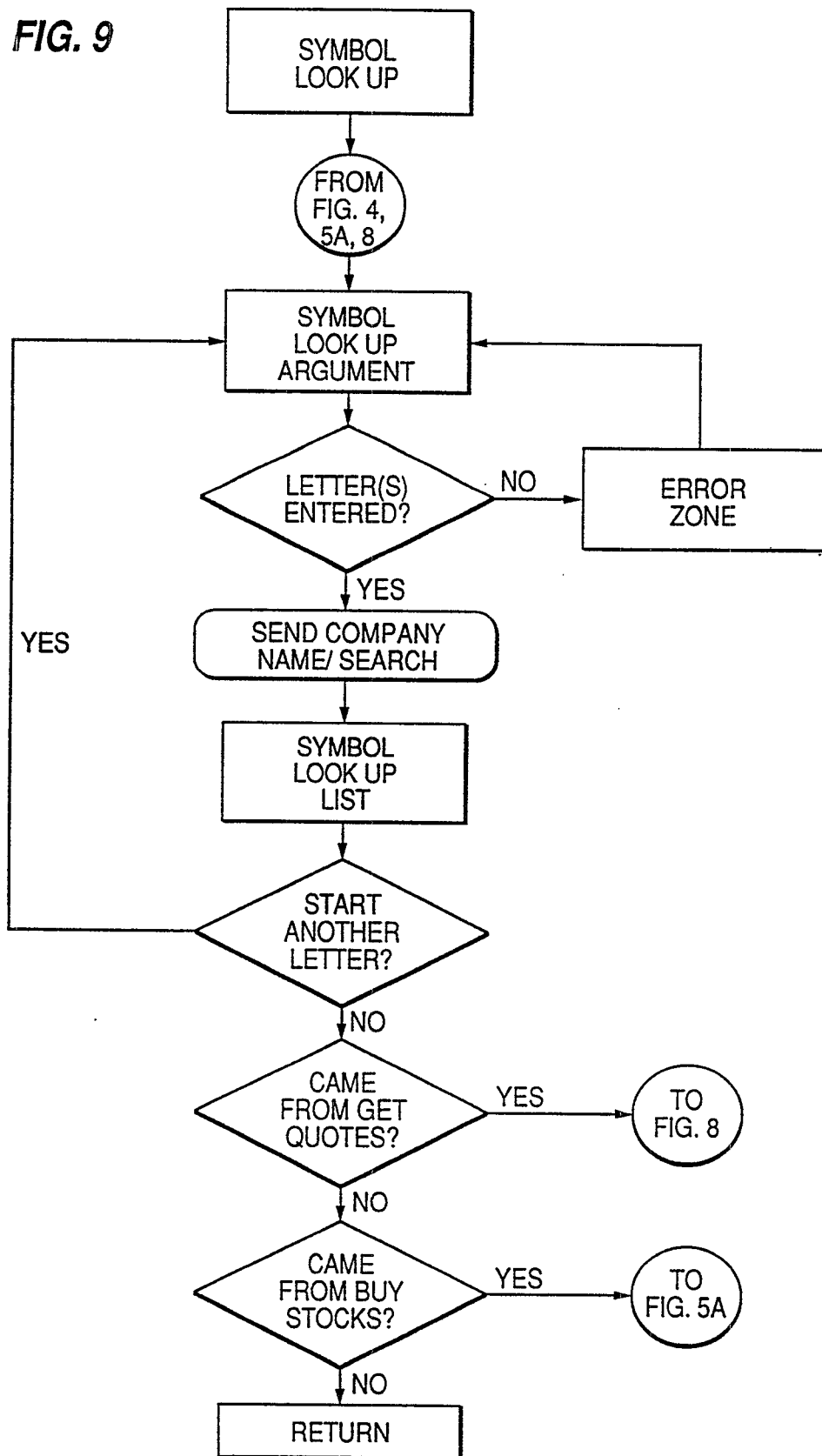
FIG. 8





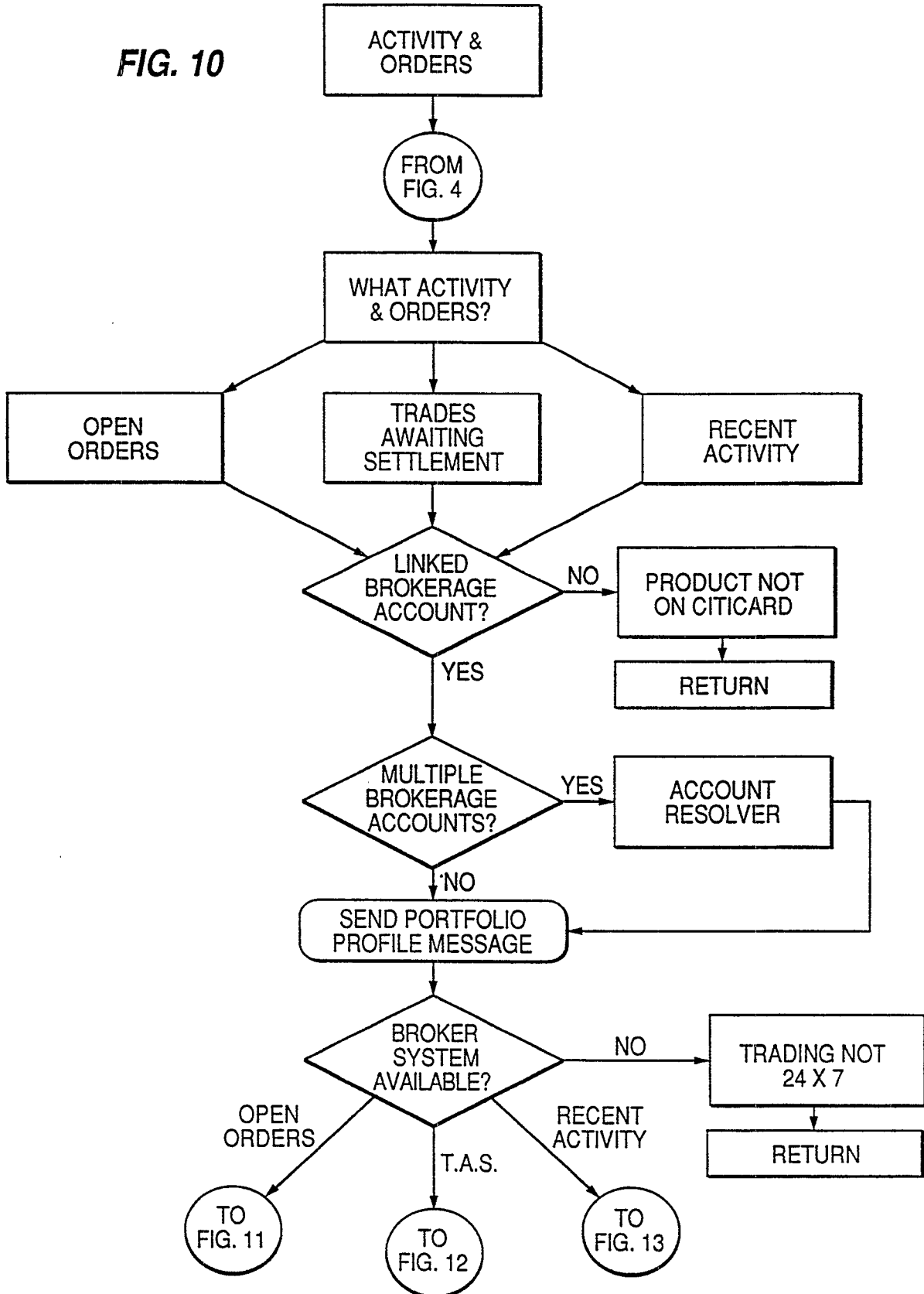
15/32

FIG. 9



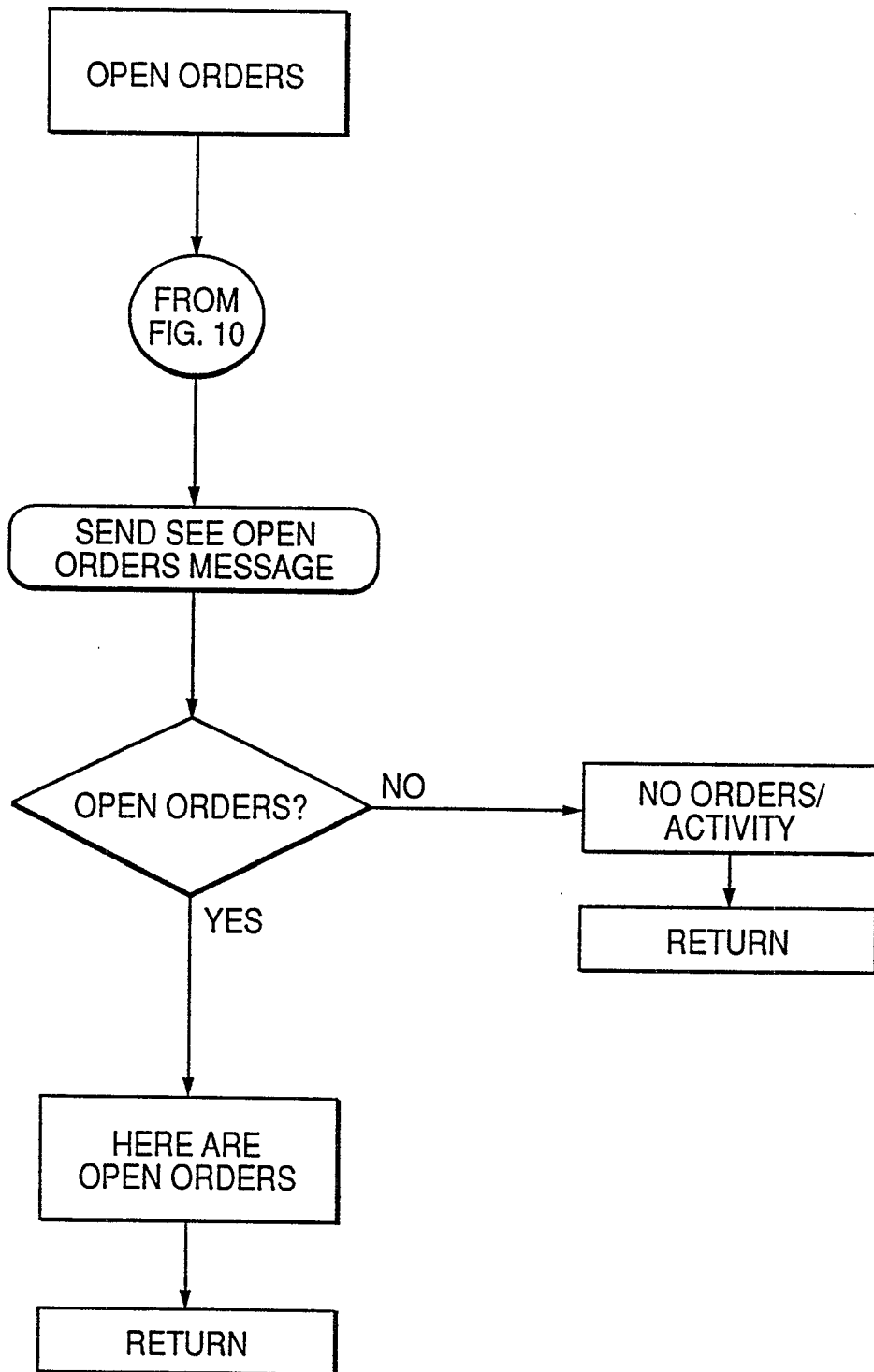
16/32

FIG. 10



17/32

FIG. 11



18/32

FIG. 12

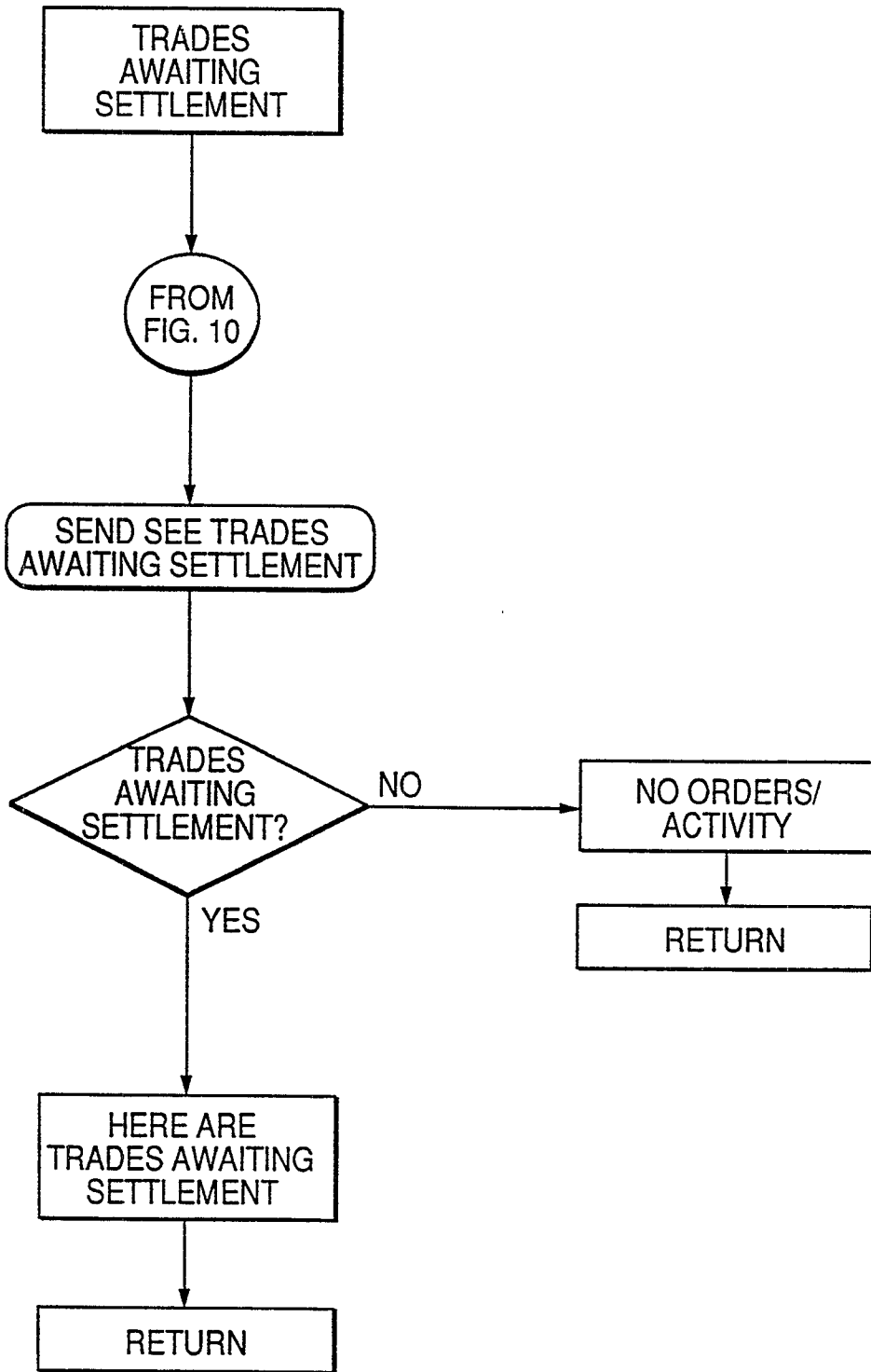
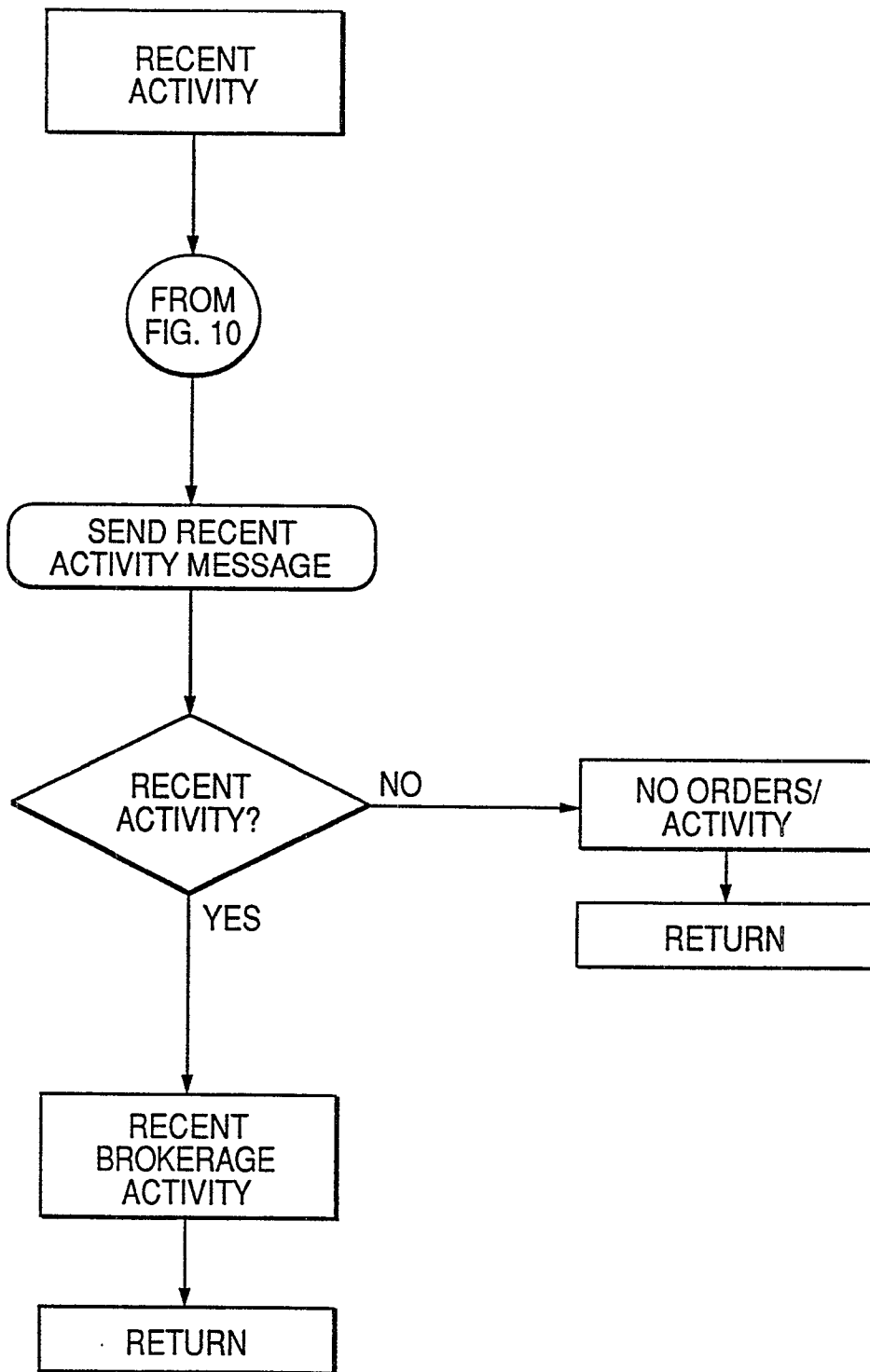


FIG. 13



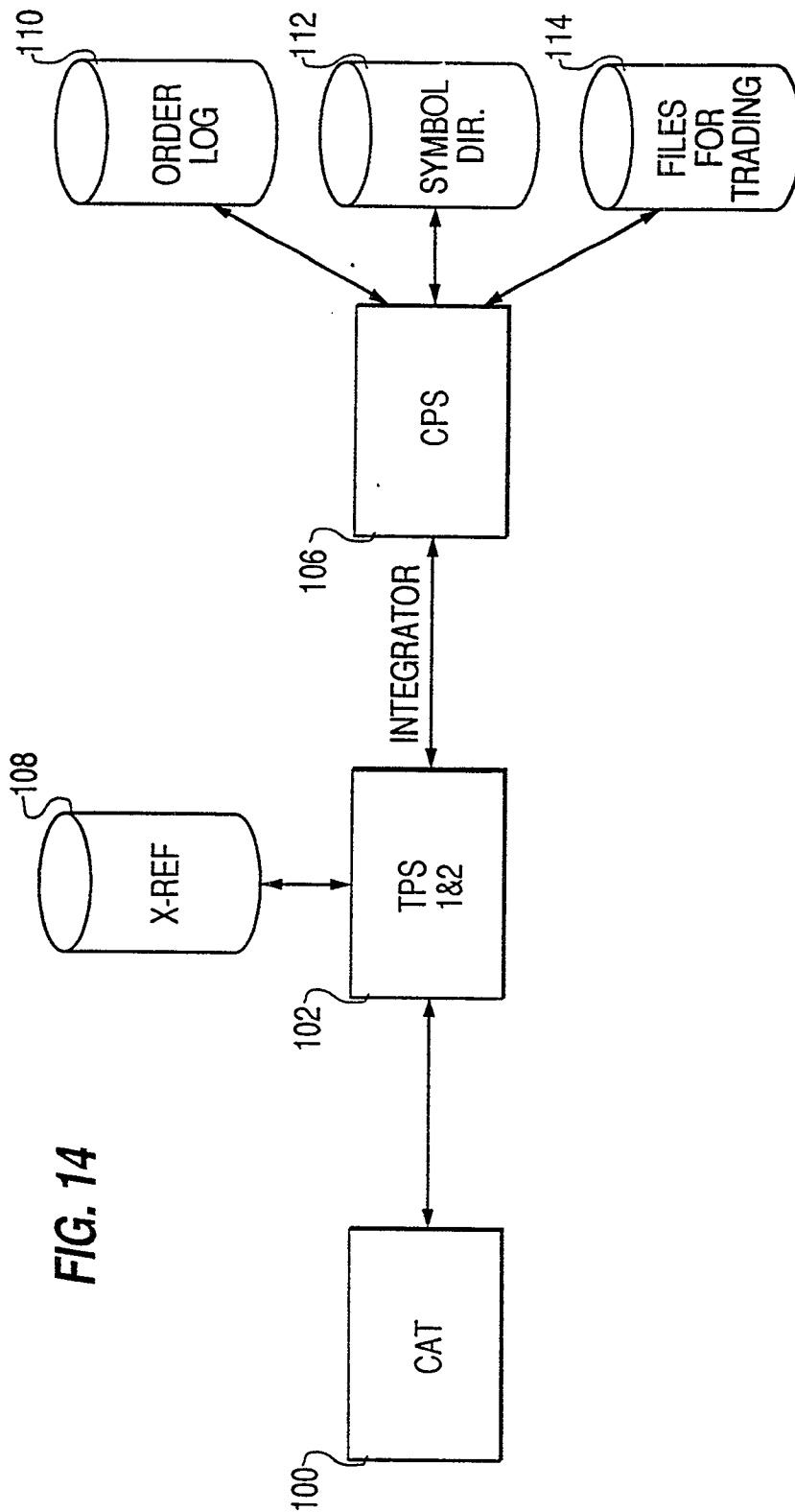


FIG. 14

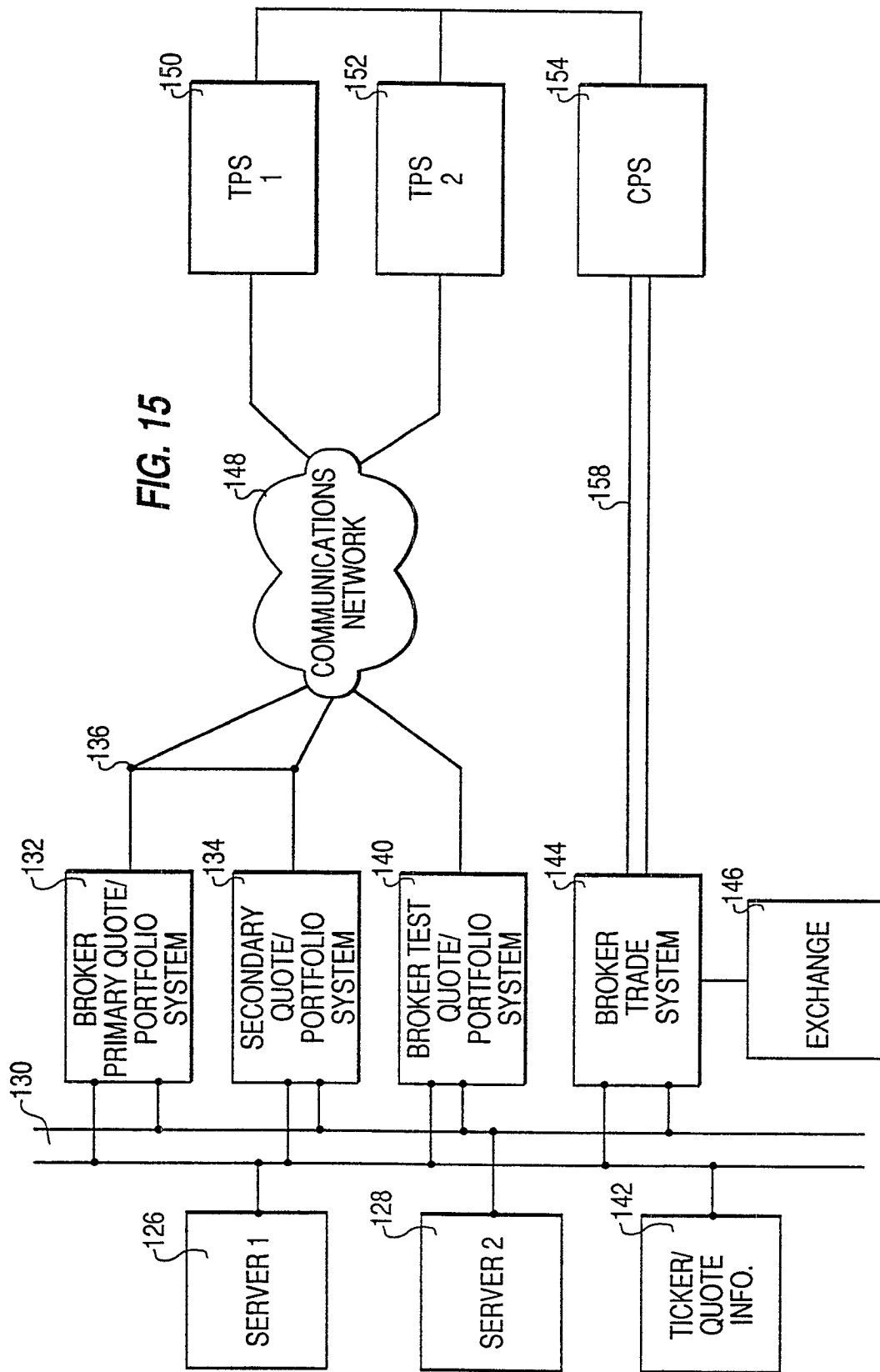


FIG. 15

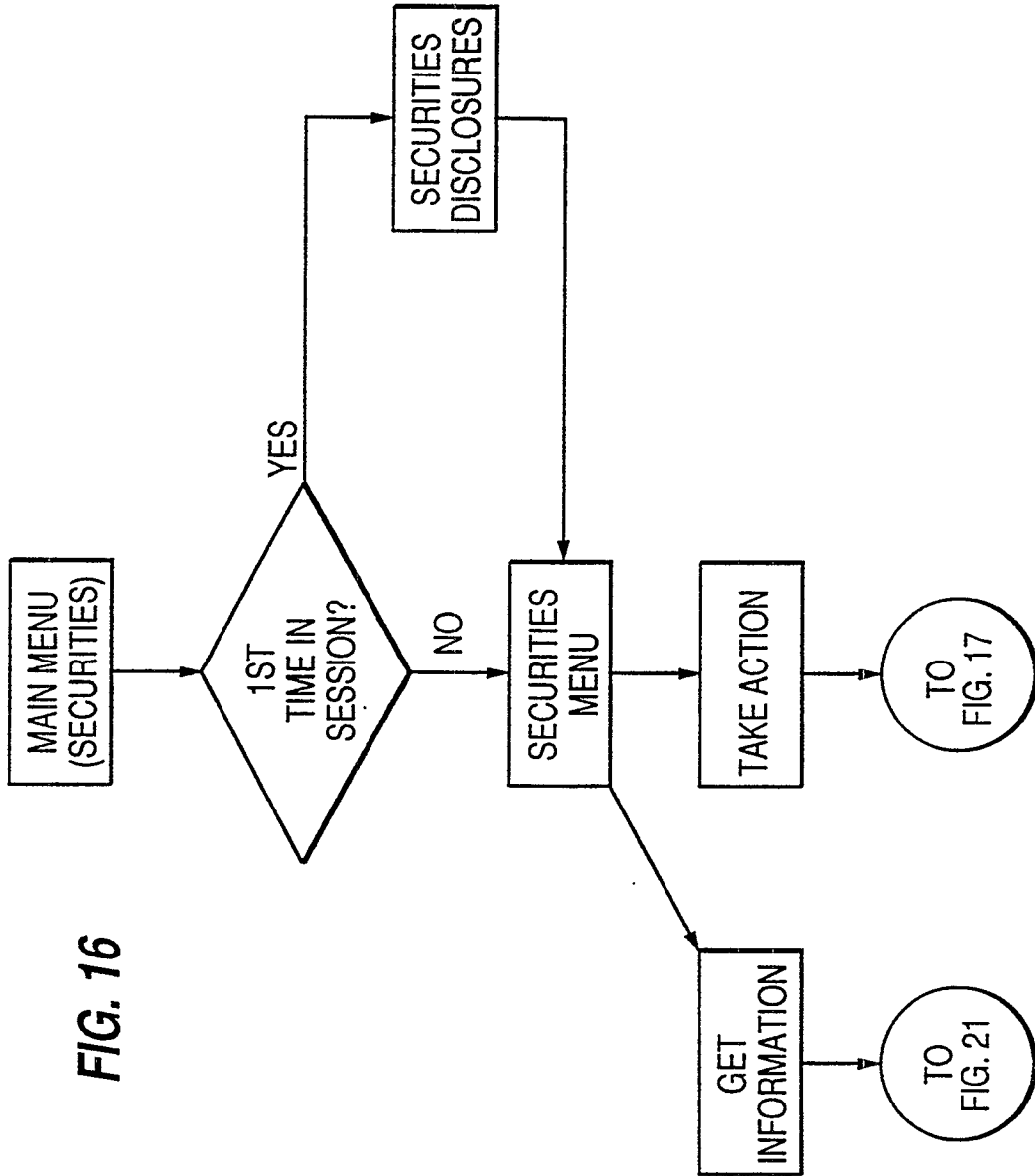


FIG. 16



FIG. 17

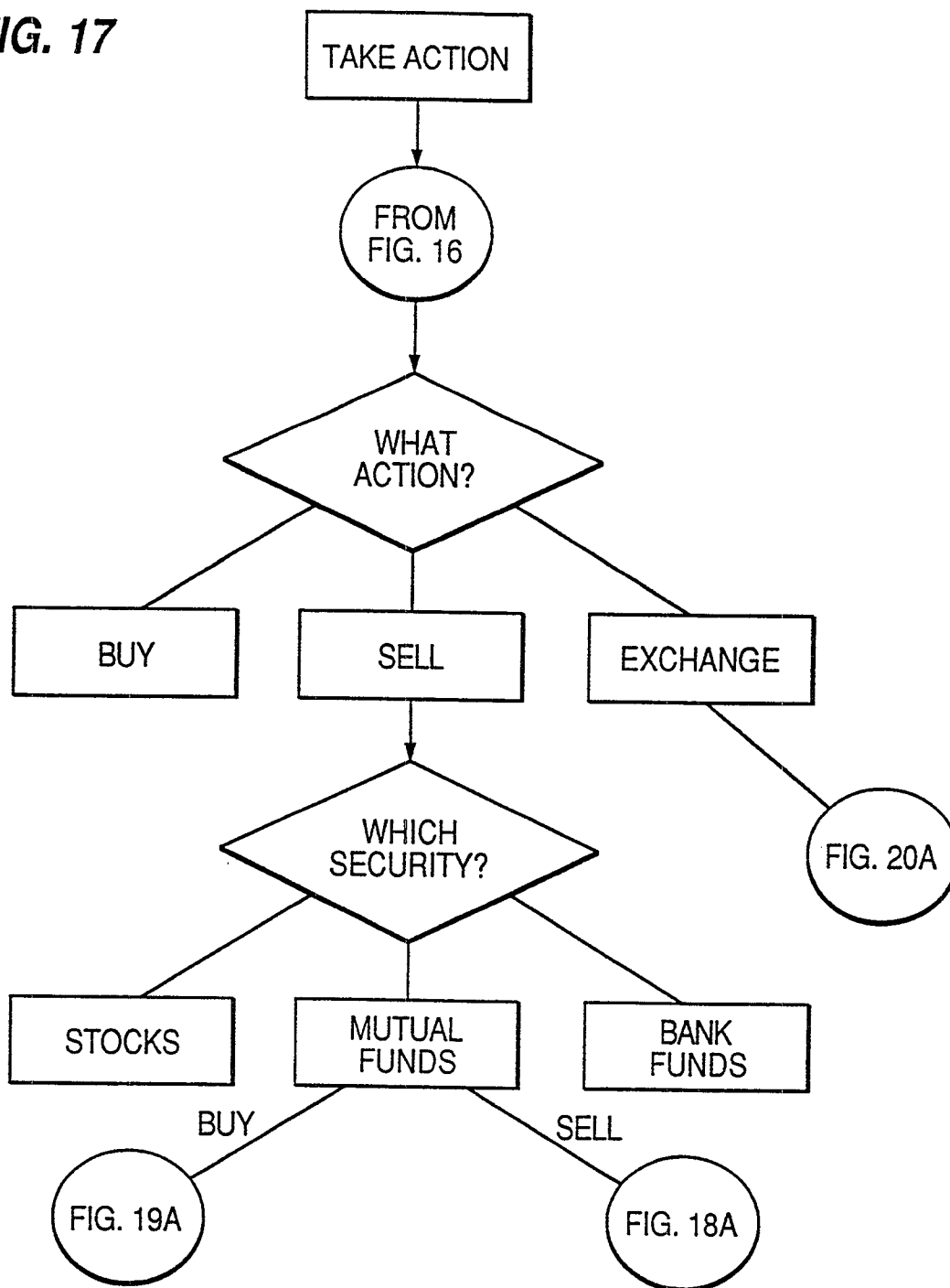
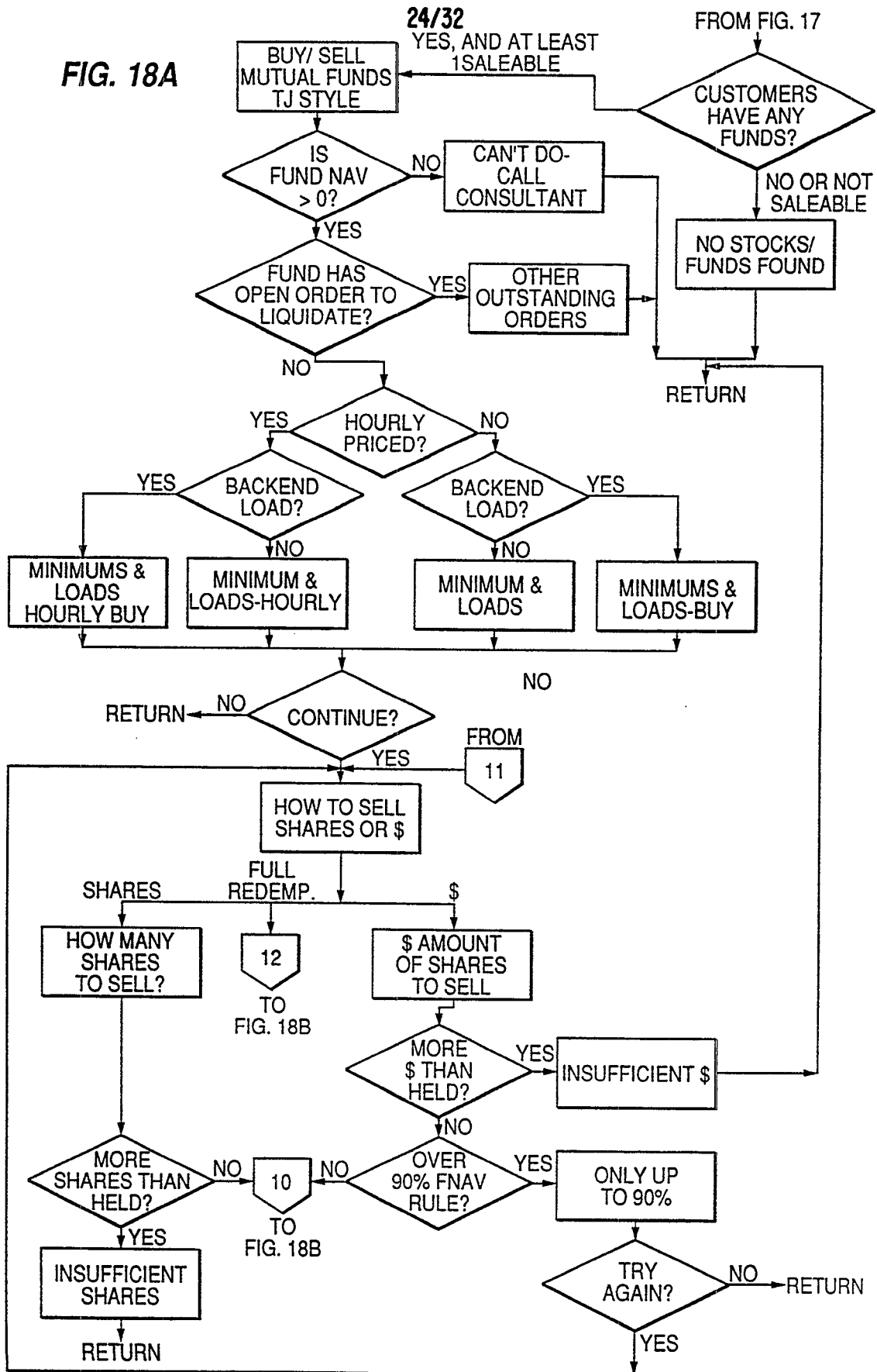


FIG. 18A



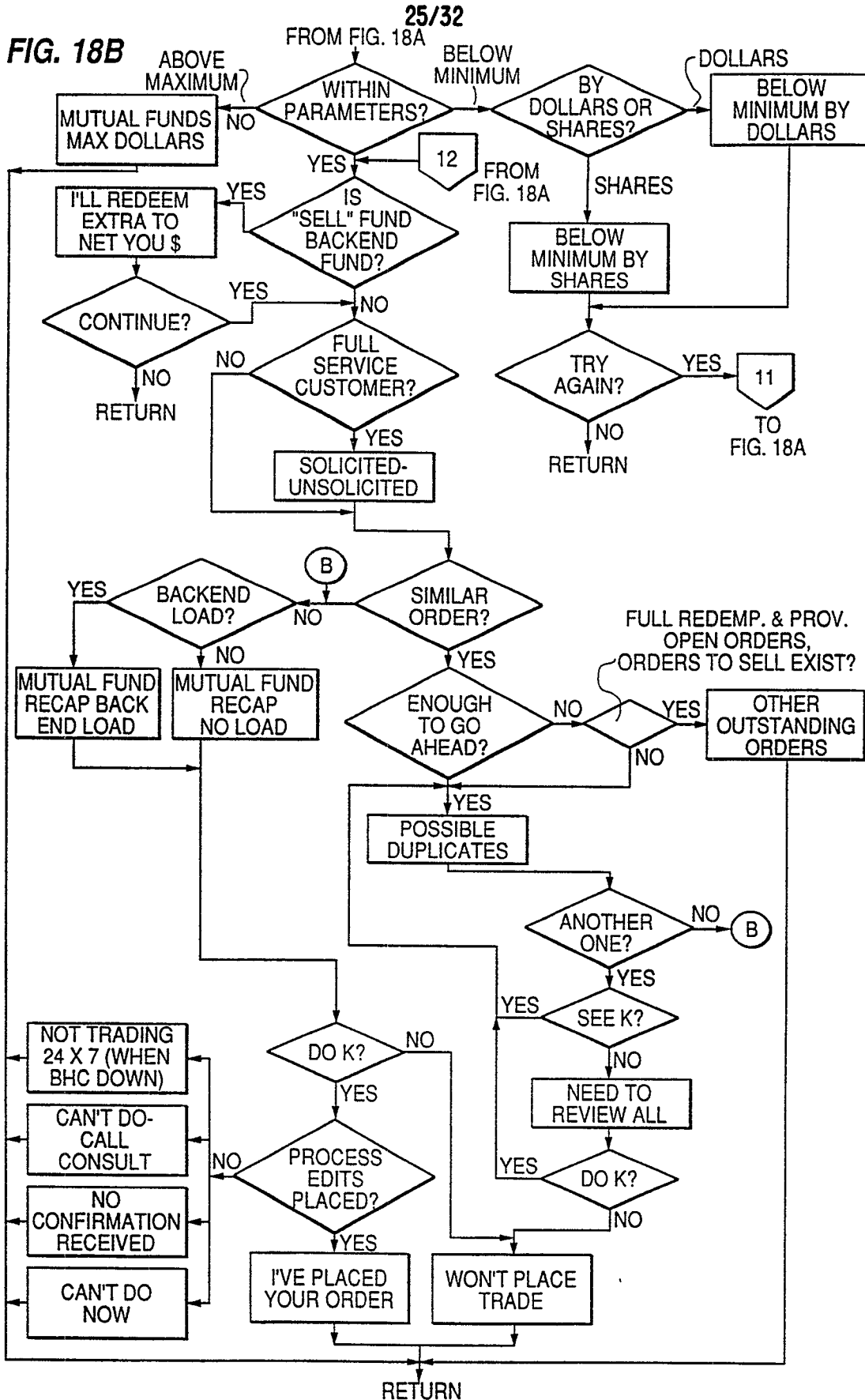
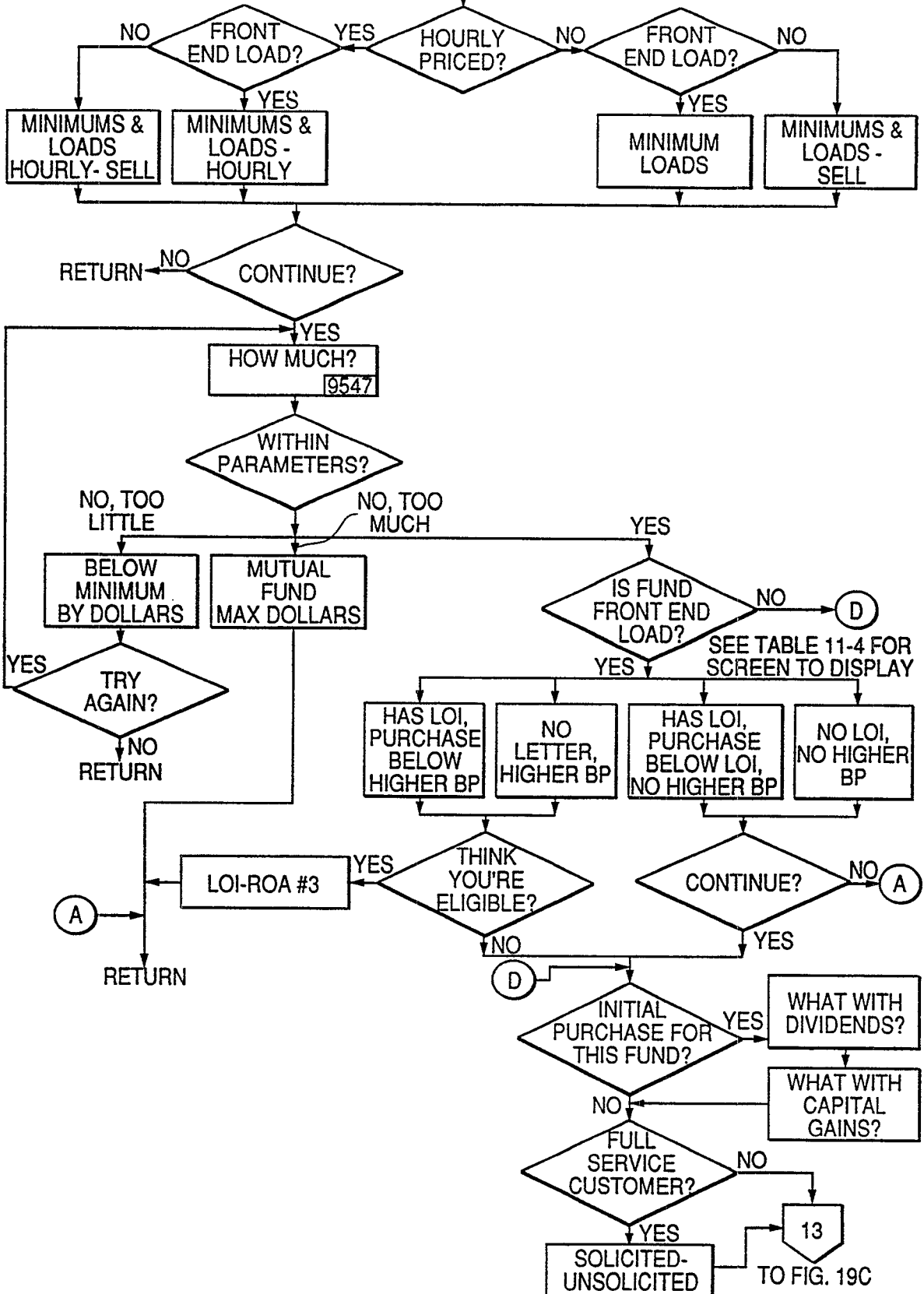
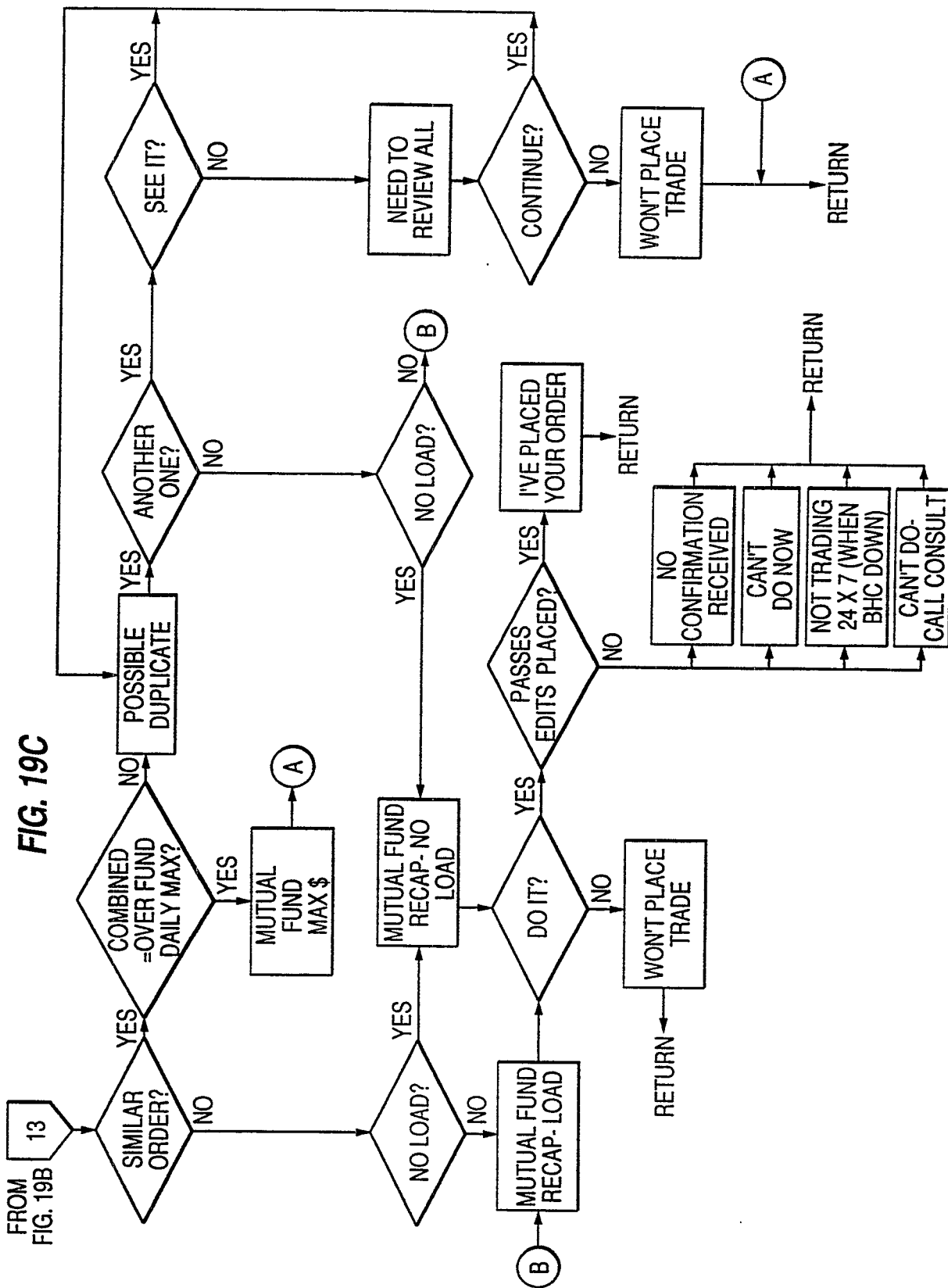




FIG. 19B

27/32 5 FROM FIG. 19A





FROM FIG. 19B

13

29/32

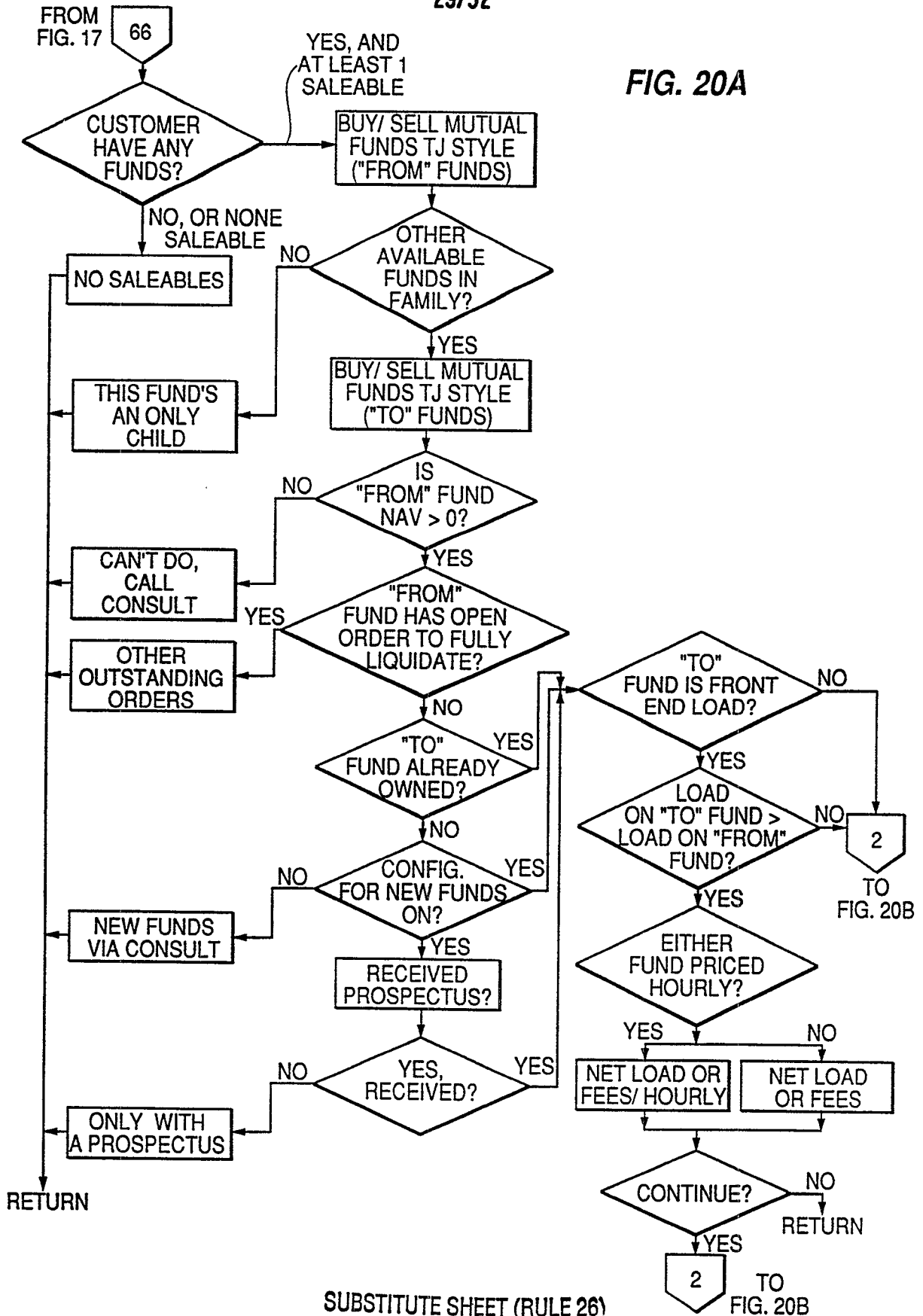


FIG. 20B

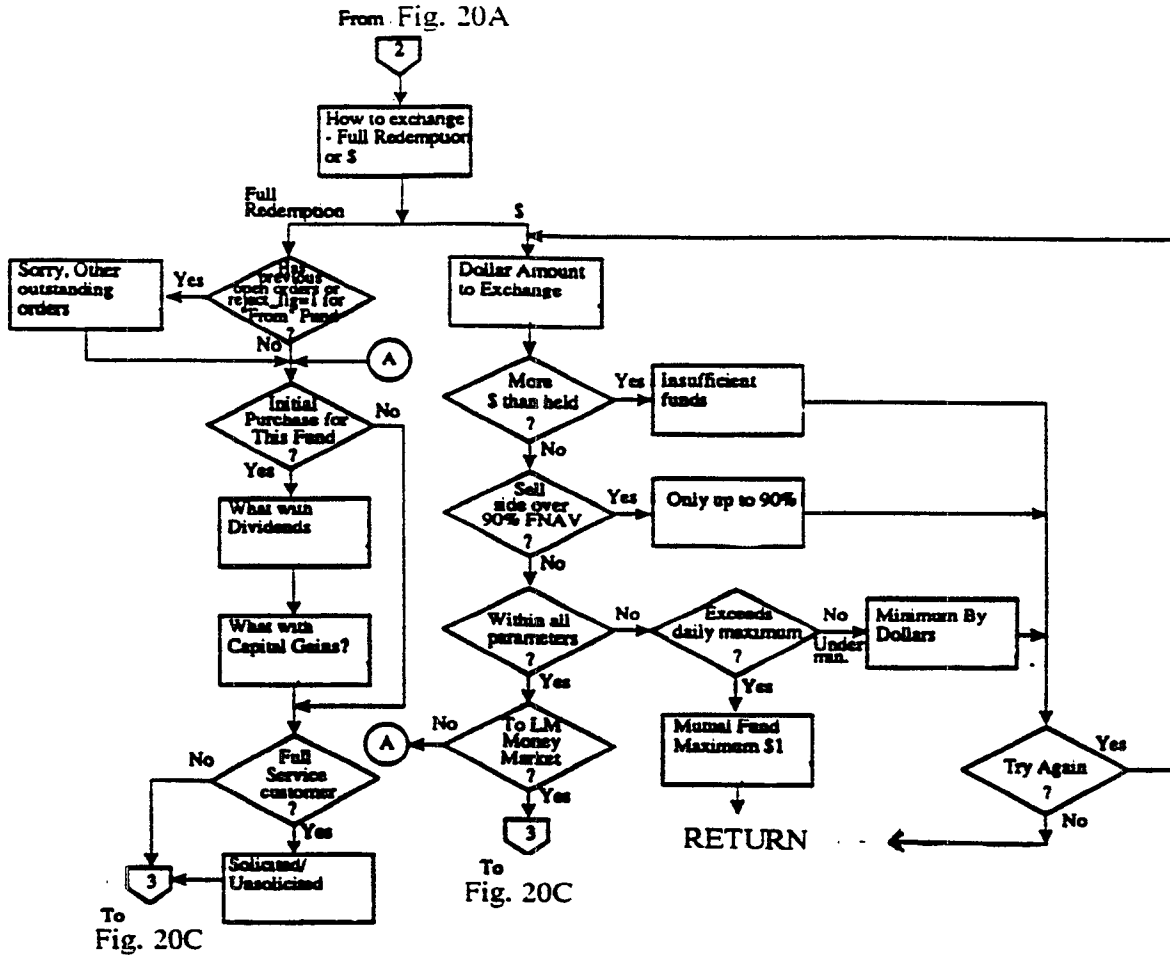




FIG. 20C

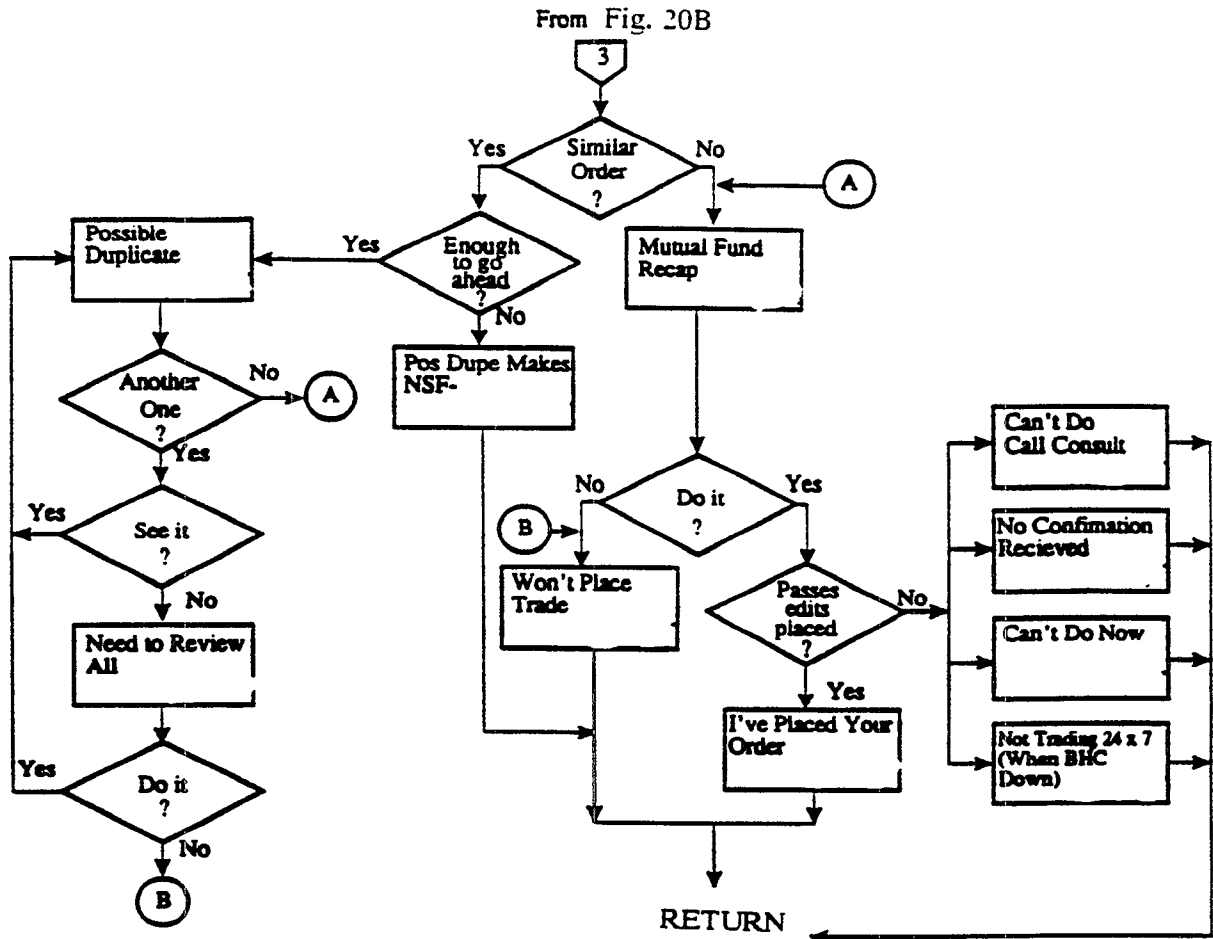


FIG. 21

