



US0D1027085S

(12) **United States Design Patent**  
**Cianci**

(10) **Patent No.:** **US D1,027,085 S**

(45) **Date of Patent:** **\*\* May 14, 2024**

(54) **APPARATUS FOR CHANGING BARBELL WEIGHTS**

D944,906 S \* 3/2022 Che ..... D21/694  
D966,064 S \* 10/2022 Heinemark ..... D8/47  
D996,025 S \* 8/2023 Haire ..... D2/961  
D1,004,016 S \* 11/2023 Howard ..... D21/694

(Continued)

(71) Applicant: **David J. Cianci**, Brookline, NH (US)

(72) Inventor: **David J. Cianci**, Brookline, NH (US)

(\*\*) Term: **15 Years**

FOREIGN PATENT DOCUMENTS

GB 9007691548-0001 \* 2/2020

(21) Appl. No.: **29/851,238**

OTHER PUBLICATIONS

(22) Filed: **Aug. 26, 2022**

Vapor Fitness, Widest Deadlift Wedge, published on Jun. 7, 2018 [online]. Retrieved from internet (Date: Nov. 20, 2023), <https://www.amazon.com/Vapor-Fitness-Deadlift-Alternative-Offloading/dp/B07DLJHWK3/?th=1> (Year: 2018).\*

(Continued)

(51) **LOC (14) Cl.** ..... **21-02**

(52) **U.S. Cl.**  
USPC ..... **D21/694**; D21/662; D21/680; D21/681;  
D21/686

(58) **Field of Classification Search**

USPC .... D8/72, 73, 349, 396; D21/662, 675,  
D21/680, 681, 686, 694  
CPC ..... A63B 21/0724; A63B 21/0728; A63B  
21/072; A63B 21/0557; A63B 21/16;  
A63B 21/0722; A63B 21/0726; A63B  
21/075; A63B 21/0783; F16B 7/1418;  
Y10T 292/202; Y10T 292/20; Y10T  
292/225; Y10T 292/228

See application file for complete search history.

*Primary Examiner* — Katherine A Holbrow

*Assistant Examiner* — Riya Salil Kamat

(74) *Attorney, Agent, or Firm* — BainwoodHuang

(57) **CLAIM**

The ornamental design of an apparatus for changing barbell weights, as shown and described.

**DESCRIPTION**

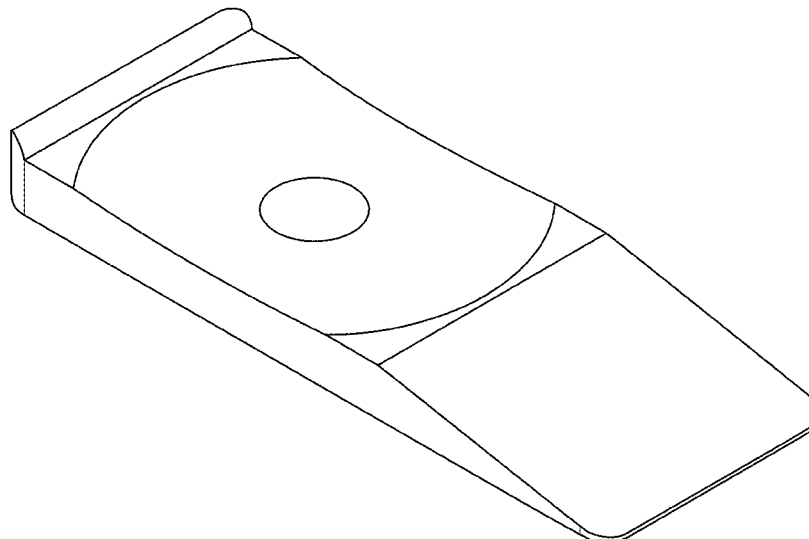
FIG. 1 is a top, front, left perspective view of an apparatus for changing barbell weights, showing my new design; FIG. 2 is a top view thereof; FIG. 3 is a front view thereof; FIG. 4 is a rear view thereof; FIG. 5 is a left side view thereof; FIG. 6 is a right side view thereof; FIG. 7 is a bottom view thereof; FIG. 8 is a bottom, front, left perspective view thereof; FIG. 9 is a top, front, right perspective view thereof; FIG. 10 is a bottom, front, right perspective view thereof; FIG. 11 is a top, rear, right perspective view thereof; and, FIG. 12 is a bottom, rear, right perspective view thereof.

**1 Claim, 10 Drawing Sheets**

(56) **References Cited**

U.S. PATENT DOCUMENTS

D286,008 S \* 10/1986 Hillinger ..... D8/47  
D406,028 S \* 2/1999 Montgomery ..... A01G 23/099  
D8/402  
D421,374 S \* 3/2000 Montgomery ..... A01G 23/099  
D8/47  
D590,676 S \* 4/2009 Pickard ..... B66F 9/12  
D8/47  
7,637,852 B2 12/2009 Hoole  
D630,935 S \* 1/2011 Jarvis ..... D8/381  
D715,613 S \* 10/2014 Pugh ..... D8/47  
D720,588 S \* 1/2015 Pugh ..... D8/47  
D880,901 S \* 4/2020 Raad ..... D6/601  
D932,884 S \* 10/2021 Gill ..... D8/402



(56)

**References Cited**

U.S. PATENT DOCUMENTS

2008/0248930 A1\* 10/2008 Hoole ..... A63B 21/0728  
482/104  
2008/0248931 A1\* 10/2008 Hoole ..... A63B 21/0728  
482/104  
2012/0135376 A1\* 5/2012 Cheung ..... A61L 27/56  
433/136  
2021/0228966 A1\* 7/2021 Kleva ..... A63B 71/0036

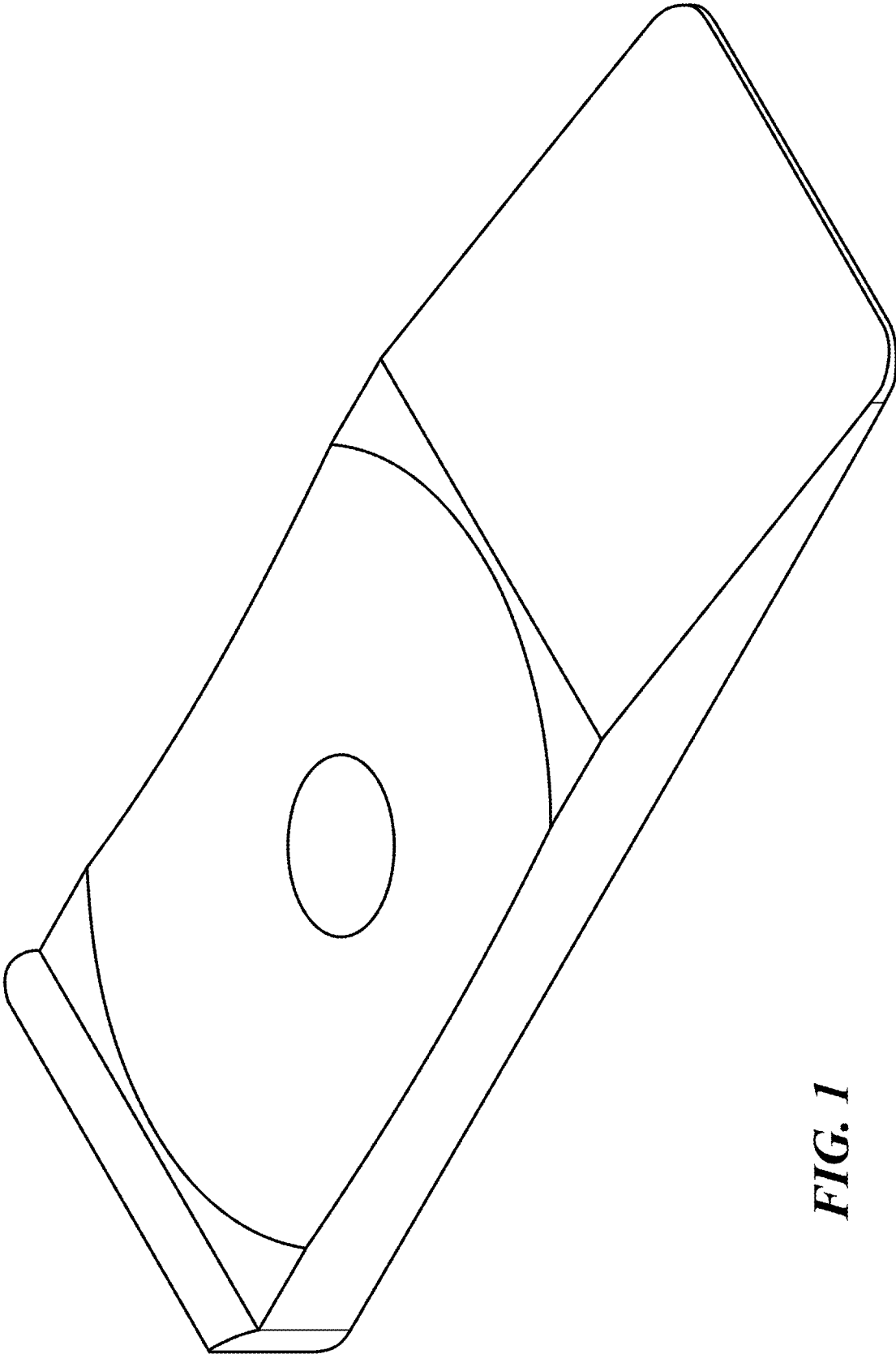
OTHER PUBLICATIONS

HarderWill, Deadlift Jack Alternative, published on Jun. 1, 2020 [online]. Retrieved from internet (Date: Nov. 20, 2023), <https://www.amazon.com/Harderwill-Deadlift-Alternative-Powerlifting-Weightlifting/dp/B089F43QZH/?th=1> (Year: 2020).\*

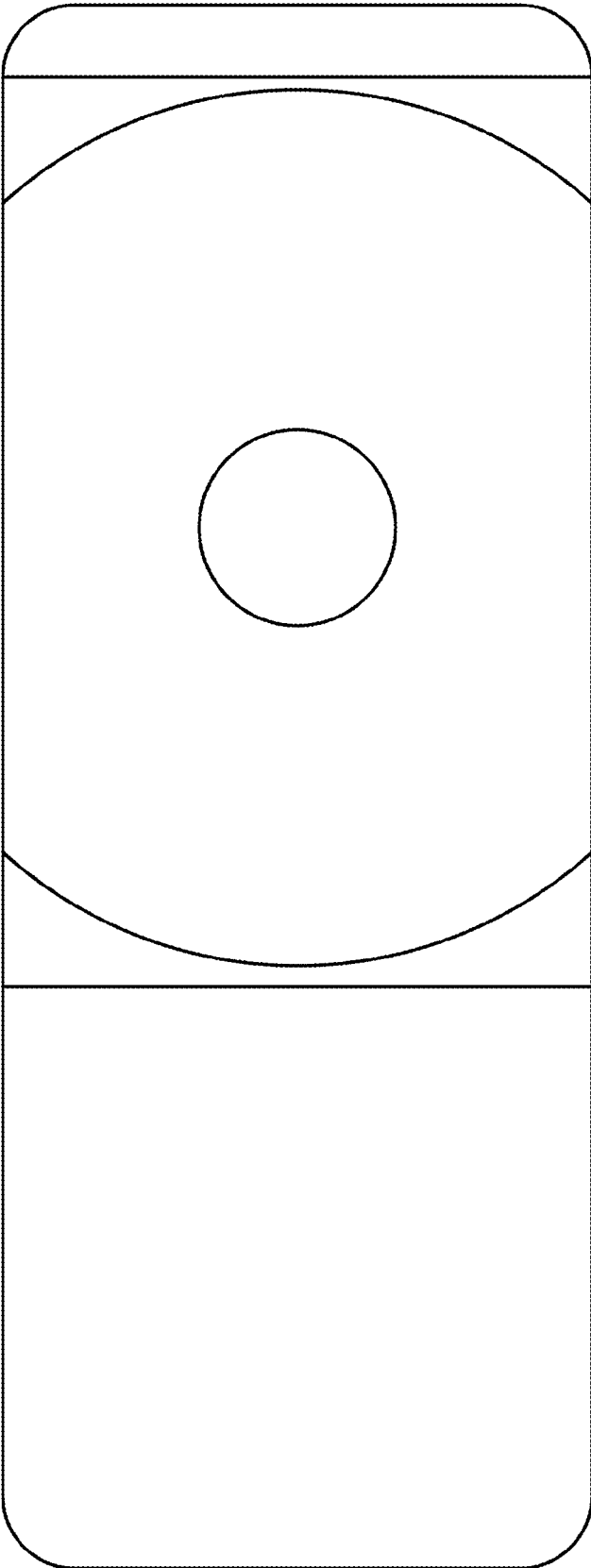
Ymam.Light, Deadlift Barbell Jack Wedge, published on Apr. 18, 2021 [online]. Retrieved from internet (Date: Nov. 20, 2023), <https://www.amazon.com/Deadlift-Barbell-Alternative-Weightlifting-Training/dp/B08T95RL6V/?th=1> (Year: 2021).\*

<https://www.roguefitness.com/the-dead-wedge>, retrieved from the internet Feb. 3, 2023.

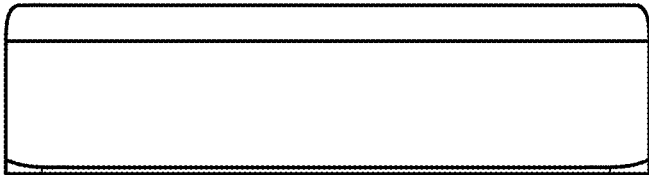
\* cited by examiner



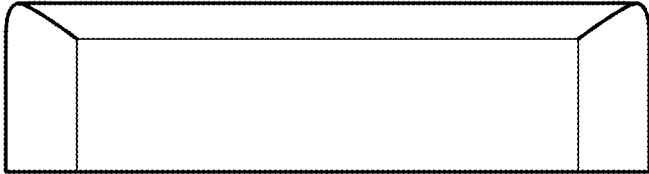
**FIG. 1**



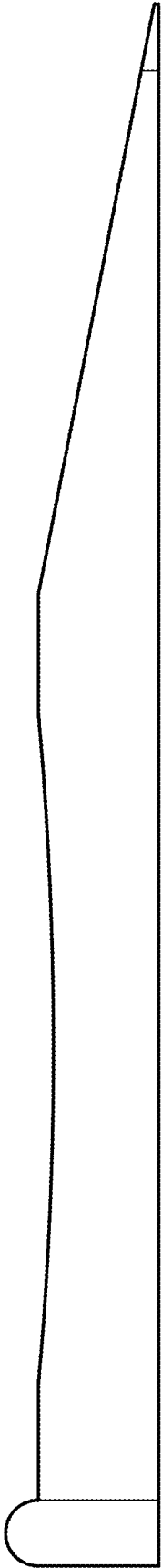
*FIG. 2*



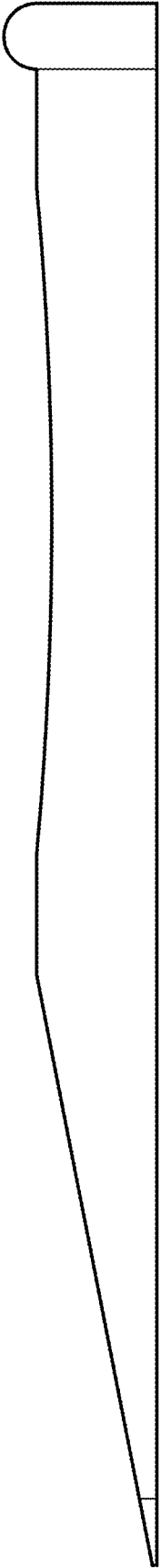
***FIG. 3***



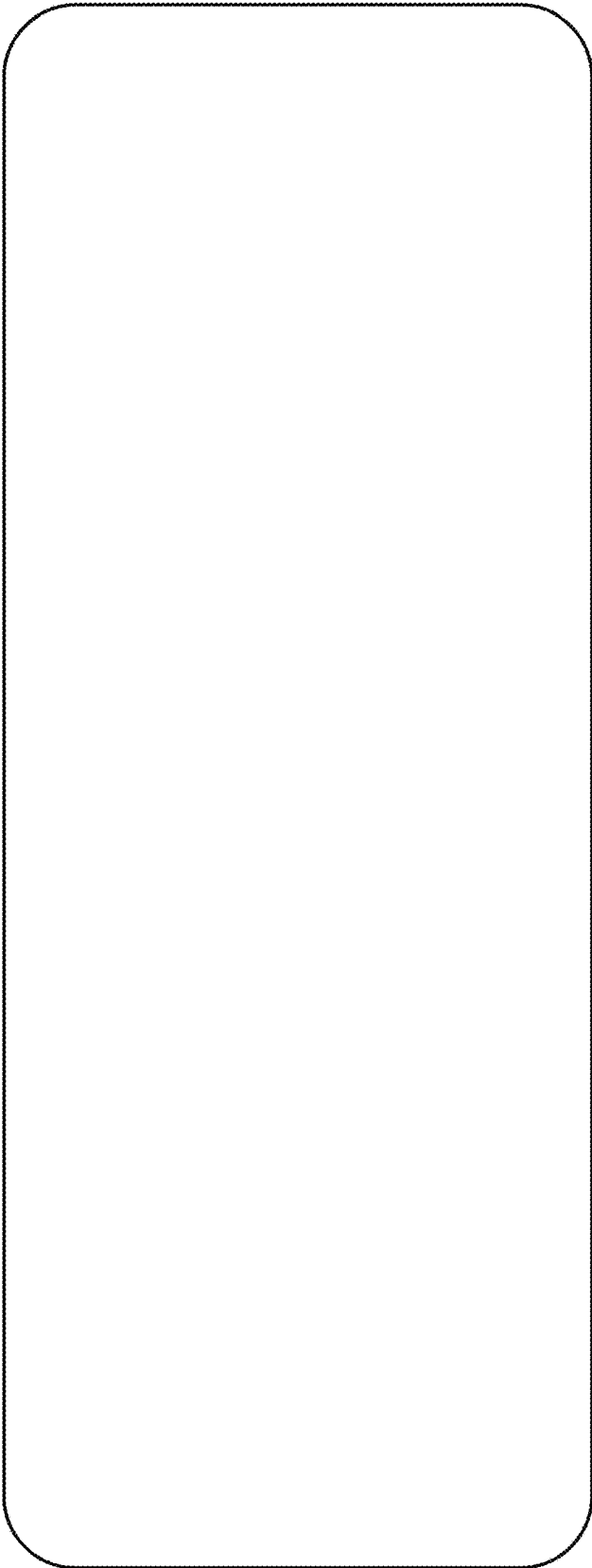
***FIG. 4***



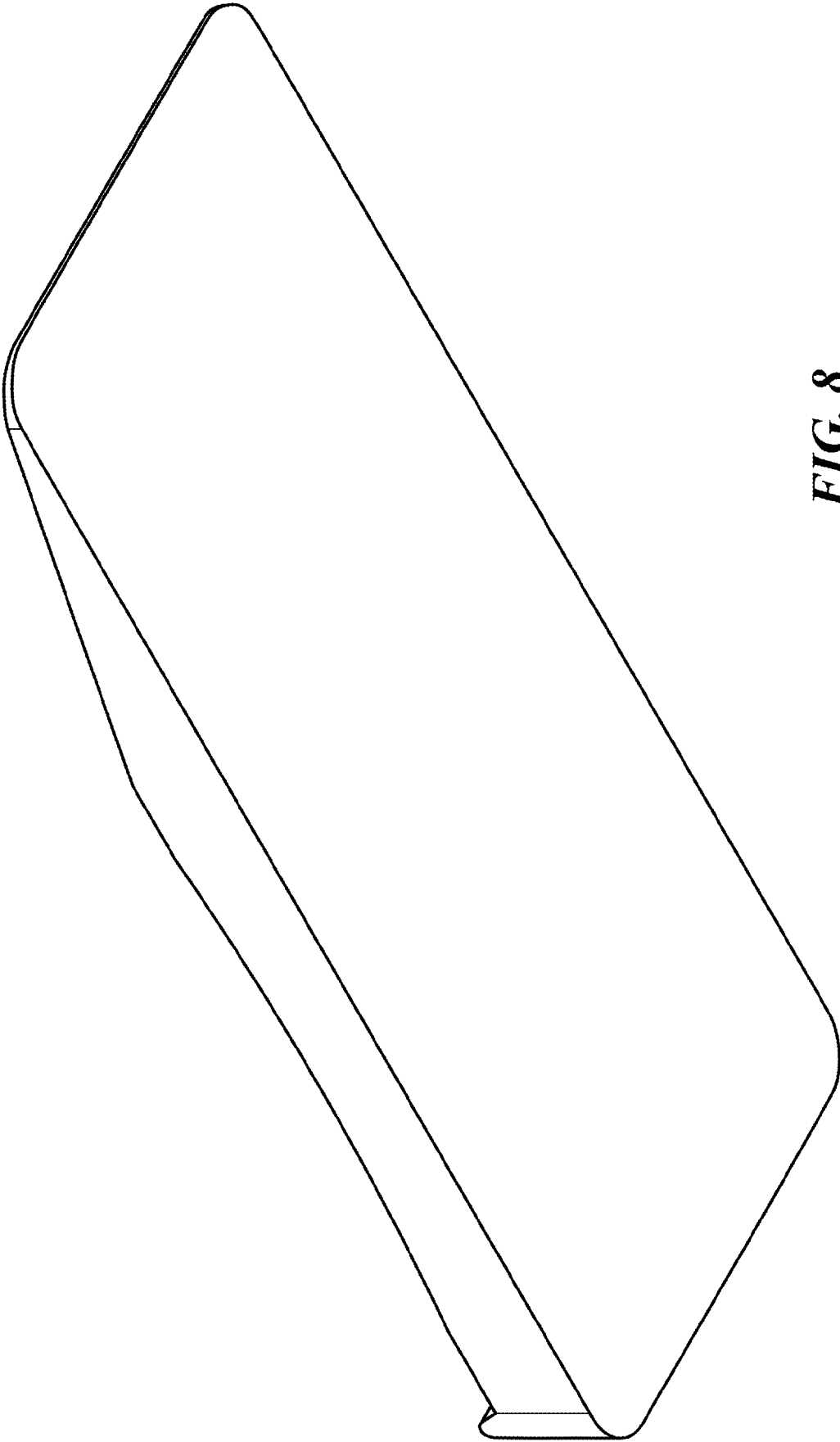
*FIG. 5*



*FIG. 6*

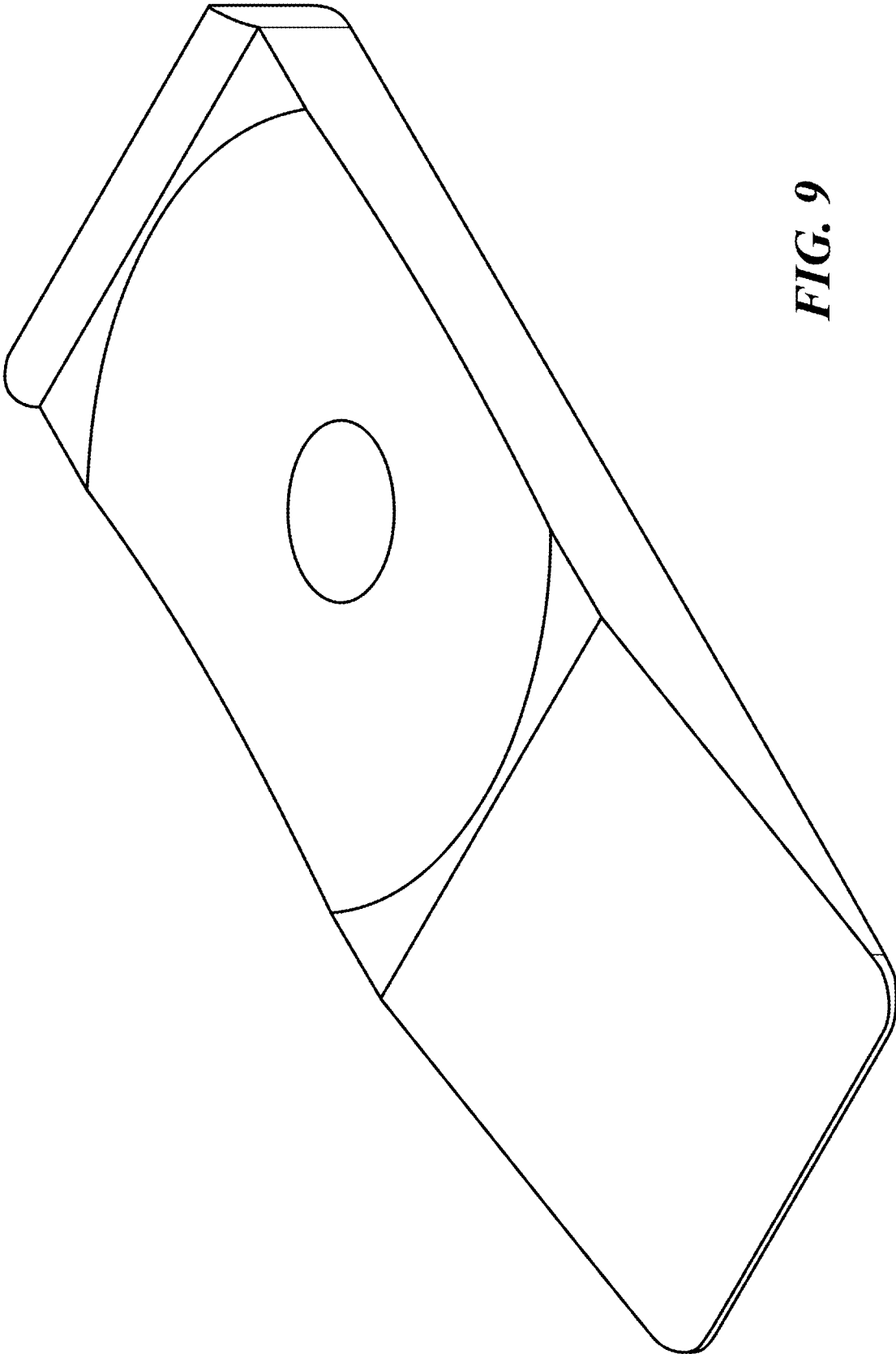


***FIG. 7***

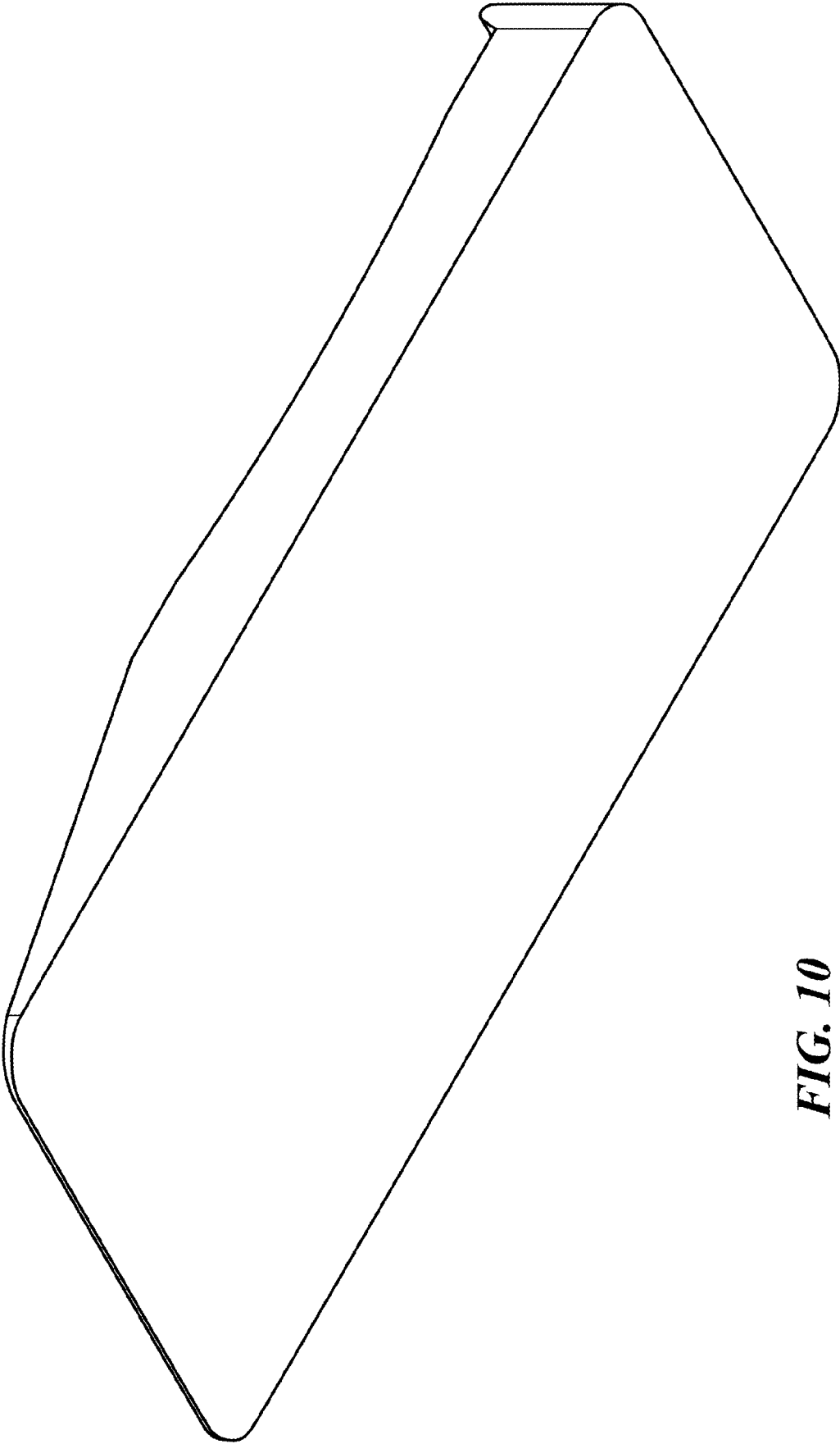


**FIG. 8**

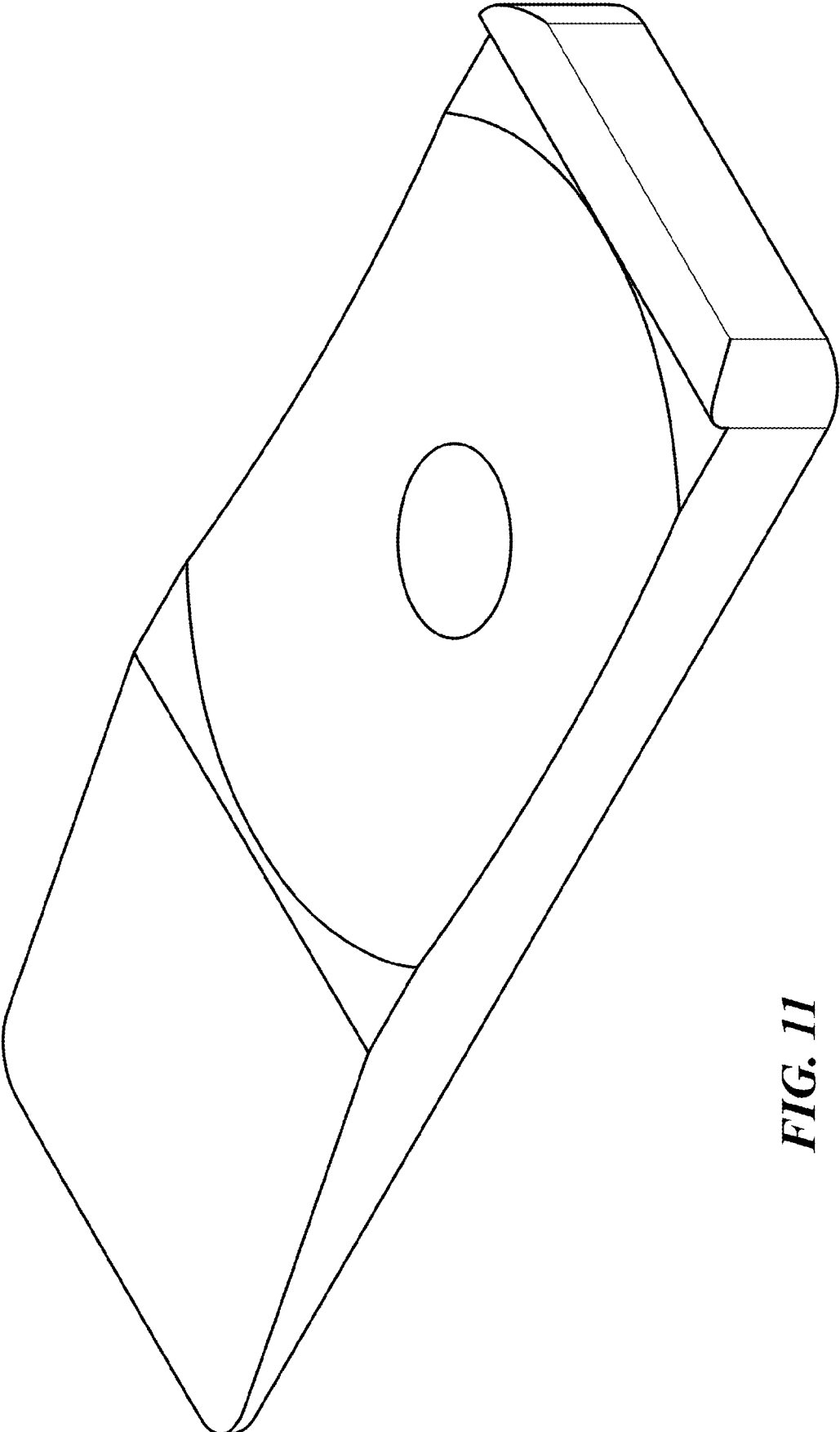




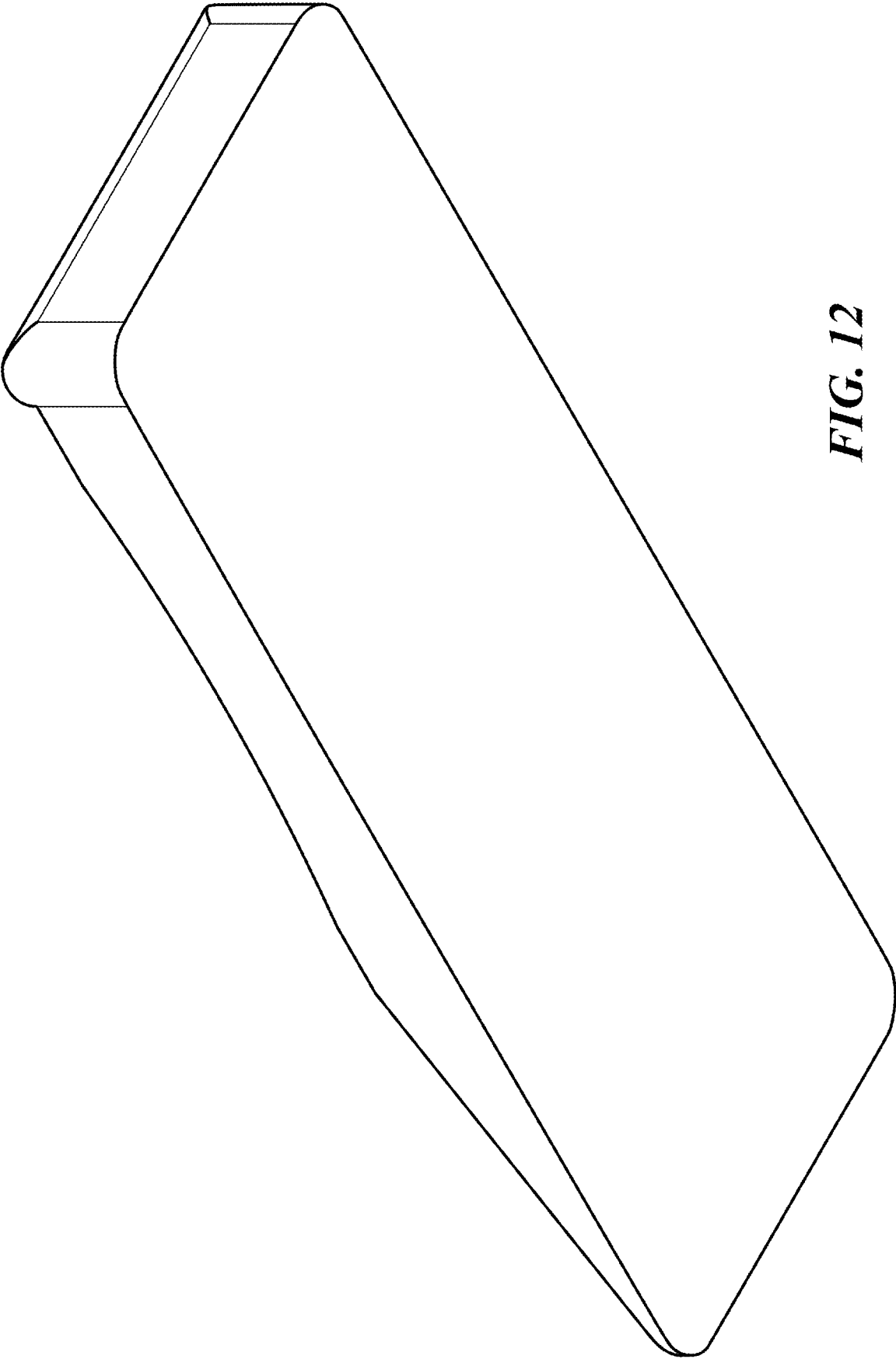
**FIG. 9**



**FIG. 10**



**FIG. 11**



*FIG. 12*