

(19) World Intellectual Property
Organization
International Bureau



(43) International Publication Date
27 January 2005 (27.01.2005)

PCT

(10) International Publication Number
WO 2005/007519 A3

(51) International Patent Classification⁷: F25D 3/08

(21) International Application Number:
PCT/US2004/022199

(22) International Filing Date: 7 July 2004 (07.07.2004)

(25) Filing Language: English

(26) Publication Language: English

(30) Priority Data:
60/485,484 7 July 2003 (07.07.2003) US

(71) Applicant and

(72) Inventor: DERIFIELD, Rodney, M. [US/US]; 519 Aca-
cia Avenue, Corona Del Mar, CA 93035 (US).

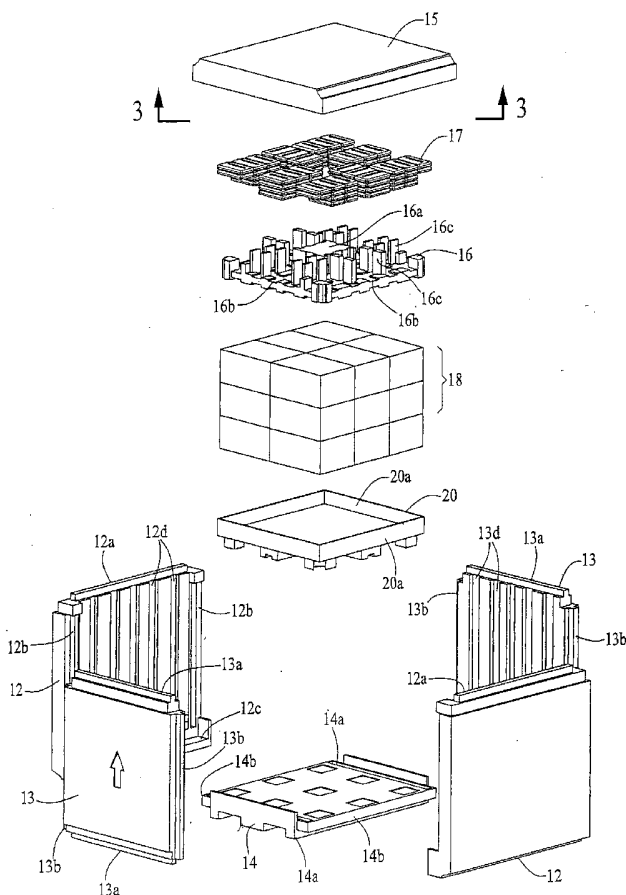
(74) Agents: GERIAK, James, W. et al.; Orrick Herrington &
Sutcliffe LLP, 4 Park Plaza, Suite 1600, Irvine, CA 92614-
2558 (US).

(81) Designated States (unless otherwise indicated, for every
kind of national protection available): AE, AG, AL, AM,
AT, AU, AZ, BA, BB, BG, BR, BW, BY, BZ, CA, CH, CN,
CO, CR, CU, CZ, DE, DK, DM, DZ, EC, EE, EG, ES, FI,
GB, GD, GE, GH, GM, HR, HU, ID, IL, IN, IS, JP, KE,
KG, KP, KR, KZ, LC, LK, LR, LS, LT, LU, LV, MA, MD,
MG, MK, MN, MW, MX, MZ, NA, NI, NO, NZ, OM, PG,
PH, PL, PT, RO, RU, SC, SD, SE, SG, SK, SL, SY, TJ, TM,
TN, TR, TT, TZ, UA, UG, US, UZ, VC, VN, YU, ZA, ZM,
ZW.

(84) Designated States (unless otherwise indicated, for every
kind of regional protection available): ARIPO (BW, GH,
GM, KE, LS, MW, MZ, NA, SD, SL, SZ, TZ, UG, ZM,
ZW), Eurasian (AM, AZ, BY, KG, KZ, MD, RU, TJ, TM),
European (AT, BE, BG, CH, CY, CZ, DE, DK, EE, ES, FI,
FR, GB, GR, HU, IE, IT, LU, MC, NL, PL, PT, RO, SE, SI,
SK, TR), OAPI (BF, BJ, CF, CG, CI, CM, GA, GN, GQ,
GW, ML, MR, NE, SN, TD, TG).

[Continued on next page]

(54) Title: INSULATED SHIPPING CONTAINERS



(57) Abstract: Shipping containers, and more particularly insulated shipping containers, for holding temperature sensitive products and coolant in a pre-determined relationship to maintain a refrigerated or frozen condition for an extended period of time. Containers of this type can be molded from rigid polyurethane foam or other materials for shipping or transporting products such as biological and similar products which need to be maintained at 2° to 8° Centigrade or frozen. Specific constructions are shown and described.

WO 2005/007519 A3



Published:

- *with international search report*
- *before the expiration of the time limit for amending the claims and to be republished in the event of receipt of amendments*

For two-letter codes and other abbreviations, refer to the "Guidance Notes on Codes and Abbreviations" appearing at the beginning of each regular issue of the PCT Gazette.

(88) Date of publication of the international search report:

9 June 2005

INTERNATIONAL SEARCH REPORT

International application No.

PCT/US04/22199

A. CLASSIFICATION OF SUBJECT MATTER

IPC(7) : F25D 3/08
 US CL : 62/371, 440, 457.1-9

According to International Patent Classification (IPC) or to both national classification and IPC

B. FIELDS SEARCHED

Minimum documentation searched (classification system followed by classification symbols)
 U.S. : 62/371, 440, 457.1-9

Documentation searched other than minimum documentation to the extent that such documents are included in the fields searched
 NONE

Electronic data base consulted during the international search (name of data base and, where practicable, search terms used)
 EAST

C. DOCUMENTS CONSIDERED TO BE RELEVANT

| Category * | Citation of document, with indication, where appropriate, of the relevant passages | Relevant to claim No. |
|------------|---|-------------------------------------|
| X | US 5,983,661 A (WIESMAN) 16 November 1999 (16.11.1999), See Figure 1. | 1 |
| X | US 6,381,981 B1 (YADDGO et al.) 07 May 2002 (07.05.2002), See Figure 2A. | 1, 2, 6, 8, 10 and 13 |
| --- | | ----- |
| Y | | 3, 7, 9, 11, 12, 14, 20, 26, 28, 29 |
| X | US 5,509,279 A (BROWN et al.) 23 April 1996 (23.04.1996), See Figure 3 and col. 4, lines 63-65. | 1, 4, 15 and 18 |
| --- | | ----- |
| Y | | 11, 16, 17, 19, 20, 21, 25, 30 |
| X | US 5,711,164 A (SLACK) 27 January 1998 (27.01.1998), See the entire document. | 1, 5, 22 and 24 |
| --- | | ----- |
| Y | | 12, 19, 23, 25, 26, 27, 31 |
| Y | US 5,924,302 A (DERIFIELD) 20 July 1999 (20.07.1999), See Figure 3. | 3, 7, 9, 14, 16, 17, 21, 23 and 27 |
| Y | DE 296 04 325 U1 (TLT TRANSPORT AND LAGERTECHNIK) 20 June 1996 (20.06.1996), See the entire document. | 28-29 and 30-31 |

Further documents are listed in the continuation of Box C.

See patent family annex.

| | |
|---|--|
| * Special categories of cited documents: | "T" later document published after the international filing date or priority date and not in conflict with the application but cited to understand the principle or theory underlying the invention |
| "A" document defining the general state of the art which is not considered to be of particular relevance | "X" document of particular relevance; the claimed invention cannot be considered novel or cannot be considered to involve an inventive step when the document is taken alone |
| "E" earlier application or patent published on or after the international filing date | "Y" document of particular relevance; the claimed invention cannot be considered to involve an inventive step when the document is combined with one or more other such documents, such combination being obvious to a person skilled in the art |
| "L" document which may throw doubts on priority claim(s) or which is cited to establish the publication date of another citation or other special reason (as specified) | "&" document member of the same patent family |
| "O" document referring to an oral disclosure, use, exhibition or other means | |
| "P" document published prior to the international filing date but later than the priority date claimed | |

Date of the actual completion of the international search

22 March 2005 (22.03.2005)

Date of mailing of the international search report

31 MAR 2005

Name and mailing address of the ISA/US

Mail Stop PCT, Attn: ISA/US
 Commissioner for Patents
 P.O. Box 1450
 Alexandria, Virginia 22313-1450

Facsimile No. (703) 305-3230

Authorized officer

Linda Sholl

Telephone No. 703 308 1148

Sheila H. Venzky
 Paralegal Specialist
 Tech. Center 3700

INTERNATIONAL SEARCH REPORTInternational application No.
PCT/US04/22199

| C. (Continuation) DOCUMENTS CONSIDERED TO BE RELEVANT | | |
|---|--|-----------------------|
| Category * | Citation of document, with indication, where appropriate, of the relevant passages | Relevant to claim No. |
| A | US 6,230,515 B1 (WISEMAN) 15 May 2001 (15.05.2001), See the entire document | 1-31 |