



US00D468402S

(12) **United States Design Patent**
Panis et al.

(10) **Patent No.:** **US D468,402 S**

(45) **Date of Patent:** **** Jan. 7, 2003**

- (54) **FAUCET**
- (75) Inventors: **Pierre-Yves Panis**, North Olmsted, OH (US); **Douglas A. Kemp**, North Ridgeville, OH (US); **Michael J. Painter**, Columbus, OH (US); **Sean W. Svendsen**, Columbus, OH (US)
- (73) Assignee: **Moen Incorporated**, North Olmsted, OH (US)
- (**) Term: **14 Years**
- (21) Appl. No.: **29/159,046**
- (22) Filed: **Apr. 15, 2002**
- (51) **LOC (7) Cl.** **23-01**
- (52) **U.S. Cl.** **D23/242; D23/241**
- (58) **Field of Search** **D23/238-243, D23/250-257; 4/675-678; 137/801**
- (56) **References Cited**

- D429,317 S 8/2000 Spangler
- D429,318 S 8/2000 Spangler
- D429,522 S 8/2000 Spangler
- D429,523 S 8/2000 Spangler
- D429,799 S 8/2000 Spangler
- D429,800 S 8/2000 Spangler
- D430,650 S 9/2000 Graves
- D433,107 S 10/2000 Spangler
- D433,732 S 11/2000 Lord
- D434,473 S 11/2000 Spangler
- D434,474 S 11/2000 Spangler
- D437,394 S 2/2001 Mark et al.
- D437,918 S 2/2001 Doughty et al.
- D438,602 S 3/2001 Milrud et al.
- D439,635 S 3/2001 Robbins
- D439,953 S 4/2001 Lord
- D440,634 S 4/2001 Fleischmann
- D440,635 S 4/2001 Fleischmann
- D441,428 S 5/2001 Donell
- D441,434 S 5/2001 Dretzka
- D443,031 S 5/2001 Strader et al.
- D444,539 S 7/2001 Ker
- D444,851 S 7/2001 Sturgeon
- D444,856 S 7/2001 Green et al.
- D445,880 S 7/2001 Wen

U.S. PATENT DOCUMENTS

- D276,259 S * 11/1984 Miller D23/241
- D287,747 S 1/1987 Miller et al.
- D288,835 S 3/1987 Yost
- D290,740 S 7/1987 Yost
- D295,551 S * 5/1988 Yost D23/255
- D320,645 S 10/1991 Knapp et al.
- D321,750 S 11/1991 Spangler
- D327,944 S 7/1992 Stairs, Jr. et al.
- D349,154 S 7/1994 Mark
- D352,095 S 11/1994 Bollenbacher
- D368,302 S * 3/1996 Doughty et al. D23/241
- D373,815 S 9/1996 Chaney
- D387,130 S 12/1997 Warshawsky
- D398,963 S 9/1998 Donahue et al.
- D409,292 S 5/1999 Hyde et al.
- D416,606 S 11/1999 Ouyoung
- D418,580 S 1/2000 Warshawsky et al.
- D418,581 S 1/2000 Warshawsky et al.
- D428,965 S 8/2000 Slothower
- D428,972 S 8/2000 Spangler
- D428,973 S 8/2000 Spangler
- D428,974 S 8/2000 Spangler

(List continued on next page.)

Primary Examiner—Louis S. Zarfaz
Assistant Examiner—Gregory Andoll
(74) *Attorney, Agent, or Firm*—Cook, Alex, McFarron, Manzo, Cummings & Mehler, Ltd.

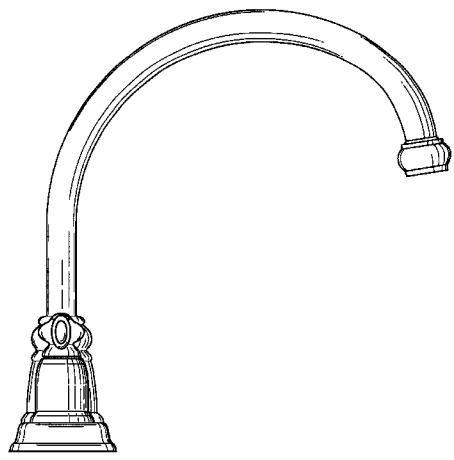
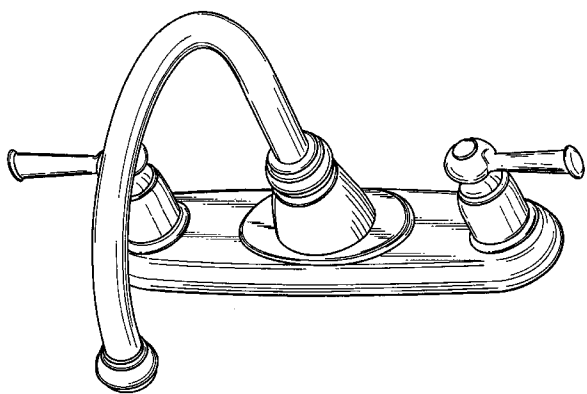
(57) **CLAIM**

The ornamental design for a faucet, as shown and described.

DESCRIPTION

FIG. 1 is a front perspective view of our new design for a faucet;
FIG. 2 is a left side view thereof, the right side being a mirror image of the left side;
FIG. 3 is a front view thereof;
FIG. 4 is a top view thereof; and,
FIG. 5 is a rear view thereof.

1 Claim, 3 Drawing Sheets



US D468,402 S

Page 2

U.S. PATENT DOCUMENTS

D446,843 S 8/2001 Martinez
D447,541 S 9/2001 Dretzka
D447,542 S 9/2001 Dretzka

D448,068 S 9/2001 Lord
D448,833 S 10/2001 Pitsch

* cited by examiner

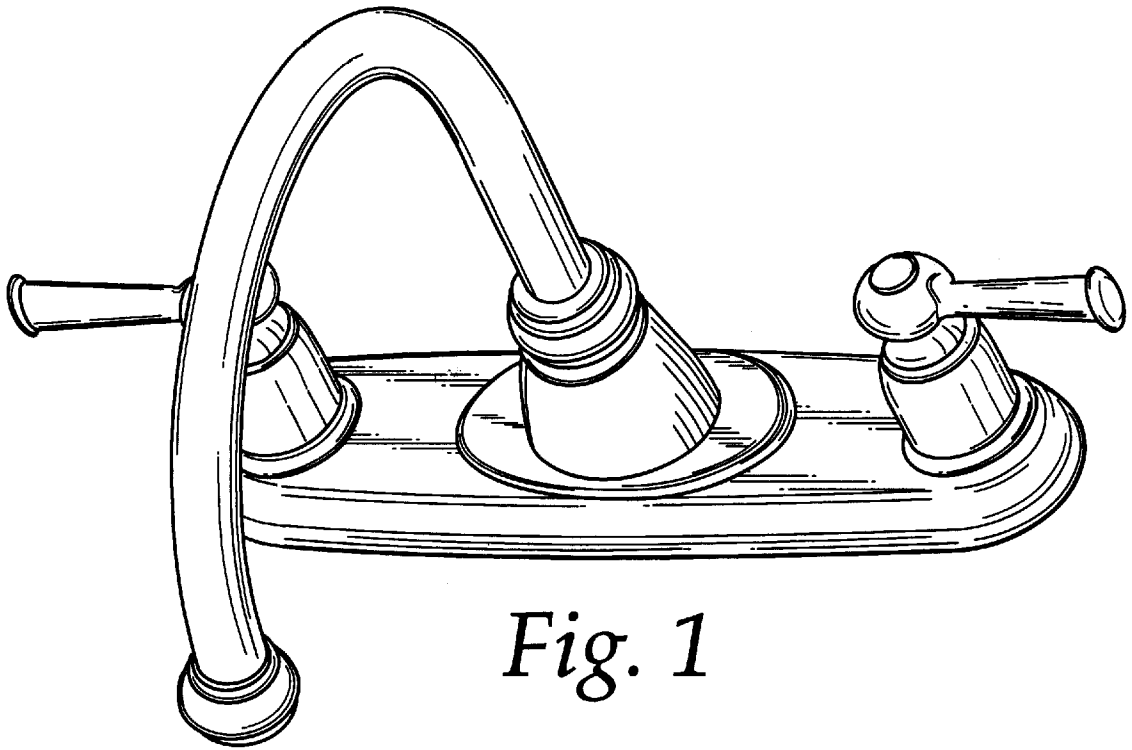


Fig. 1

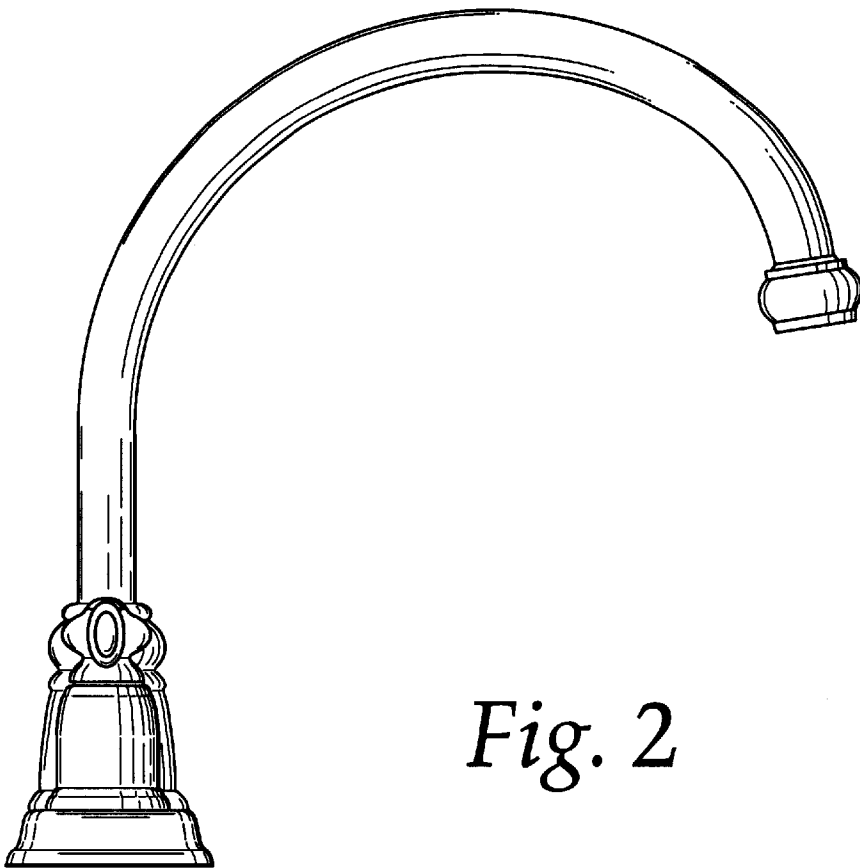
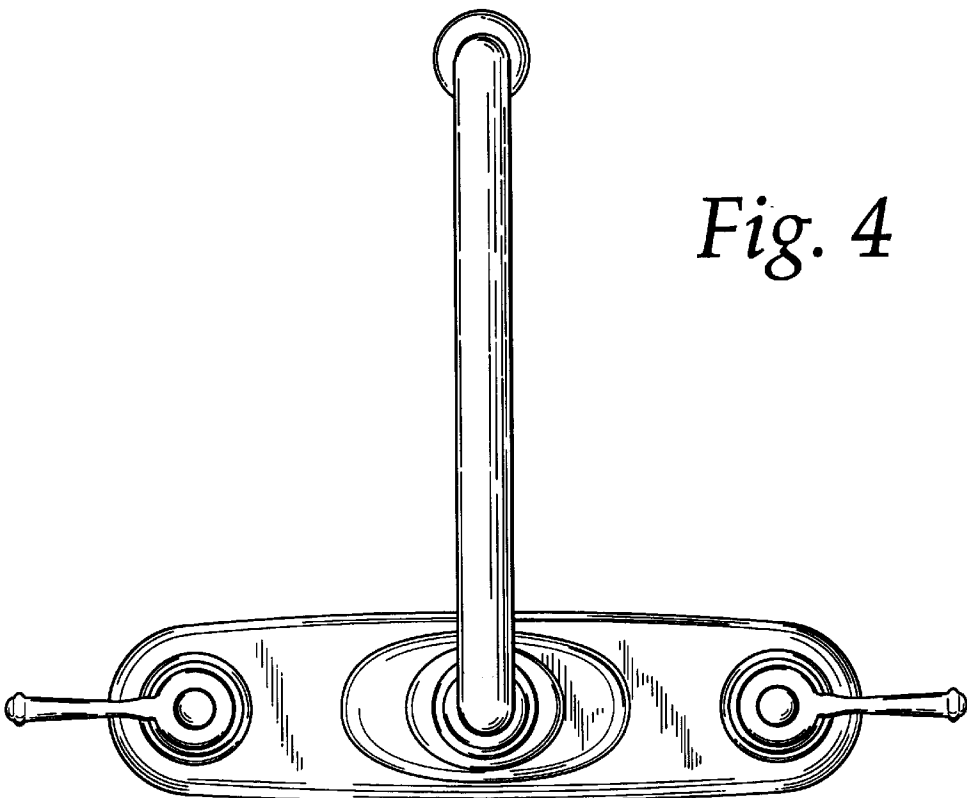
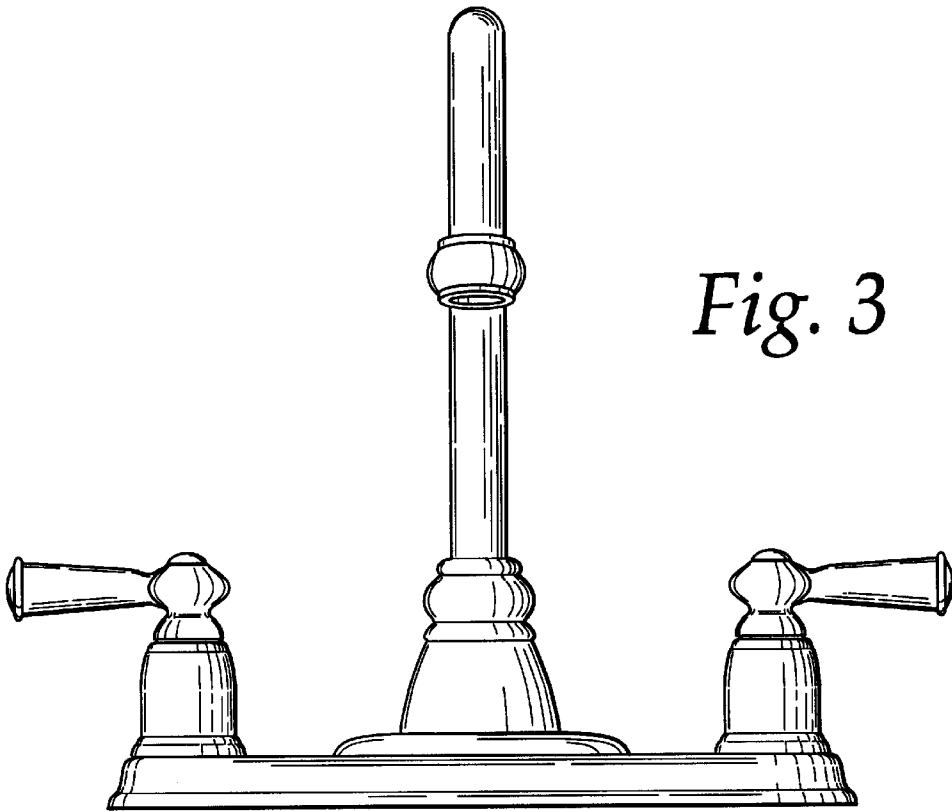


Fig. 2



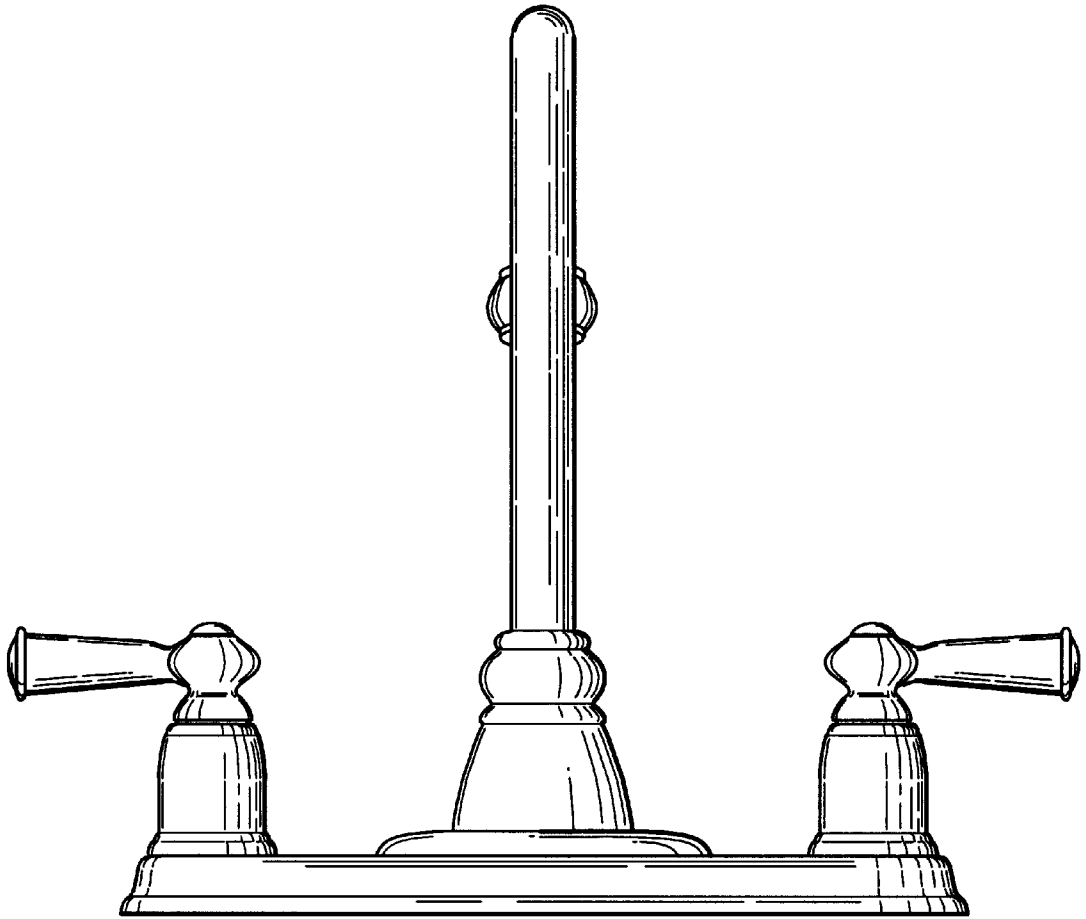


Fig. 5