

(19) World Intellectual Property
Organization
International Bureau



(43) International Publication Date
23 September 2004 (23.09.2004)

PCT

(10) International Publication Number
WO 2004/082347 A3

(51) International Patent Classification⁷: **H05K 3/34**

(21) International Application Number:
PCT/US2004/006912

(22) International Filing Date: 4 March 2004 (04.03.2004)

(25) Filing Language: English

(26) Publication Language: English

(30) Priority Data:
10/385,487 12 March 2003 (12.03.2003) US

(71) Applicant (for all designated States except US):
HEWLETT-PACKARD DEVELOPMENT COMPANY, L.P. [US/US]; 20555 S.H. 249, Houston, Texas 77070 (US).

(72) Inventors; and

(75) Inventors/Applicants (for US only): **VANDER PLAS, Hubert, A.** [US/US]; 2365 NW Maser Drive, Corvallis, Oregon 97330 (US). **BERAUER, Frank** [DE/SG]; 10 Lasia Avenue, Singapore 277843 (SG).

(74) Agent: **HEMINGER, Susan, E.**; Hewlett-Packard Company, IP Administration, P.O. Box 272400, Ft. Collins, CO 80527-2400 (US).

(81) Designated States (unless otherwise indicated, for every kind of national protection available): AE, AG, AL, AM,

AT, AU, AZ, BA, BB, BG, BR, BW, BY, BZ, CA, CH, CN, CO, CR, CU, CZ, DE, DK, DM, DZ, EC, EE, EG, ES, FI, GB, GD, GE, GH, GM, HR, HU, ID, IL, IN, IS, JP, KE, KG, KP, KR, KZ, LC, LK, LR, LS, LT, LU, LV, MA, MD, MG, MK, MN, MW, MX, MZ, NA, NI, NO, NZ, OM, PG, PH, PL, PT, RO, RU, SC, SD, SE, SG, SK, SL, SY, TJ, TM, TN, TR, TT, TZ, UA, UG, US, UZ, VC, VN, YU, ZA, ZM, ZW.

(84) Designated States (unless otherwise indicated, for every kind of regional protection available): ARIPO (BW, GH, GM, KE, LS, MW, MZ, SD, SL, SZ, TZ, UG, ZM, ZW), Eurasian (AM, AZ, BY, KG, KZ, MD, RU, TJ, TM), European (AT, BE, BG, CH, CY, CZ, DE, DK, EE, ES, FI, FR, GB, GR, HU, IE, IT, LU, MC, NL, PL, PT, RO, SE, SI, SK, TR), OAPI (BF, BJ, CF, CG, CI, CM, GA, GN, GQ, GW, ML, MR, NE, SN, TD, TG).

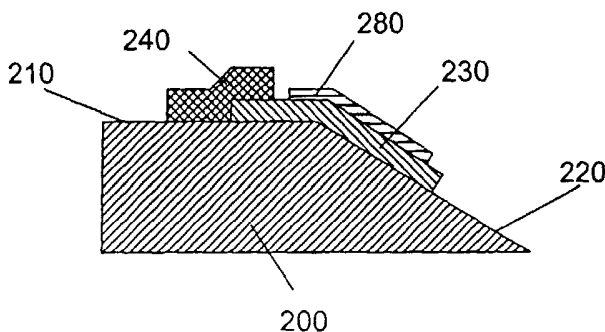
Published:

- with international search report
- before the expiration of the time limit for amending the claims and to be republished in the event of receipt of amendments

(88) Date of publication of the international search report:
2 June 2005

For two-letter codes and other abbreviations, refer to the "Guidance Notes on Codes and Abbreviations" appearing at the beginning of each regular issue of the PCT Gazette.

(54) Title: SOLDER ON A SLOPED SURFACE



(57) Abstract: A method for depositing a solder layer (280) or solder bump on a sloped surface (220). The method includes etching a sloped surface on a planar semiconductor substrate (200), depositing a solder-wettable layer (230) on the sloped surface, masking the wettable layer with a coating layer (240) to control the position of the solder deposition, and using an organic film (250) to prevent the solder from being deposited at regions not above either the wettable layer or the coating layer. Also, a semiconductor device structure on which a solder layer or solder bump is formed exclusively on a

WO 2004/082347 A3

sloped surface.

INTERNATIONAL SEARCH REPORT

International Application No
PCT/US2004/006912

A. CLASSIFICATION OF SUBJECT MATTER
IPC 7 H05K3/34

According to International Patent Classification (IPC) or to both national classification and IPC

B. FIELDS SEARCHED
Minimum documentation searched (classification system followed by classification symbols)
IPC 7 H01L H05K

Documentation searched other than minimum documentation to the extent that such documents are included in the fields searched

Electronic data base consulted during the international search (name of data base and, where practical, search terms used)
EPO-Internal

C. DOCUMENTS CONSIDERED TO BE RELEVANT

Category °	Citation of document, with indication, where appropriate, of the relevant passages	Relevant to claim No.
X	US 2002/028338 A1 (LI JIAN ET AL) 7 March 2002 (2002-03-07) abstract; figures 2-4 paragraph '0002! paragraph '0017! - paragraph '0020!	1,6,7
A	-----	4,10
X	US 5 736 456 A (AKRAM ET AL) 7 April 1998 (1998-04-07) abstract; figures 1-4 column 3, line 49 - line 63 column 4, line 8 - line 23 column 5, line 66 - column 6, line 16 column 6, line 37 - line 40	1,6,7
A	----- -/--	4,10

Further documents are listed in the continuation of box C. Patent family members are listed in annex.

° Special categories of cited documents :

- *A* document defining the general state of the art which is not considered to be of particular relevance
- *E* earlier document but published on or after the international filing date
- *L* document which may throw doubts on priority claim(s) or which is cited to establish the publication date of another citation or other special reason (as specified)
- *O* document referring to an oral disclosure, use, exhibition or other means
- *P* document published prior to the international filing date but later than the priority date claimed
- *T* later document published after the international filing date or priority date and not in conflict with the application but cited to understand the principle or theory underlying the invention
- *X* document of particular relevance; the claimed invention cannot be considered novel or cannot be considered to involve an inventive step when the document is taken alone
- *Y* document of particular relevance; the claimed invention cannot be considered to involve an inventive step when the document is combined with one or more other such documents, such combination being obvious to a person skilled in the art.
- * & * document member of the same patent family

Date of the actual completion of the international search 17 March 2005	Date of mailing of the international search report 01/04/2005
--	--

Name and mailing address of the ISA European Patent Office, P.B. 5818 Patentlaan 2 NL - 2280 HV Rijswijk Tel. (+31-70) 340-2040, Tx. 31 651 epo nl, Fax: (+31-70) 340-3016	Authorized officer Deconinck, E
--	--

INTERNATIONAL SEARCH REPORT

International Application No

PCT/US2004/006912

C.(Continuation) DOCUMENTS CONSIDERED TO BE RELEVANT

Category *	Citation of document, with indication, where appropriate, of the relevant passages	Relevant to claim No.
X	US 4 360 142 A (CARPENTER ET AL) 23 November 1982 (1982-11-23) abstract; figures 1,2 column 3, line 22 - column 4, line 31	1,6,7
A	-----	4,10
A	US 5 880 017 A (SCHWIEBERT ET AL) 9 March 1999 (1999-03-09) cited in the application * cited by applicant * abstract; figures 1,4 column 3, line 49 - line 51 column 4, line 59 - column 5, line 2 column 6, line 40 - line 43 column 9, line 29 - line 40 column 10, line 26 - line 38	1,2,4,6, 7,9,10
X	US 5 492 235 A (CRAFTS ET AL) 20 February 1996 (1996-02-20) abstract; figures 1-3 column 2, line 36 - line 40 column 4, line 5 - line 49	1,6-8
A	-----	5,10

INTERNATIONAL SEARCH REPORT

Information on patent family members

International Application No

PCT/US2004/006912

Patent document cited in search report	Publication date	Patent family member(s)	Publication date	
US 2002028338	A1	07-03-2002	US 6312830 B1	06-11-2001
			AU 7883100 A	26-03-2001
			DE 10084995 T0	31-10-2002
			GB 2370417 A ,B	26-06-2002
			WO 0117013 A2	08-03-2001
US 5736456	A	07-04-1998	US 6072236 A	06-06-2000
			US 2002086513 A1	04-07-2002
			US 6083820 A	04-07-2000
			US 2002185749 A1	12-12-2002
			US 2003194854 A1	16-10-2003
			US 6211052 B1	03-04-2001
			US 6316839 B1	13-11-2001
			US 2001016408 A1	23-08-2001
			US 5851911 A	22-12-1998
			US 5903058 A	11-05-1999
			US 6147413 A	14-11-2000
			US 2002000673 A1	03-01-2002
			US 6124634 A	26-09-2000
			US 6358833 B1	19-03-2002
			US 2001007372 A1	12-07-2001
			US 6207548 B1	27-03-2001
			US 4360142	A
CA 1139008 A1	04-01-1983			
DE 3072031 D1	22-10-1987			
EP 0021139 A2	07-01-1981			
IT 1148836 B	03-12-1986			
JP 1490494 C	07-04-1989			
JP 56007452 A	26-01-1981			
JP 59043092 B	19-10-1984			
US 5880017	A	09-03-1999		
			CN 1159077 A ,C	10-09-1997
			EP 0697727 A2	21-02-1996
			JP 8172259 A	02-07-1996
			US 5586715 A	24-12-1996
			US 5672542 A	30-09-1997
US 5492235	A	20-02-1996	WO 9722989 A1	26-06-1997
			AU 4641496 A	14-07-1997
			DE 19581952 T0	05-11-1998
			GB 2322970 A ,B	09-09-1998