

(19) World Intellectual Property
Organization
International Bureau



(43) International Publication Date
12 August 2004 (12.08.2004)

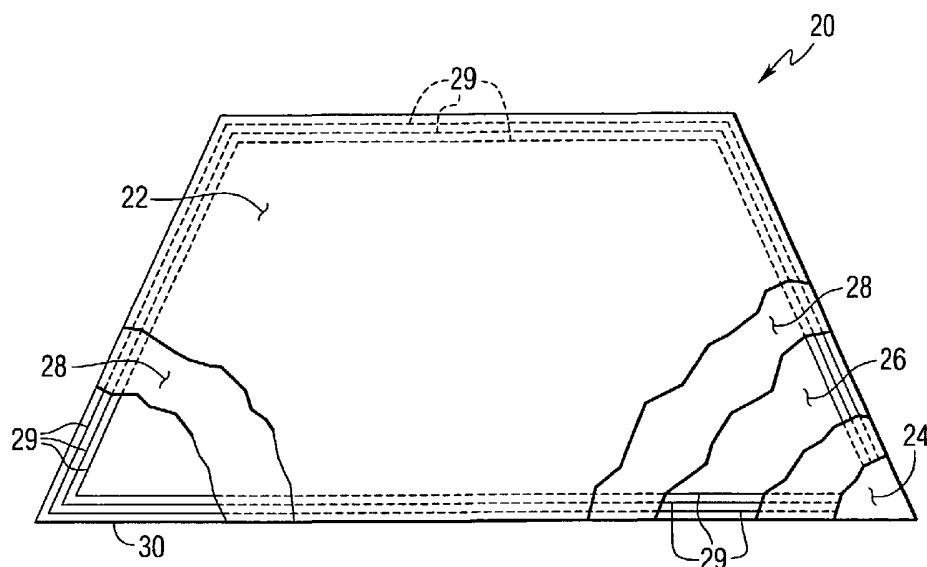
PCT

(10) International Publication Number
WO 2004/067792 A3

- (51) International Patent Classification⁷: C03C 17/36, C23C 14/34, B23B 17/06
- (21) International Application Number: PCT/US2004/002162
- (22) International Filing Date: 27 January 2004 (27.01.2004)
- (25) Filing Language: English
- (26) Publication Language: English
- (30) Priority Data: 10/353,566 29 January 2003 (29.01.2003) US
- (71) Applicant (for all designated States except US): PPG INDUSTRIES OHIO INC. [US/US]; 3800 West 143rd Street, Cleveland, OH 44111 (US).
- (72) Inventors: FREEMAN, Glenn, E.; 1110 Park Street, Tarentum, PA 15084 (US). LEWETAG, Robert, C.; 360 Cherry Valley Road, Saxonburg, PA 16056 (US). THIEL, James, P.; 296 Mt. Royal Boulevard, Pittsburgh, PA 15223 (US).
- (74) Agents: SIMINERIO, Andrew, C. et al.; PPG Industries, Inc., Intellectual Property Dept., One PPG Place, Pittsburgh, PA 15272 (US).
- (81) Designated States (unless otherwise indicated, for every kind of national protection available): AE, AG, AL, AM, AT, AU, AZ, BA, BB, BG, BR, BW, BY, BZ, CA, CH, CN, CO, CR, CU, CZ, DE, DK, DM, DZ, EC, EE, EG, ES, FI, GB, GD, GE, GH, GM, HR, HU, ID, IL, IN, IS, JP, KE, KG, KP, KR, KZ, LC, LK, LR, LS, LT, LU, LV, MA, MD, MG, MK, MN, MW, MX, MZ, NA, NI, NO, NZ, OM, PG, PH, PL, PT, RO, RU, SC, SD, SE, SG, SK, SL, SY, TJ, TM, TN, TR, TT, TZ, UA, UG, US, UZ, VC, VN, YU, ZA, ZM, ZW.
- (84) Designated States (unless otherwise indicated, for every kind of regional protection available): ARIPO (BW, GH, GM, KE, LS, MW, MZ, SD, SL, SZ, TZ, UG, ZM, ZW), Eurasian (AM, AZ, BY, KG, KZ, MD, RU, TJ, TM), European (AT, BE, BG, CH, CY, CZ, DE, DK, EE, ES, FI, FR, GB, GR, HU, IE, IT, LU, MC, NL, PT, RO, SE, SI, SK, TR), OAPI (BF, BJ, CF, CG, CI, CM, GA, GN, GQ, GW, ML, MR, NE, SN, TD, TG).

[Continued on next page]

(54) Title: A COATED ARTICLE HAVING A SEALED LAYERED EDGE TO IMPEDE CORROSION OF A COATING AT THE EDGE AND METHOD OF MAKING SAME



(57) Abstract: An article having a sealed layered edge, e.g. an automotive laminate and a multiple glazed unit includes a pair of glass sheet in a fixed relationship with one another. A sputtered coating is deposited on a major surface of one of the sheets and includes at least one combination of a metal film, e.g. a silver film and a dielectric film. Discontinuities in the metal film at the marginal edges of the coated sheet provide voids in the metal film to impede or stop corrosion of the metal film. The discontinuities include (1) break lines or segments in the coating, (2) coating thickness variations provided by abrading the coating and (3) spaced discrete coating areas on the marginal edges of the coated sheet. The discontinuities may be made in the metal film using a laser, an abrasive surface, a coating mask and/or coating deletion techniques.

WO 2004/067792 A3



Published:

- *with international search report*
- *before the expiration of the time limit for amending the claims and to be republished in the event of receipt of amendments*

For two-letter codes and other abbreviations, refer to the "Guidance Notes on Codes and Abbreviations" appearing at the beginning of each regular issue of the PCT Gazette.

(88) Date of publication of the international search report:

4 November 2004

INTERNATIONAL SEARCH REPORT

International Application No
/US2004/002162

A. CLASSIFICATION OF SUBJECT MATTER IPC 7 C03C17/36 C23C14/34 B32B17/06				
According to International Patent Classification (IPC) or to both national classification and IPC				
B. FIELDS SEARCHED Minimum documentation searched (classification system followed by classification symbols) IPC 7 C03C B23B				
Documentation searched other than minimum documentation to the extent that such documents are included in the fields searched				
Electronic data base consulted during the international search (name of data base and, where practical, search terms used) EPO-Internal				
C. DOCUMENTS CONSIDERED TO BE RELEVANT				
Category °	Citation of document, with indication, where appropriate, of the relevant passages	Relevant to claim No.		
A	US 5 492 750 A (SHUMAKER JR ROBERT T ET AL) 20 February 1996 (1996-02-20) column 1, line 51 - column 2, line 55 column 3, line 33 - column 4, line 65; claims 1-19	1-34		
A	US 5 738 947 A (MORI RIE ET AL) 14 April 1998 (1998-04-14) column 2, lines 21-64 column 5, line 44 - column 6, line 46; claims 1-14	1-34		
A	WO 00/76930 A (PPG IND OHIO INC) 21 December 2000 (2000-12-21) page 6, lines 1-34; claims 1-45; examples 1-11	1-34		
----- -/--				
<input checked="" type="checkbox"/> Further documents are listed in the continuation of box C. <input checked="" type="checkbox"/> Patent family members are listed in annex.				
° Special categories of cited documents :				
<table style="width: 100%; border: none;"> <tr> <td style="width: 50%; border: none; vertical-align: top;"> *A* document defining the general state of the art which is not considered to be of particular relevance *E* earlier document but published on or after the international filing date *L* document which may throw doubts on priority claim(s) or which is cited to establish the publication date of another citation or other special reason (as specified) *O* document referring to an oral disclosure, use, exhibition or other means *P* document published prior to the international filing date but later than the priority date claimed </td> <td style="width: 50%; border: none; vertical-align: top;"> *T* later document published after the international filing date or priority date and not in conflict with the application but cited to understand the principle or theory underlying the invention *X* document of particular relevance; the claimed invention cannot be considered novel or cannot be considered to involve an inventive step when the document is taken alone *Y* document of particular relevance; the claimed invention cannot be considered to involve an inventive step when the document is combined with one or more other such documents, such combination being obvious to a person skilled in the art. *&* document member of the same patent family </td> </tr> </table>			*A* document defining the general state of the art which is not considered to be of particular relevance *E* earlier document but published on or after the international filing date *L* document which may throw doubts on priority claim(s) or which is cited to establish the publication date of another citation or other special reason (as specified) *O* document referring to an oral disclosure, use, exhibition or other means *P* document published prior to the international filing date but later than the priority date claimed	*T* later document published after the international filing date or priority date and not in conflict with the application but cited to understand the principle or theory underlying the invention *X* document of particular relevance; the claimed invention cannot be considered novel or cannot be considered to involve an inventive step when the document is taken alone *Y* document of particular relevance; the claimed invention cannot be considered to involve an inventive step when the document is combined with one or more other such documents, such combination being obvious to a person skilled in the art. *&* document member of the same patent family
A document defining the general state of the art which is not considered to be of particular relevance *E* earlier document but published on or after the international filing date *L* document which may throw doubts on priority claim(s) or which is cited to establish the publication date of another citation or other special reason (as specified) *O* document referring to an oral disclosure, use, exhibition or other means *P* document published prior to the international filing date but later than the priority date claimed	*T* later document published after the international filing date or priority date and not in conflict with the application but cited to understand the principle or theory underlying the invention *X* document of particular relevance; the claimed invention cannot be considered novel or cannot be considered to involve an inventive step when the document is taken alone *Y* document of particular relevance; the claimed invention cannot be considered to involve an inventive step when the document is combined with one or more other such documents, such combination being obvious to a person skilled in the art. *&* document member of the same patent family			
Date of the actual completion of the international search		Date of mailing of the international search report		
31 August 2004		06/09/2004		
Name and mailing address of the ISA		Authorized officer		
European Patent Office, P.B. 5818 Patentlaan 2 NL - 2280 HV Rijswijk Tel. (+31-70) 340-2040, Tx. 31 651 epo nl, Fax: (+31-70) 340-3016		Maurer, R		

INTERNATIONAL SEARCH REPORT

International Application No
 P/US2004/002162

C.(Continuation) DOCUMENTS CONSIDERED TO BE RELEVANT		
Category °	Citation of document, with indication, where appropriate, of the relevant passages	Relevant to claim No.
A	GB 2 311 540 A (GLAVERBEL) 1 October 1997 (1997-10-01) page 4, lines 13-36; claims 1-38; tables A,B -----	1-34
A	US 4 902 580 A (GILLERY F HOWARD) 20 February 1990 (1990-02-20) column 3, line 29 - column 4, line 38; claims 1-10 -----	1-34
A	GB 405 850 A (DUPLATE CORP) 15 February 1934 (1934-02-15) page 1, lines 41-101; claims 1-6 -----	1-34

INTERNATIONAL SEARCH REPORT

International Application No

/US2004/002162

Patent document cited in search report		Publication date	Patent family member(s)	Publication date
US 5492750	A	20-02-1996	CA 2156883 A1	27-03-1996
US 5738947	A	14-04-1998	JP 3129096 B2 JP 8058014 A DE 19530997 A1 US 5630886 A	29-01-2001 05-03-1996 04-04-1996 20-05-1997
WO 0076930	A	21-12-2000	AU 764332 B2 AU 5467300 A CA 2374768 A1 EP 1194385 A1 JP 2003502259 T WO 0076930 A1	14-08-2003 02-01-2001 21-12-2000 10-04-2002 21-01-2003 21-12-2000
GB 2311540	A	01-10-1997	AT 408981 B AT 50197 A BE 1011440 A3 CH 691857 A5 CZ 9700888 A3 DE 19712527 A1 ES 2134717 A1 FR 2746791 A1 IT T0970216 A1 JP 10024515 A PL 319150 A1 PT 101981 A , B SE 514138 C2 SE 9701075 A US 6090481 A	25-04-2002 15-09-2001 07-09-1999 15-11-2001 14-01-1998 06-11-1997 01-10-1999 03-10-1997 18-09-1998 27-01-1998 29-09-1997 30-09-1997 08-01-2001 27-09-1997 18-07-2000
US 4902580	A	20-02-1990	US 4834857 A AT 101588 T AU 3232189 A CA 1335887 C CN 1037550 A , B DE 68913068 D1 DE 68913068 T2 DK 157189 A EP 0339274 A1 ES 2051316 T3 FI 891527 A HK 1006834 A1 JP 2009731 A JP 2505276 B2 KR 9205470 B1 NO 891207 A NZ 228159 A ZA 8901665 A	30-05-1989 15-03-1994 05-10-1989 13-06-1995 29-11-1989 24-03-1994 07-07-1994 02-10-1989 02-11-1989 16-06-1994 02-10-1989 19-03-1999 12-01-1990 05-06-1996 04-07-1992 02-10-1989 29-01-1991 28-11-1990
GB 405850	A	15-02-1934	NONE	