



US00D657650S

(12) **United States Design Patent**
Rubin et al.

(10) **Patent No.:** **US D657,650 S**

(45) **Date of Patent:** **** Apr. 17, 2012**

(54) **MULTI-TOOL WITH SOLAR-POWERED LIGHT**

(75) Inventors: **Bennett S. Rubin**, Papper Pike, OH (US); **Richard C. Adamany**, Chagrin Falls, OH (US)

(73) Assignee: **InterDesign, Inc.**, Solon, OH (US)

(**) Term: **14 Years**

(21) Appl. No.: **29/374,355**

(22) Filed: **Aug. 3, 2011**

(51) **LOC (9) Cl.** **08-05**

(52) **U.S. Cl.** **D8/105; D26/38**

(58) **Field of Classification Search** D8/99, D8/58, 55, 356, 52, 107, 105; D19/65; 81/440, 81/427.5, 177.4; 7/160, 138, 128, 118; 30/298.4, 30/162, 161, 155; D26/37, 46, 38
See application file for complete search history.

(56) **References Cited**

U.S. PATENT DOCUMENTS

D350,271 S	9/1994	Landy	
D372,707 S	8/1996	Grewe et al.	
D435,141 S	12/2000	Reynolds	
D449,211 S	* 10/2001	Jean et al.	D8/105
D449,507 S	* 10/2001	Jean et al.	D8/105
D449,995 S	11/2001	Christianson	
D452,037 S	* 12/2001	Smith	D27/143
D464,168 S	* 10/2002	Reynolds et al.	D27/142
D467,990 S	* 12/2002	Lin et al.	D22/149
D477,524 S	* 7/2003	Chen	D8/105
D514,063 S	1/2006	Rubin et al.	
D514,512 S	2/2006	Rubin et al.	
D522,519 S	* 6/2006	Rubin et al.	D14/480.3
D564,387 S	* 3/2008	Rubin et al.	D10/104.1
D569,214 S	* 5/2008	Telfser	D8/105
D575,182 S	* 8/2008	Rubin et al.	D10/104.1

(Continued)

Primary Examiner — Austin Murphy

(74) *Attorney, Agent, or Firm* — D. Peter Hochberg; Sean F. Mellino; Daniel J. Smola

(57) **CLAIM**

The ornamental design for a multi-tool with solar-powered light, as shown and described.

DESCRIPTION

FIG. 1 is a perspective top view of the multi-tool with solar-powered light taken from an elevation at one end of the device;

FIG. 2 is a perspective top view of the multi-tool with solar-powered light taken from an elevation at the end of the device opposite the end from which the view in FIG. 1 was taken;

FIG. 3 is a perspective bottom view of the multi-tool with solar-powered light taken from an elevation at one end of the device;

FIG. 4 is a perspective bottom view of the multi-tool with solar-powered light taken from an elevation at the end of the device opposite the end of the device from which the view in FIG. 3 was taken;

FIG. 5 is a top plan view of the multi-tool with solar-powered light;

FIG. 6 is a side view of the multi-tool with solar-powered light;

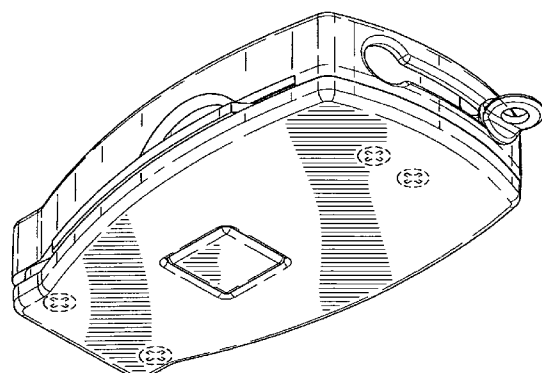
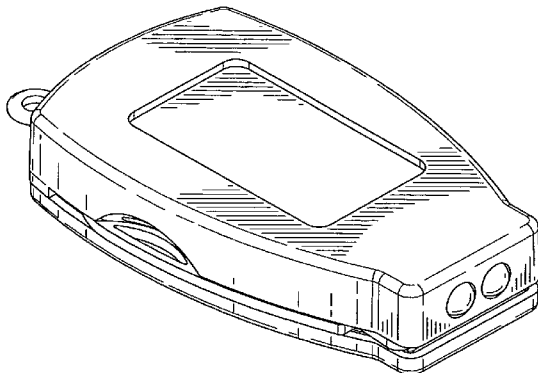
FIG. 7 is a side view of the multi-tool with solar-powered light taken from the side opposite the side of the device from which the view of FIG. 6 was taken;

FIG. 8 is an end view of the multi-tool with solar-powered light;

FIG. 9 is an end view of the multi-tool with solar-powered light taken from the end opposite the end of the device from which the view of FIG. 8 was taken; and,

FIG. 10 is a bottom plan view of the multi-tool with solar-powered light.

1 Claim, 4 Drawing Sheets



US D657,650 S

Page 2

U.S. PATENT DOCUMENTS

D593,693 S *	6/2009	Adamany et al.	D26/37	D630,486 S *	1/2011	Rubin et al.	D8/105
D603,239 S *	11/2009	Kunzendorf	D8/105	D650,257 S *	12/2011	Royes et al.	D8/105
D603,240 S *	11/2009	Kunzendorf	D8/105				

* cited by examiner

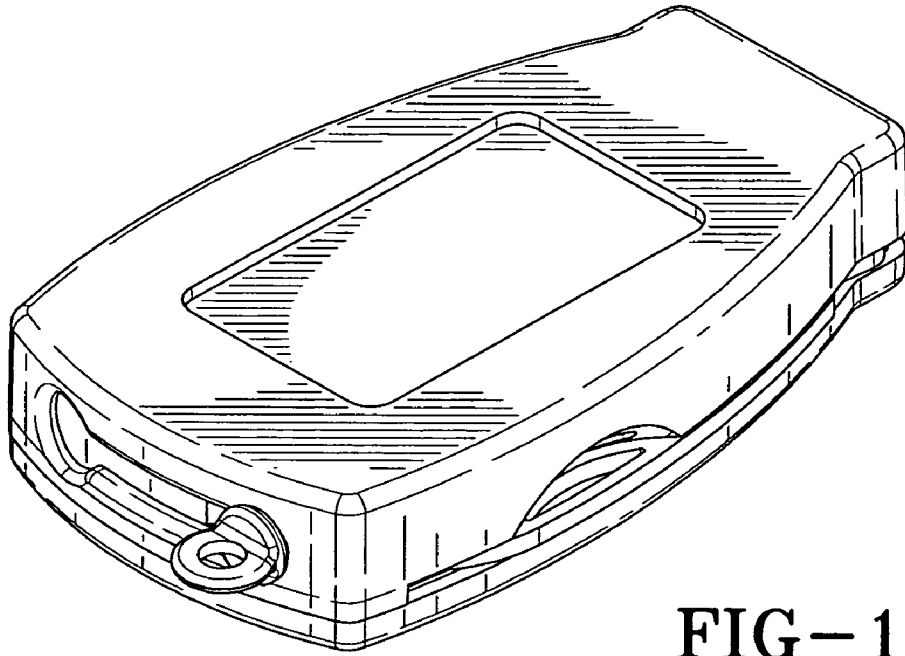


FIG-1

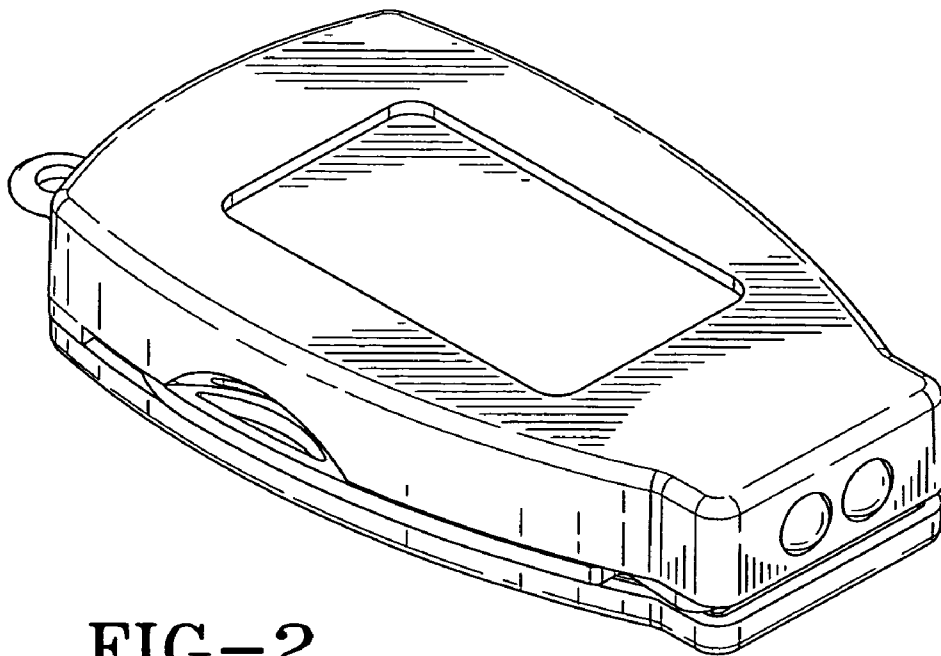


FIG-2

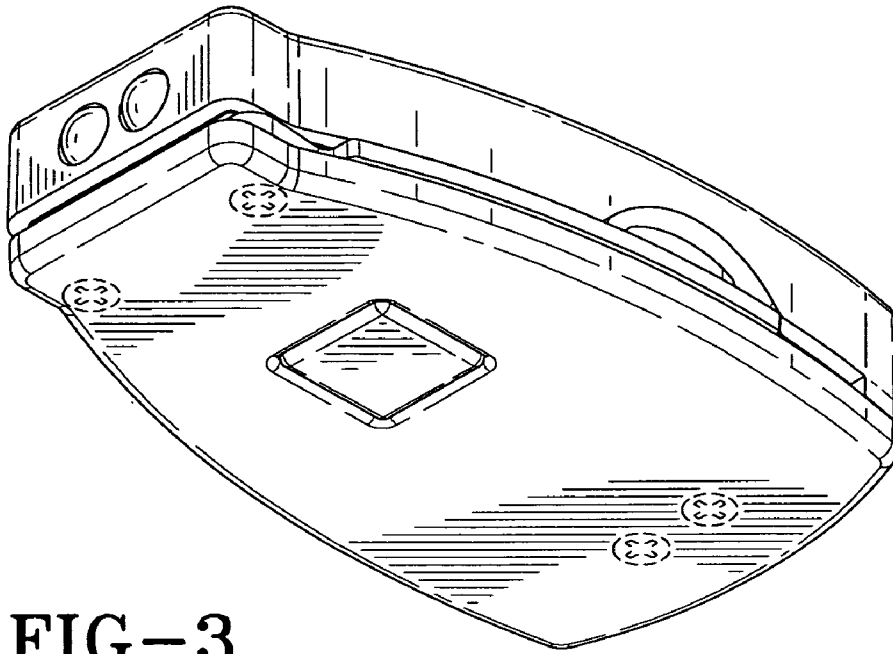


FIG-3

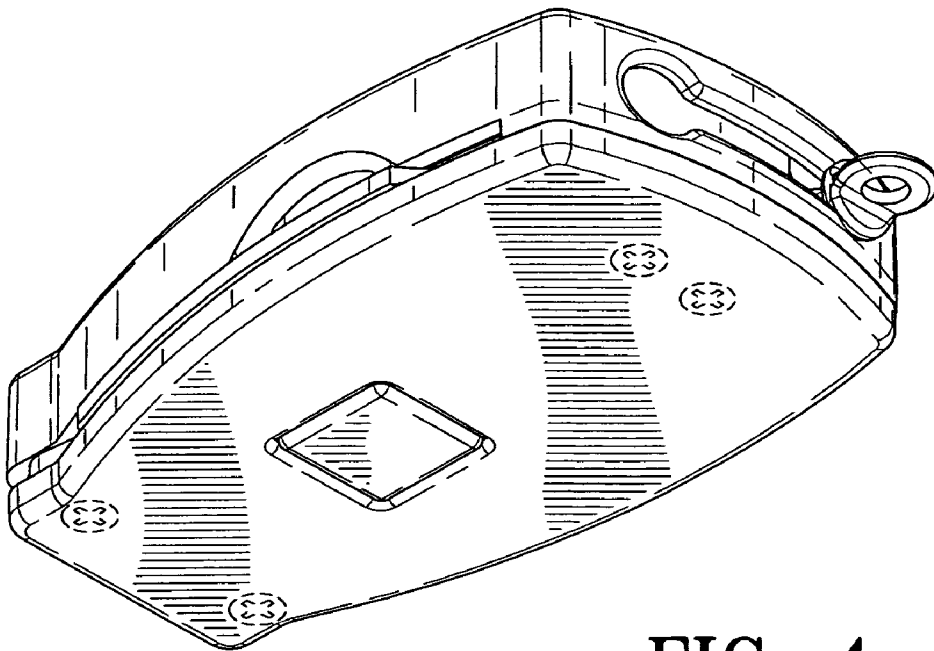


FIG-4

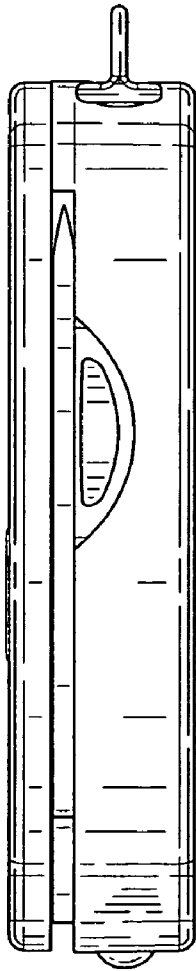


FIG-7

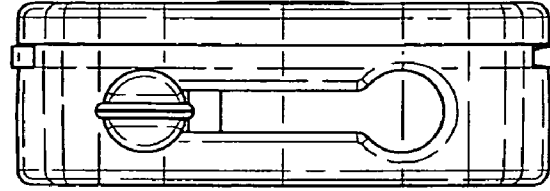


FIG-9

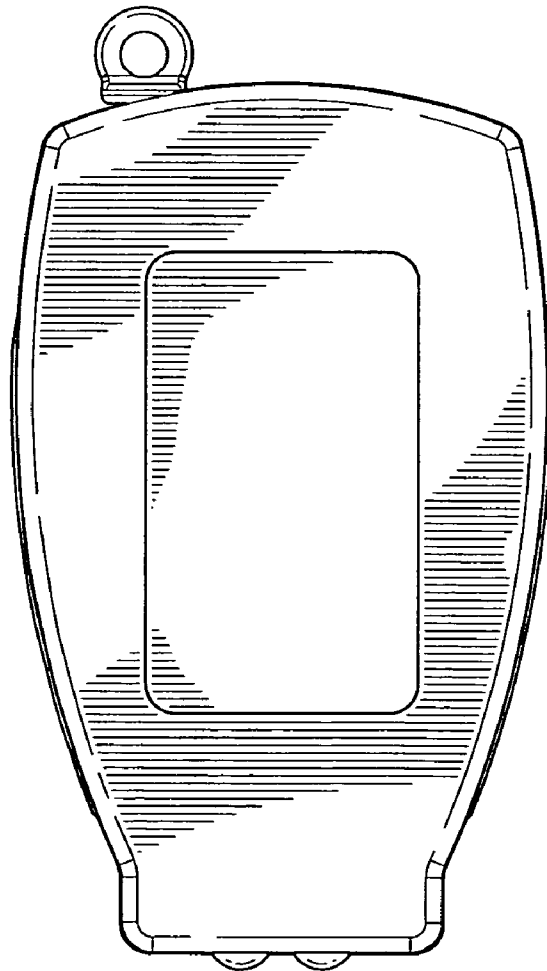


FIG-5

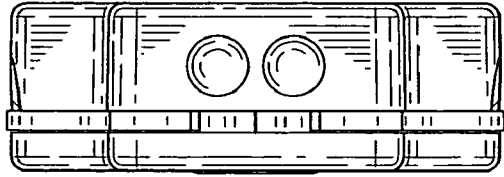


FIG-8

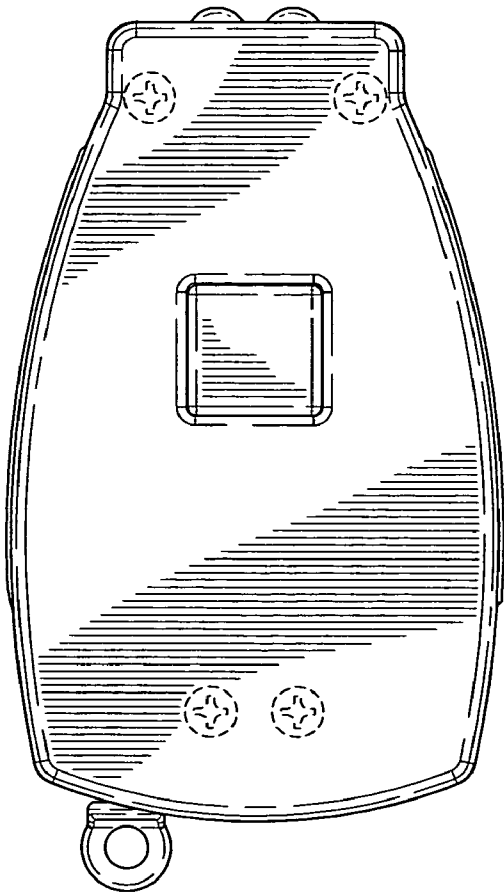


FIG-10

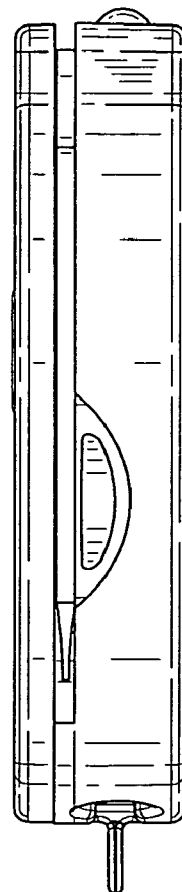


FIG-6