



US00D640320S

(12) **United States Design Patent**
Rousseau

(10) **Patent No.:** **US D640,320 S**

(45) **Date of Patent:** **** Jun. 21, 2011**

(54) **CLIP FOR WRITING INSTRUMENT**

(75) Inventor: **Xavier Rousseau**, Paris (FR)

(73) Assignee: **Zino Davidoff Trading AG** (CH)

(**) Term: **14 Years**

(21) Appl. No.: **29/369,828**

(22) Filed: **Sep. 14, 2010**

(51) **LOC (9) Cl.** **19-06**

(52) **U.S. Cl.** **D19/56**

(58) **Field of Classification Search** D19/35,
D19/36, 41-51, 54-58; 24/10 R, 11 CC,
24/11 F, 11 P, 11 PP, 11 R; 401/52, 99-114,
401/192, 193, 195-198

See application file for complete search history.

(56) **References Cited**

U.S. PATENT DOCUMENTS

D217,647 S *	5/1970	Groft	D19/57
D234,471 S *	3/1975	Carre	D19/51
D316,109 S *	4/1991	Pappageorge	D19/48
D335,146 S *	4/1993	Katami et al.	D19/57
D430,208 S *	8/2000	Veillon	D19/50
D501,028 S *	1/2005	Carre	D19/43
D503,740 S *	4/2005	Carre	D19/50

D551,711 S *	9/2007	Pellissa Beneyto	D19/51
D576,675 S *	9/2008	Kent et al.	D19/49
D628,639 S *	12/2010	Wang	D19/48

* cited by examiner

Primary Examiner — Elizabeth Albert

(74) *Attorney, Agent, or Firm* — Galbreath Law Offices,
P.C.; John A. Galbreath

(57) **CLAIM**

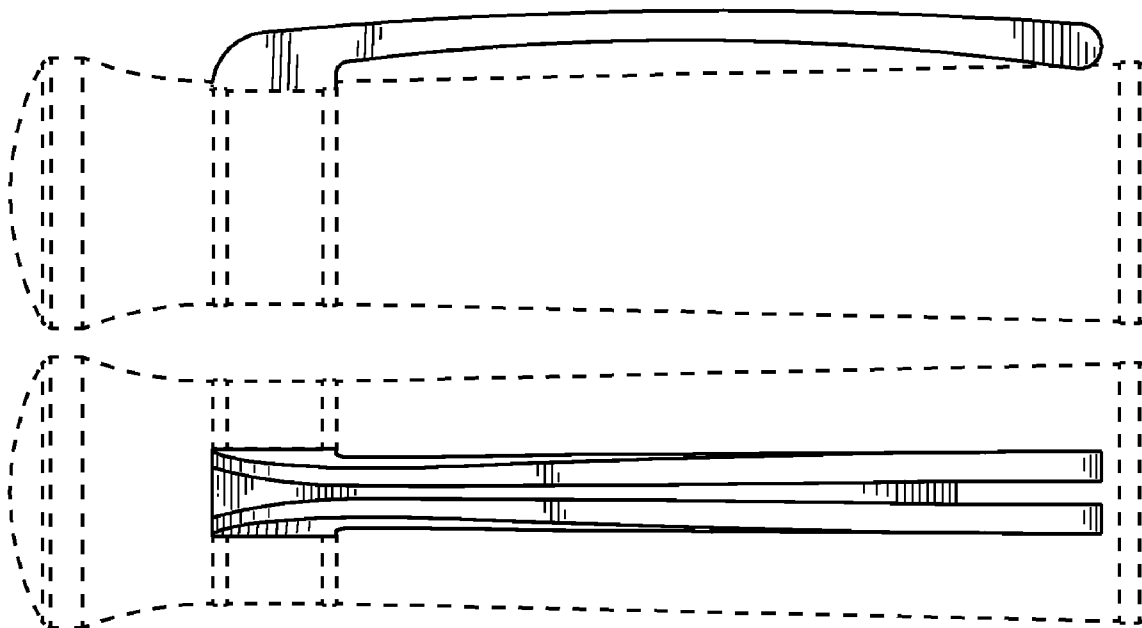
The ornamental design for a clip for writing instrument, as shown and described.

DESCRIPTION

FIG. 1 is a perspective view of the invention;
 FIG. 2 is a back view of the invention;
 FIG. 3 is a side view of the invention;
 FIG. 4 is a front view of the invention;
 FIG. 5 is another side view of the invention, showing the side opposite that shown in FIG. 3;
 FIG. 6 is a top view of the invention; and,
 FIG. 7 is a bottom view of the invention.

The writing instrument shown in broken lines in the drawings of FIGS. 1-7 is included for the purpose of showing portions that form no part of the claimed design.

1 Claim, 4 Drawing Sheets



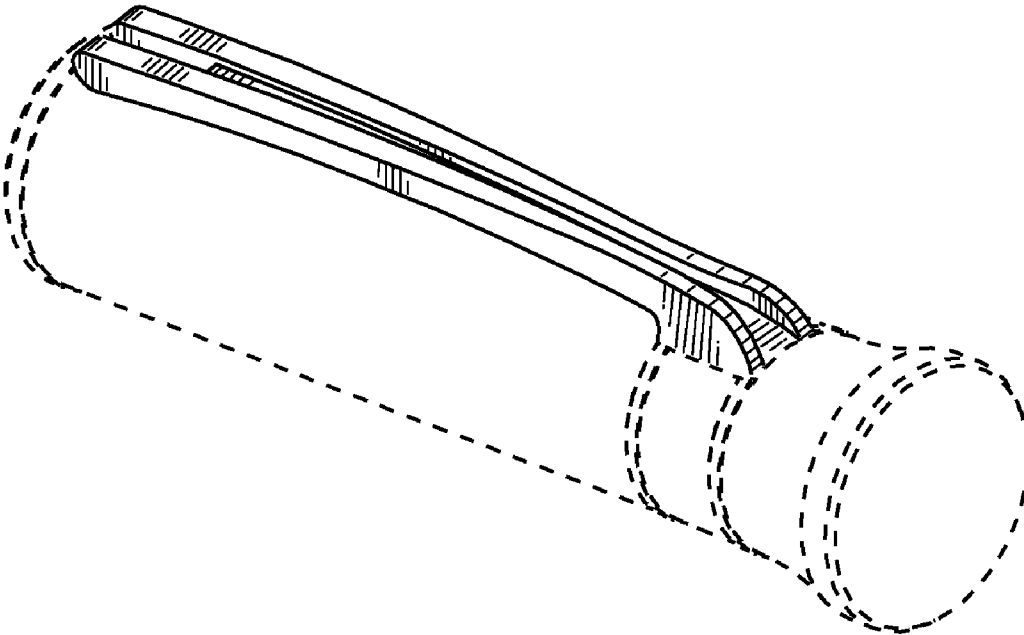


Fig. 1

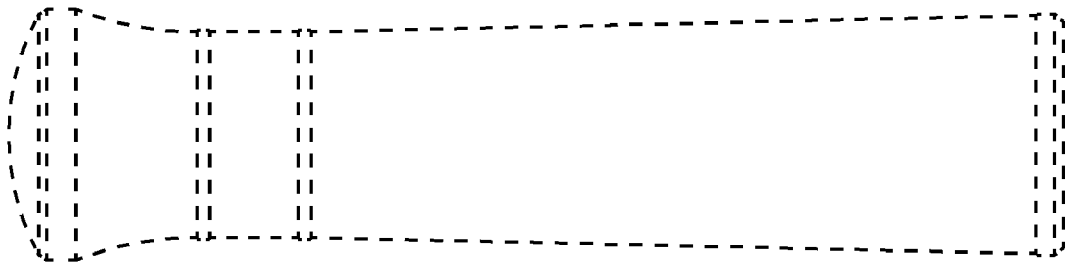


Fig. 2

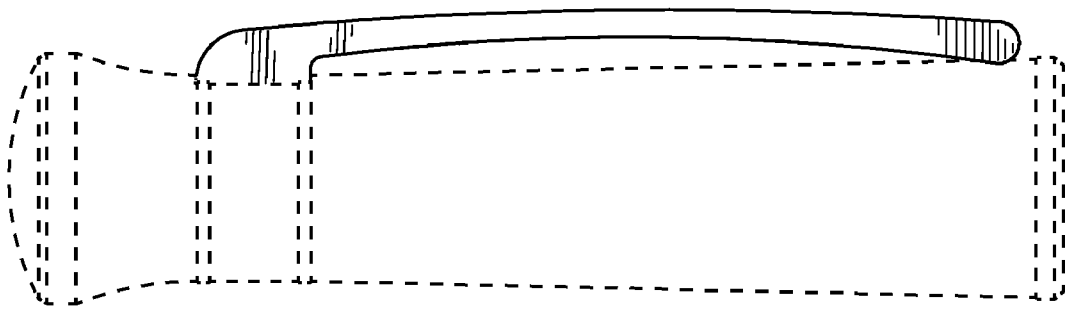


Fig. 3

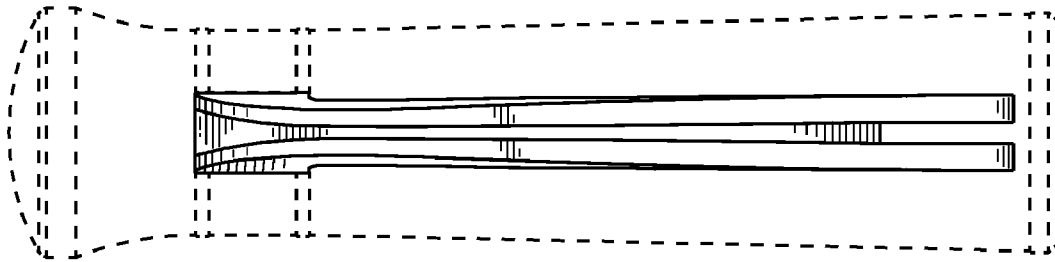


Fig. 4

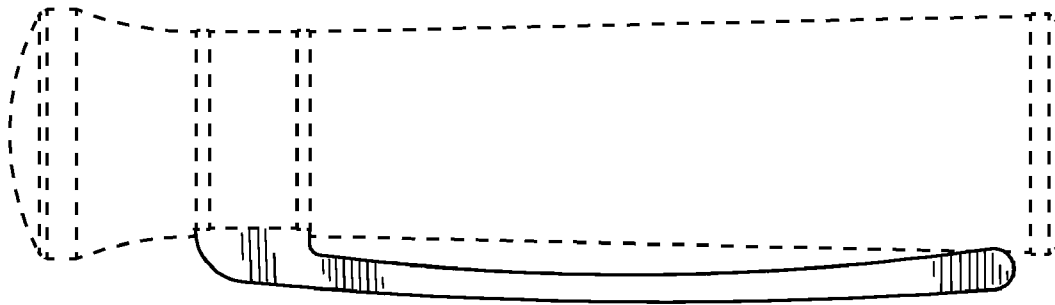


Fig. 5

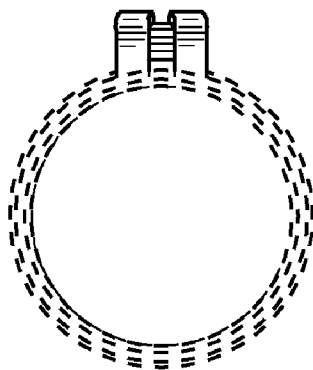


Fig. 6

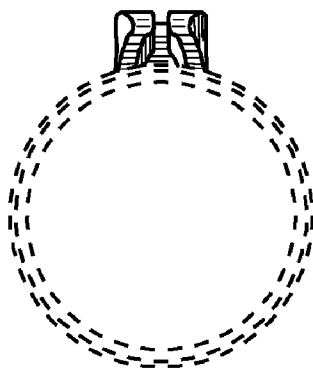


Fig. 7