



US00D732435S

(12) **United States Design Patent**
Mackay

(10) **Patent No.:** **US D732,435 S**

(45) **Date of Patent:** **** Jun. 23, 2015**

(54) **VEHICLE BODY EXTERIOR**

OTHER PUBLICATIONS

(71) Applicant: **GM GLOBAL TECHNOLOGY OPERATIONS LLC**, Detroit, MI (US)

(72) Inventor: **Brendon C. Mackay**, Shelby Township, MI (US)

(73) Assignee: **GM Global Technology Operations LLC**, Detroit, MI (US)

(**) Term: **14 Years**

(21) Appl. No.: **29/439,307**

(22) Filed: **Dec. 10, 2012**

(51) **LOC (10) Cl.** **12-08**

(52) **U.S. Cl.**

USPC **D12/98**

(58) **Field of Classification Search**

USPC D12/86, 90, 91, 92, 98; D21/533;
296/181.1, 181.5, 183.1, 37.6

See application file for complete search history.

(56)

References Cited

U.S. PATENT DOCUMENTS

D430,068 S *	8/2000	Castiglione et al.	D12/98
D516,957 S *	3/2006	O'Connell et al.	D12/91
D537,016 S *	2/2007	Shimoguchi et al.	D12/98
D570,742 S	6/2008	Takagi et al.	
D570,743 S *	6/2008	Takagi et al.	D12/98
D588,501 S *	3/2009	Kruger et al.	D12/98
D589,407 S *	3/2009	Kruger et al.	D12/98
D596,532 S *	7/2009	Opfer et al.	D12/98
D600,595 S	9/2009	Nakamura et al.	
D601,925 S *	10/2009	O'Donnell	D12/98
D604,203 S *	11/2009	O'Donnell	D12/98
D618,595 S	6/2010	Ware et al.	
D657,718 S *	4/2012	Zipfel et al.	D12/98
D659,052 S	5/2012	Ware et al.	
D659,053 S *	5/2012	Ware et al.	D12/98

Professional Grade Delivers a New Standard. The All-New 2013 Sierra. Apr. 13, 2013 [online], [retrieved on Aug. 15, 2013]. Retrieved from the Internet <URL: http://www.auto-brochures.com/makes/GMC/Sierra/GMC_US%20Sierra_2014.pdf>.*
Tony Quiroga. 2014 GMC Sierra 1500. The gentleman's pickup. Jun. 7, 2013 [online], [retrieved on Aug. 15, 2013]. Retrieved from the Internet <URL: <http://www.caranddriver.com/reviews/2014-gmc-sierra-1500-first-drive-review>>.*
Design U.S. Appl. No. 29/406,032, filed Nov. 9, 2011; First Named Inventor: In Ho Song; Title: Vehicle Body.

* cited by examiner

Primary Examiner — Philip S Hyder

Assistant Examiner — Darlington Ly

(74) *Attorney, Agent, or Firm* — Lionel D. Anderson; Reising Ethington P.C.

(57)

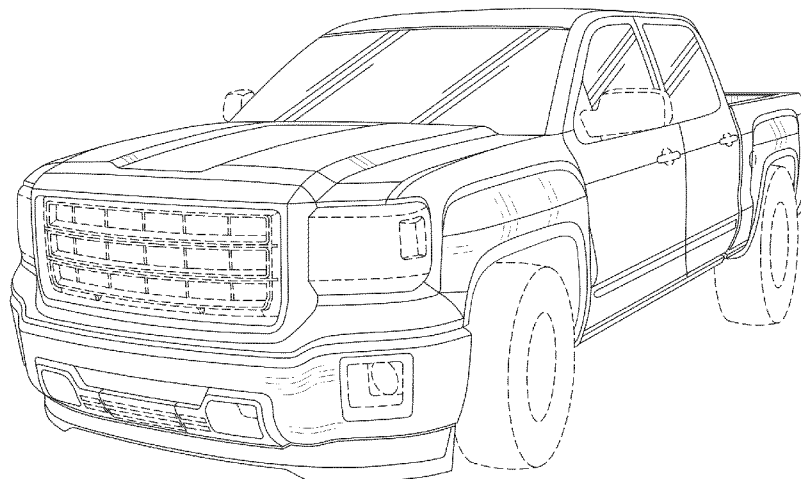
CLAIM

The ornamental design for a vehicle body exterior, as shown and described.

DESCRIPTION

FIG. 1 is a front perspective view of the vehicle body exterior; FIG. 2 is a front and left side perspective view thereof; FIG. 3 is a right side elevation view thereof (wherein the left side elevation view is a mirror image with the exception of the broken line showing of the gas cap); FIG. 4 is a top plan view thereof; FIG. 5 is a rear and left side perspective view thereof; and, FIG. 6 is a rear perspective view thereof. The broken lines shown in the drawings illustrate portions of the vehicle body exterior that form no part of the claimed design.

1 Claim, 6 Drawing Sheets



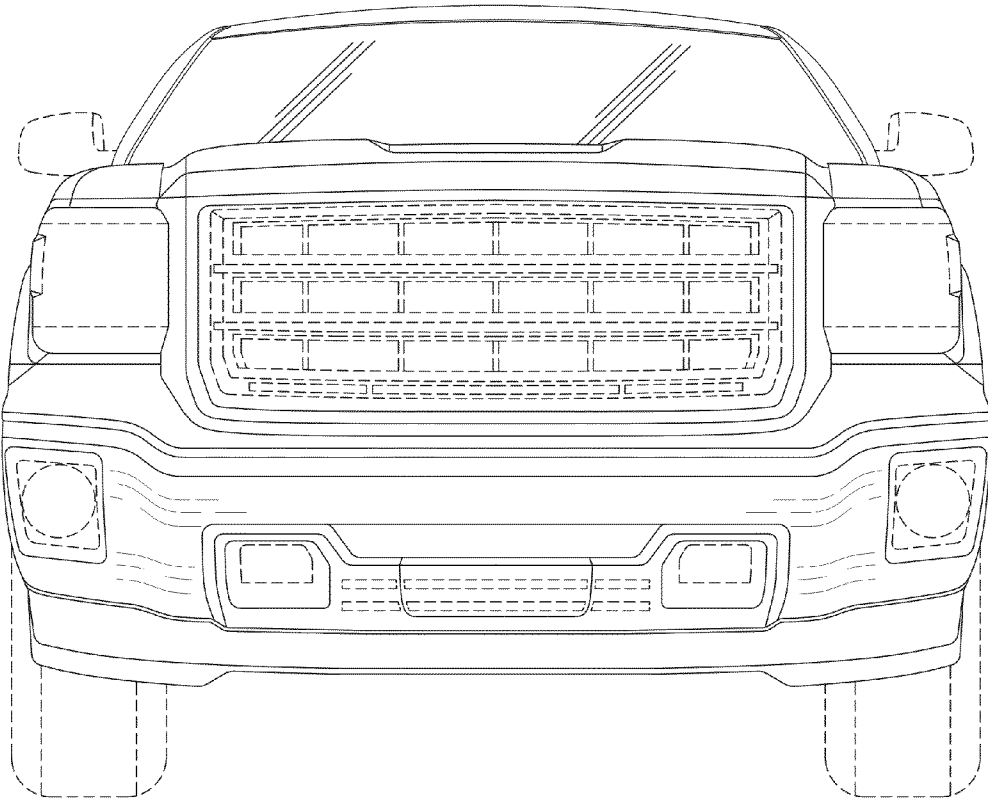


Fig-1

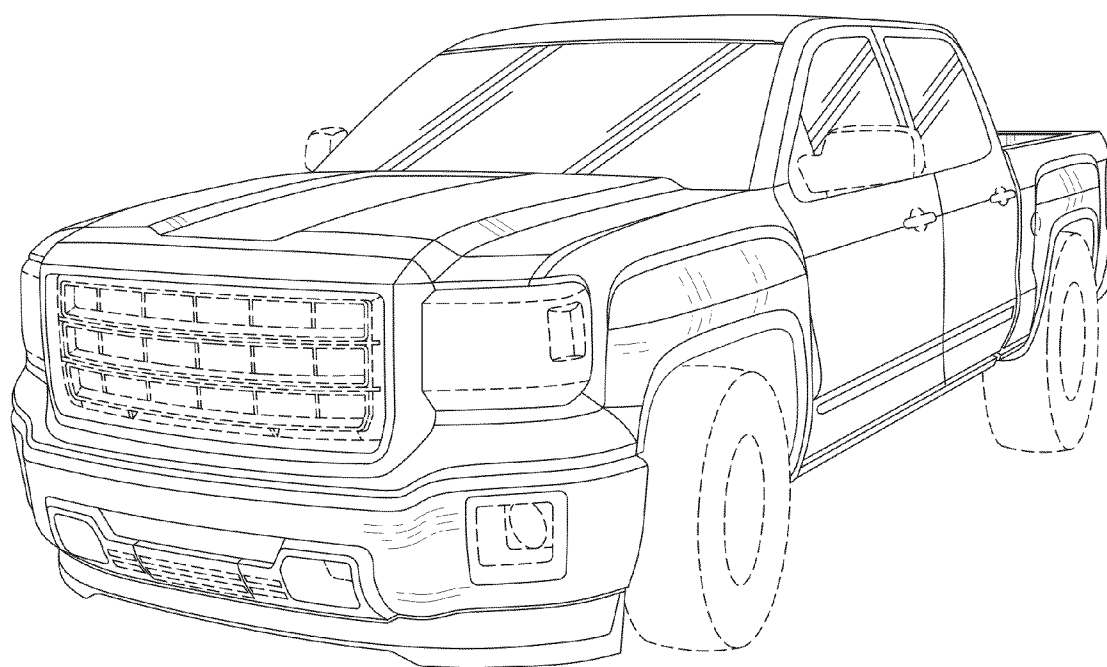


Fig-2

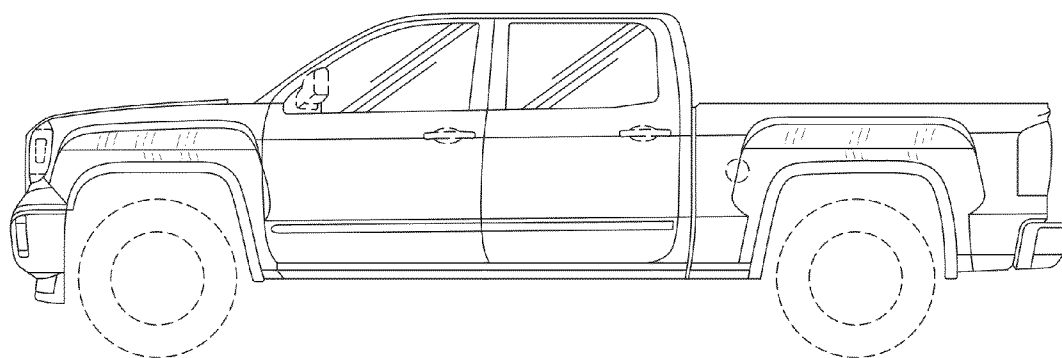


Fig-3

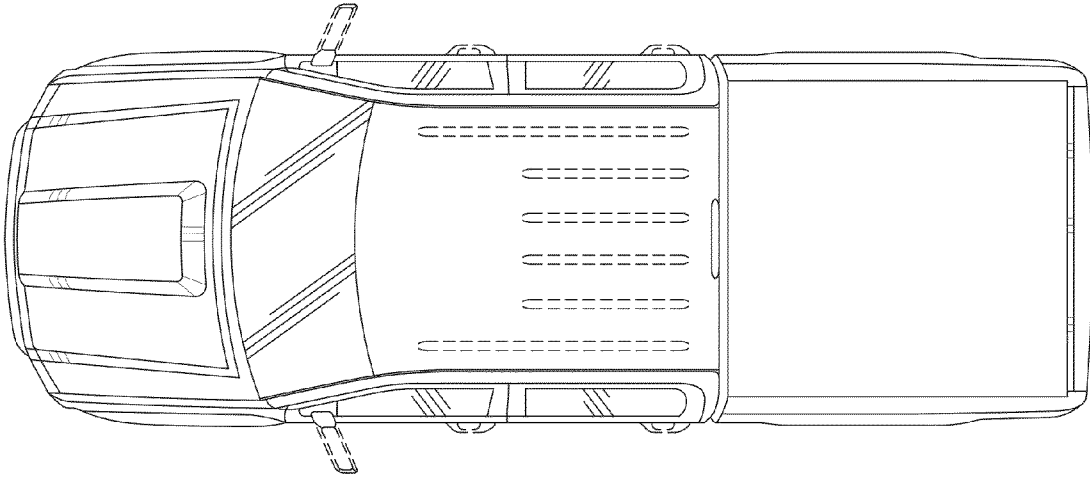


Fig-4

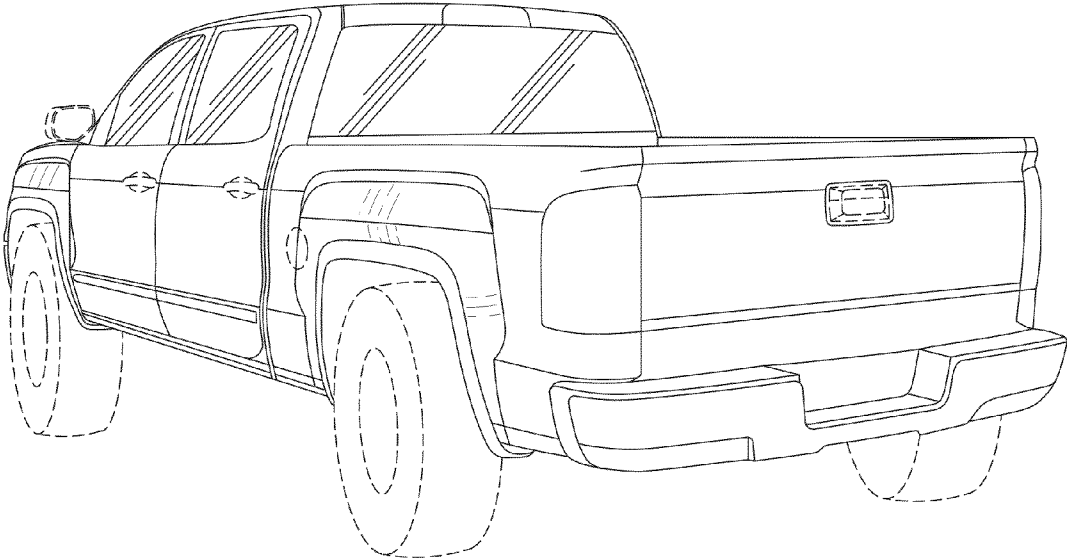


Fig-5

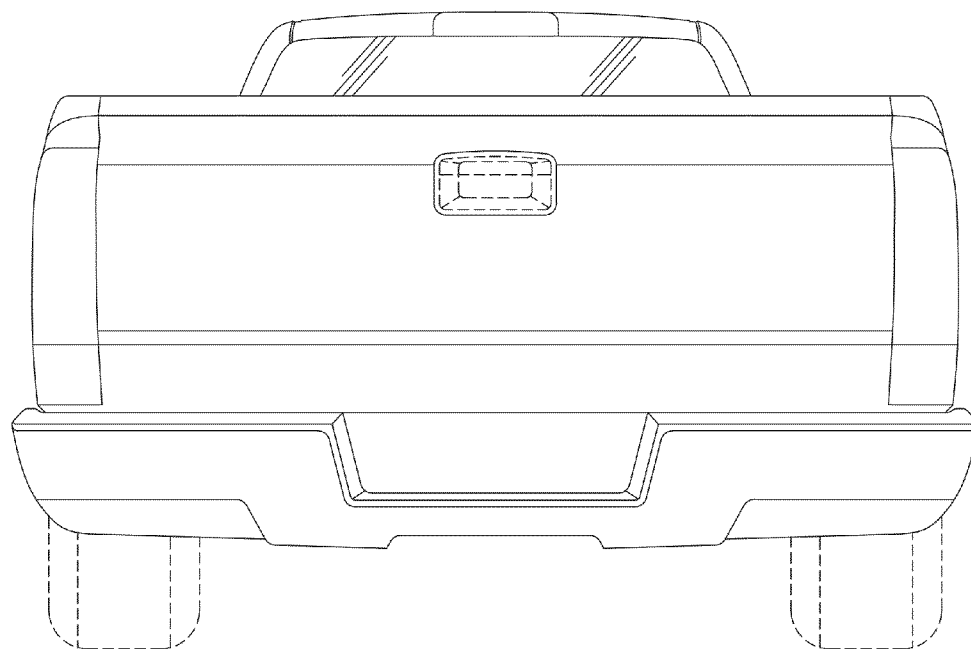


Fig-6