



US00D717656S

(12) **United States Design Patent**
Tiet

(10) **Patent No.:** **US D717,656 S**

(45) **Date of Patent:** **** Nov. 18, 2014**

(54) **BOTTLE**

(71) Applicant: **Kien C. Tiet**, City of Industry, CA (US)

(72) Inventor: **Kien C. Tiet**, City of Industry, CA (US)

(**) Term: **14 Years**

(21) Appl. No.: **29/469,507**

(22) Filed: **Oct. 10, 2013**

(51) **LOC (10) Cl.** **09-01**

(52) **U.S. Cl.**
USPC **D9/527**; D9/528

(58) **Field of Classification Search**

CPC B65D 1/023; B65D 1/0223; B65D 1/165;
B65D 1/40; B65D 1/44; B65D 7/04; B65D
25/00; B65D 25/28; B65D 41/0457; B65D
41/17; B65D 53/06; B65D 75/56; B65D
79/005; B65D 2501/0036; B65D 2543/00064;
B65D 2543/00074; B65D 2543/00083; B65D
2543/00092; B65D 2543/00101; B65D
2543/00111

USPC D9/516, 523, 524, 527, 528, 530, 531,
D9/541, 543, 551, 559, 560, 564, 572,
D9/575; 215/381-385; 220/660, 669, 679,
220/752; D23/211.1, 211.2

See application file for complete search history.

(56) **References Cited**

U.S. PATENT DOCUMENTS

D279,078 S *	6/1985	Franchi et al.	D9/528
D286,615 S *	11/1986	Lyons	D9/520
D287,226 S *	12/1986	Lyons	D9/528
D360,135 S *	7/1995	Balz	D9/528
D361,720 S *	8/1995	Rokus et al.	D9/527
D366,419 S *	1/1996	Hestehave et al.	D9/527
D370,379 S *	6/1996	Klein et al.	D9/527
D415,033 S *	10/1999	Forecast et al.	D9/528
D431,472 S *	10/2000	Cain et al.	D9/524
D528,425 S *	9/2006	Van Dorin et al.	D9/527
D569,476 S *	5/2008	Munlin	D23/211.1
D573,885 S *	7/2008	Considine et al.	D9/528
D687,712 S *	8/2013	Juna et al.	D9/528

* cited by examiner

Primary Examiner — Keli L Hill

(74) *Attorney, Agent, or Firm* — Michael N. Cohen; Cohen IP Law Group P.C.

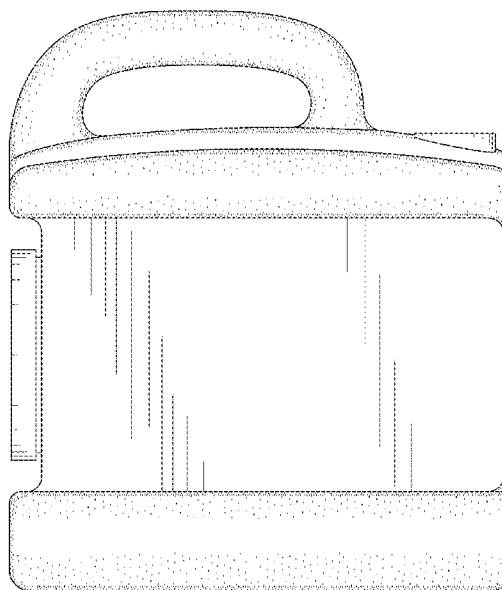
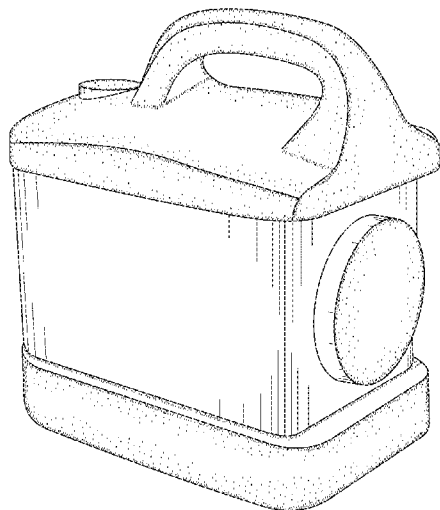
(57) **CLAIM**

I claim the ornamental design for the bottle, as shown and described.

DESCRIPTION

FIG. 1 is a perspective view of the bottle;
FIG. 2 is a front view of FIG. 1;
FIG. 3 is a back view of FIG. 1;
FIG. 4 is a right side view of FIG. 1;
FIG. 5 is a left side view of FIG. 1;
FIG. 6 is a top view of FIG. 1; and,
FIG. 7 is a bottom view of FIG. 1.

1 Claim, 7 Drawing Sheets



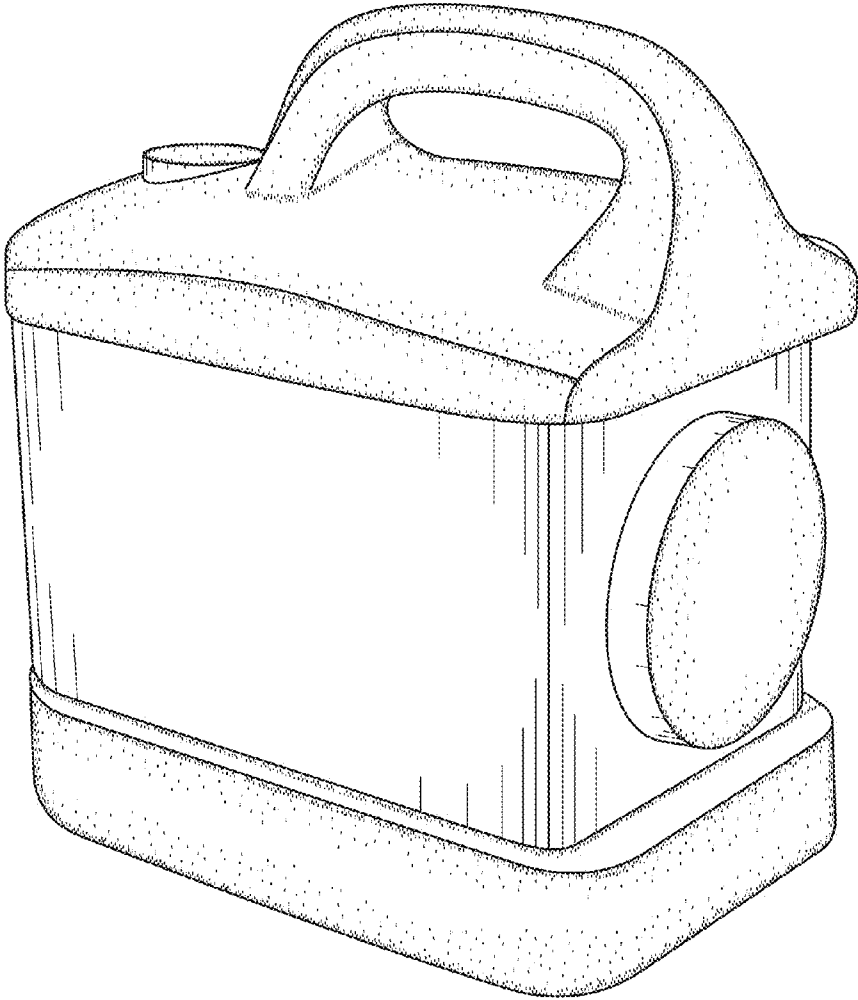


FIG. 1

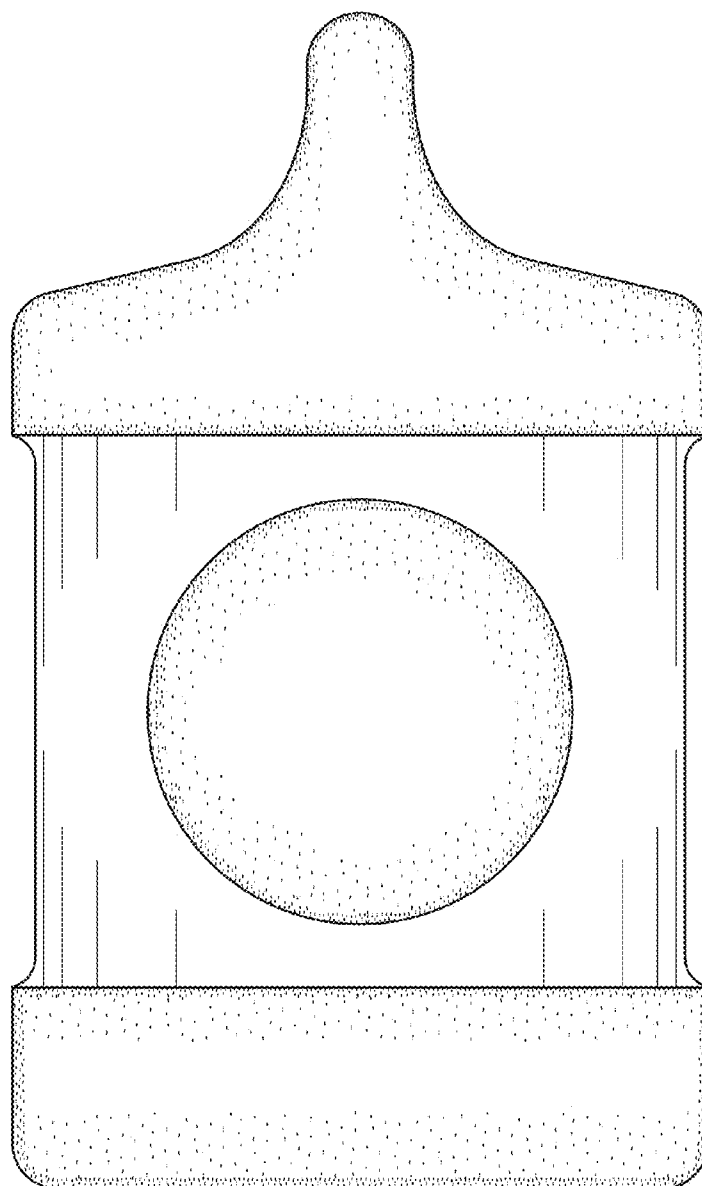


FIG. 2

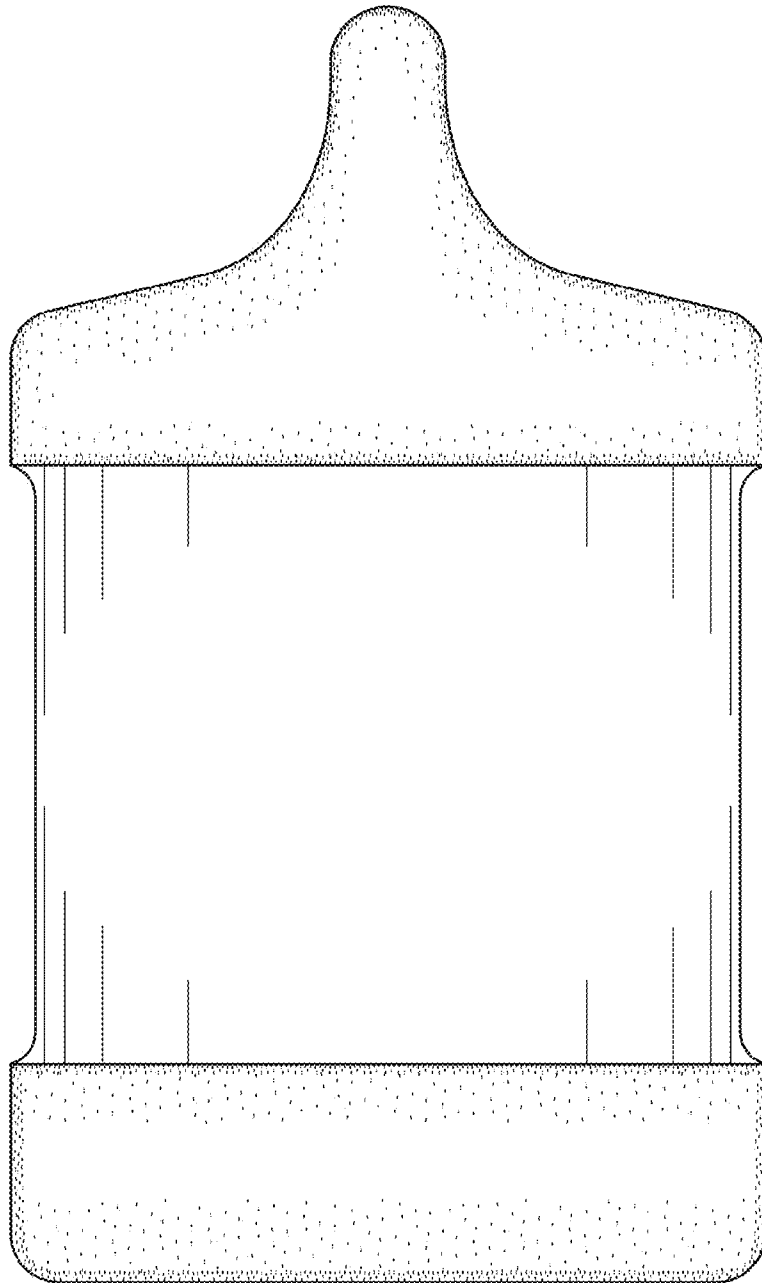


FIG. 3

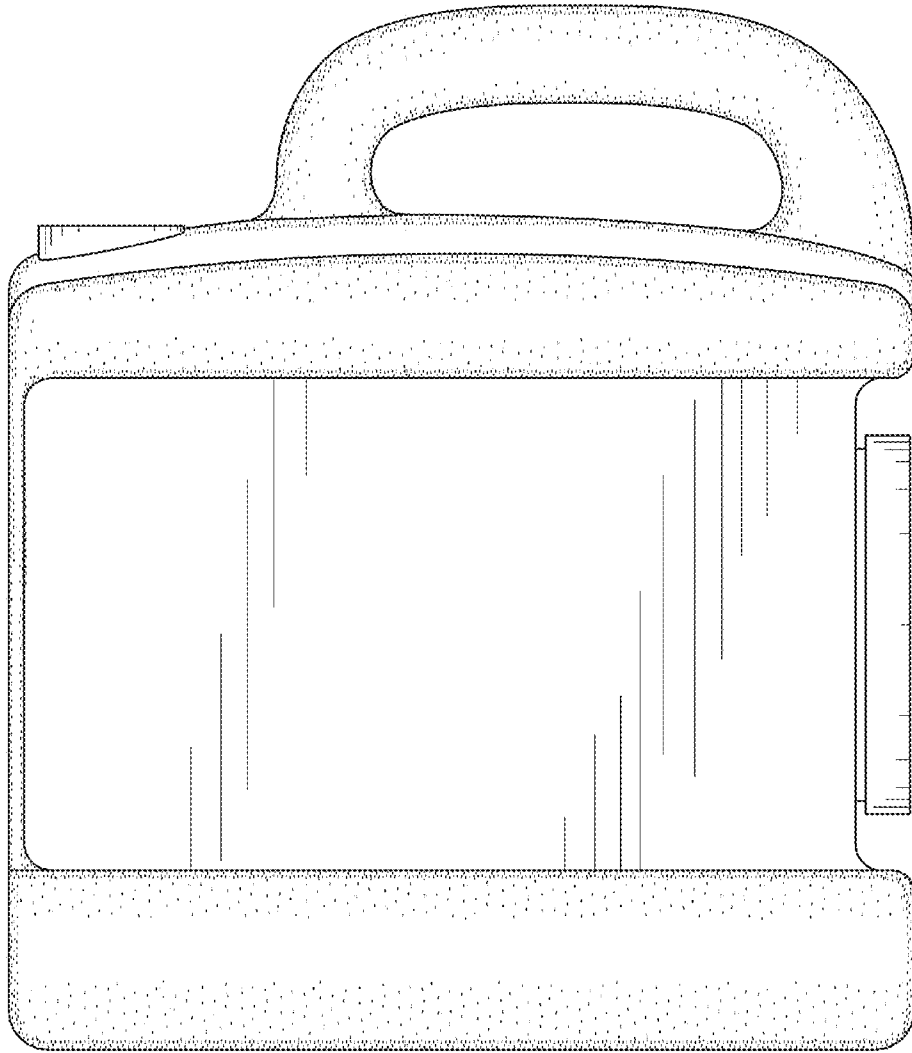


FIG. 4

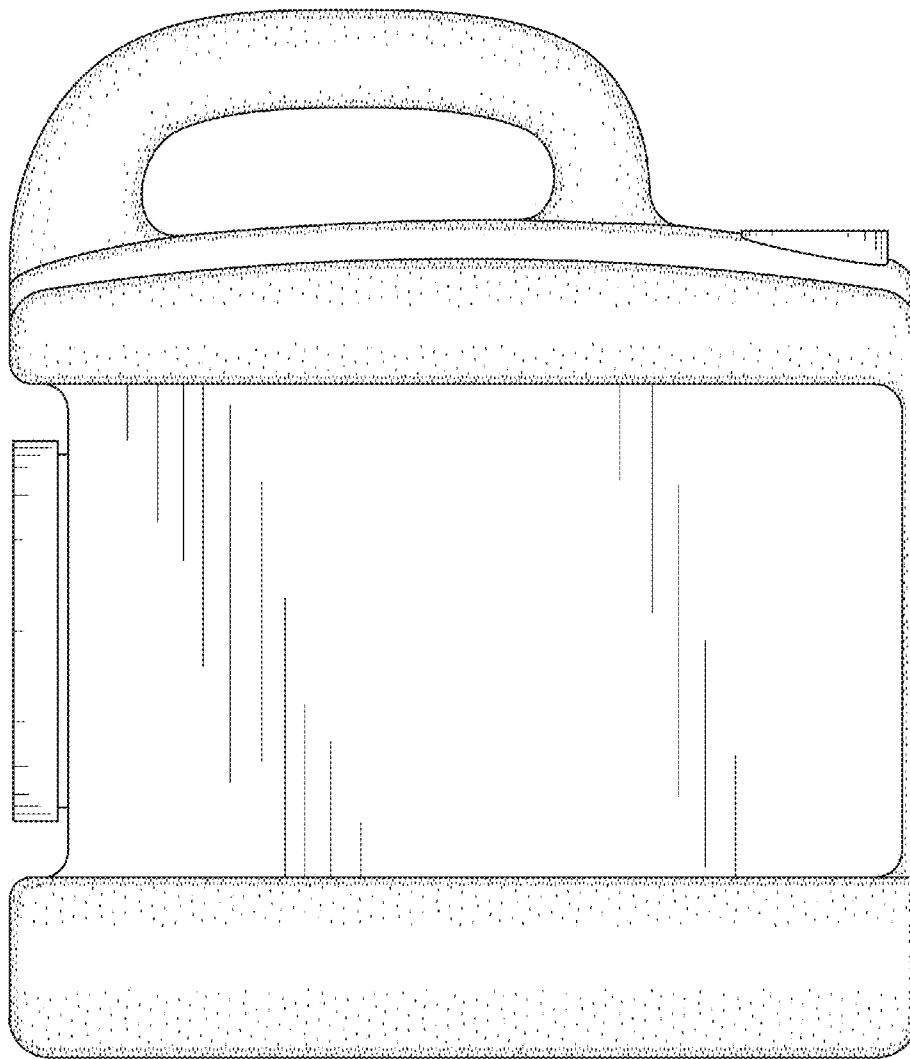


FIG. 5

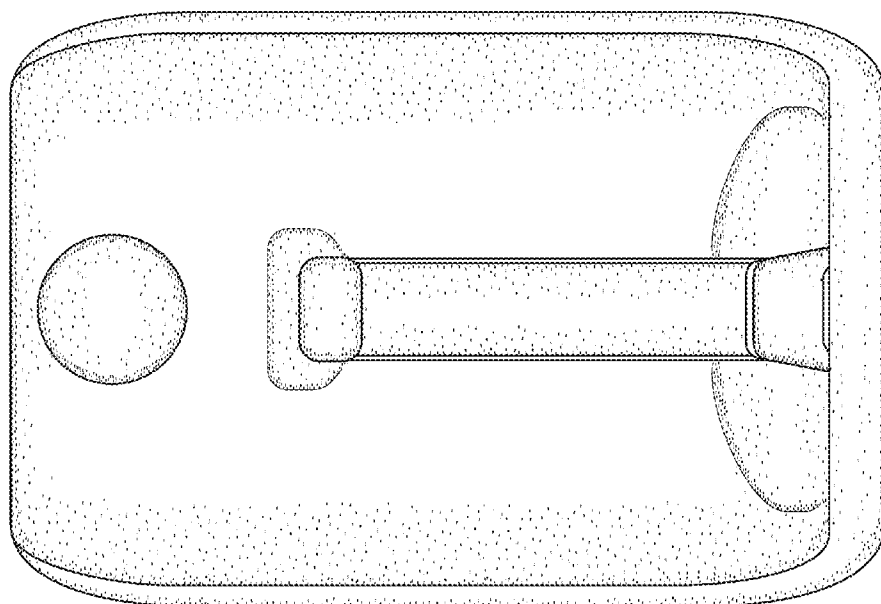


FIG. 6

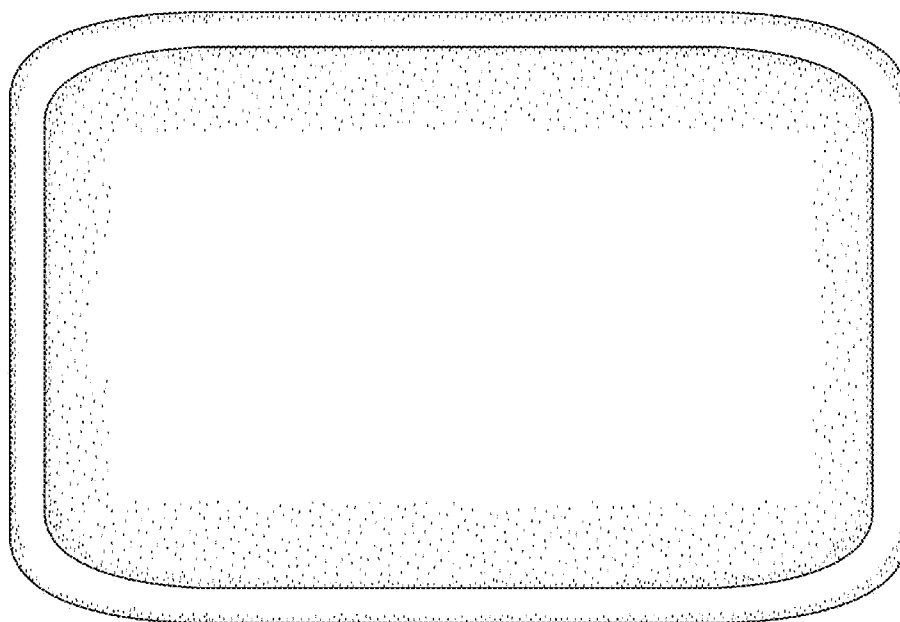


FIG. 7