

(19) World Intellectual Property Organization
International Bureau



(43) International Publication Date
15 November 2007 (15.11.2007)

PCT

(10) International Publication Number
WO 2007/129318 A3

(51) International Patent Classification:
G06F 19/00 (2006.01) *G06F 7/00* (2006.01)
G06F 17/00 (2006.01)

(74) Agents: GADOR, Deborah et al.; Blum, Gador & Co.,
53 Derech Hashalom, Havered Tower, 23rd Floor, 53454
Givatayim (IL).

(21) International Application Number:
PCT/IL2007/000549

(81) Designated States (unless otherwise indicated, for every
kind of national protection available): AE, AG, AL, AM,
AT, AU, AZ, BA, BB, BG, BH, BR, BW, BY, BZ, CA, CH,
CN, CO, CR, CU, CZ, DE, DK, DM, DZ, EC, EE, EG, ES,
FI, GB, GD, GE, GH, GM, GT, HN, HR, HU, ID, IL, IN,
IS, JP, KE, KG, KM, KN, KP, KR, KZ, LA, LC, LK, LR,
LS, LT, LU, LY, MA, MD, MG, MK, MN, MW, MX, MY,
MZ, NA, NG, NI, NO, NZ, OM, PG, PH, PL, PT, RO, RS,
RU, SC, SD, SE, SG, SK, SL, SM, SV, SY, TJ, TM, TN,
TR, TT, TZ, UA, UG, US, UZ, VC, VN, ZA, ZM, ZW.

(22) International Filing Date: 6 May 2007 (06.05.2007)

(25) Filing Language: English

(26) Publication Language: English

(30) Priority Data:
60/798,278 6 May 2006 (06.05.2006) US
60/798,279 6 May 2006 (06.05.2006) US

(84) Designated States (unless otherwise indicated, for every
kind of regional protection available): ARIPO (BW, GH,
GM, KE, LS, MW, MZ, NA, SD, SL, SZ, TZ, UG, ZM,
ZW), Eurasian (AM, AZ, BY, KG, KZ, MD, RU, TJ, TM),
European (AT, BE, BG, CH, CY, CZ, DE, DK, EE, ES, FI,
FR, GB, GR, HU, IE, IS, IT, LT, LU, LV, MC, MT, NL, PL,
PT, RO, SE, SI, SK, TR), OAPI (BF, BJ, CF, CG, CI, CM,
GA, GN, GQ, GW, ML, MR, NE, SN, TD, TG).

(71) Applicant (for all designated States except US): IRODY
INC [—/US]; 19 Heritage Drive, Lexington, MA 02420
(US).

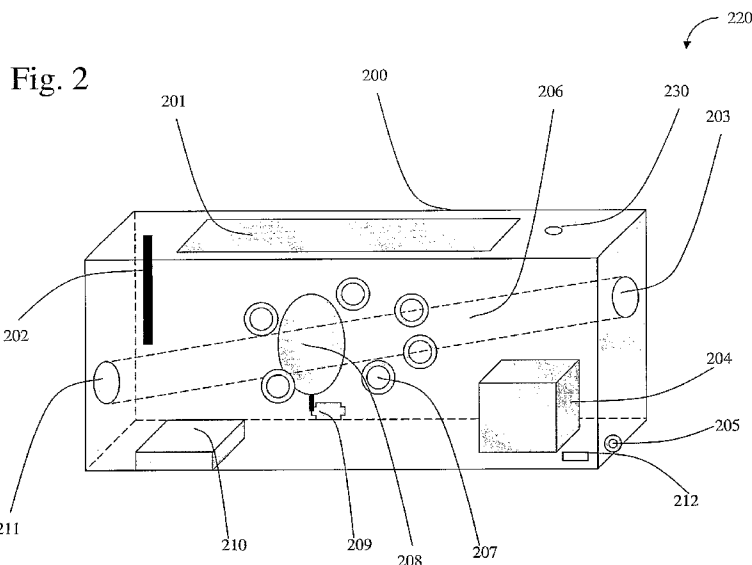
(72) Inventors; and

(75) Inventors/Applicants (for US only): BARTFELD,
EYAL [IL/IL]; 20 Hadarim St, 76804 Mazkeret Batia (IL).
LASS, AMIR; 14 Sandringham Road, London Greater
London NW11 9DP (GB).

Published:
— with international search report

(88) Date of publication of the international search report:
22 May 2009

(54) Title: APPARATUS AND METHOD FOR OBTAINING AN IDENTIFICATION OF DRUGS FOR ENHANCED SAFETY



(57) Abstract: A device for identifying a drug, the device including at least one sensor for sensing and recording selected characteristics of a drug to be identified for compatibility with a pre-selected drug regimen, elements for transferring the recorded characteristics for analysis, elements for receiving analyzed data of the recorded characteristics, and a display for displaying the received data.

WO 2007/129318 A3

INTERNATIONAL SEARCH REPORT

International application No.

PCT/IL07/00549

A. CLASSIFICATION OF SUBJECT MATTER

IPC: **G06F 19/00(2006.01),G06F 17/00,G06F 7/00**

USPC: **705/3,235/375,707/1**

According to International Patent Classification (IPC) or to both national classification and IPC

B. FIELDS SEARCHED

Minimum documentation searched (classification system followed by classification symbols)

U.S. : 705/3; 235/375;707/1

Documentation searched other than minimum documentation to the extent that such documents are included in the fields searched

Electronic data base consulted during the international search (name of data base and, where practicable, search terms used)
Please See Continuation Sheet

C. DOCUMENTS CONSIDERED TO BE RELEVANT

Category *	Citation of document, with indication, where appropriate, of the relevant passages	Relevant to claim No.
X	US 5,845,264 A (NELHAUS) 01 DECEMBER 1998 (01.12.1998), col. 2, lines 57-col. 6, lines 19.	1-22
Y	US 2001/0034613 A1 (RUBSAMEN) 25 OCTOBER 2001 (25.10.2001), par. 8-34	1-22
Y	US 2004/0054639 A1 (MUNO, JR. et al) 18 March 2004 (18.03.2004), par. 29-163	1-22

Further documents are listed in the continuation of Box C. See patent family annex.

* Special categories of cited documents:			
"A"	document defining the general state of the art which is not considered to be of particular relevance	"T"	later document published after the international filing date or priority date and not in conflict with the application but cited to understand the principle or theory underlying the invention
"E"	earlier application or patent published on or after the international filing date	"X"	document of particular relevance; the claimed invention cannot be considered novel or cannot be considered to involve an inventive step when the document is taken alone
"L"	document which may throw doubts on priority claim(s) or which is cited to establish the publication date of another citation or other special reason (as specified)	"Y"	document of particular relevance; the claimed invention cannot be considered to involve an inventive step when the document is combined with one or more other such documents, such combination being obvious to a person skilled in the art
"O"	document referring to an oral disclosure, use, exhibition or other means	"&"	document member of the same patent family
"P"	document published prior to the international filing date but later than the priority date claimed		

Date of the actual completion of the international search 18 June 2008 (18.06.2008)	Date of mailing of the international search report 08 AUG 2008
Name and mailing address of the ISA/US Mail Stop PCT, Attn: ISA/US Commissioner for Patents P.O. Box 1450 Alexandria, Virginia 22313-1450 Facsimile No. (571) 273-3201	Authorized officer <i>for</i> (Christopher) Luke Gilligan <i>SBURMAN</i> Telephone No. 571-272-3600

INTERNATIONAL SEARCH REPORT

International application No.
PCT/IL07/00549

Continuation of B. FIELDS SEARCHED Item 3:

EAST: regimen or program or compliance or compliant or treatment; drug or medication or medicament or pill or capsule; barcode or imprint or stamp or scan