



US0D1012902S

(12) **United States Design Patent**  
**Wu et al.**

(10) **Patent No.:** **US D1,012,902 S**

(45) **Date of Patent:** **\*\* Jan. 30, 2024**

- (54) **DOCKING STATION**
- (71) Applicant: **Beijing Unicorn Technology Co., Ltd.**,  
Beijing (CN)
- (72) Inventors: **Yuanyuan Wu**, Beijing (CN); **Yafeng Zhou**, Beijing (CN)
- (73) Assignee: **BEIJING UNICORN TECHNOLOGY CO., LTD**, Beijing (CN)
- (\*\*) Term: **15 Years**

D589,876 S *	4/2009	Hong	.....	D13/108
D592,187 S *	5/2009	Ledbetter	.....	D14/217
D648,707 S *	11/2011	Akana	.....	D14/434
D669,460 S *	10/2012	Wikel	.....	D14/253
D687,377 S *	8/2013	Huang	.....	D13/108
D844,619 S *	4/2019	Wendling	.....	D14/434
D849,008 S *	5/2019	Wendling	.....	D14/434
D983,169 S *	4/2023	King	.....	D14/217

\* cited by examiner

*Primary Examiner* — Khawaja Anwar

(74) *Attorney, Agent, or Firm* — CANTOR COLBURN LLP

- (21) Appl. No.: **29/832,761**
- (22) Filed: **Mar. 30, 2022**

(57) **CLAIM**

We claim, the ornamental design for a docking station, as shown and described.

(30) **Foreign Application Priority Data**

Sep. 30, 2021 (CN) ..... 202130652813.X

(51) **LOC (14) Cl.** ..... **14-03**

(52) **U.S. Cl.**  
USPC ..... **D14/217**

(58) **Field of Classification Search**  
USPC ..... D14/240, 242, 217; D11/40, 41, 42,  
D11/78.1, 79, 85, 88; D16/237, 239;  
D26/51, 52, 60  
CPC ..... G03B 15/02; F21L 4/00; F21V 23/0414;  
F21V 21/08; H04N 7/142; H04N  
1/00307; H04M 1/0264; F21Y 2101/02  
See application file for complete search history.

**DESCRIPTION**

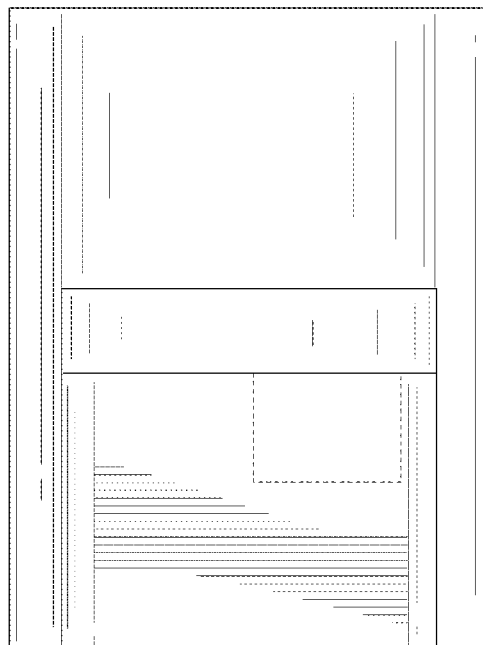
FIG. 1 is a front view of a docking station, showing our new design;  
FIG. 2 is a rear view thereof;  
FIG. 3 is a left side view thereof;  
FIG. 4 is a right side view thereof;  
FIG. 5 is a top view thereof;  
FIG. 6 is a bottom view thereof;  
FIG. 7 is a perspective view thereof;  
FIG. 8 is another perspective view thereof; and,  
FIG. 9 is a partial enlarged view of the indicated portion of FIG. 6.  
Portions shown in broken lines form no part of the claimed design.

(56) **References Cited**

**U.S. PATENT DOCUMENTS**

D328,277 S *	7/1992	Leman	.....	D13/108
D445,399 S *	7/2001	Kolinen	.....	D13/107

**1 Claim, 9 Drawing Sheets**



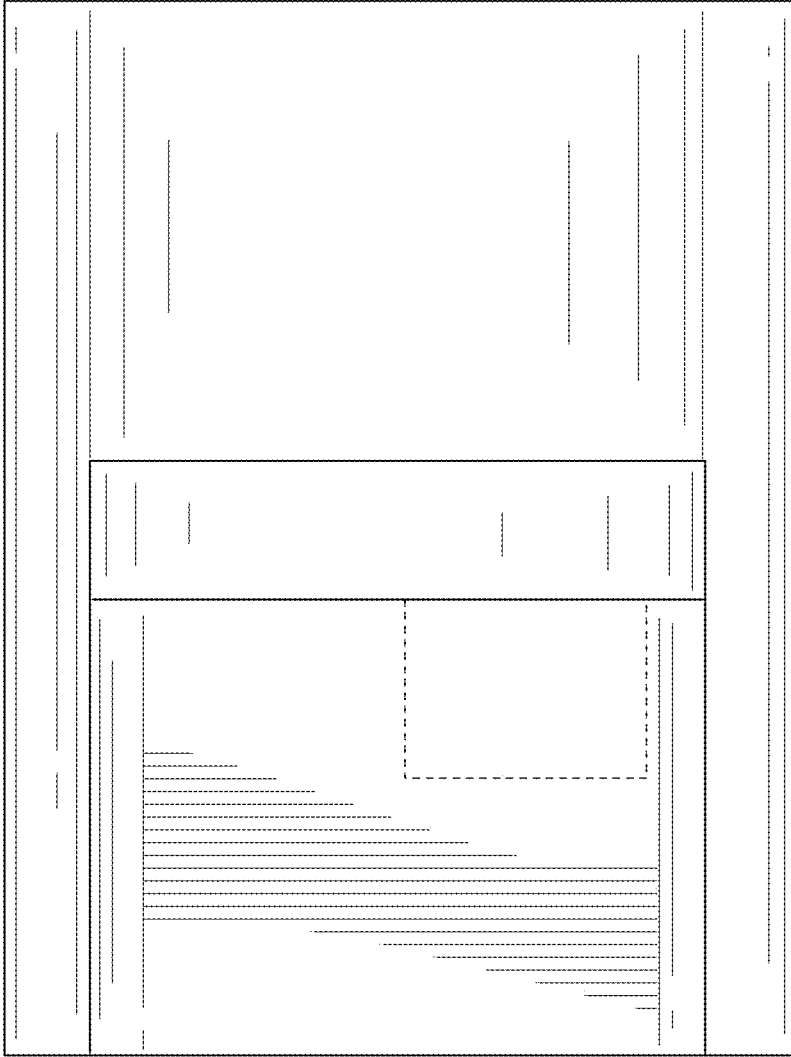


FIG. 1

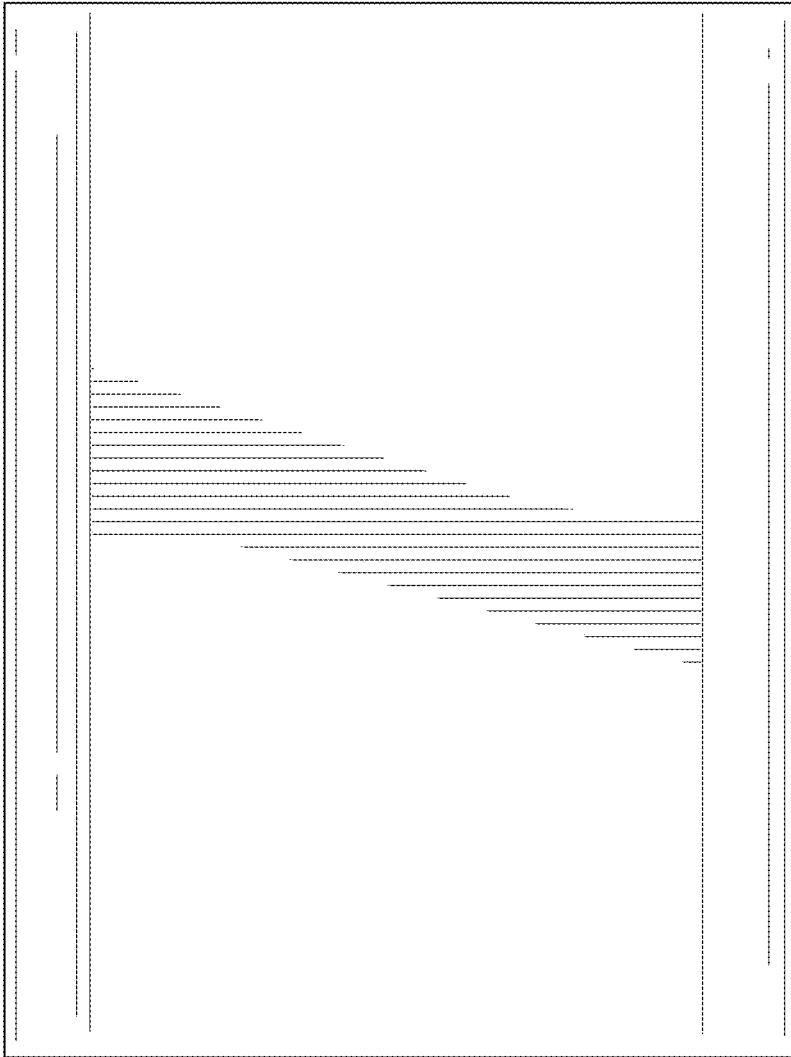


FIG. 2

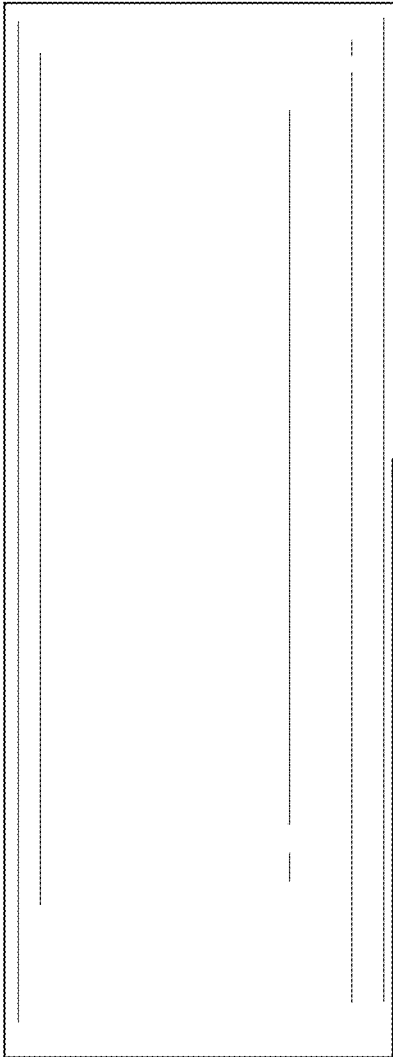


FIG. 3

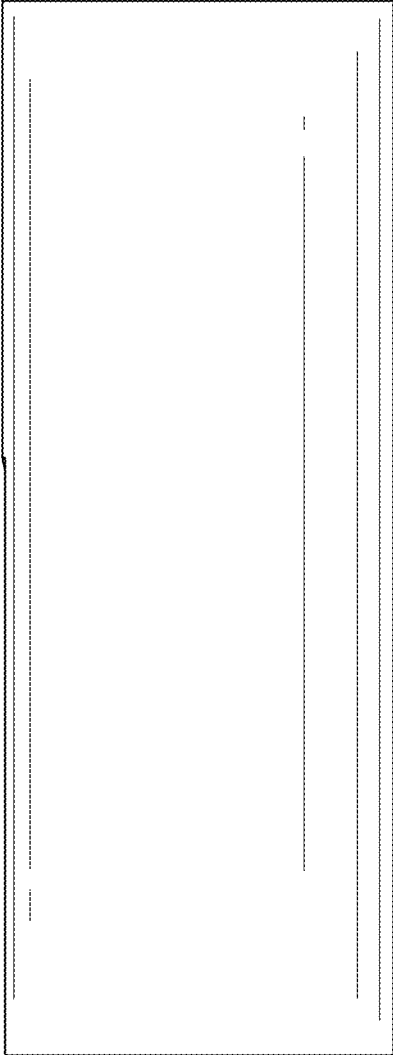


FIG. 4

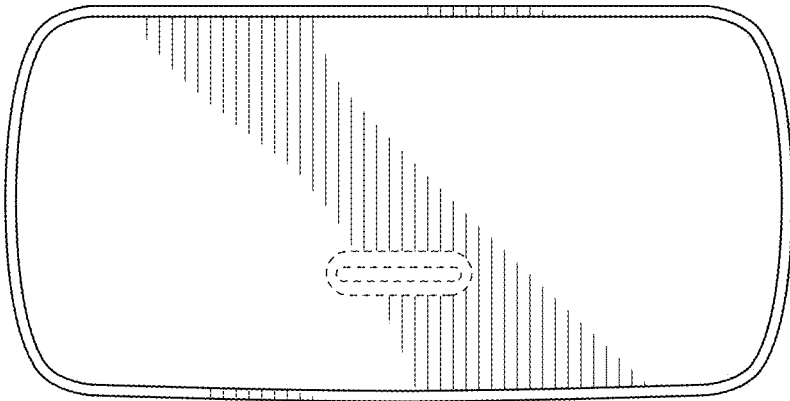


FIG. 5

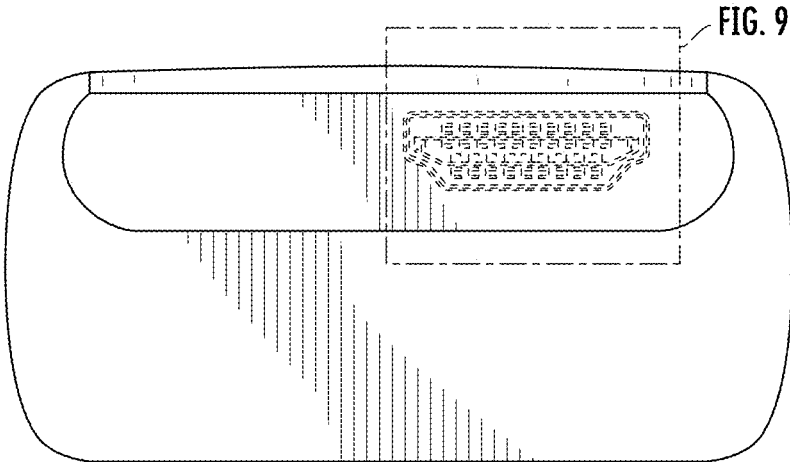


FIG. 6

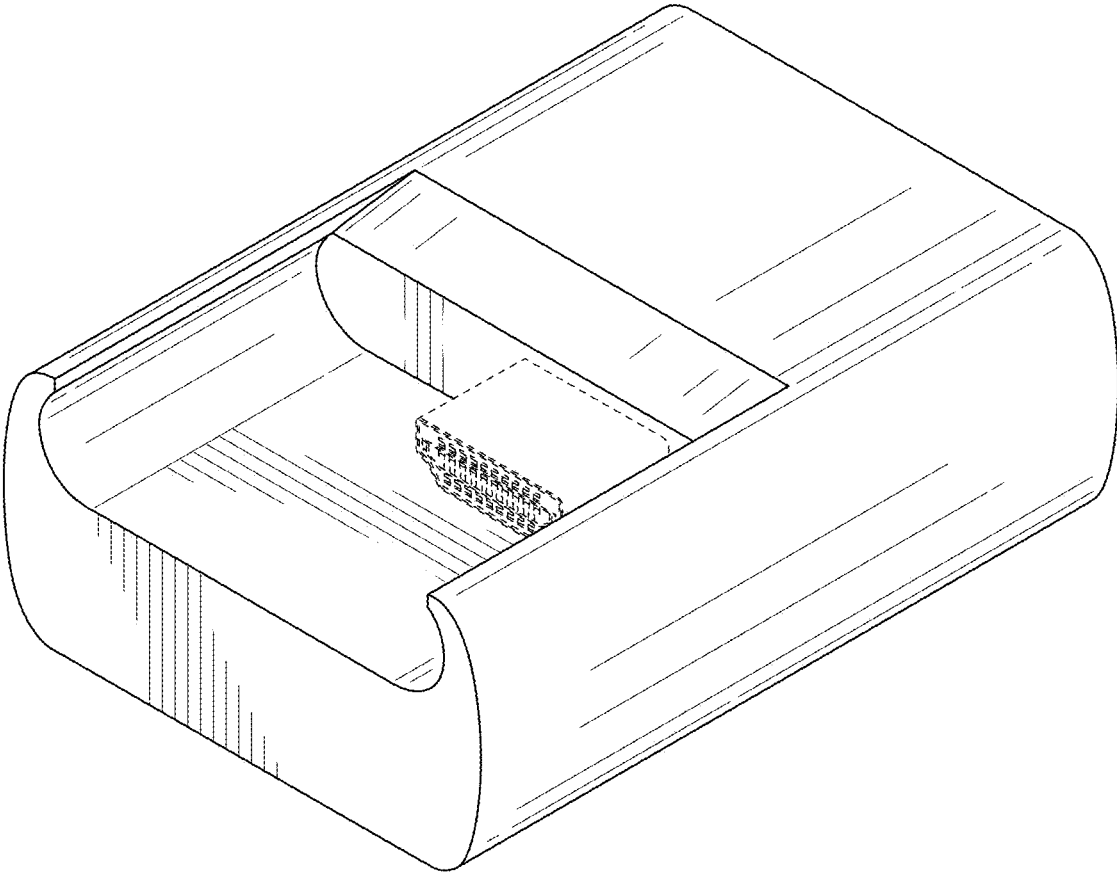


FIG. 7

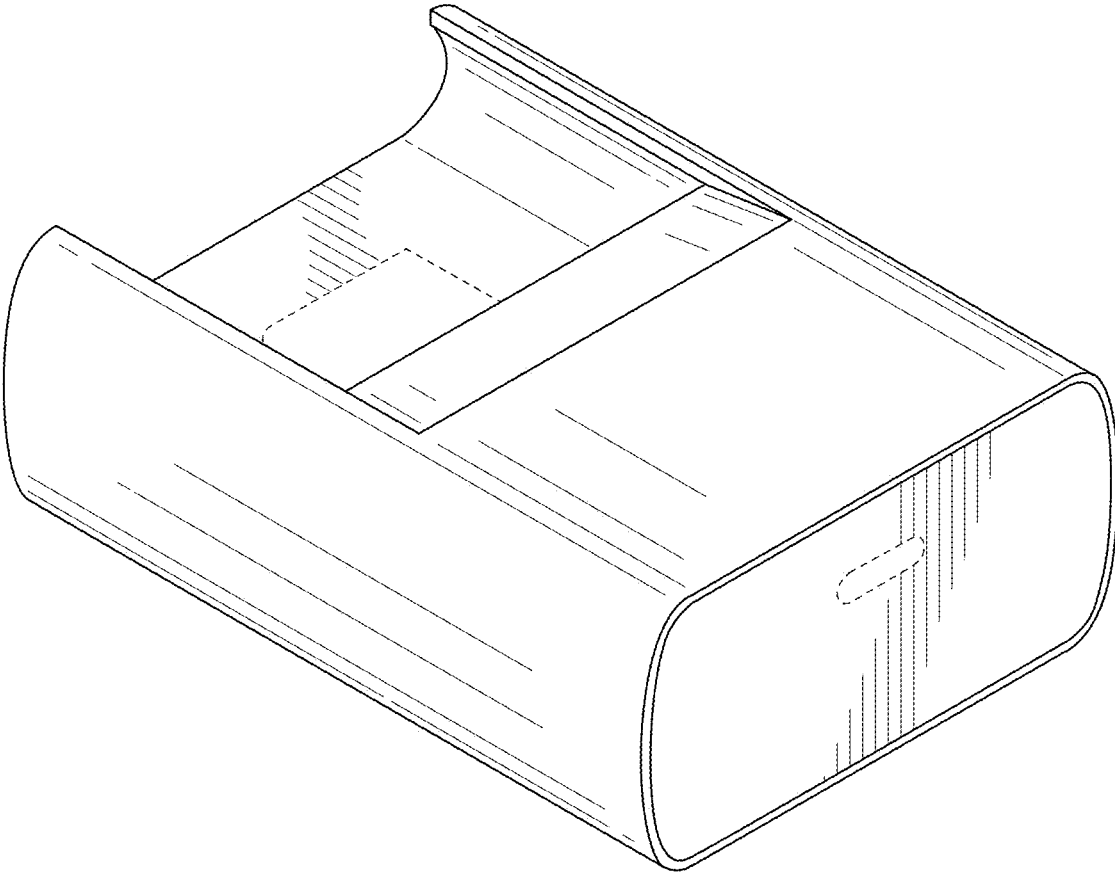


FIG. 8

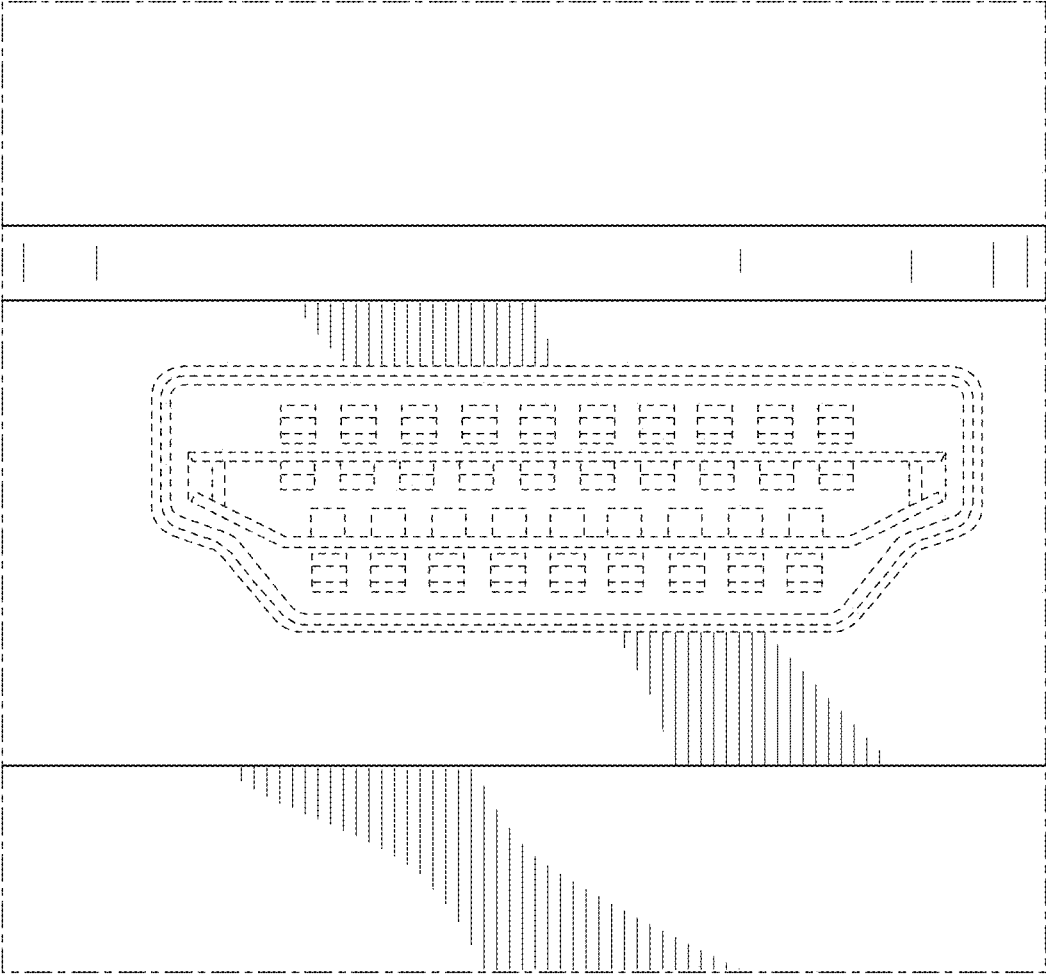


FIG. 9