



US00D347536S

# United States Patent [19]

[11] Patent Number: Des. 347,536

Berreth

[45] Date of Patent: \*\* Jun. 7, 1994

[54] BATHROOM UTILITY CONTAINER

D. 340,373	10/1933	Konkin .....	D6/518
1,905,069	4/1933	Stair .....	D6/540 X
4,934,640	6/1990	Bishon .....	206/77.1

[76] Inventor: **Ronald D. Berreth**, 6630 Ranchview Drive NW., Calgary, Alberta, Canada, T3G 1A2

*Primary Examiner*—Brian N. Vinson  
*Attorney, Agent, or Firm*—George H. Dunsmuir

[\*\*] Term: **14 Years**

[57] **CLAIM**

[21] Appl. No.: **881,198**

The ornamental design for a bathroom utility container, as shown and described.

[22] Filed: **May 11, 1992**

[52] U.S. Cl. .... **D6/524**

[58] Field of Search ..... **D6/524-525, D6/536, 540, 552-553, 559, 567; 206/77.1, 207, 38, 6.1, 387, 37, 823, 829**

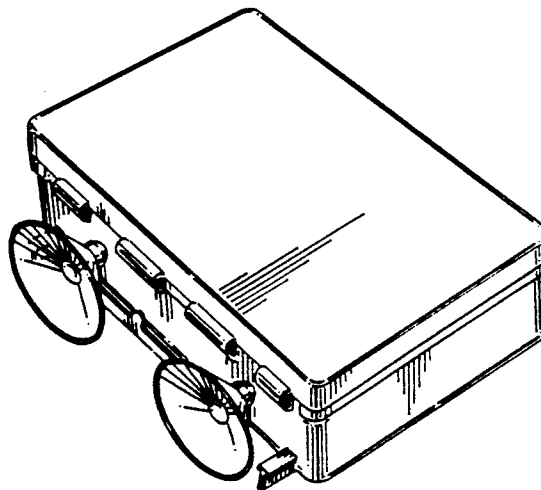
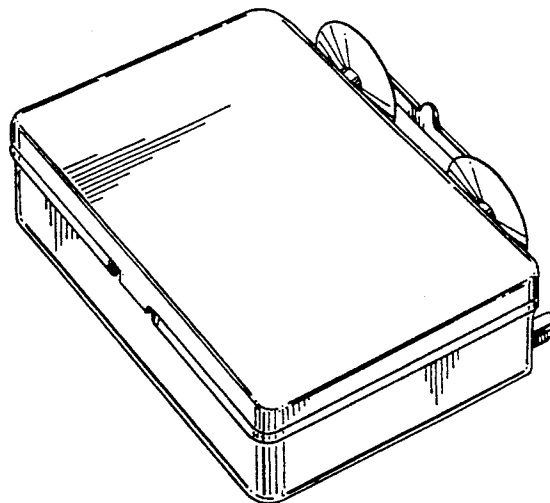
### DESCRIPTION

FIG. 1 is a top, front, and right side perspective view of a bathroom utility container showing my new design; FIG. 2 is a top, rear, and left side perspective view thereof; FIG. 3 is a top plan view thereof; FIG. 4 is a bottom plan view thereof; FIG. 5 is a front elevational view thereof; FIG. 6 is a rear elevational view thereof; and, FIG. 7 is a left side elevational view thereof, the right side being a mirror image of that shown.

### [56] References Cited

#### U.S. PATENT DOCUMENTS

D. 157,947	4/1950	Egerman .....	D6/534
D. 201,788	8/1965	Robertson .....	D6/527
D. 207,095	3/1967	Smith .....	D6/526
D. 221,543	8/1971	Lassen .....	D6/534



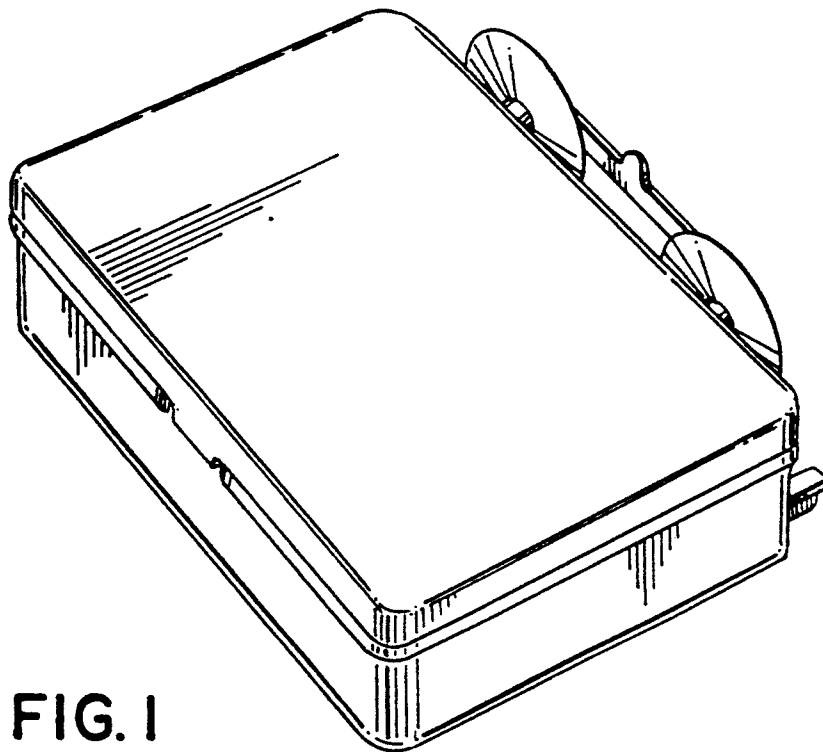


FIG. 1

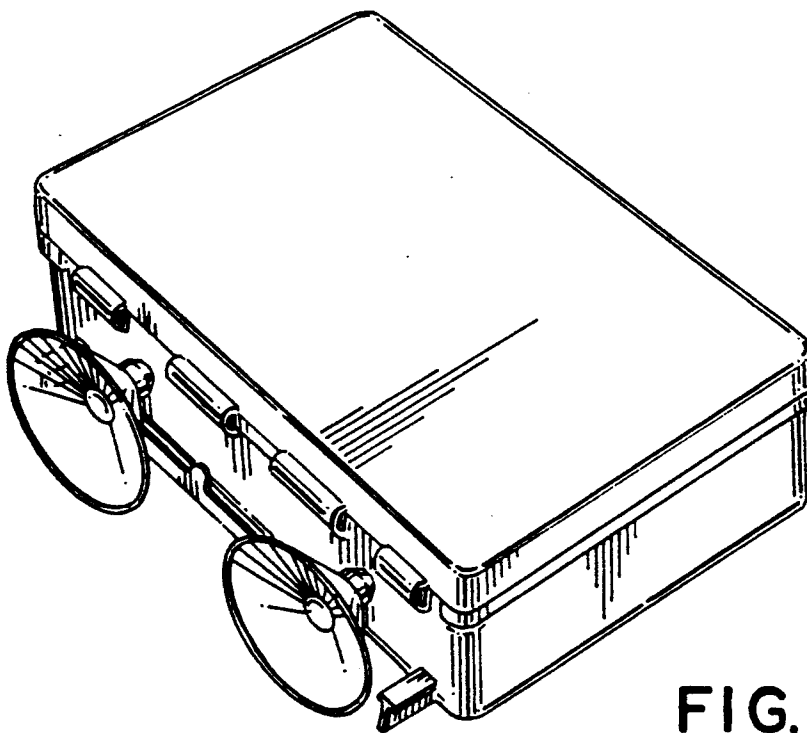


FIG. 2

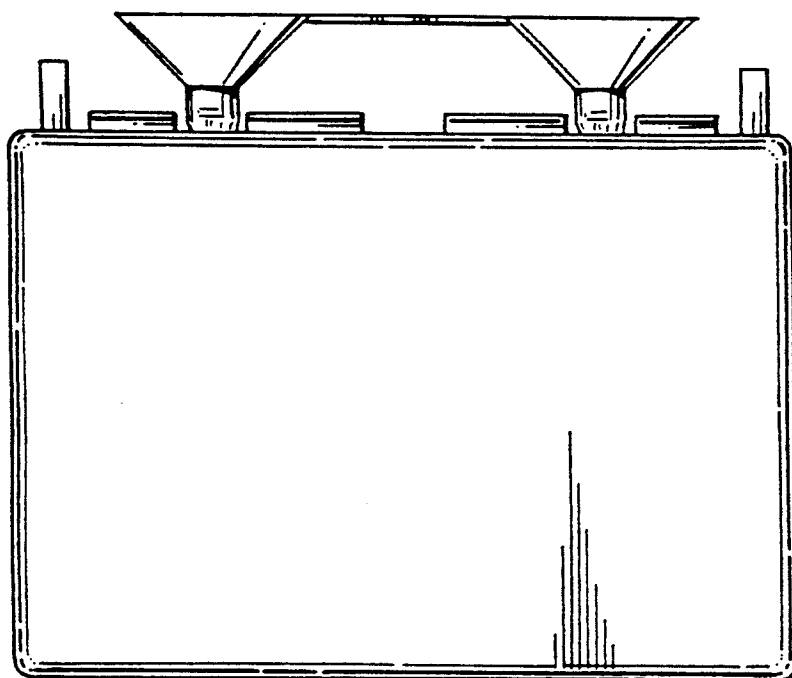


FIG. 3

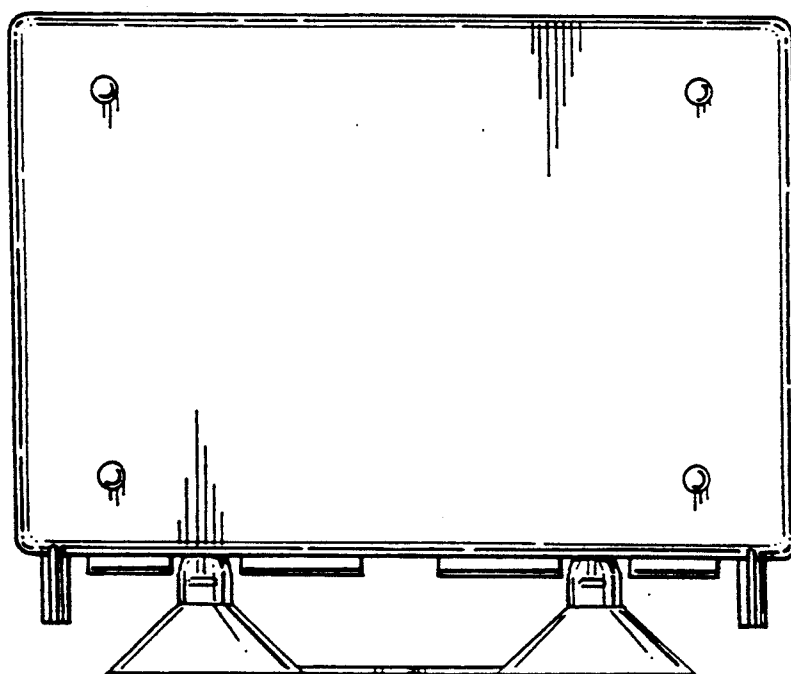


FIG. 4

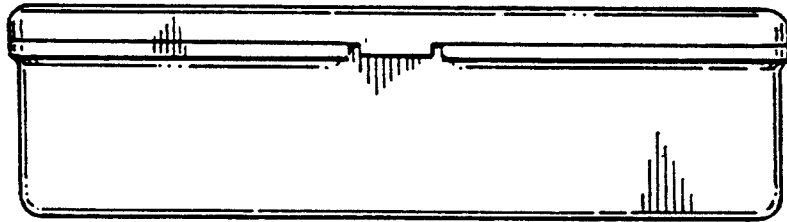


FIG. 5

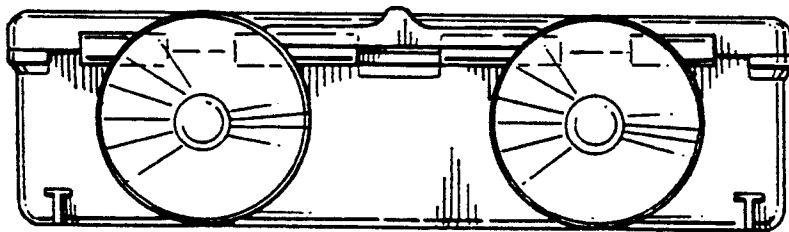


FIG. 6

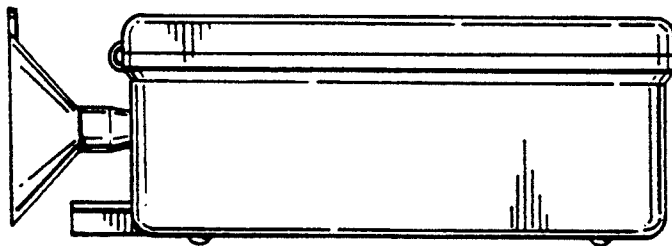


FIG. 7