



US00D632535S

(12) **United States Design Patent**  
**Kriz et al.**

(10) **Patent No.:** **US D632,535 S**

(45) **Date of Patent:** **\*\* \*Feb. 15, 2011**

- (54) **ROTARY RATCHET WRENCH**
- (75) Inventors: **Anthony Kriz**, Lone Tree, CO (US);  
**YaoKun Gui**, Shanghai (CN); **Brent Christopher**, Portland, OR (US); **Mark Holtan**, Centennial, CO (US)
- (73) Assignee: **Meridian International Co., Ltd.** (CN)
- (\*\*) Term: **14 Years**
- (21) Appl. No.: **29/361,537**
- (22) Filed: **May 12, 2010**

**Related U.S. Application Data**

- (63) Continuation of application No. 12/617,200, filed on Nov. 12, 2009.

- (51) **LOC (9) Cl.** ..... **08-05**
- (52) **U.S. Cl.** ..... **D8/28**
- (58) **Field of Classification Search** ..... D8/17,  
D8/21-29, 354, 107; 81/60, 177.1, 177.85,  
81/121.1, 124.3, 165-170, 110.1, 176.2,  
81/124.6, 176.1, 176.15, 177.2, 186; 16/110.1;  
D15/144.1, 143; 219/75, 227, 229, 121.16,  
219/121.18

See application file for complete search history.

(56) **References Cited**

**U.S. PATENT DOCUMENTS**

65,550 A	6/1867	Dunlan	
278,053 A	5/1883	Shipherd	
0,915,446 A	3/1909	Kearnes	
D53,597 S	7/1919	Marcmann	
D57,323 S	3/1921	Evans	
1,453,607 A	5/1923	Saucier	
1,571,148 A *	1/1926	Sisolak	81/124.5
1,796,083 A	3/1931	Carlberg	
1,811,137 A *	6/1931	Kress	81/124.3
2,028,561 A *	1/1936	Pilger	81/177.9
2,500,835 A	3/1950	Lang	
2,628,522 A *	2/1953	Kraft	81/125.1
2,712,258 A	7/1955	Keith	

2,751,802 A	6/1956	Reuillard	
2,769,360 A	11/1956	Cottrell	
2,951,405 A *	9/1960	Engquist	81/440
D224,677 S	8/1972	Lehnhardt	
4,748,875 A	6/1988	Lang	
D299,206 S	1/1989	Krapowicz	
4,901,608 A	2/1990	Shieh	
4,916,987 A	4/1990	Le Duc	
5,119,701 A	6/1992	Wei	
D332,730 S	1/1993	Usuda	
5,199,335 A	4/1993	Arnold et al.	
5,568,751 A	10/1996	Lee	
5,636,557 A	6/1997	Ma	
5,636,577 A	6/1997	Ma	
5,848,561 A	12/1998	Hsieh	
6,000,302 A	12/1999	Chiang	
6,050,165 A	4/2000	Hall	
6,134,990 A	10/2000	Ling et al.	

(Continued)

**OTHER PUBLICATIONS**

Sears, Craftsman DOG BONE SAE Wrench, Webpage—Product Description.

(Continued)

*Primary Examiner*—Raphael Barkai  
*Assistant Examiner*—Randall Gholson  
 (74) *Attorney, Agent, or Firm*—Jason R. Sytsma; Shuttleworth & Ingersoll, PLC

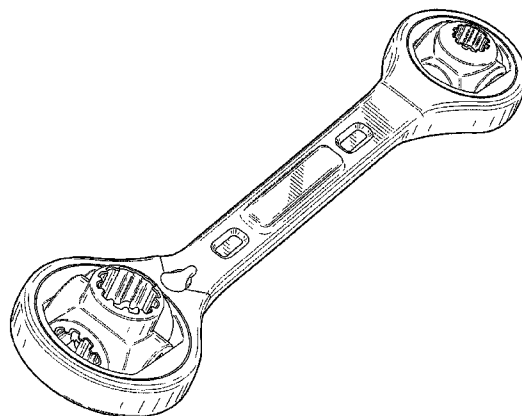
(57) **CLAIM**

The ornamental design for a rotary ratchet wrench, as shown.

**DESCRIPTION**

FIG. 1 is a perspective view thereof;  
 FIG. 2 is a top view thereof;  
 FIG. 3 is a side view thereof; and,  
 FIG. 4 is a front view thereof.

**1 Claim, 2 Drawing Sheets**



# US D632,535 S

Page 2

## U.S. PATENT DOCUMENTS

6,282,992	B1	9/2001	Hu	7,231,851	B2	6/2007	Tuan-Mu	
6,295,898	B1	10/2001	Hsieh	7,237,460	B2	7/2007	Hu	
6,405,621	B1	6/2002	Krivec et al.	D551,525	S *	9/2007	Desbrunes .....	D8/28
6,453,779	B2	9/2002	Hu	7,267,033	B1	9/2007	Lai et al.	
6,626,067	B1	9/2003	Iwinski et al.	7,299,720	B1	11/2007	Schultz et al.	
6,629,477	B2	10/2003	Ling et al.	7,311,022	B2	12/2007	Putney et al.	
6,722,234	B2	4/2004	Hu	7,318,366	B2	1/2008	Lee et al.	
D492,556	S	7/2004	Barry et al.	7,444,902	B1	11/2008	Lin et al.	
6,769,330	B2	8/2004	Chang	7,444,904	B2	11/2008	Huang	
6,862,956	B1	3/2005	Chen	7,478,577	B1	1/2009	Wheeler	
6,868,759	B2	3/2005	Tuan-Mu	7,523,688	B2	4/2009	Putney et al.	
D506,373	S *	6/2005	Hsien .....	D601,871	S *	10/2009	Murray .....	D8/28
6,918,323	B2	7/2005	Arnold et al.	2005/0178247	A1	8/2005	Arnold et al.	
6,971,286	B2	12/2005	Hu	2007/0107560	A1	5/2007	Chiang	
7,032,478	B2	4/2006	Hu					
7,082,860	B2	8/2006	Shu-Sui et al.					
7,185,566	B2	3/2007	Arnold et al.					

## OTHER PUBLICATIONS

SNAP-ON, Wrench, Ratcheting Box, 25° Offset, Product Webpage.

\* cited by examiner

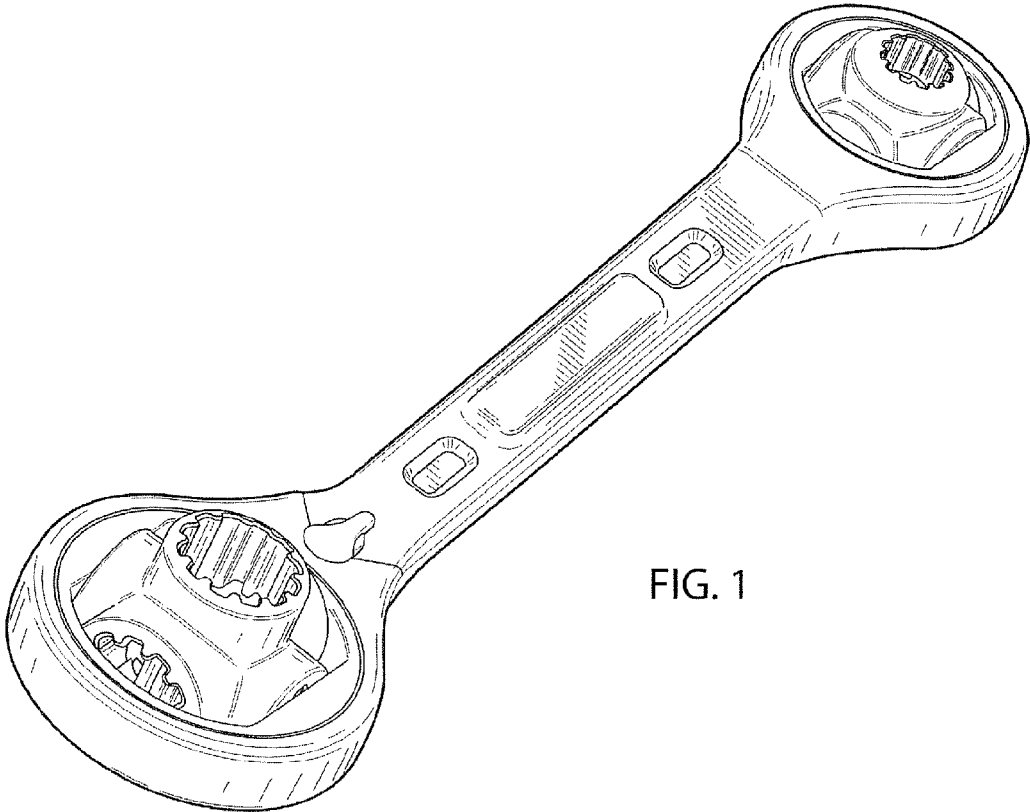


FIG. 1

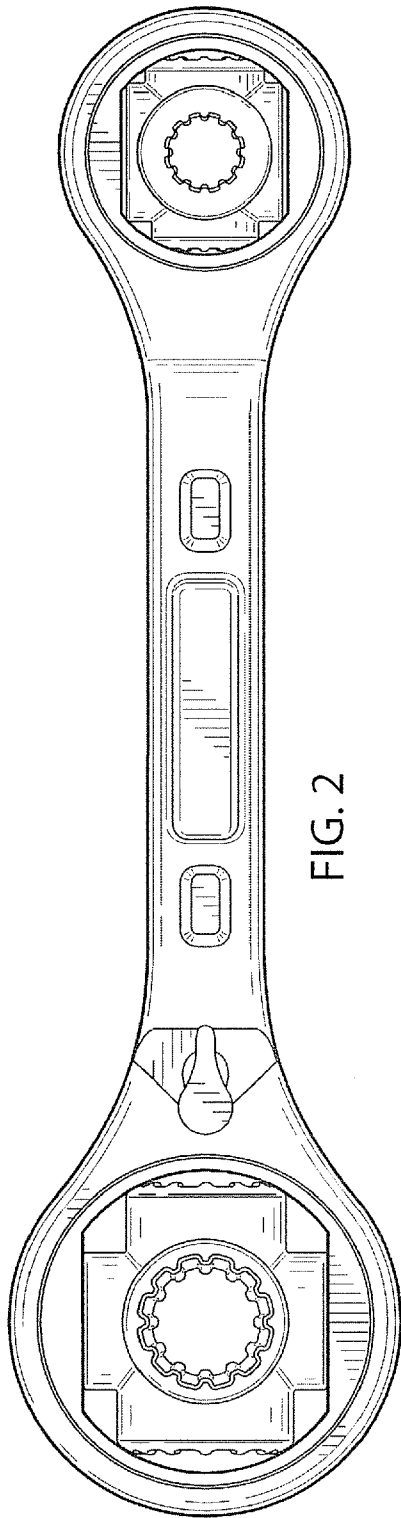


FIG. 2

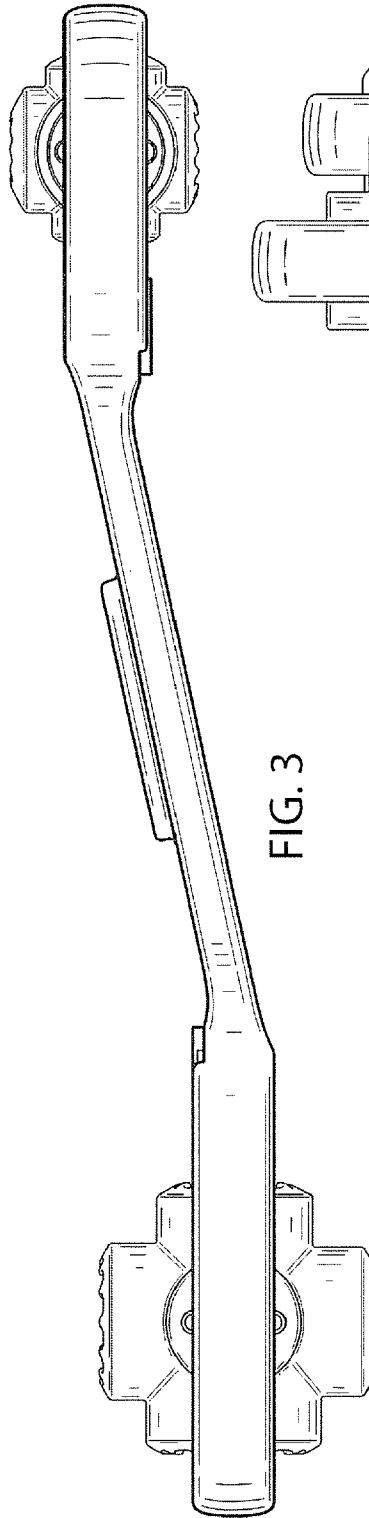


FIG. 3

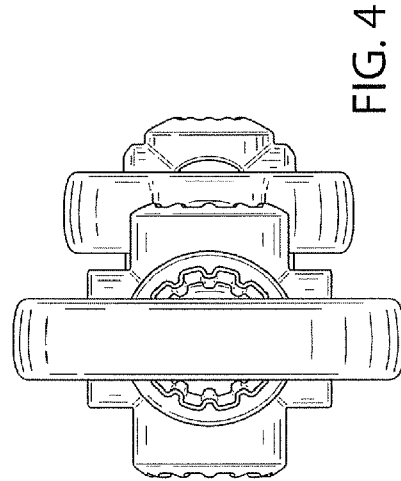


FIG. 4