



US00D417536S

United States Patent [19] Sum

[11] Patent Number: Des. 417,536

[45] Date of Patent: ** Dec. 7, 1999

[54] DRYING RACK

391,191	10/1888	Ritterhouse	211/198
869,673	10/1907	Wilson	211/198
2,002,128	5/1935	Reidenbaugh	211/198

[75] Inventor: **David Wai Ming Sum**, Kowloon, The Hong Kong Special Administrative Region of the People's Republic of China

Primary Examiner—Robin V. Taylor
Attorney, Agent, or Firm—Ladas & Parry

[73] Assignee: **Forexim (H.K.) Limited**, Hong Kong, The Hong Kong Special Administrative Region of the People's Republic of China

[57] CLAIM

I claim the ornamental design for drying rack, as shown and described.

[**] Term: **14 Years**

DESCRIPTION

[21] Appl. No.: **29/096,997**

FIG. 1 is a left-side/front/top isometric view of a drying rack showing my new design in an open condition;
 FIG. 2 is a left-side/ front/top isometric view thereof in a closed to condition;
 FIG. 3 is a front elevational view thereof in the closed condition, the rear elevational view being a mirror image and, therefore, not shown;
 FIG. 4 is a top plan view thereof in the closed condition;
 FIG. 5 is a bottom plan you thereof in the closed condition;
 FIG. 6 is a right-side elevational view thereof in the closed condition; and,
 FIG. 7 is a left-side elevational view thereof in the closed condition.

[22] Filed: **Nov. 24, 1998**

[51] LOC (6) Cl. **07-05**

[52] U.S. Cl. **D32/58**

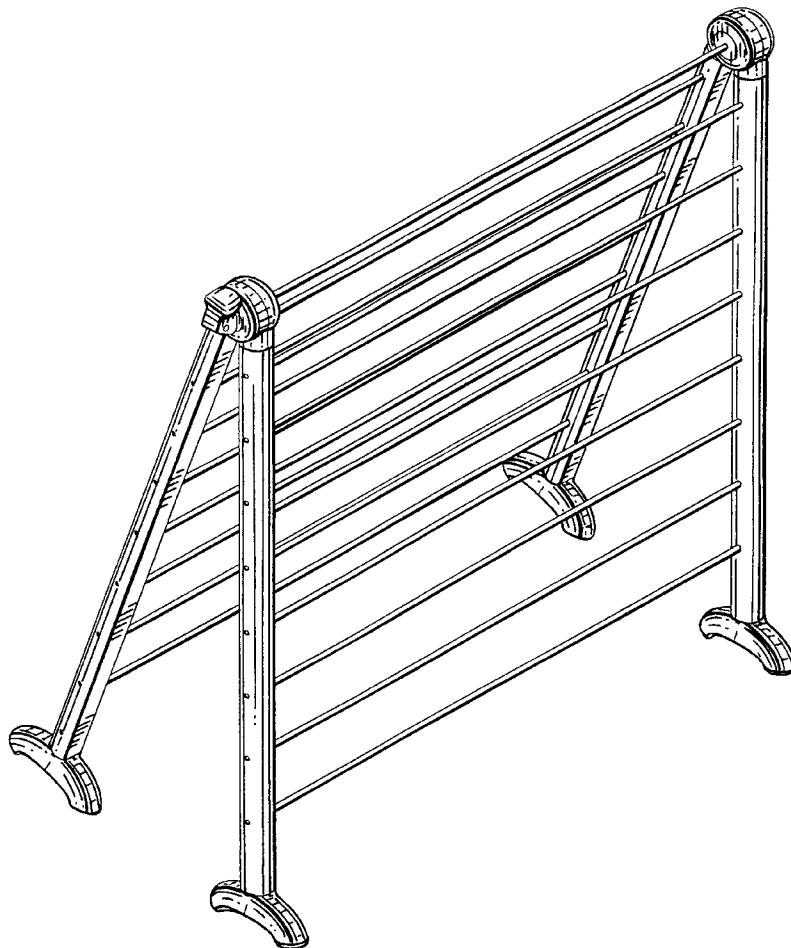
[58] Field of Search D32/58-60; D6/552;
211/85.3, 189, 195, 198

[56] References Cited

U.S. PATENT DOCUMENTS

53,705	4/1866	Trask	211/198
D. 235,239	6/1975	Cartwright	D32/58
D. 322,698	12/1991	Casssel	D32/58

1 Claim, 4 Drawing Sheets



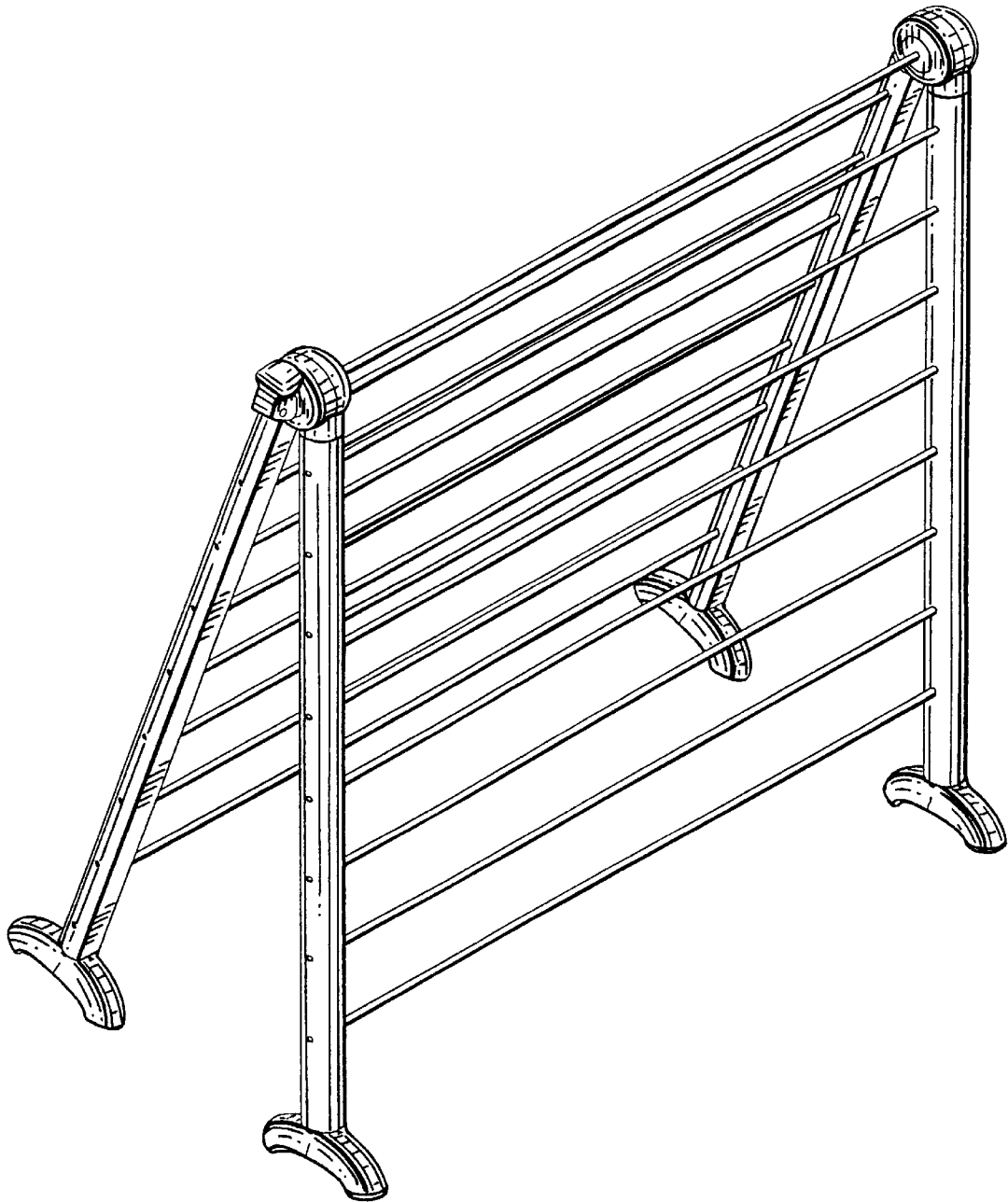


FIG. 1

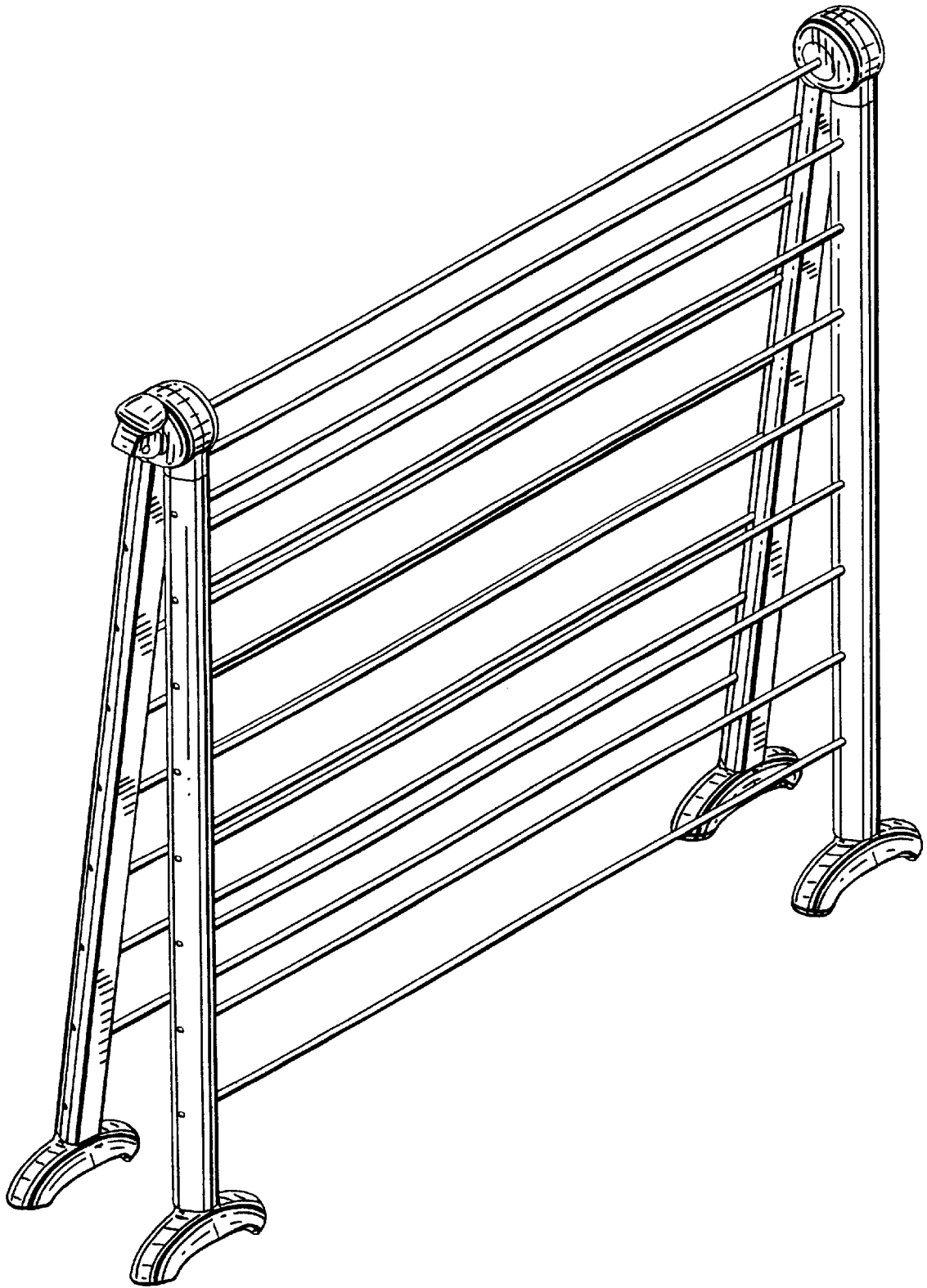


FIG. 2

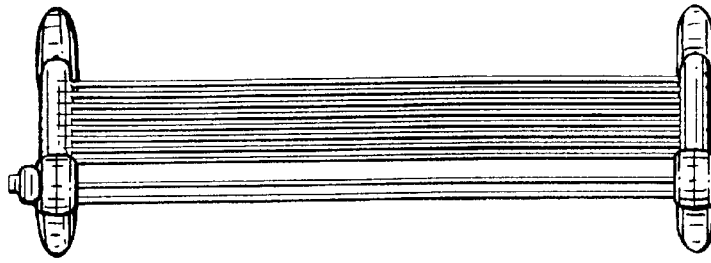


FIG. 4

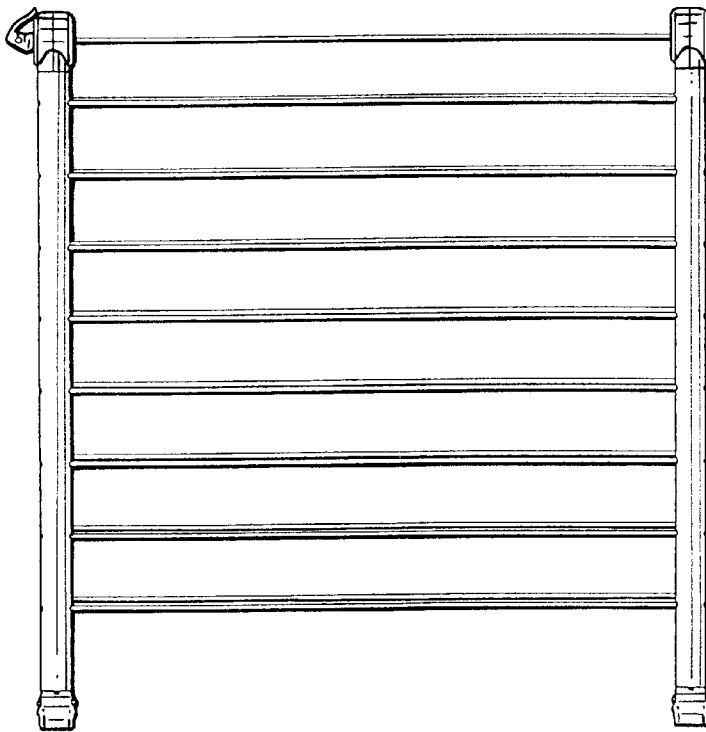


FIG. 3



FIG. 5

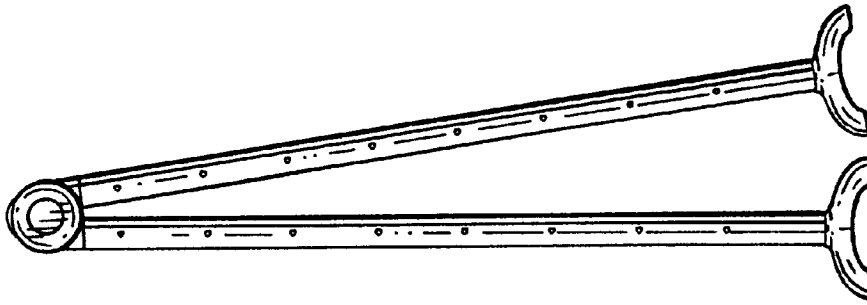


FIG. 7

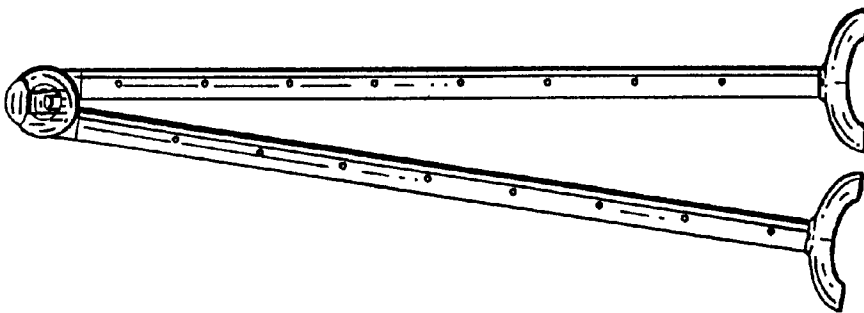


FIG. 6