



- (51) **International Patent Classification:**
H04W 84/04 (2009.01) *H04W 74/08* (2009.01)
- (21) **International Application Number:**
PCT/GB2012/051929
- (22) **International Filing Date:**
9 August 2012 (09.08.2012)
- (25) **Filing Language:** English
- (26) **Publication Language:** English
- (30) **Priority Data:**
1114342.7 19 August 2011 (19.08.2011) GB
1114345.0 19 August 2011 (19.08.2011) GB
- (71) **Applicant (for all designated States except US):** **SCA IPLA HOLDINGS INC.** [US/US]; 550 Madison Avenue, New York 10022 (US).
- (72) **Inventors; and**
- (75) **Inventors/Applicants (for US only):** **SPEIGHT, Timothy James** [GB/GB]; 47 Cotham Road, Cotham, Bristol, Avon, BS6 6DN (GB). **PIGGIN, Paul William** [GB/GB]; 34 Rowden Road, Chippenham, Wiltshire, SN15 2AU (GB).
- (74) **Agent:** **DEVILE, Jonathan;** D Young & Co LLP, 120 Holborn, London EC1N 2DY (GB).

- (81) **Designated States** (unless otherwise indicated, for every kind of national protection available): AE, AG, AL, AM, AO, AT, AU, AZ, BA, BB, BG, BH, BN, BR, BW, BY, BZ, CA, CH, CL, CN, CO, CR, CU, CZ, DE, DK, DM, DO, DZ, EC, EE, EG, ES, FI, GB, GD, GE, GH, GM, GT, HN, HR, HU, ID, IL, IN, IS, JP, KE, KG, KM, KN, KP, KR, KZ, LA, LC, LK, LR, LS, LT, LU, LY, MA, MD, ME, MG, MK, MN, MW, MX, MY, MZ, NA, NG, NI, NO, NZ, OM, PE, PG, PH, PL, PT, QA, RO, RS, RU, RW, SC, SD, SE, SG, SK, SL, SM, ST, SV, SY, TH, TJ, TM, TN, TR, TT, TZ, UA, UG, US, UZ, VC, VN, ZA, ZM, ZW.
- (84) **Designated States** (unless otherwise indicated, for every kind of regional protection available): ARIPO (BW, GH, GM, KE, LR, LS, MW, MZ, NA, RW, SD, SL, SZ, TZ, UG, ZM, ZW), Eurasian (AM, AZ, BY, KG, KZ, RU, TJ, TM), European (AL, AT, BE, BG, CH, CY, CZ, DE, DK, EE, ES, FI, FR, GB, GR, HR, HU, IE, IS, IT, LT, LU, LV, MC, MK, MT, NL, NO, PL, PT, RO, RS, SE, SI, SK, SM, TR), OAPI (BF, BJ, CF, CG, CI, CM, GA, GN, GQ, GW, ML, MR, NE, SN, TD, TG).

Published: — with international search report (Art. 21(3))

(54) **Title:** WIRELESS COMMUNICATIONS SYSTEM AND METHOD

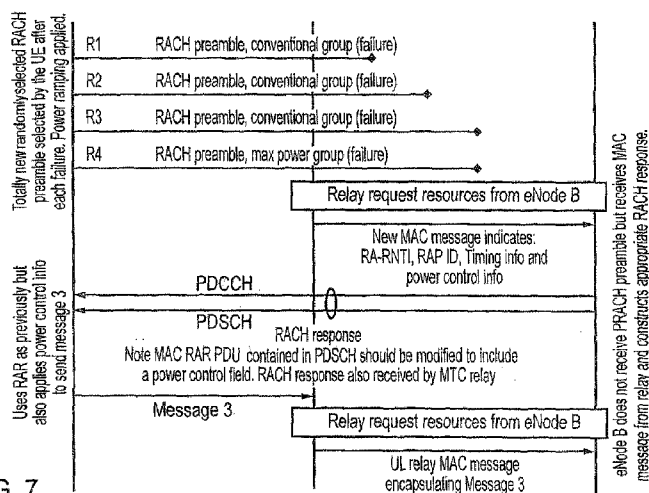


FIG. 7

(57) **Abstract:** A wireless communications system is described which comprises a base station, a relay device, and a terminal device. The terminal device is operable to transmit one or more access request messages of a first type to request uplink resources from the base station, and if no response to the transmitted access request messages of the first type is received from the base station, to transmit an access request message of a second type. The base station is responsive to an access request message of the first type received from the terminal device to transmit an allocation of uplink resources to the terminal device. The relay device is responsive to an access request message of the second type received from the terminal device to transmit a relayed access request message to the base station to request the base station to allocate uplink resources to the terminal device. The base station is responsive to the relayed access request message from the relay device to transmit an allocation of uplink resources to the terminal device. This modified random access procedure for an uplink-only relay system enables the relay device to readily identify those terminal devices which cannot be served directly by the base station (because they have already tried and failed to reach the base station via the first type of access request message).

WO 2013/027015 A1

WIRELESS COMMUNICATIONS SYSTEM AND METHOD

Field of the Invention

The present invention relates to a wireless communications system and method. Further aspects of the present invention relate to a base station, a relay device, a terminal device and a computer program.

Background of the Invention

Machine Type Communication (MTC) is being discussed in various wireless communication standards bodies as a new trend of wireless technology of communication network applications which typically do not require human interaction.

A broad definition of MTC is an automated communication network to and from machines. One major category of MTC devices are expected to have the characteristics of very low power consumption, very small data transmissions and a very large number of terminals. An example MTC application that fits within this category may for example be energy consumption monitoring of home appliances for smart grid systems.

Uplink-only relaying is a network topology which may be used to address the issue of transmit power limitation in low-cost Machine Type Communication (MTC) devices when deployed, for instance, in macro cellular Long-Term-Evolution (LTE) networks. In general there is sufficient system gain on the downlink (base station to terminal device) to support MTC devices (or User Equipment UE) (MTC-UE) at the cell edge of the macrocell of the eNodeB (eNB) but with the low output power of the MTC devices the uplink (terminal device to base station) system gain is significantly reduced compared with the downlink. The use of a single hop uplink-only relay node (MTC-RN) can be used to address this issue and close the link budget for MTC-UE. A single hop may be assumed provided that the MTC-RN can be expected to have similar characteristics to an LTE UE. In a network where relay nodes (also referred to herein as relay devices) are utilised to relay uplink data from the terminal devices to the eNodeB, the eNodeB may be referred to as a donor eNodeB (DeNB).

An uplink only single-hop relay is described in US2008/0285499.

Summary of the Invention

According to one aspect of the present invention, there is provided a wireless communications system, comprising:

- a base station;
- a relay device; and
- a terminal device; wherein

the terminal device is operable

to transmit one or more access request messages of a first type to request uplink resources from the base station, and

5 if no response to the transmitted access request messages of the first type is received from the base station, to transmit an access request message of a second type;

the base station is responsive to an access request message of the first type received from the terminal device to transmit an allocation of uplink resources to the terminal device;

10 the relay device is responsive to an access request message of the second type received from the terminal device to transmit a relayed access request message to the base station to request the base station to allocate uplink resources to the terminal device; and

the base station is responsive to the relayed access request message from the relay device to transmit an allocation of uplink resources to the terminal device.

15 This modified random access procedure for an uplink-only relay system enables the relay device to readily identify those terminal devices which cannot be served directly by the base station (because they have already tried and failed to reach the base station via the first type of access request message). The uplink-only relay network is such that it can not be guaranteed that access request messages (for example UE RACH preamble attempts) can be received by the base station and need the assistance of a uplink-only relay device. Put another way, this mechanism permits the terminal devices to connect to relay devices only
20 when they need to - if they can connect directly to the eNode B they will do so.

In an embodiment, the terminal device is operable to transmit uplink data to the relay device on the allocated uplink resources, and the relay device is operable to relay to the base station the uplink data received from the terminal device.

25 In an embodiment, the terminal device is operable to repeatedly transmit access request messages of the first type at successively higher power levels until a response is received from the base station or until a maximum power level is reached, and if no response to the access request message of the first type at the maximum power level is received from the base station, to transmit the access request message of the second type. In this way, the relay device is only used if a power ramping process used to transmit a plurality of
30 successive access request messages of the first type should fail. The access request message of the second type may be transmitted at the same maximum power level as used to transmit the final access request message of the first type. In an alternative embodiment, a power ramping process could be used to transmit successive ones of the access request messages of the second type. The power ramping profile used could be the same as or
35 different to that used for transmission of the access request messages of the first type.

The maximum power level for transmitting the access request messages of the first type may be less than the maximum transmission power of the terminal device. This would avoid using a direct radio connection between the base station and the terminal device when the uplink signals are likely to be unreliable.

5 In an embodiment, the relay device is operable to determine an identifier for the terminal device from which the access request message of the second type was received and include the identifier in the relayed access request message transmitted to the base station. The base station uses the identifier to transmit an allocation of uplink resources to the terminal device. The access request messages are transmitted on a random access
10 channel, and the relay device may be operable to determine an identifier for the terminal device from the time and/or frequency resource within the random access channel used to transmit the access request message of the second type.

In an embodiment, the relay device is operable to measure a received signal power of the access request message of the second type received from the terminal device, and to set
15 power control information in the relayed access request message for controlling a power level of a subsequent transmission from the terminal device to the relay device on the allocated uplink resources. The power control information may specify a power offset from the received signal power of the access request message of the second type. The allocation of uplink resources transmitted from the base station to the terminal device may comprise the
20 power control information for controlling the transmission power of the subsequent transmission from the terminal device to the relay device.

In an embodiment, the relay device is operable
to measure a propagation time delay between the terminal device and the relay
device of the access request message of the second type;
25 to determine, based on the propagation time delay, a required timing advance offset for a subsequent transmission from the terminal device to the relay device so that a receive time of the subsequent transmissions at the relay device is synchronised with a receive time of transmissions from other terminal devices; and
to specify said timing advance offset in the relayed access request message.

30 The allocation of uplink resources transmitted from the base station to the terminal device may comprise the timing advance offset for controlling the timing of a subsequent transmission from the terminal device to the relay device.

The relayed access request message may comprise an identification of the terminal device which transmitted the message.

In an embodiment, the relay device is responsive to an access request message of the second type received from the terminal device to request the base station to allocate uplink resources to the relay device to transmit the relayed access request message;

5 the base station is responsive to the request from the base station to allocate uplink resources to the relay device; and

the relay device is operable to transmit the relayed access request message to the base station using the uplink resources allocated to the relay device by the base station.

The access request messages of the first type may be Random Access Channel preambles selected from a first group of Random Access Channel preambles. The access request messages of the second type may be Random Access Channel preambles selected from a second group of Random Access Channel preambles. The allocation of uplink resources transmitted from the base station to the terminal device may be a Random Access Response. The uplink data transmitted by the terminal device on the allocated uplink resources may be a Message 3.

15 It will be appreciated that the uplink data may comprise one or both of control information and data.

The relay device may be operable

to measure a received signal power of the uplink data received from the terminal device; and

20 to set power control information in the relayed uplink data for controlling a power level of a subsequent transmission from the terminal device to the relay device.

The relay device may be operable

to measure a propagation time delay between the terminal device and the relay device of the uplink data;

25 to determine, based on the propagation time delay, a required timing advance offset for a subsequent transmission from the terminal device to the relay device so that a receive time of the subsequent transmission at the relay device is synchronised with a receive time of transmissions from other terminal devices; and

to specify said timing advance offset in the relayed uplink data.

30 The relayed uplink data may comprise an identification of the terminal device which transmitted the uplink data.

The relay device may be responsive to the uplink data received from the terminal device to request the base station to allocate uplink resources to the relay device to transmit the relayed uplink data. The base station may be responsive to the request from the base station to allocate uplink resources to the relay device. The relay device may be operable to

transmit the relayed uplink data to the base station using the uplink resources allocated to the relay device by the base station.

The base station may be responsive to receiving relayed access request messages from plural relay devices in relation to the same access request message of the second type
5 to:

select one of the relay devices to serve the terminal device; and

to inform the selected relay device that it is to serve as the relay device for the terminal device.

The relayed access request message may comprise an indication of the received
10 power level of the access request message of the second type; and

the base station may be operable to select as the serving relay device the relay device having received the access request message of the second type at the highest power level.

If two or more of the plural relay devices received the access request message of the
15 second type at substantially the same power level, the base station may be operable to select as the serving relay device the relay device, of those having received the access request message of the second type at substantially the same power level, which is currently serving the fewest terminal devices.

The base station may transmit a negative acknowledgement message to those of the
20 plural relay devices not selected to serve the terminal device.

The negative acknowledgement message may be transmitted via a group identifier to all of the plural relay devices. In this case, the relay device selected as the serving relay device is responsive to being informed by the base station that it is to be the serving relay device to ignore the negative acknowledgement message.

25 According to another aspect of the present invention, there is provided a method of wirelessly communicating data from a terminal device to a base station via a relay device, comprising:

transmitting one or more access request messages of a first type from the terminal device to request uplink resources from the base station, and

30 if no response to the transmitted access request messages of the first type is received at the terminal device from the base station, transmitting an access request message of a second type from the terminal device to the base station;

responsive to an access request message of the first type being received at the base station from the terminal device, transmitting from the base station an allocation of uplink
35 resources to the terminal device;

responsive to an access request message of the second type being received at the relay device from the terminal device, transmitting from the relay device a relayed access request message to the base station to request the base station to allocate uplink resources to the terminal device; and

5 responsive to the relayed access request message being received at the base station from the relay device, transmitting from the base station an allocation of uplink resources to the terminal device.

According to another aspect of the present invention, there is provided a base station for receiving wireless communications from a terminal device via a relay device, the base station comprising:

10 a receiver; and

a transmitter, responsive to access request message of a first type being received at the receiver from the terminal device to transmit an allocation of uplink resources to the terminal device; and

15 responsive to a relayed access request message from the relay device requesting the base station to allocate uplink resources to the terminal device being received at the receiver to transmit an allocation of uplink resources to the terminal device, the relayed access request message being transmitted from the relay device to the base station in response to an access request message of a second type being received at the relay device; wherein

20 the access request message of the second type is transmitted by the terminal device if no response to the transmitted access request message of the first type is received from the base station.

According to another aspect of the present invention, there is provided a relay device for wirelessly relaying data from a terminal device to a base station, the relay device comprising:

25 a receiver; and

a transmitter, responsive to an access request message of the second type being received at the receiver from the terminal device to transmit a relayed access request message to the base station to request the base station to allocate uplink resources to the terminal device; wherein

30 the access request message of the second type is transmitted by the terminal device if no response to the transmitted access request message of the first type is received from the base station; and

the base station is responsive to either an access request message of the first type received from the terminal device or the relayed access request message from the relay device to transmit an allocation of uplink resources to the terminal device.

According to another aspect of the present invention, there is provided a terminal device for wirelessly communicating data to a base station via a relay device, the terminal device comprising:

a transmitter operable

to transmit one or more access request messages of a first type to request uplink resources from the base station, and

if no response to the transmitted access request messages of the first type is received from the base station, to transmit an access request message of a second type; and

a receiver operable to receive from the base station an allocation of uplink resources allocated at the base station in response to one of an access request message of the first type or a relayed access request message transmitted to the base station by the relay device in response to an access request message of the second type being received from the terminal device, the relayed access request message requesting the base station to allocate uplink resources to the terminal device.

Various further aspects and features of the present invention are defined in the appended claims.

Brief Description of the Drawings

Example embodiments of the present invention will now be described with reference to the accompanying drawings in which like parts have the same designated references and in which:

Figures 1A and 1B provide a comparison of a symmetric uplink/downlink multi-hop signalling scenario and an asymmetric uplink/downlink signalling scenario for a relay network;

Figure 2 is a schematic block diagram of a mobile communications network and mobile communications devices forming a communication system which operates in accordance with the 3GPP Long Term Evolution (LTE) standard;

Figure 3 schematically illustrates an example downlink data and control channel structure for use in the network shown in Figure 2;

Figure 4 schematically illustrates an example uplink data and control channel structure for use in the network shown in Figure 2;

Figure 5 schematically illustrates a random access procedure for a mobile terminal to connect to a network;

Figure 6 schematically illustrates UE PRACH power ramping and the interception of random access preambles at a relay device;

Figure 7 schematically illustrates a technique for using the random access procedure to trigger a relay to serve a terminal device;

5 Figure 8 schematically illustrates a new MAC control element for relaying a random access request to a base station;

Figure 9 schematically illustrates a modified random access response (RAR) message;

10 Figure 10 schematically illustrates a method for arbitrating between multiple possible serving relays;

Figure 11 schematically illustrates a method for determining the most appropriate relay device to serve a terminal device;

Figure 12 schematically illustrates a MAC control element for indicating which relay device is to serve a terminal device;

15 Figure 13 schematically illustrates a protocol stack configuration and signal flow for a terminal device, relay device and base station for downlink signals;

Figure 14 schematically illustrates a protocol stack configuration and signal flow for a terminal device, relay device and base station for uplink signals;

20 Figure 15 schematically illustrates the encapsulation and relay of MAC messages at a relay device;

Figure 16 schematically illustrates an example format for a MAC relay header control element;

Figure 17 schematically illustrates an example MAC relayed PDU in which all indicated MTC-UE MAC PDUs are present;

25 Figure 18 schematically illustrates an example MAC relayed PDU in which some of the indicated MTC-UE MAC PDUs are not present;

Figure 19 schematically illustrates an example procedure for communicating between a terminal device and a base station via a relay device for uplink communications;

30 Figure 20 schematically illustrates a first technique for the relay device to become aware of uplink resources to use for receiving a message from a terminal device, and for relaying the received message to a base station;

Figure 21 schematically illustrates how the relay device behaves in the first technique when the message from the terminal device is not received;

Figure 22 schematically illustrates a second technique for the relay device to become aware of uplink resources to use for receiving a message from a terminal device, and for relaying the received message to a base station;

5 Figure 23 schematically illustrates a third technique for the relay device to become aware of uplink resources to use for receiving a message from a terminal device, and for relaying the received message to a base station;

Figure 24 schematically illustrates a fourth technique for the relay device to become aware of uplink resources to use for receiving a message from a terminal device, and for relaying the received message to a base station;

10 Figure 25 schematically illustrates an example implementation of the relayed scheduling request (SR);

Figure 26 schematically illustrates an example implementation of the new MAC control element for indicating to the MTC-RN on which uplink resources to expect a transmission from the MTC-UE; and

15 Figure 27 schematically illustrates a wireless communications system comprising a DeNB, an MTC-RN and an MTC-UE.

Description of Example Embodiments

20 The present application benefits from a claim to the Paris convention priority of UK patent application GB1114342.7 filed 19 August 2011 and UK patent application GB1114345.0 filed 19 August 2011 the contents of which are incorporated herein by reference.

Referring first to Figures 1A and 1B, a comparison of a symmetric uplink/downlink single-hop signalling scenario and an asymmetric uplink/downlink signalling scenario when applied to a relay network is provided. Figure 1A illustrates a symmetric uplink/downlink case in which communications are hopped both on a downlink 10a from a base station 7a to several terminal devices 9a via relay devices 8a, and also on an uplink 11a from the terminal devices 9a to the base station 7a via the relay devices 8a. Figure 1B illustrates an asymmetric uplink/downlink case in which communications are direct on a downlink 10b from a base station 7b to a terminal device 9b, but are single-hopped on an uplink 11b from the terminal device 9b to the base station 7b via the relay devices 8b. The base station 7b may also transmit control signalling on a downlink 12b (dashed lines in Figure 1B) to the relay devices 8b in order to control the operation of the relay devices 8b. Notably though there is no transmission from the relay devices 8b to the terminal devices 9b. It will be appreciated
35 that the asymmetric uplink/downlink relay configuration of Figure 1B will receive a number of

benefits. Firstly, it will be understood that hopping permits lower power transmissions to be used, but increases transmission time. Hopping of both the control signal and the data signal (as conducted in Figure 1A) takes a relatively long time to be conveyed, due to the processing delay on reception/retransmission at an intermediate step in the route. In contrast, the transmission time is reduced in relation to the control signal sent from the base station (BS) to the terminal by transmitting the control signal directly. While on the face of it this goes against the low transmission power goals of a relay type network, in reality the base station will not be subject to the same transmission power constraints as the terminal device and relays within the network. Moreover, this arrangement is particularly advantageous for MTC devices because of the relatively high volume of control signalling versus data signalling which is typically utilised for this type of device.

Certain embodiments of the present invention will now be described with reference to an implementation which uses a mobile communications network operating in accordance with the 3GPP Long Term Evolution (LTE) standard. Figure 2 is a schematic block diagram of a mobile communications network and mobile communications devices forming a communication system which operates in accordance with the 3GPP Long Term Evolution (LTE) standard (Release 8 of the specification). The mobile network includes a plurality of base stations known in the art as enhanced Node-Bs 101 (eNBs) each of which includes a transceiver unit 103 enabling communication of data to and from a plurality of mobile communication devices 105 via a radio interface. Each mobile communication device 105 includes a transceiver for communicating data to and from the eNBs and a USIM which uniquely identifies the mobile communication device.

Each eNB 101 provides a coverage area (i.e. a cell) and communicates data to and from mobile communication devices 102 within the coverage area/cell. Each eNB 101 is connected to a Serving Gateway (S-GW) 104 which routes user data to and from the eNBs 101 and supports mobility when mobile communication devices 105 handover between eNBs 101 as is known in the art.

The mobile network is typically divided into a number of tracking areas each of which comprise a number of eNBs. Together the tracking areas form a network coverage area providing access to the Public Land Mobile Network (PLMN) over a geographic area. The S-GW 104 is connected to a Packet Data Network Gateway 106 (P-GW) which is the network entity from which packet data is routed into and routed out of the network. The mobile telecommunication network also includes a Mobility Management Entity 107 (MME) connected to the S-GW 104. The MME 107 is responsible for authenticating mobile communication devices 105 attempting to access the network by retrieving subscriber profile

information stored in a Home Subscriber Server 108 (HSS). The MME 107 also tracks the location of each mobile communication device 105 that has joined the network. The eNBs grouped together form a radio network part of the PLMN and the infrastructure equipment of the PLMN, namely the S-GW, MME and P-GW form a core network part of the PLMN.

5 Figure 3 schematically illustrates an example downlink data and control channel structure for use over the air (Uu) interface between the eNBs 101 and communication devices 105 in the LTE based network of Figure 2. According to the LTE standard, a physical downlink frame is used to communicate control signalling and data on the downlink (base station to terminal device). Figure 3 is a somewhat simplified form of this, for example
10 a LTE frame usually includes 10 sub-frames but only 6 sub-frames 130 have been represented for the downlink frame 120 of Figure 3. Below the representation of the LTE frame 120 in Figure 3 is an expanded version of one of the sub-frames 130. In each sub-frame 130, a Physical Downlink Control Channel (PDCCH) 140 is shown which occupies time and frequency resources that stretch across the entire frequency band (vertical) and
15 across 1 to 3 symbols in the time axis (horizontal). In contrast the Physical Downlink Shared CHannel (PDSCH) 150 is comprised of a plurality of time and frequency resources which are allocated via the PDCCH. In effect, the PDCCH provides the mobile communications devices with the resource allocations and the corresponding addressing information (for example the radio network temporary identifier – RNTI). A mobile communications device
20 can therefore, based on the RNTI, know which resource allocations it should decode to receive data intended for (addressed to) it. The data may be either data for this mobile communications device only or for all mobile communications devices in the cell. In Figure 3, two resource blocks 162, 164 are highlighted. These could be allocated to a particular terminal device by control information provided in the PDCCH 140 in association with the
25 RNTI of that particular terminal device. The terminal device would then know to decode data transmitted in that frequency/symbol allocation.

In a similar fashion, Figure 4 schematically illustrates an example uplink data and control channel structure for use over the air (Uu) interface between the eNBs 101 and communication devices 105 in the network shown in Figure 2. As with the downlink, a
30 physical uplink frame 220 is used to communicate control signalling and data on the uplink (terminal device to base station). Again, as with Figure 3, Figure 4 is a somewhat simplified form of this. In Figure 4, the physical uplink frame 220 is divided into sub-frames 230. Below the representation of the LTE frame 220 in Figure 4 is an expanded version of one of the sub-frames 230. In each sub-frame 230, a Physical Uplink Control Channel (PUCCH)
35 240 is shown which occupies some time and frequency resources that stretch across the

entire time (symbol) band (horizontal) and across a portion of the upper and lower extremities of the frequency band (vertical). In contrast the Physical Uplink Shared CHannel (PUSCH) 250 is comprised of a plurality of time and frequency resources which are allocated via the PDCCH (in the downlink frame). The PDCCH therefore provides the mobile communications
5 devices with the resource allocations and the corresponding addressing information (for example the radio network temporary identifier – RNTI) for the transmitting as well as receiving control signalling and data. A mobile communications device can therefore, based on the RNTI, know which resource allocations it should transmit data on. In Figure 4, two resource blocks 262, 264 are highlighted. These could be allocated to a particular terminal
10 device by control information provided in the PDCCH 240 in association with the RNTI of that particular terminal device. The terminal device would then know to transmit data using that frequency/symbol allocation.

It will be appreciated that in the context of the asymmetric relay topology described in Figure 1B, each of the base station, the relay device and the terminal device will make use of
15 these uplink and downlink control and shared channels to communicate information between them. In particular, the base station is able to communicate information to both the terminal device and the relay device using PDCCH and PDSCH. Typically the base station will utilise the PDCCH to indicate to the recipient device where on the PDSCH to look for data intended for the recipient device. The user device is able to communicate information to either the
20 base station (if it is in range) on the PUCCH and the PUSCH, and is also able to communicate information to the relay device on the PUCCH and the PUSCH. The relay device is able to communicate information to the base station on the PUCCH and the PUSCH. In some embodiments the relay device is required to request PUSCH resources for relaying data from the terminal device received at the relay device on the PUSCH. In some
25 embodiments the terminal device and relay device are provided with allocated (time/frequency) resources on the PUCCH which they can utilise (by transmitting on those resources) to request the base station to allocate time/frequency resources on the PUSCH. The PUCCH resources allocated to the terminal device and the relay device may be predetermined. In some embodiments the relay device is aware of the PUCCH resources
30 allocated to the terminal device so that it can receive and relay requests for uplink resources to the base station. The relay device may be aware of the PUCCH resources allocated to the terminal device either due to the predetermined nature of the allocation, or by way of a direct notification from the base station. In an alternative embodiment the terminal device may identify itself in any PUCCH transmissions, enabling the relay device to monitor the PUCCH
35 and pick out any PUCCH transmissions made by a terminal device for which it is responsible.

Random Access Procedure

One mechanism for identifying whether a terminal device needs to be served by a relay device, and the appropriate relay device for the terminal device to use, would be for the relay device to observe the random access procedure. The random access procedure is the method by which a terminal device obtains access to the base station. The random access procedure is conducted in relation to several events, including initial access to the network, connection re-establishment, handover between radio cells, downlink data arrival and uplink data arrival. A schematic illustration of the random access procedure of an LTE network is shown in Figure 5.

In Figure 5, a signal flow between a terminal device (UE) and a base station (BS) is shown. Four stages are illustrated. A first stage, A, is the transmission of one or more random access preambles from the terminal device to the base station. The terminal device randomly selects a random access preamble (code sequence) from a group of predetermined random access preambles. The preamble is transmitted on a next available Physical Random Access Channel (PRACH) resource which is available to the terminal device. The position in time and frequency resource of the transmitted random access preamble implicitly provides a temporary identifier (RA-RNTI) for the transmitting terminal device.

If the random access preamble is received at the base station, at a stage B a random access response is transmitted from the base station to the terminal device. The random access response is transmitted on the PDSCH, with the terminal device being informed by the PDCCH of the downlink resources on which the random access response is to be carried. In particular, the PDCCH specifies the temporary identifier derived from the time and frequency resources utilised to transmit the random access preamble, and also indicates a resource block assignment (time and frequency resources) on the PDSCH which will carry the random access response. The terminal device recognises that the random access response is intended for it by way of the temporary identifier, and looks at the assigned resource block in the PDSCH. The MAC header in the Random Access Response on the PDSCH includes a random access preamble identifier which identifies the random access preamble received at the base station at the stage A, a further temporary identifier (C-RNTI) for identifying the terminal device, a grant of uplink resources on the PUSCH, and a timing advance command for adjusting transmission times at the terminal device in dependence on the distance between the terminal device and the base station.

In response to the random access response, at a stage C the terminal device transmits a message 3 (RRC Connection Request Message) to the base station. The

message 3 is transmitted on the PUSCH resources allocated by the random access response.

In response to the message 3, at a stage D the base station sends certain information to the terminal device for contention resolution purposes. This information is transmitted on the PDSCH (again on resources allocated by the PDSCH). This information includes the further temporary identifier (C-RNTI), which becomes the (non-temporary) C-RNTI if contention resolution is successful. The contention resolution information is contained within a UE Contention Resolution Identity control element. If the UE Contention Resolution Identity received at the terminal device from the base station matches a CCCH (Common Control Channel) SDU (Service Data Unit) transmitted in the Message 3, then the terminal device considers that contention resolution has been successful and that the random access procedure has been successfully completed. The reason for providing contention resolution is that more than one terminal device may attempt to access the network using the same random access preamble on the same time and frequency resource. The CCCH SDUs transmitted by the contending terminal devices can be expected to be different and therefore UEs can be determined if their random access response is successful by comparing their transmitted CCH SDU with the one sent back to them by the base station in the contention resolution identity MAC control element.

Referring back to stage A, a series of random access preambles may be transmitted by the terminal device at progressively higher power levels (power ramping) if a random access response is not received. It should be noted however that each successive random access preamble will be different.

In order to utilise the random access procedure to identify whether a terminal device attempting to connect to the base station needs to be served by a relay device, the relay device could either:

- Report the RA-RNTIs (Random Access Radio Network Temporary Identifier) of all random access attempts it sees to the base station (DeNB) in a new MAC message. The base station would then determine if there were any random access procedures that the MTC-RN observed but it did not receive; or
- Receive all PRACH (Physical Random Access Channel) preamble attempts and then wait to receive a matching random access response. Only those attempts for which it fails to get a response are reported to the base station.

However there are significant problems with both of these mechanisms associated with the fact that there is no UE context contained in the PRACH preamble and with the power ramping that occurs on the PRACH preamble. Problems include:

- Due to the power ramping mechanism a PRACH preamble with no response does not necessarily mean that the terminal device requires the relay device to access the network. The terminal device should be allowed to continue up to its maximum number of RACH preamble attempts (or when maximum power on preamble is reached) and only then should it be considered that the terminal device should be served by the relay device;
- Because subsequent preamble retransmissions use a completely new randomly drawn RACH preamble, it is difficult or impossible to determine whether two random access preambles originate from the same terminal device; and
- There is no way of knowing whether the RACH preamble has been transmitted by a MTC-UE or a non-MTC UE.

Figure 6 illustrates these problems. In Figure 6, a terminal device transmits a series of random access (RACH) preambles P_1 , P_2 , P_3 , P_4 and P_5 . These successive transmissions represent totally new randomly selected RACH preambles after each failure, with power ramping being applied. Each of P_1 , P_2 , P_3 and P_4 are received by the relay device, but are not received by the base station. The relay device can identify failures by noting received RACH preambles without a corresponding RACH response using the RA-RNTI, but it cannot know that they are originating from the same terminal device. In the present case P_5 is received by the base station, meaning that the relay device is not required by the terminal device in communicating with the base station. A RACH response is transmitted by the base station, and could be detected by the relay device, informing the relay device that it is not required in relation to the terminal device originating P_5 . However, the relay device is unable to correlate the successful RACH preamble P_5 with the failed preambles P_1 to P_4 and the originating terminal device to identify that it is not required in relation to those failed preambles.

In order to alleviate these problems, when the terminal device reaches its maximum power in the power ramping of random access preambles, a special group of RACH preambles are used instead of the conventional group. The RACH preamble space is partitioned, and currently groups A and B are used as defined in section 5.1.2 of 3GPP TS36.321. To support the present technique, an additional new group, a Maximum Power Group, may be specified. When the terminal device reaches maximum power in the transmission of random access preambles, for example when a PRACH preamble retransmission is transmitted at the same power as a previous PRACH preamble transmission, then the terminal device selects a preamble from the new Maximum Power Group. The transmission of a preamble taken from the Maximum power group effectively

notifies the relay device that the originating terminal device has failed to connect directly to the base station. This is shown in Figure 7.

As with Figure 6, in Figure 7 the terminal device chooses RACH preambles R_1 , R_2 and R_3 as defined conventionally. As these RACH preambles are used and fail the terminal device ramps up the transmission power. In each case a new randomly chosen RACH preamble is used from the conventional set of preambles. These RACH preambles are ignored by the relay device.

The terminal device reaches the maximum RACH preamble power with preamble R_3 . Note that (as will be discussed below) this maximum may be modified from the current specification which allows the terminal device to use all available power for preamble transmission. System information will define a new preamble group to be used when the new maximum RACH preamble power is reached. The terminal device selects a preamble R_4 from the new Maximum PRACH Power Group and transmits the RACH preamble R_4 . Preferably the preamble selected from the Maximum power group is transmitted at full power (either the same power as the final preamble from the conventional preamble group, or the maximum transmission power of the terminal device). This enables the connection to be made more quickly, in view of the fact that there has already been a delay due to the power ramping with the conventional preambles, and in view of the fact that use of the relay device rather than direct transmission will itself give rise to a further delay. In the alternative, power ramping could also be used with the relay specific preambles (either with the same profile as the conventional preambles or with a modified power ramp). In this case the "Maximum Power Group" would instead be a "Relayed Preamble Group".

Previously, the power ramping of conventional preambles continued up to the maximum transmission power of the terminal device. However, it is possible that this might result in a scenario in which the preamble is successfully received at the base station but messages on UL-SCH (Uplink Shared CHannel) might fail due to a possible sensitivity difference between PRACH (used to transmit the random access preambles) and PUSCH (Physical Uplink Shared CHannel) transmission.

In order to alleviate this problem, the PRACH preamble power control algorithm can be modified to limit the power of the PRACH preamble for the terminal device to be capped a number of decibels below the maximum transmission power of the terminal device.

The relay device detects the use of a RACH preamble R_4 in the Maximum PRACH Power Group, and determines the following:

- The RA-RNTI, based on the first subframe of the PRACH index within the subframe (in other words the time/frequency resources used to transmit the RACH preamble);

- The RAPID, i.e. the RACH preamble ID;
- The required timing advance for the terminal device so that it can correctly align transmission of the subsequent Message 3 which will be sent on UL-SCH (this can be determined at the relay device from the propagation time delay of the RACH preamble transmission from the terminal device to the relay device); and optionally
- The power offset needed by the terminal device for Message 3 to be received at the relay device at an appropriate reception power level (this is optional, and may not be required for example if power ramping is applied to the relay preambles). The power offset can be determined at the relay device from the received signal power of the RACH preamble transmission.

The relay device requests time and frequency resources from the base station in the same way as a conventional terminal device (note the relay device has a different RNTI which is separate from that of the terminal device it is relaying). Subsequently the relay device will receive an uplink grant via a PDCCH (Physical Downlink Control Channel) message.

A new MAC control element ('Relayed preamble' control element) is used to transfer the RA-RNTI, the RAPID, the timing advance and the power offset to the base station via the resources allocated to the relay device by the uplink grant.

The base station responds on the PDCCH using the RA-RNTI contained in the relayed preamble message which allocates PDSCH resources used to transport a (potentially modified) MAC RAR (Random Access Response) message. Note that as introduced above it would be beneficial for the RAR message to be modified to include a power control element which provides an offset from the power that the terminal device used for the last transmitted RACH preamble transmission to be used for the transmission of message 3. The reason for this is that the current mechanism whereby the terminal device transmission power for message 3 is based on a fixed offset (transmitted in system information) from the power used for successful preamble power is not applicable because the transmission power of the random access preamble of the maximum power group may be much higher than that required to reach the relay device, or alternatively may be merely adequate. A fixed offset works conventionally because the power ramping results in a successful preamble being transmitted at a power level close to that required. In the present case the offset is based on the power offset specified in the new MAC message. In other ways the random access response is the same as that currently defined, however it is populated from the contents of the relayed preamble message rather than based on the direct reception of the RACH preamble.

The terminal device receives the RAR and acts in the same way as currently specified (with the exception of the power control information if it is included in the message). Thus it sends a Message 3 response in the allocated uplink resources. Meanwhile the relay device may also receive the PDCCH component of the RACH response and will subsequently setup to receive the (potentially modified) MAC RAR contained in the allocated PDSCH resources in order to obtain the uplink grant information and so setup its receivers so that it can receive the subsequent Message 3. Note that it could be regarded as undesirable for the relay device to have to monitor messages ultimately not intended for it. In this case a separate new form of uplink grant could be signalled to the relay device. This new form of uplink grant would not actually allocate uplink resources but would indicate to the relay device that a particular terminal device which is to be relayed by the relay device has been allocated uplink resources that the relay device needs to receive. An example of such a mechanism is described further below.

The relay device receives the Message 3 from the terminal device (this should be correctly timing advanced and, optionally, correctly power controlled). The Message 3 will not be received by the DeNB, which is out of transmission range.

The MTC relay device encapsulates the Message 3 received from the terminal device within a 'relayed UL message' in MAC. The header of this message will contain a TPC (Transmit Power Control) and TA (timing advance) indication. The relay device requests uplink resources from the base station in order to send the encapsulated message.

The relayed UL message is received by the base station which extracts the encapsulated Message 3 and goes on to complete contention resolution as described previously.

For requesting resources for the terminal device from the base station based on the random access preamble, a new MAC control element, the *Relayed preamble message*, is provided, with a suggested format being shown in Figure 8. As can be seen from Figure 8, the relayed preamble message comprises a reserved part (R), a timing advance part (TA command), a RACH preamble ID part (RAPID), a power offset (Power control info) a Random Access Temporary Identifier (RA-RNTI) and optional padding (PAD). These elements have all been discussed above, with the exception of the padding which is used to pad the message to a required size.

A modified RAR message is schematically illustrated in Figure 9. In particular, the modified RAR message comprises a reserved part (R), a timing advance part (TA command), an allocation of uplink time and frequency resources (UL grant), the further temporary identifier (C-RNTI), a power offset (Power control info) and optional padding

(PAD). This is the same format as previously used for RAR, but with a power control info field added.

In addition, there may need to be a change to the RRC IE 'RACH-ConfigCommon' to include a new group C set of preambles. Note that the signalling currently defined is such
5 that this change would be backwardly compatible to Release 8 LTE.

Relay Arbitration

There may be multiple relay devices which receive the random access preamble in the Maximum PRACH Power Group transmitted by the terminal device. Accordingly, the base station may receive multiple relayed preamble MAC messages for the same terminal
10 device from different relay devices. To address this, a mechanism is required to determine which of the relay devices is to become the serving relay device for the terminal device.

Figure 10 schematically illustrates this. In Figure 10, a first relay device transmits a relayed preamble MAC message to the base station. A second relay device also transmits a relayed preamble MAC message to the base station. The base station determines which
15 relay device to use to serve the terminal device, and transmits a serving relay indication MAC message indicating that the recipient relay device is to be the serving relay device for the indicated terminal device. In one example, the base station examines power control information in the relayed preamble MAC message and determines which relay received the preamble transmission from the terminal device most strongly. The relay receiving the
20 preamble transmission most strongly is then selected to be the serving relay device for that terminal device. It will be appreciated that other factors could also be taken into consideration, such as relative traffic loading between the relay devices.

A schematic flow diagram is shown in Figure 11 which demonstrates an example method of arbitrating between multiple relay devices. Firstly, at a step A1 the base station
25 (DeNB) starts collecting relayed preamble MAC messages from the relay devices (MTC-RNs). A number of MTC-RNs see the same PRACH preamble transmitted in the Maximum PRACH Power Group and thus multiple relayed preamble MAC messages are received by the DeNB. These messages will indicate the same RA-RNTI and RAPID but are likely to indicate different power control information fields. At a step A2, after a defined time interval
30 ($T_{collect}$) the DeNB stops collecting relayed preamble MAC messages from the MTC-RNs. A typical defined time interval is expected to be approximately 1 second. Once this has expired a decision can be taken regarding which MTC-RN is to be the serving node based on the power control information in the received relayed preamble messages. Specifically, at a step A3, the DeNB compares all received power control information fields for the relayed

preamble MAC messages, and at a step A4 selects the MTC-RN with the best signal level to be the server for the MTC-UE in question.

If multiple power control information fields from different MTC-RNs indicate the best signal level (within a predetermined decibel range), then the base station selects between these at a step A5 by taking into account the number of associated terminal devices for each relay device. In particular, the base station then preferentially selects the relay device (of those having the best signal level) having the lower number of associated MTC-UEs (load balancing). Finally, at a step A6 the DeNB sends a serving relay indication with payload ACK to the selected MTC-RN, and payload NACK to all other MTC-RNs. This may be achieved by way of a new message 'Serving relay indication' MAC control element, which will indicate that the UE corresponding to the current RA-RNTI (and RAPID) will be controlled by the recipient MTC-RN of that message. A NACK indication will be sent to all other MTC-RNs. A possible realization for sending the NACK indication is via a group RN-RNTI mechanism. This means that the NACK indication would be targeted in some way to all MTC-RNs which originated a relayed preamble MAC message relating including the same RA-RNTI. A possible realisation for indicating a NACK to all associated MTC-RNs is therefore the use of a PDSCH allocation scrambled with that RA-RNTI. It is recognized that the selected MTC-RN would receive both an ACK and a NACK, so logically in this case the MTC-RN would interpret this to mean ACK. It should also be appreciated that the use of a group RNTI mechanism to address multiple MTC-RNs could be of more general applicability, and is not simply limited to the transmission of NACK messages.

A possible format for the 'Serving relay indication' MAC control element is shown in Figure 12. This MAC control element comprises a Random Access Temporary Identifier (RA-RNTI) as contained in the relayed preamble MAC control element, a relay device indicating field (S) which is a 1 bit field with '1' indicating that the relay device is the serving node and '0' indicating it is not the serving node, a RACH preamble ID part (RAPID) as contained in the relayed preamble MAC control element, and a reserved part (R).

Once an MTC-RN has been selected as a serving MTC-RN for a given MTC-UE (either because it was the only MTC-RN to relay the random access preamble or because DeNB arbitration selected it to be the serving relay node out of two or more candidates) then an entry for that MTC-UE will be made in a list of served MTC-UEs stored at the MTC-RN. The list would include the C-RNTI of the MTC-UE (used to identify and access communications between the DeNB and the MTC-UE), as well as some form of power control context information. This power control context information could include a target

channel interference between the MTC-RN and the MTC-UE so that TPC (Transmit Power Control) commands can be generated.

For the MTC case it is reasonable to assume that UEs will have a low mobility, and so once the UE has connected via the MTC-RN it will stay associated with the same MTC-RN.

5 For the mobility case a UE (e.g. non-MTC) can be added to the list when the DeNB informs the MTC-RN that it has been selected. The UE can be removed from the list when the UE disconnects the RRC connection.

MAC Relaying

10 As part of uplink-only relaying operation the relay device receives MAC (Media Access Control) Protocol Data Units (PDUs) from the terminal device and adds a new header termed 'MAC relay header' to the MAC PDUs.

Schematic illustrations of downlink and uplink end-to-end protocol stacks for uplink-only relaying are provided in Figures 13 and 14 respectively.

15 Figure 13 illustrates the downlink (base station to terminal device) end-to-end protocol stack. Protocol stacks are shown at the terminal device (MTC-UE), the relay device (MTC-RN) and the base station (DeNB). The MTC-RN is shown with two protocol stacks, as both transmit and receive functions for the MTC-RN are shown. The MTC-RN is likely to communicate with only one DeNB, but may communicate with multiple MTC-UEs. In order to reflect this, the DeNB protocol stack and the right hand protocol stack in the MTC-RN (that is, the protocol stack used to communicate with the DeNB) are shown as single stacks (single instance), whereas a plurality of parallel protocol stacks are shown for the MTC-UE and the left hand protocol stack of the MTC-RN (that is, the protocol stack used to communicate with the MTC-UEs). The protocol stacks for the MTC-UE, the DeNB and the right hand stack of the MTC-RN have the following layers (from the highest layer to the lowest layer):

- 25
- RRC (radio resource control);
 - PDCP (packet data convergence protocol);
 - RLC (radio link control);
 - MAC (medium access control); and
 - L1 (physical layer).

30 Control and data signalling for transmission from a transmitting device to a receiving device starts at a high layer (for example the RRC layer), is repeatedly transformed or processed through the various lower layers to the physical layer, and is then transmitted to the receiving device at the physical layer. At the receiving device the control signalling is received at the physical layer and then propagates up through the protocol stack typically to

35 the layer at which it originated in the transmitting device, for example the RRC layer.

Two signal flows are shown in Figure 13. The first of these is an MTC-UE data and control signal flow from the DeNB to the MTC-UE. This propagates down through the protocol stack at the DeNB and is transmitted directly to the MTC-UE at the physical layer (L1). As will be understood, downlink transmission from the DeNB to the MTC-UE is carried out directly, and not via the MTC-RN. The MTC-UE data and control signal flow, when received at the MTC-UE, propagates back up through the protocol stack at the MTC-UE. The second signal flow is an MTC-RN control signal flow from the DeNB to the MTC-RN. This propagates down through the protocol stack at the DeNB and is transmitted directly to the MTC-RN at the physical layer (L1). The MTC-RN control signal flow, when received at the MTC-RN, propagates back up through the protocol stack at the MTC-RN. For the downlink case, the left hand protocol stack at the MTC-RN (used for communicating with the MTC-UE) is not utilised, because the MTC-RN is not used to communicate with MTC-UEs on the downlink.

Figure 14 illustrates the uplink (terminal device to base station) end-to-end protocol stack. Protocol stacks are shown at the MTC-UE, the MTC-RN and the DeNB in the same configuration as Figure 13. Explanation of the layer structure will therefore not be repeated here. As with Figure 13, multiple MAC instances are provided between the MTC-RN and a potential plurality of MTC-UEs.

Two signal flows are shown in Figure 14. The first of these is an MTC-UE data and control signal flow from the MTC-UE to the DeNB. This propagates down through the protocol stack at the MTC-UE and is transmitted to MTC-RN at the physical layer. The control signal flow then propagates up to the MAC layer in the MTC-RN, where it is processed at the MTC-RN (in a manner to be described below) and then propagated back down to the physical layer and retransmitted to the DeNB at the physical layer. At the DeNB the MTC-UE data and control signalling propagates back up through the protocol stack. It will be appreciated from this that the MTC-UE data and control signalling is processed at the MTC-RN at the MAC layer. For this reason, the upper portion of the protocol stack for receiving data from the MTC-UE can be omitted, permitting simplification of the MTC-RN. The second signal flow is an MTC-RN control signal flow from the MTC-RN to the DeNB. This propagates down through the protocol stack at the MTC-RN and is transmitted directly to the DeNB at the physical layer (L1). The MTC-RN control signal flow, when received at the DeNB, propagates back up through the protocol stack at the DeNB. It will therefore be appreciated that a full protocol stack is required at the MTC-RN for controlling the communications link between the MTC-RN and the DeNB.

From Figures 13 and 14 it will be appreciated that processing is conducted at the MAC layer. In the MAC layer, data is communicated in MAC Protocol Data Units (PDUs) on the DL-SCH or the UL-SCH. Each MAC PDU comprises a MAC header, zero or more MAC Service Data Units (SDUs), zero or more MAC control elements, and optionally padding.

5 The MAC header may consist of multiple sub-headers, each corresponding to one of a MAC control element, a MAC SDU, or padding. The sub-headers contain certain information describing the contents and size of the respective MAC control element, MAC SDU, or padding. The header and sub-headers may comprise an LCID (Logical Channel Identifier) field which indicates either a logical channel for a corresponding MAC SDU, or a type of the

10 corresponding MAC control element. In Figures 13 and 14, MAC PDUs (of various different types) are transmitted from the MTC-UE and the MTC-RN on the uplink, between the MTC-RN to the DeNB on the uplink and downlink, and between the DeNB and the MTC-UE on the downlink.

When a MAC PDU is transmitted from the MTC-UE to the MTC-RN, the MTC-RN

15 adds the new 'MAC relay header' to the MAC PDUs (which could at this stage be considered to be SDUs because they serve as an input into MAC layer processing) and transmits the resulting MAC relayed PDU to the DeNB. This is schematically illustrated in Figure 15. In Figure 15, an MTC-UE 310 transmits a MAC PDU 315 to an MTC-RN 320. At the MTC-RN 320, the received unsegmented MAC PDU 315 is provided with a relay header 323 which

20 identifies the MTC UE 310 (UE identifier – for example the C-RNTI) and provides timing advance (TA) and power control information (typically a TPC decision). The timing advance information is derived by the MTC-RN based on a propagation time delay of the transmission from the MTC-UE to the MTC-RN. Similarly, the power control information is derived by the MTC-RN based on the reception power level of the transmission from the MTC-UE to the

25 MTC-RN. The timing advance and power control information are required by the MTC-UE in setting a transmission time and transmission power of a subsequent transmission to the MTC-RN. This information cannot be provided directly from the MTC-RN to the MTC-UE because the MTC-RN does not communicate with the MTC-UE on the downlink (uplink-only relay). In order that the MTC-UE can ultimately be provided with this information, it is

30 specified in the relay header 323. Conventional R/R/E/LCID/F/L and R/R/E/LCID elements (see section 6.1.2 of TS 36.321) may be used to indicate the existence of the MAC relay header control element and the size of the associated encapsulated MAC PDU from the MTC-UE. In addition, conventional MAC control elements 322 such as BSR (buffer status report) can be added, as defined in TS 36.321. It should be noted that a new LCID value for

35 the MAC relay header may also be required. It should also be noted that the received MAC

PDU from the MTC-UE becomes a MAC SDU in the MTC-RN (encapsulation), and that multiple MAC PDUs from a plurality of MTC-UEs can be transmitted in a single MAC PDU from the MTC-RN. Thus concatenation is possible; however segmentation of MAC PDUs from MTC UEs may not be.

5 To explain the difficulty in providing segmentation at the MTC-RN, it should be understood that, at an MTC-UE, physical resources are allocated for transmitting uplink data, and these physical resources represent a certain number of data bits that can be transported.

10 At the MTC-UE, the MAC layer determines, once headers have been taken into account, the amount of data that can be placed in the allocated resources and it asks the upper layer (which is the RLC) for a packet of this size (this would be referred to as a MAC SDU or RLC PDU, an SDU being the input to a layer while the PDU is the output of a layer). The RLC is responsible for splitting buffered packets into usually smaller (but not necessarily so) packets that are to be transmitted over the air interface. If big packets are being split into
15 smaller packets then this is referred to as segmentation. As will be appreciated from the above, this is conventionally carried out by the RLC. Once this data has arrived at the MAC layer it will match (in size) the allocation and can then be transmitted on the uplink.

The problem for the MTC-RN at MAC level is that there is no means of performing segmentation at the MAC layer (and we have no RLC layer to do this job for us), and so what
20 could happen is illustrated in the following simple example:

The MTC-RN receives 2 MAC PDUs from UEs that are to be relayed on to the DeNB. Each of them is 100 bits in size and they are from separate UEs. The MTC-RN informs the DeNB of it's buffer occupancy – 200bits. There is no obligation for the DeNB to grant an allocation which will transfer all of this data so an allocation of 190 bits may for example be
25 made. We have no means of segmentation at the MAC layer, so the only option the MTC-RN has is to send one of the MAC PDUs that need to relayed and waste the rest of the allocation. The situation could be even worse if the DeNB grants an allocation of less than 100 bits, because the MTC-RN is then unable to transmit anything.

If this were to be a major problem then it would be possible to provide new
30 functionality in MAC specifically for relay nodes that provides segmentation functions. However, this would result in an undesirable increase in complexity, and would have little advantage over relaying instead at the RLC level.

However, the lack of segmentation functionality at the MTC-RN may not be unduly problematic because:

(1) The radio link between the MTC-RN and the DeNB is likely to be much better than that between the MTC-RN and the MTC-UE. So it's relatively unlikely that a scenario where the MTC-RN can send less data than the MTC-UE has sent to the relay DeNB would arise; and

5 (2) The scheduler in the DeNB is aware that the MTC-RN is a relay node and it can have a reasonable idea of the size of the PDUs that are to be relayed by the MTC-RN (because it has previously allocated resources for these PDUs to MTC-UEs being served by the MTC-RN). Accordingly, the scheduler can allocate the MTC-RN a high priority and allocate uplink resources to the MTC-RN such that the
10 inefficiency discussed above does not occur, or is at least mitigated.

The MTC-RN will always send a MAC relay header control element even if it fails to receive the MAC PDU from the MTC-UE. This mechanism provides an implied ACK/NACK to the DeNB. It will be appreciated that the MTC-RN will be aware that a MAC PDU from an MTC-UE has failed to arrive because it is aware that uplink resources have been allocated to
15 the MTC-UE, and so can expect an uplink transmission from the MTC-UE at a particular time and frequency resource.

The MAC PDU 315 from the UE, the relay header 323 and the conventional MAC control elements 322 together make up a MAC relayed PDU 325 which is transmitted from the MTC-RN 320 to the DeNB 330.

20 At the DeNB 330 the following processing occurs:

The DeNB 330 receives the relayed MAC PDU 325 and acts as if this was normally received from a conventional UE. In particular, at a MAC processor 332, ACK/NACK indications are obtained in relation to the MTC-RN 320, TPC commands are generated in relation to the MTC-RN 320, and in the MAC layer the MAC control elements 322 are acted
25 on. It will be appreciated that these parameters and actions are directed at the MTC-RN 320.

At the DeNB 330, a relay demultiplexer 334 then uses the contents of the MAC relay header 323 to control timing advance control to the MTC UE 310. Also power control TPC commands are generated based on the power information contained in the header 323. ACK/NACK indications are based on the presence or absence of a MAC PDU 315 from the
30 MTC UE 310 within the MAC relayed PDU 325. This could be determined directly, or from the contents of a P field in the MAC relay header, as explained below.

The relay demultiplexer 334 also extracts the MAC PDU 315 originally transmitted by the MTC-UE 310 from the MAC relayed PDU 325 and returns this to the MAC processor 332 for processing. The C-RNTI contained in the MAC relay header control element is used to
35 identify the UE context in the MAC for processing the MAC PDU 315. Regular processing of

the MAC PDU 315 then occurs and ultimately a MAC SDU 338 corresponding to the data originated from the MTC-UE 310 is sent to higher layers of the protocol stack.

A suggested format for the MAC relay header control element is shown in figure 16. In Figure 16, C-RNTI is the relayed UE's C-RNTI, TPC is the TPC decision made at the relay device for the MTC UE, TA info is the timing advance info obtained at the relay device for the MTC UE, and P indicates the presence or absence of an associated MAC PDU. If the associated MAC PDU was received correctly then this bit will be set to '1' and the MAC PDU will be present in the payload of the MAC relayed PDU (i.e. there was a ACK). If set to '0' then no MAC PDU is present (i.e. there was a NACK).

An example of the new MAC relayed PDU structure is shown schematically in Figure 17 for a case where all of the scheduled transmissions from the MTC-UEs are correctly received by the MTC-RN.

A MAC header 410 of the PDU comprises a number of sub-headers 412, 414 and 416. The sub headers 412 correspond to respective control elements 420, 430 in the MAC payload. The sub headers 414 correspond to SDUs 440 in the MAC payload, and the sub head 416 corresponds to optional padding 450 within the MAC payload. Generally, the MAC header 410 is as currently defined in the LTE specification except that a new LCID value is available for use in R/R/E/LCID subheaders 412 so that associated MAC relay header control elements 430 can be signalled. The MAC control elements should preferably be ordered as follows:

Conventional MAC control elements 420 should be specified first. Note that in Figure 17 m conventional control elements 420 are provided.

MAC relay header control elements 430 should be placed after the conventional MAC control elements 420. There will be a MAC relay control element 430 for each MAC PDU to be relayed and the order of the MAC relay header control elements 430 will be the same as the order of the MAC PDUs to be relayed (for this case where all P fields are set to '1'). Note that in figure 17 there are n MAC relay header control elements 430 and n MAC PDUs to be relayed.

If a single MAC relayed PDU contains multiple received MAC PDUs from the same MTC-UE then the first received should be the first in the overall constructed MAC relayed PDU, the second the second and so on.

The MAC SDUs 440 in Figure 17 are actually MAC PDUs that have been received by the MTC-RN 320 and are to be relayed (they contain a MAC header, MAC control elements and a MAC SDU which has been transmitted from the MTC-UE 310). Note that in Figure 17 there are n MAC SDUs 440.

As can be seen in Figure 17 there are multiple MAC SDUs 440 in the constructed MAC relayed PDU. As discussed above each one of these MAC SDUs 440 is in fact a MAC PDU transmitted from a MTC-UE and received by the MTC-RN. These can come from either a single UE (where the received MAC PDUs have been stored over multiple transmission time intervals (TTI)) or from multiple different UEs. Thus a form of concatenation of multiple MAC PDUs from MTC-UEs to form a single MAC relayed PDU is possible. However it should be noted segmentation of the MAC PDUs received from MTC-UEs may not be possible.

An example of the new MAC relayed PDU structure is shown schematically in Figure 18 for a case where some of the scheduled transmissions from the MTC-UEs are not correctly received by the MTC-RN. A scheduled transmission may be considered as not correctly received if either it is not received at all, or if it was incorrectly received (corrupted or incomplete).

In Figure 18, there are still n MAC relay headers in a MAC header 510, because the MTC-RN is reporting on the same number of scheduled MTC-UE transmissions. As with Figure 17, a set of conventional MAC control elements 520 are present, as are a set of MAC relay headers 530, MAC SDUs 540 and optional padding 550. In Figure 18, some of the MAC relay header control elements 530 have their P field set to '0' to indicate that a MAC-PDU was not correctly received for an associated UL grant. It is assumed that there are p of these cases. For a MAC relay header control element 530 with P field set to '0' there is no associated MAC SDU. Thus the total number of MAC SDUs 540 (MAC PDUs actually received from MTC-UEs) is $n-p$. The order of the MAC relay headers 530 which have P set to '1' should correspond correctly with the MAC SDUs 540 contained in the MAC relayed PDU. Again, if a single MAC relayed PDU reports on multiple MAC PDU from a single MTC-UE, the order of the MAC relay control elements and the associated MAC SDUs (although these might not all be present) should be in order that they are scheduled to be received.

A suggested new LCID for the MAC relay header control element is shown highlighted in table 1 below (the non-highlighted values are the values currently defined in the LTE specification).

Index	LCID values
00000	CCCH
00001-01010	Identity of the logical channel
01011-11000	Reserved
11001	MAC relay header
11010	Power Headroom Report
11011	C-RNTI
11100	Truncated BSR
11101	Short BSR
11110	Long BSR
11111	Padding

Table 1 A suggested new LCID for the MAC relay header control element.

Relay Control

5 A procedure for handling the relaying of UE data by the relay following the random access procedure is now described with reference to Figure 19. When an MTC-UE wishes to send data to a DeNB it transmits a Scheduling Request (SR) on the PUCCH on a previously allocated time/frequency resource. This is typically a single bit (transmitted or not transmitted) within the allocated time/frequency resource. The DeNB is responsive to receiving the SR to allocate and signal an uplink grant to the MTC-UE.

Request for resource from the MTC-UE

 If no PUCCH (Physical Uplink Control Channel) resources have been assigned to the UE then it will need to conduct a random access procedure, this is described above in detail and indicated in Figure 19.

15 Once the random access procedure is complete the MTC-UE sends a SR (Scheduling Request) on the allocated PUCCH resource. The MTC-RN will have been informed of the PUCCH resources that the MTC-UE has been allocated and attempts to receive PUCCH transmissions at these instances. Two mechanisms by which the MTC-RN could be made aware of the PUCCH resources allocated to the MTC-UE are as follows:

- 20 (1) Directly after the random access procedure, the PUCCH resources will have been assigned to the MTC-UE in an RRCConnectionSetup RRC message which is sent unencrypted by the DeNB. It is therefore possible for the MTC-RN to monitor the PDCCH and the PDSCH for this RRC message and use the configuration information provided by this message to set up to receive a PUCCH transmission from the MTC-UE; or
- 25 (2) A new RRC message could be used to inform the relay node of the PUCCH resource assigned to the MTC-UE it is serving. The new RRC message could be transmitted directly to the MTC-RN by the DeNB, for example on the PDCCH and/or the PDSCH. The advantage of this option over the first option is that

with the first option if the PUCCH is reconfigured then the MTC-RN may not be able to determine this because subsequent RRC messages are encrypted.

When a PUCCH transmission is received by the MTC-RN in relation to an MTC-UE for which it is responsible, it generates a new MAC control element 'Relayed SR message' which contains a C-RNTI of the MTC-UE. Note that the MTC-RN may request and be granted uplink resources in order to send the relayed SR message to the base station in the same way as a conventional UE. It will be appreciated that there are other options for relaying the SR to the base station, for example using physical layer (L1) signalling, noting that the SR is generally a single 1 bit flag. The DeNB is responsive to the SR to allocate uplink resources to the MTC-UE. This uplink grant is communicated directly to the MTC-UE on the PDCCH. As will be explained further below, there may also be an optional additional separate message indicating (1) the MTC-UE uplink allocation to the relay device and (2) a subsequent uplink allocation for the MTC-RN to use in sending the encapsulated MTC-UE message to the DeNB.

15 General mechanism for relaying uplink MAC PDUs from the MTC-UE

The general mechanism for relaying uplink MAC PDUs from the MTC-UE is now described. In Figure 19 the BSR (Buffer Status Report) is transferred (this is the standard case for a first transmission after the SR in order to advise the DeNB how much data there is to send on the uplink and thus how much future uplink resource is to be required) but embodiments of the present invention apply similarly to user plane data.

There are a number of possible options described below; each depends on the level of inference (and the amount of signalling) that is made at the MTC-RN.

Option 1: Separate PDCCH grant to MTC-UE and indication of this grant to the MTC-RN with no implied grant to MTC-RN

25 In this case the following procedure occurs, as shown in Figure 20:

At a step A1, a grant of UL resources is made to the MTC-UE and communicated on the PDCCH. At around the same time, at a step A2, a separate grant is made to the MTC-RN which is different from a conventional grant because it does not actually allocate PUSCH resources but informs the MTC-RN that the MTC-UE has been allocated PUSCH resources. This allows the MTC-RN to configure its receiver appropriately. Note that this grant can take one of 2 forms:

1. A new PDCCH format which contains a modified uplink grant (certain parameters such as new data indicator are not needed) and a mechanism to indicate the UE that the allocation is being made to; or

2. A conventional PDCCH grant of downlink resources to the MTC-RN is made and a new MAC control element is sent to the MTC-RN on the subsequent PDSCH transmission which indicates the uplink resources which have been sent to the UE in question (identified by its C-RNTI). This mechanism is similar to the MAC random access response procedure, although there is no actual uplink grant to the MTC-UE, just an indication that a grant has been made to a particular UE.

At a step A3, the MTC-UE transmits on the PUSCH in the granted resources and this is received by the MTC-RN (the DeNB does not receive this PUSCH transmission). At a step A4, the MTC-RN acts in the same way as a UE with data newly arrived in its buffers and requests from the base station, and is subsequently granted (at a step A5), UL resources. At a step A6, the MTC-RN adds an uplink relay MAC header (see above), which contains power control and timing advance information, to the received MAC PDU from the MTC-UE and transmits this to the base station in the allocated resources. Note also that if the MTC-RN did not receive the MAC PDU from the MTC-UE the MTC-RN still sends an uplink relay MAC header but with no encapsulated MAC message from the MTC-UE. Following the step A6, the DeNB receives the data and a new MAC sub-layer is used to remove the header and determine the MTC-UE from which it ultimately came. Note that there is also timing advance and power control information in the MAC header. ACK/NACK is implied from the presence or absence of the encapsulated MAC message from the MTC-UE (possibly based on a "presence" bit in header information of the MAC message).

Figure 21 repeats the process of Figure 20, but schematically illustrates how the process is modified when the PUSCH transmission from the MTC-UE is not received at the MTC-RN. In particular, the steps A1, A2, A4 and A5 are identical to the identically numbered steps in Figure 20, and will therefore not be described again. A step A3' differs from the step A3 in Figure 20 because the transmission on PUSCH never reaches the MTC-RN (or alternatively arrives incomplete or corrupted). In this case, the MTC-RN still requests resources and sends a PUSCH transmission to the base station, but in this case there is no MTC-UE originating content included in the PUSCH transmission. This procedure effectively informs the base station that the scheduled transmission from the MTC-UE has failed.

Option 2: Single PDCCH grant to MTC-UE with no implied grant to MTC-RN

In this case the following procedure occurs, as shown in Figure 22:

At a step B1, a grant of UL resources is made to the MTC-UE and communicated to the MTC-UE on the PDCCH. No separate indication of these granted resources is sent to the MTC-RN. The MTC-RN is required to monitor the PDCCH to detect messages

associated with this MTC-UE (at a step B2). The MTC-RN is able to achieve this by performing a CRC (Cyclic Redundancy Check) mask on the PDCCH not only for its own C-RNTI (standard technique for a device to obtain PDCCH data intended for it), but also for the C-RNTI of the MTC-UE, which the MTC-RN is aware of (for example via the Random Access Response described above). In this way, the MTC-RN is able to identify that a grant has been provided to the MTC-UE and configure its receivers appropriately. The rest of the procedure is as defined in Option 1, with steps B3, B4, B5 and B6 corresponding to the steps A3, A4, A5 and A6 of Figures 22 and 23, the description of these therefore not being described here.

10 Option 3: Separate PDCCH grant to MTC-UE and indication of this grant to the MTC-RN with implied grant to MTC-RN

In this case the following procedure occurs, as shown in Figure 23:

As in Option 1 a grant of UL resources is made to the MTC-UE and transmitted on the PDCCH at a step C1. As in option 1 a separate grant is made to the MTC-RN at a step C2, which is different from a conventional grant because it does not actually allocate PUSCH resources but informs the MTC-RN that the MTC-UE has been allocated PUSCH resources. This allows the MTC-RN to configure its receiver appropriately. As in option 1 the MTC-UE transmits on PUSCH in the granted resources at a step C4, and this is received by the MTC-RN (the DeNB does not receive this PUSCH transmission). In contrast to Option 1, the reception of the message by the MTC-RN in step C4 implies a UL grant of resource in a later subframe (or also contains an additional explicit indication) to be used by the MTC-RN to send data to the DeNB. As an option, the base station may (at a step C3), transmit an MTC-RN PUSCH allocation message on the PDCCH to allocate uplink resources to the MTC-RN for relaying the subsequent PUSCH transmission at the step C4.

25 At a step C5, the MTC-RN adds an uplink relay MAC header (see below) to the received MAC PDU from the MTC-UE and transmits this in the allocated resources. Note also that if the MTC-RN did not receive the MAC PDU from the MTC UE it still sends a UL relay MAC header but with no encapsulated MAC message from the MTC-UE. Following the step C5, the DeNB receives the data and a new MAC sub-layer is used to remove the header and determine the MTC-UE from which it ultimately came. Note that there is also timing advance and power control information in the MAC header. ACK/NACK is implied from the presence or absence of the encapsulated MAC message from the MTC-UE.

30 Option 4: Single PDCCH grant to MTC-UE with implied grant to MTC-RN

In this case the following procedure occurs, as shown in Figure 24:

As in option 2 a single grant of UL resources is made to the MTC-UE and transmitted on the PDCCH at a step D1, which the MTC-RN also receives by monitoring the PDCCH at a step D2. There is an implied allocation in a later subframe based on this the reception of an allocation to a MTC-UE which the MTC-RN knows it is responsible for forwarding data to the DeNB. Subsequent steps D3 (which is optional), D4 and D5 correspond to the steps C3, C4 and C5 in Option 3 , the description of these therefore not being repeated here.

Comparison of Options

The benefits of Option 1 are as follows:

- The use of separate PDCCH messages for informing the MTC-RN of the uplink grant to the MTC-UE mean that the MTC-RN is not forced to monitor the PDCCH to see where the MTC-UE UL grants are made but is informed directly.
- The MTC-RN requests and is allocated explicit resources to send data from it to the DeNB. This has the advantage that it is much easier to operate efficient rate control for relaying transmissions from the MTC-RN. In particular, the MTC-RN will request only the uplink resources it needs to relay the messages actually received from the MTC-UE. Also, requesting resources from the base station improves the ease of concatenating MAC PDUs from multiple MTC-UEs into a single transmission.

The disadvantages of Option 1 are as follows:

- A new allocation mechanism would be required, for example similar to a RAR which indicates the C-RNTI of the MTC-UE and the uplink grant to inform the MTC-RN of allocations to the MTC-UE.
- The MTC-UE has no implied allocation of resources for it to send data back up to the DeNB, which gives rise to a delay penalty.

The benefits of option 2 are as follows:

- No separate indication is required to be sent to the MTC-RN to indicate that the MTC-UE has been granted uplink resources. This is more efficient than the communication of explicit indications.
- The MTC-RN requests and is allocated explicit resources to send data from it to the DeNB. This has the advantage that it is much easier to operate efficient rate control for relaying transmissions from the MTC-RN. In particular, the MTC-RN will request only the uplink resources it needs to relay the messages actually received from the MTC-UE. Also, requesting resources from the base station improves the ease of concatenating MAC PDUs from multiple MTC-UEs into a single transmission.

The disadvantages of Option 2 are as follows:

- The MTC-RN is required to look at PDCCH messages not intended for it and for it to set up its receivers to receive the indicated uplink resources.
- The MTC-UE has no implied allocation of resources for it to send data back up to the DeNB, resulting in a delay penalty.

5 The benefits of Option 3 are as follows:

- The use of separate PDCCH messages for informing the MTC-RN of the uplink grant to the MTC-UE mean that the MTC-RN is not forced to monitor the PDCCH to see where the MTC-UE UL grants are made but is informed directly.
- The MTC-RN implies an uplink grant from the indication that it is to receive data from the MTC-UE. This is more efficient in terms of signalling and reduces delay.

10

The disadvantages of Option 3 are as follows:

- A new allocation mechanism would be required, for example similar to a RAR which indicates the C-RNTI of the MTC-UE and the uplink grant to inform the MTC-RN of allocations to the MTC-UE.

15

- It would be difficult to run an efficient rate control function and if the MTC-RN fails to receive the transmission from the MTC-UE there will only be the small relay header to send – this might require far less resources than actually allocated by the base station.

The benefits of Option 4 are as follows:

20

- No separate indication is required to be sent to the MTC-RN to indicate that the MTC-UE has been granted uplink resources. This is more efficient than the transmission of explicit indications.
- The MTC-RN implies an uplink grant from the indication that it is to receive data from the MTC-UE. This is clearly more efficient in terms of signalling and reduces delay.

25

The disadvantages of Option 4 are as follows:

- The MTC-RN is required to look at PDCCH messages not intended for it and for it to set up its receivers to receive the indicated uplink resources.
- It would be difficult to run an efficient rate control function and if the MTC-RN fails to receive the transmission from the MTC-UE there will only be the small relay header to send – this might require far less resources than actually allocated by the base station.

30

Overall option 2 probably offers the best choice for MTC devices in an LTE network, but as can be appreciated from the above all of the options have their relative merits.

35 The discussion above highlighted the need for a mechanism to relay scheduling requests (SR) received on PUCCH by the MTC-RN to the DeNB. This is achieved by the

use of a new MAC control element, the 'relayed SR' MAC control element. A proposed structure for this MAC control element is shown in Figure 25. The relayed SR needs only indicate the MTC-UE's C-RNTI (the LCID in the MAC header will tell the DeNB this is a relayed SR and thus a small uplink allocation is needed to send a BSR).

5 The new PDCCH approach may use a cut down version of DCI format 0 (CQI request, TPC command and new data indicator are not required by the MTC-RN which is only performing reception of the allocated UL resources) together with a relayed UE identifier which is an index into a table which contains the actual C-RNTIs of the MTC-UEs that the MTC-RNs is tasked with relaying. This table is signaled to the MTC-RN by (preferably) RRC
10 signalling. This will of course mean that RRC messaging is needed to configure the MTC-RN correctly.

 An example implementation of a new MAC control element for indicating to the MTC-RN on which uplink resources to expect a transmission from the MTC-UE is schematically illustrated in Figure 26 is termed an 'MTC-UE allocation' control element. The MTC-UE
15 allocation control element is similar to the RAR format but needs its own LCID as it is used to inform the MTC-RN it must turn on its receivers to receive the indicated UL allocation from the MTC-UE. The MTC-UE allocation control elements comprises a C-RNTI field which specifies the C-RNTI of the MTC UE to which an uplink grant has been made. A field "UL grant" specifies the grant provided to the MTC-UE which the MTC-RN should setup to
20 receive. The "R" field is Reserved.

 Overall the PDCCH approach is preferable because it requires a single message whereas the new MAC control element approach means that two messages are needed, one of which is sent on the PDSCH which is potentially subject to a block error rate (BLER) target (because HARQ is operating on this channel).

25 In Figure 27, a schematic diagram of a wireless communications system 1000 comprising a base station (DeNB) 1100, a relay device (MTC-RN) 1200 and a terminal device (MTC-UE) 1300 is shown. The DeNB 1100 comprises a transmitter/receiver part 1120 (transmitter and receiver) which transmits and receives data over an air interface using an antenna 1125. The DeNB 1100 also comprises a processor 1140 which controls the
30 scheduling of communications over the air interface as well as coordinating the operation of the DeNB 1100 with the core network elements shown in Figure 2 (not shown here). The DeNB 1100 is connected to the core network via a backhaul link 1160. The DeNB 1100 communicates in both the downlink and uplink direction with the MTC-RN 1200 over the air interface on a communication link 1400.

The MTC-RN 1200 comprises a transmitter/receiver part 1220 (transmitter and receiver) which transmits and receives data over an air interface using an antenna 1225. The MTC-RN 1200 also comprises a processor 1240 which controls the transmitter/receiver part 1220 in receiving and transmitting data over the air interface. The processor 1240 may also control the measurement of a received signal strength and propagation delay from the MTC-UE over the air interface, and is responsible for processing UE MAC PDUs into relayed MAC PDUs in the manner described above. The MTC-RN 1200 communicates in both the downlink and uplink direction with the DeNB 1100 over the air interface on a communication link 1400, and receives uplink transmissions from the MTC-UE 1300 over the air interface on a communications link 1500. The communications link 1500 is unidirectional (uplink only), because the MTC-RN 1200 does not transmit to the MTC-UE 1300.

The MTC-UE 1300 comprises a transmitter/receiver part 1320 (transmitter and receiver) which transmits and receives data over an air interface using an antenna 1325. The MTC-UE 1300 also comprises a processor 1340 which controls the transmitter/receiver part 1320 in receiving and transmitting data over the air interface. The processor 1340 may also control other functions related to the purpose of the MTC-UE 1300. For example, if the MTC-UE is a measurement device intended to report back measurements (e.g. temperature, or power usage) via the network, then the processor 1340 may be responsible to handling the taking and processing of these measurements, as well as for packaging the measurement data (into MAC PDUs) for transmission. The MTC-UE 1300 receives transmissions from the DeNB 1100 in the downlink direction on a communications link 1600 (solid arrow), and may transmit directly to the DeNB 1100 in the uplink direction on the communications link 1600 (dashed arrow) should it be within uplink transmission range. If the MTC-UE 1300 is out of range, then all uplink transmissions from the MTC-UE 1300 to the DeNB 1100 will be made via the MTC-RN 1200.

It will be appreciated that, while the present embodiment describes a single-hop relay situation, a multi-hop relay architecture could be similarly envisaged, with the DeNB controlling the scheduling of uplink resources at each link in a chain of for example MTC-UE → MTC-RN1 → MTC-RN2 → DeNB.

The above description is based on MTC devices operating within an LTE network. It will however be understood that the principles of the present invention are not limited to this, and may be applied to other networks and other classes of terminal device.

CLAIMS

1. A wireless communications system, comprising:
a base station;
a relay device; and
5 a terminal device; wherein
the terminal device is operable
to transmit one or more access request messages of a first type to request uplink
resources from the base station, and
if no response to the transmitted access request messages of the first type is
10 received from the base station, to transmit an access request message of a second type;
the base station is responsive to an access request message of the first type received
from the terminal device to transmit an allocation of uplink resources to the terminal device;
the relay device is responsive to an access request message of the second type
15 received from the terminal device to transmit a relayed access request message to the base
station to request the base station to allocate uplink resources to the terminal device; and
the base station is responsive to the relayed access request message from the relay
device to transmit an allocation of uplink resources to the terminal device.
2. A wireless communications system according to claim 1, wherein
20 the terminal device is operable to transmit uplink data to the relay device on the
allocated uplink resources; and
the relay device is operable to relay to the base station the uplink data received from
the terminal device.
- 25 3. A wireless communications system according to claim 1 or claim 2, wherein the
terminal device is operable
to repeatedly transmit access request messages of the first type at successively
higher power levels until a response is received from the base station or until a maximum
power level is reached; and
30 if no response to the access request message of the first type at the maximum power
level is received from the base station, to transmit the access request message of the second
type.
4. A wireless communications system according to claim 3, wherein the access request
35 message of the second type is transmitted at the maximum power level.

5. A wireless communications system according to claim 3 or 4, wherein the maximum power level for transmitting the access request messages of the first type is less than the maximum transmission power of the terminal device.

5

6. A wireless communications system according to any preceding claim, wherein the relay device is operable to determine an identifier for the terminal device from which the access request message of the second type was received and include the identifier in the relayed access request message transmitted to the base station; and
10 the base station uses the identifier to transmit an allocation of uplink resources to the terminal device.

7. A wireless communications system according to claim 6, wherein the access request messages are transmitted on a random access channel; and
15 the relay device is operable to determine an identifier for the terminal device from the time and/or frequency resource within the random access channel used to transmit the access request message of the second type.

8. A wireless communications system according to any preceding claim, wherein
20 the relay device is operable to measure a received signal power of the access request message of the second type received from the terminal device; and to set power control information in the relayed access request message for controlling a power level of a subsequent transmission from the terminal device to the relay device on
25 the allocated uplink resources.

9. A wireless communications system according to claim 8, wherein the power control information specifies a power offset from the received signal power of the access request message of the second type.

30

10. A wireless communications system according to claim 8 or claim 9, wherein the allocation of uplink resources transmitted from the base station to the terminal device comprises the power control information for controlling the transmission power of the subsequent transmission from the terminal device to the relay device.

35

11. A wireless communications system according to any preceding claim, wherein the relay device is operable
to measure a propagation time delay between the terminal device and the relay device of the access request message of the second type;
5 to determine, based on the propagation time delay, a required timing advance offset for a subsequent transmission from the terminal device to the relay device so that a receive time of the subsequent transmissions at the relay device is synchronised with a receive time of transmissions from other terminal devices; and
to specify said timing advance offset in the relayed access request message.
10
12. A wireless communications system according to claim 11, wherein the allocation of uplink resources transmitted from the base station to the terminal device comprises the timing advance offset for controlling the timing of a subsequent transmission from the terminal device to the relay device.
15
13. A wireless communications system according to any preceding claim, wherein the relayed access request message comprises an identification of the terminal device which transmitted the message.
- 20 14. A wireless communications system according to any preceding claim, wherein the relay device is responsive to an access request message of the second type received from the terminal device to request the base station to allocate uplink resources to the relay device to transmit the relayed access request message;
the base station is responsive to the request from the base station to allocate uplink
25 resources to the relay device; and
the relay device is operable to transmit the relayed access request message to the base station using the uplink resources allocated to the relay device by the base station.
15. A wireless communications system according to claim 2, wherein
30 the access request messages of the first type are Random Access Channel preambles selected from a first group of Random Access Channel preambles;
the access request messages of the second type are Random Access Channel preambles selected from a second group of Random Access Channel preambles;
the allocation of uplink resources transmitted from the base station to the terminal
35 device is a Random Access Response; and

the uplink data transmitted by the terminal device on the allocated uplink resources is a Message 3.

16. A wireless communications system according to claim 2, wherein the uplink data
5 comprises one or both of control information and data.

17. A wireless communications system according to claim 2, wherein
the relay device is operable
to measure a received signal power of the uplink data received from the terminal
10 device; and
to set power control information in the relayed uplink data for controlling a power level
of a subsequent transmission from the terminal device to the relay device.

18. A wireless communications system according to claim 2, wherein
15 the relay device is operable
to measure a propagation time delay between the terminal device and the relay
device of the uplink data;
to determine, based on the propagation time delay, a required timing advance offset
for a subsequent transmission from the terminal device to the relay device so that a receive
20 time of the subsequent transmission at the relay device is synchronised with a receive time of
transmissions from other terminal devices; and
to specify said timing advance offset in the relayed uplink data.

19. A wireless communications system according to claim 2, wherein the relayed uplink
25 data comprises an identification of the terminal device which transmitted the uplink data.

20. A wireless communications system according to any preceding claim, wherein
the relay device is responsive to the uplink data received from the terminal device to
request the base station to allocate uplink resources to the relay device to transmit the
30 relayed uplink data;
the base station is responsive to the request from the base station to allocate uplink
resources to the relay device; and
the relay device is operable to transmit the relayed uplink data to the base station
using the uplink resources allocated to the relay device by the base station.

35

21. A wireless communications system according to any preceding claim, wherein the base station is responsive to receiving relayed access request messages from plural relay devices in relation to the same access request message of the second type to:
select one of the relay devices to serve the terminal device; and
5 to inform the selected relay device that it is to serve as the relay device for the terminal device.
22. A wireless communications system according to claim 21, wherein the relayed access request message comprises an indication of the received power
10 level of the access request message of the second type; and the base station is operable to select as the serving relay device the relay device having received the access request message of the second type at the highest power level.
23. A wireless communications system according to claim 22, wherein
15 if two or more of the plural relay devices received the access request message of the second type at substantially the same power level, the base station is operable to select as the serving relay device the relay device, of those having received the access request message of the second type at substantially the same power level, which is currently serving the fewest terminal devices.
20
24. A wireless communications system according to any one of claims 21 to 23, wherein the base station transmits a negative acknowledgement message to those of the plural relay devices not selected to serve the terminal device.
25. A wireless communications system according to claim 24, wherein
25 the negative acknowledgement message is transmitted via a group identifier to all of the plural relay devices; and the relay device selected as the serving relay device is responsive to being informed by the base station that it is to be the serving relay device to ignore the negative
30 acknowledgement message.
26. A method of wirelessly communicating data from a terminal device to a base station via a relay device, comprising:
35 transmitting one or more access request messages of a first type from the terminal device to request uplink resources from the base station, and

if no response to the transmitted access request messages of the first type is received at the terminal device from the base station, transmitting an access request message of a second type from the terminal device to the base station;

responsive to an access request message of the first type being received at the base station from the terminal device, transmitting from the base station an allocation of uplink resources to the terminal device;

responsive to an access request message of the second type being received at the relay device from the terminal device, transmitting from the relay device a relayed access request message to the base station to request the base station to allocate uplink resources to the terminal device; and

responsive to the relayed access request message being received at the base station from the relay device, transmitting from the base station an allocation of uplink resources to the terminal device.

27. A method of receiving, at a base station, wireless communications from a terminal device via a relay device, comprising:

responsive to access request message of a first type being received from the terminal device, transmitting an allocation of uplink resources to the terminal device; and

responsive to a relayed access request message from the relay device requesting the base station to allocate uplink resources to the terminal device being received, transmitting an allocation of uplink resources to the terminal device, the relayed access request message being transmitted from the relay device to the base station in response to an access request message of a second type being received at the relay device; wherein

the access request message of the second type is transmitted by the terminal device if no response to the transmitted access request message of the first type is received from the base station.

28. A base station for receiving wireless communications from a terminal device via a relay device, the base station comprising:

a receiver; and

a transmitter, responsive to access request message of a first type being received at the receiver from the terminal device to transmit an allocation of uplink resources to the terminal device; and

responsive to a relayed access request message from the relay device requesting the base station to allocate uplink resources to the terminal device being received at the receiver

to transmit an allocation of uplink resources to the terminal device, the relayed access request message being transmitted from the relay device to the base station in response to an access request message of a second type being received at the relay device; wherein the access request message of the second type is transmitted by the terminal device if no
5 response to the transmitted access request message of the first type is received from the base station.

29. A wireless communications system substantially as hereinbefore described with reference to the accompanying drawings.

10

30. A base station substantially as hereinbefore described with reference to the accompanying drawings.

31. A method of wirelessly communicating data between a base station and a terminal
15 device substantially as hereinbefore described with reference to the accompanying drawings.

32. A computer program which when executed on a computer causes the computer to carry out a method according to claim 26 or claim 27.

20 33. A recording medium storing the computer program of claim 32.

34. Apparatus for wirelessly communicating data from a terminal device to a base station via a relay device, comprising:

25 means for transmitting one or more access request messages of a first type from the terminal device to request uplink resources from the base station, and

means for transmitting an access request message of a second type from the terminal device to the base station, if no response to the transmitted access request messages of the first type is received at the terminal device from the base station;

30 means for transmitting from the base station an allocation of uplink resources to the terminal device, in response to an access request message of the first type being received at the base station from the terminal device;

35 means for transmitting from the relay device a relayed access request message to the base station to request the base station to allocate uplink resources to the terminal device, in response to an access request message of the second type being received at the relay device from the terminal device; and

means for transmitting from the base station an allocation of uplink resources to the terminal device in response to the relayed access request message being received at the base station from the relay device.

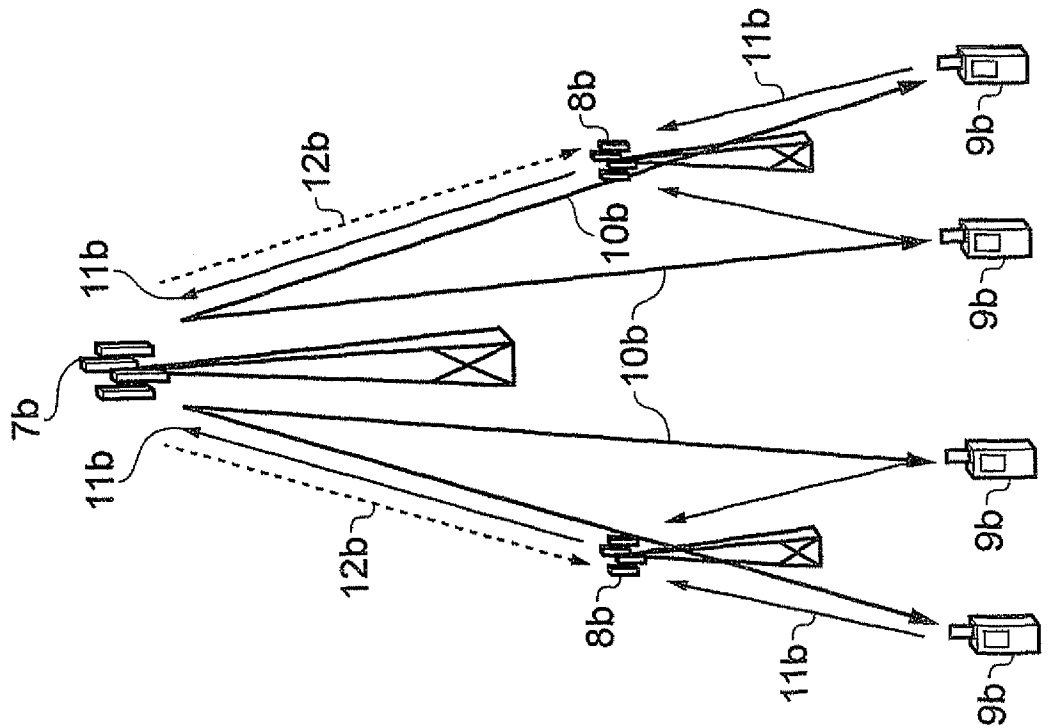


FIG. 1B

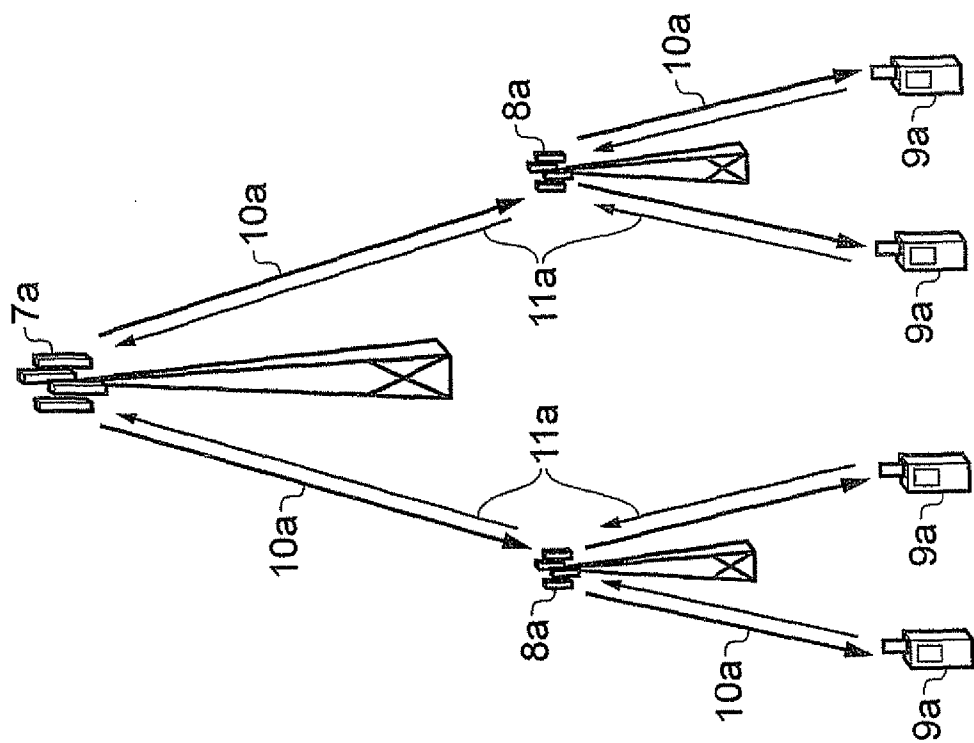


FIG. 1A

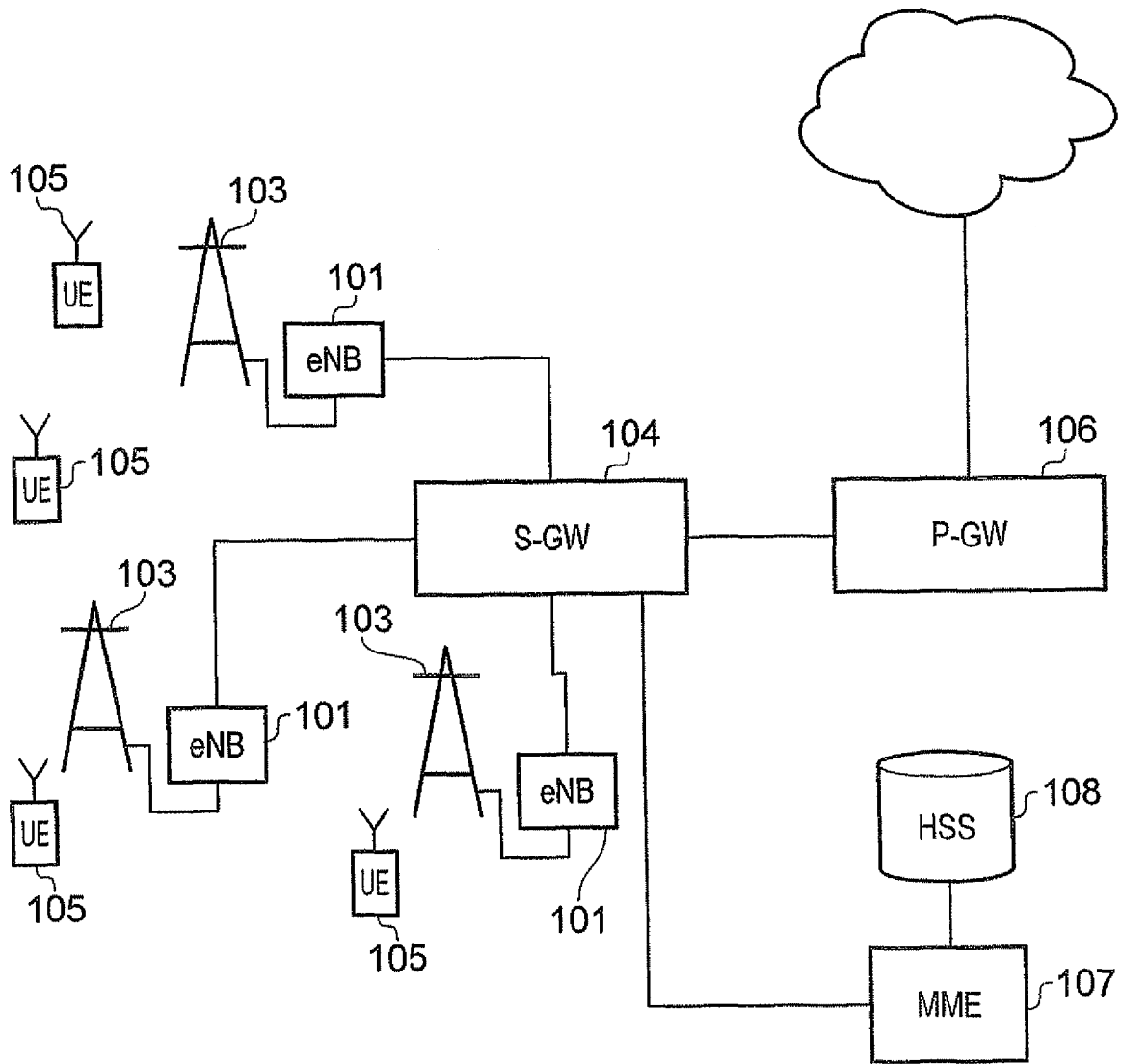


FIG. 2

3/15

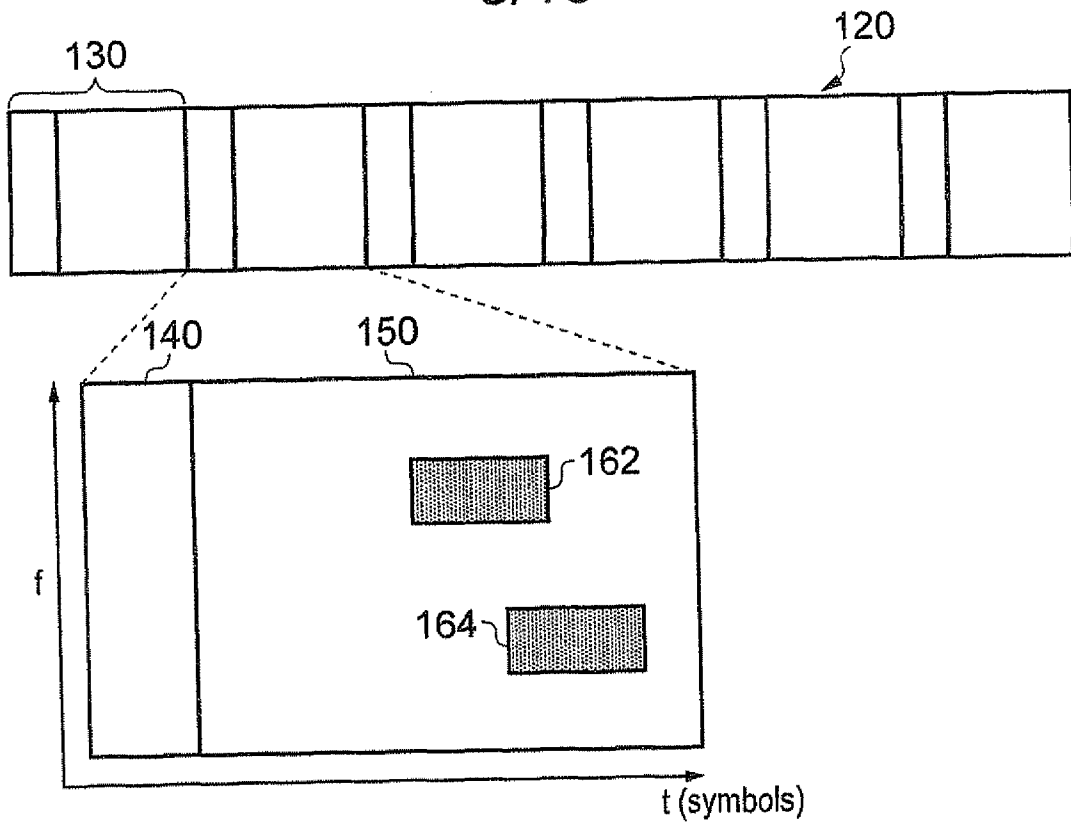


FIG. 3

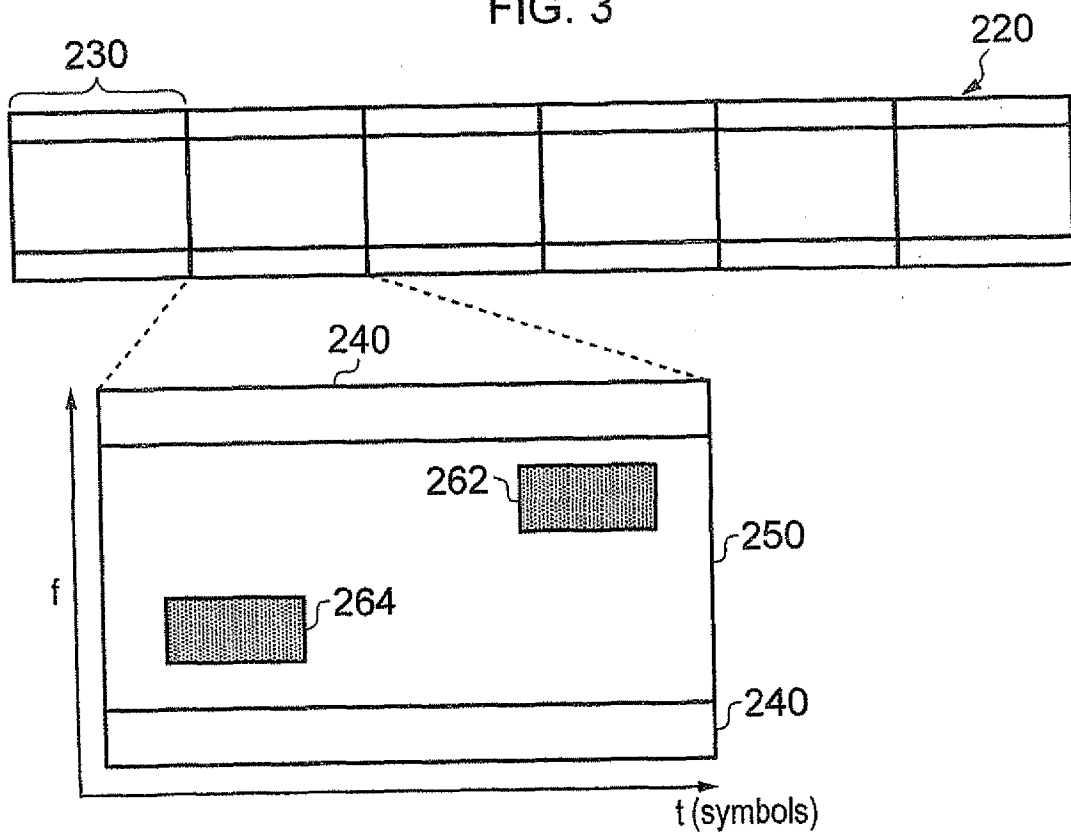


FIG. 4

4/15

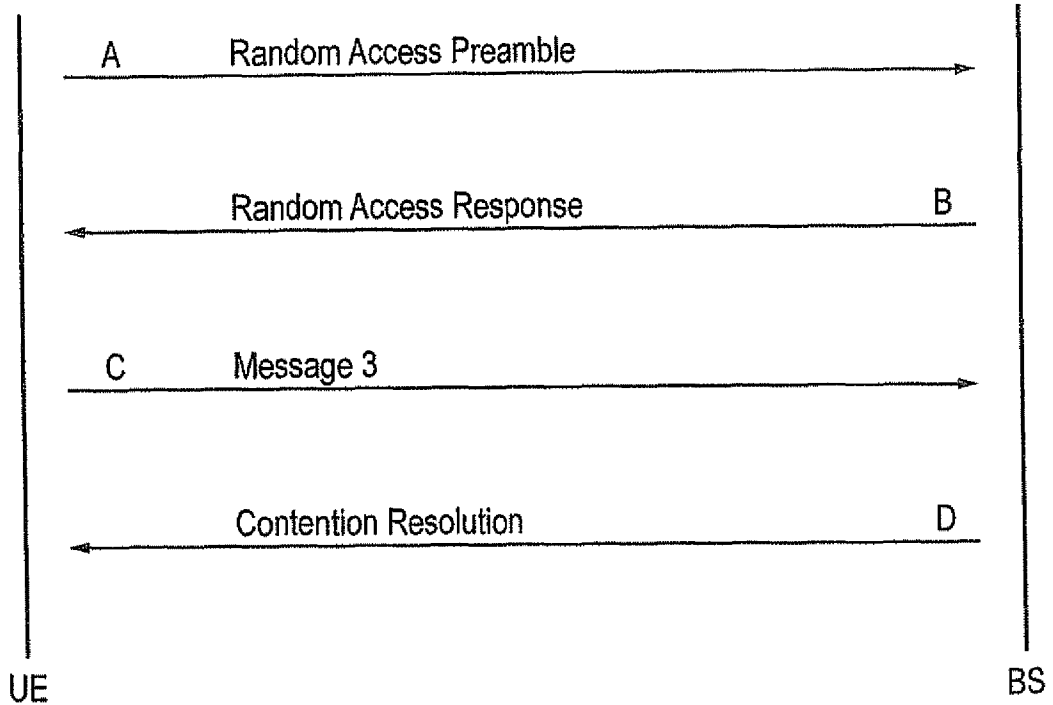


FIG. 5

Relay can identify failures by noting received RACH preamble without corresponding RACH response with appropriate RA-RNTI. However it can't know they are coming from the same UE

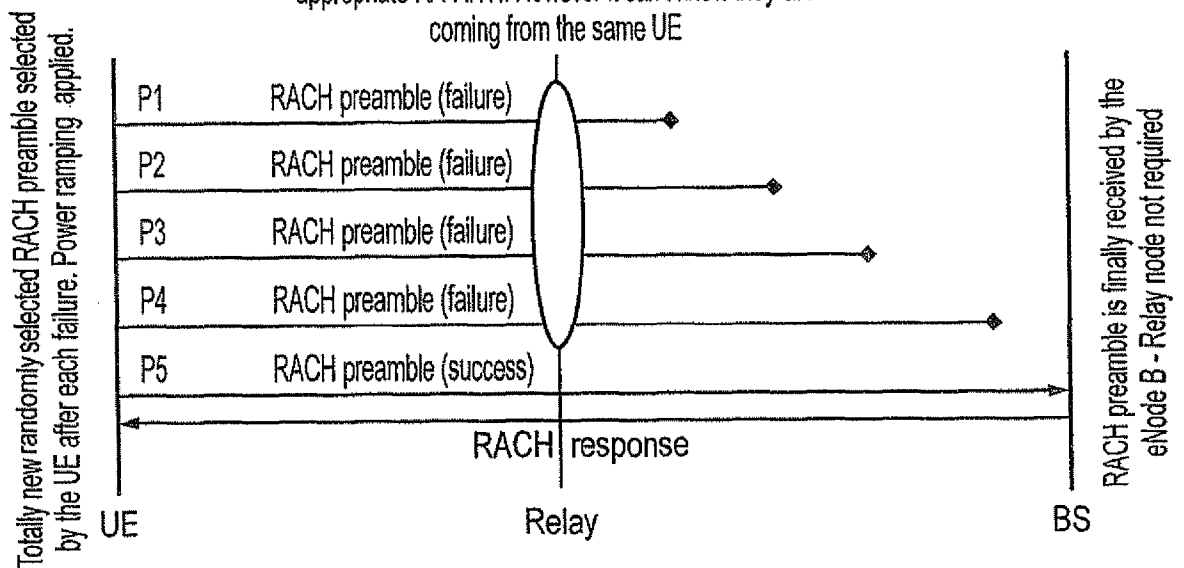


FIG. 6

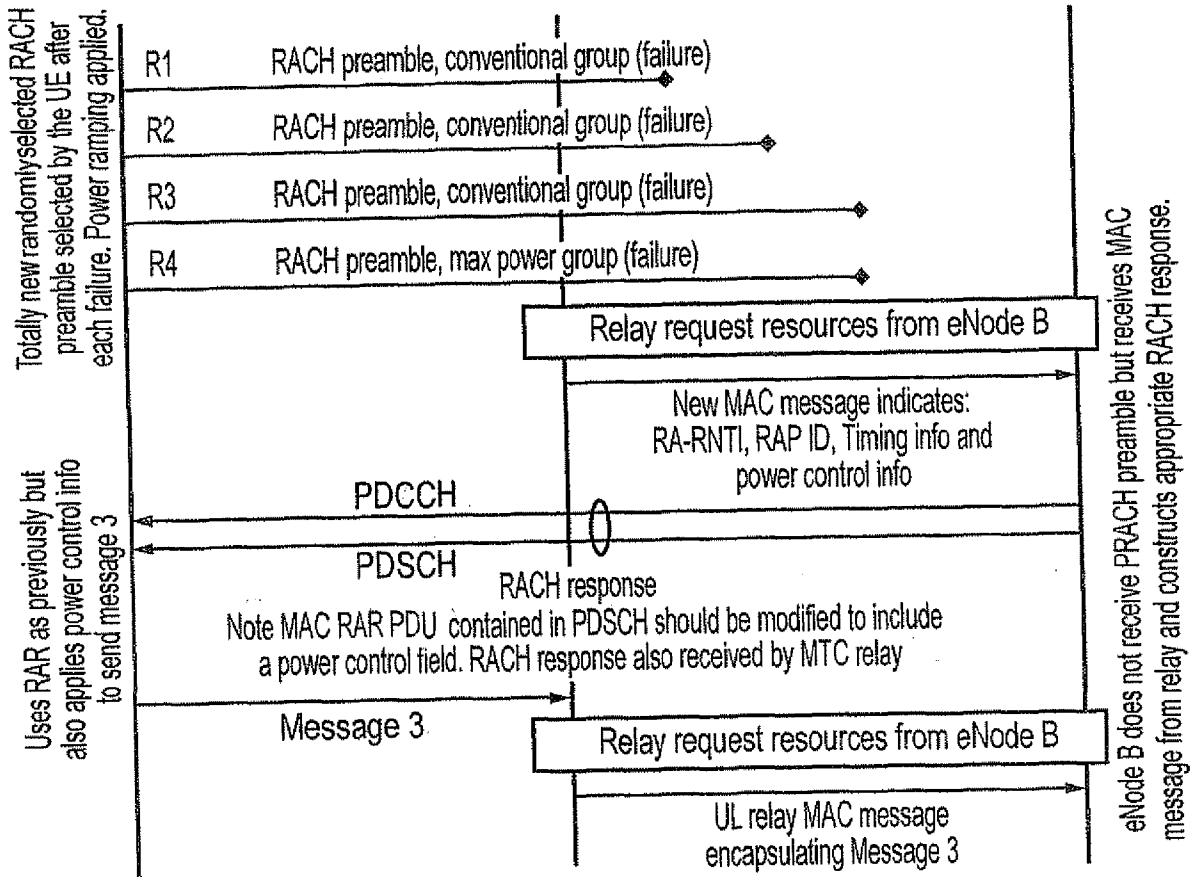


FIG. 7

R	TA command	
TA command		UL grant
UL grant		
UL grant		
Temporary C-RNTI		
Temporary C-RNTI		
Power control info		PAD

FIG. 9

R	TA command	
TA command		RAP ID
RAP ID	Power control info	
RA-RNTI		PAD

FIG. 8

6/15

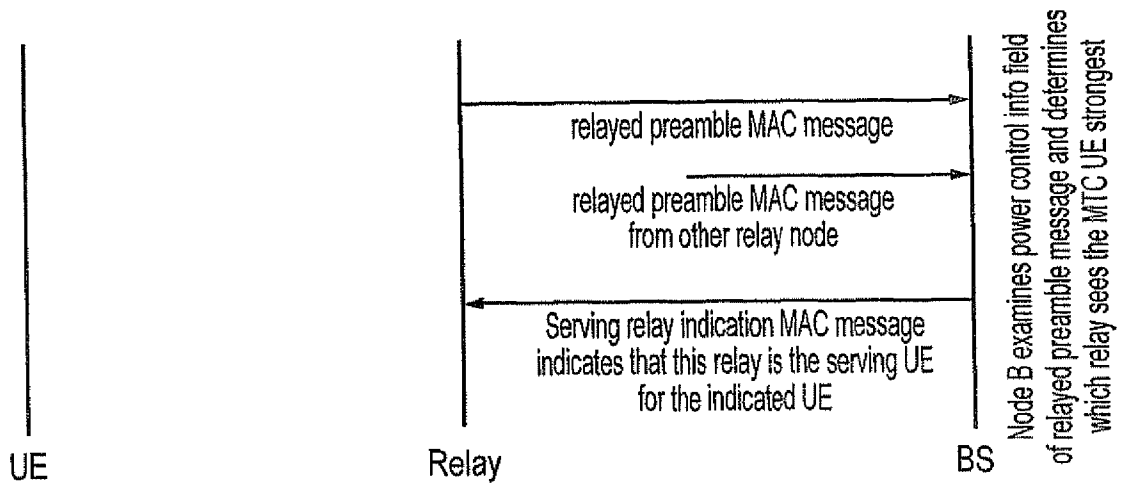
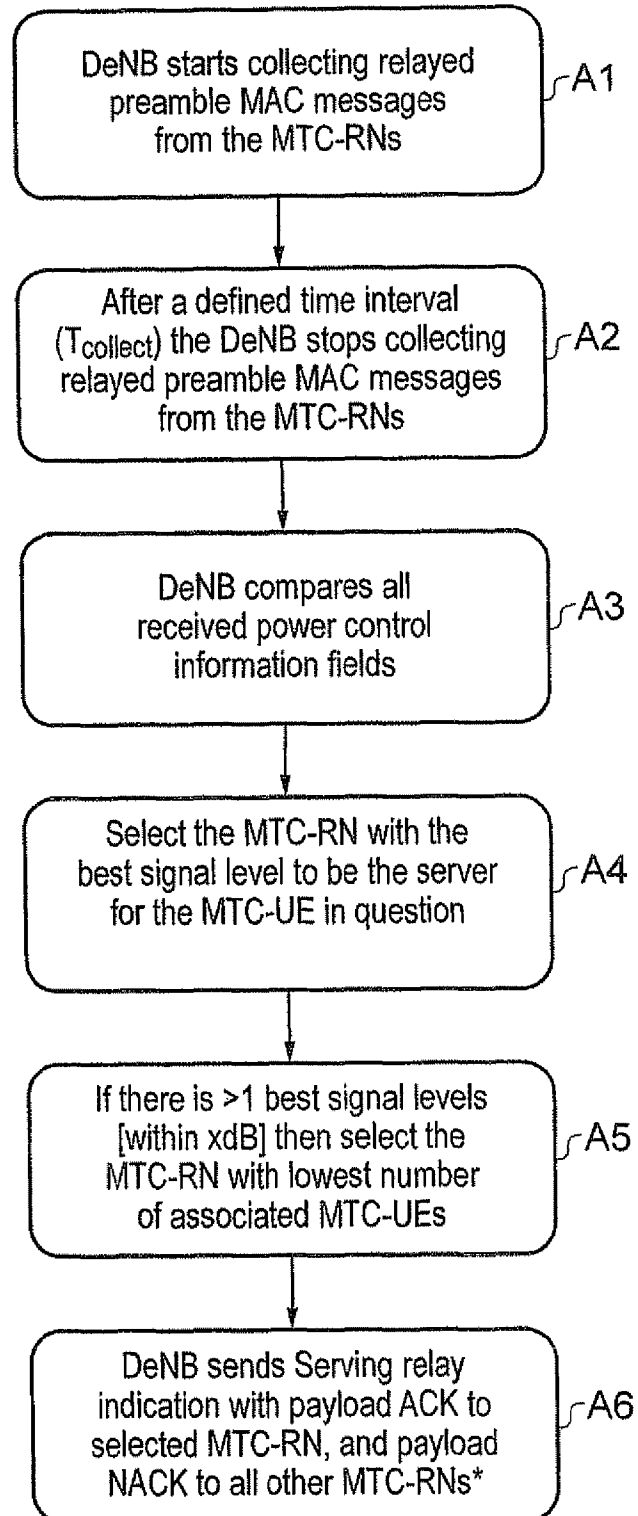


FIG. 10

RA-RNTI	S
RAP ID	R

FIG. 12

7/15



* A possible realisation for indicating a NACK to all associated MTC-RNs is the use of PDSCH allocation scrambled with a RN-RNTI

FIG. 11

8/15

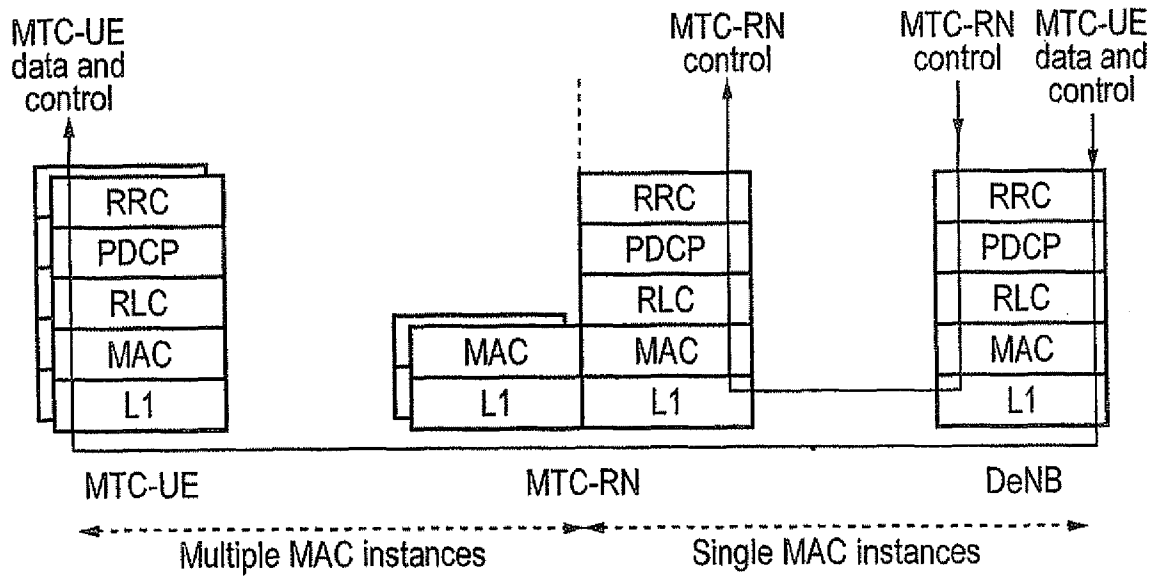


FIG. 13

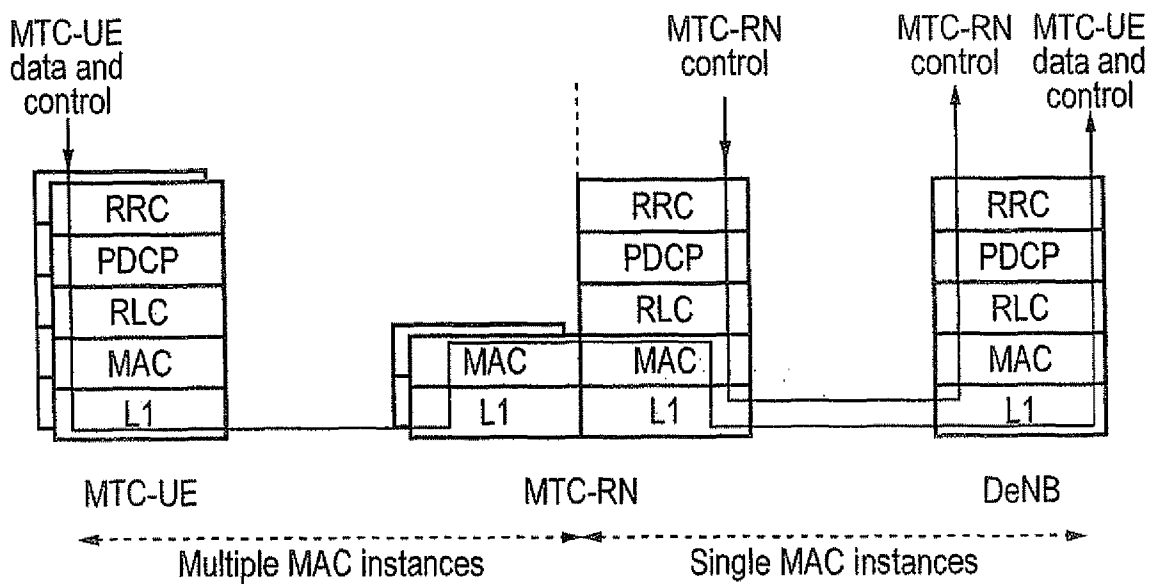


FIG. 14

C-RNTI		
C-RNTI		
TPC	TA info	P

FIG. 16

9/15

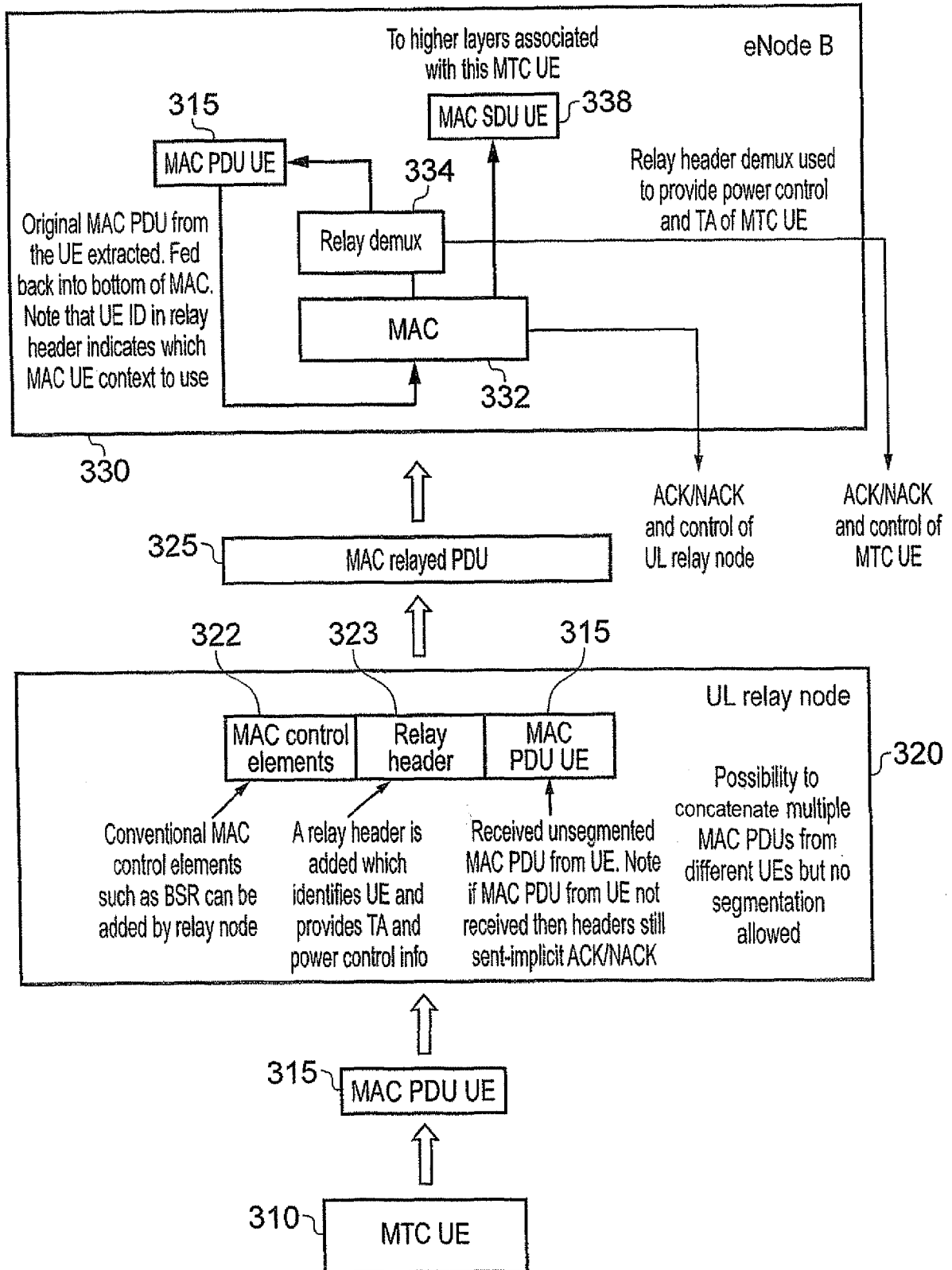


FIG. 15

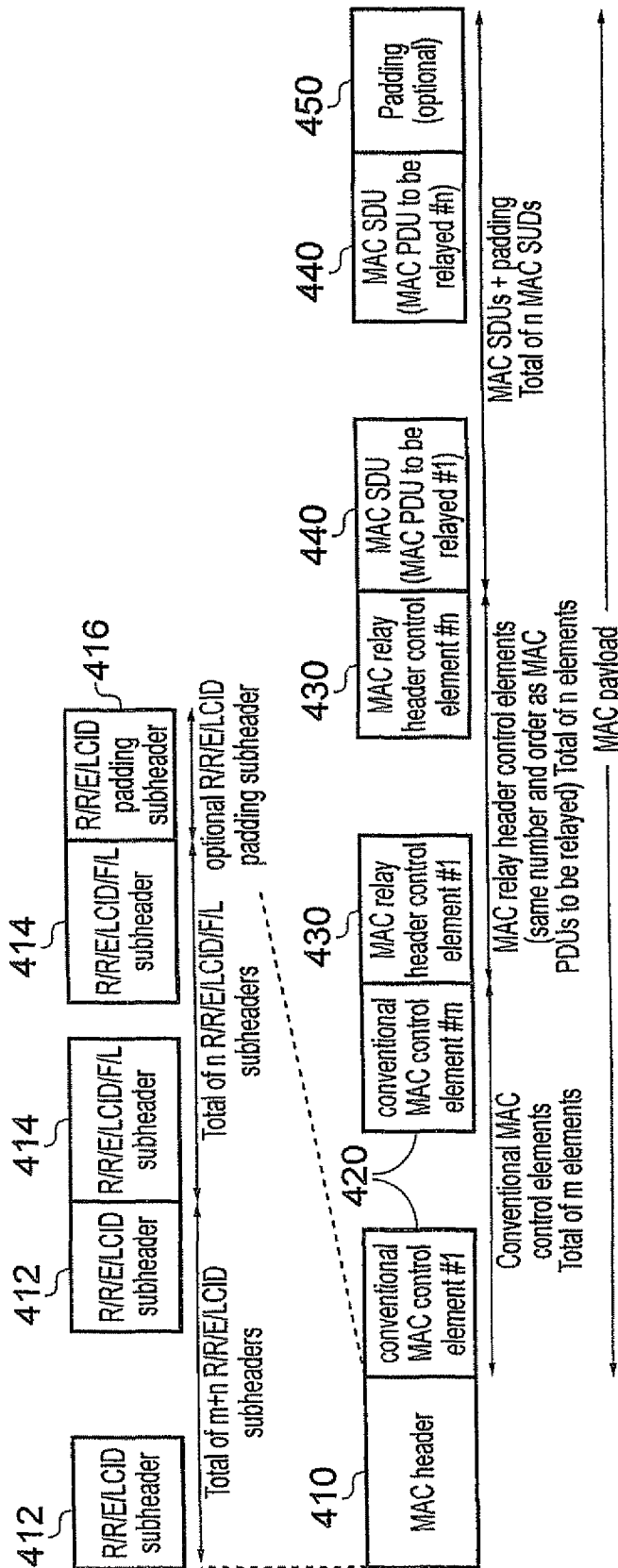


FIG. 17

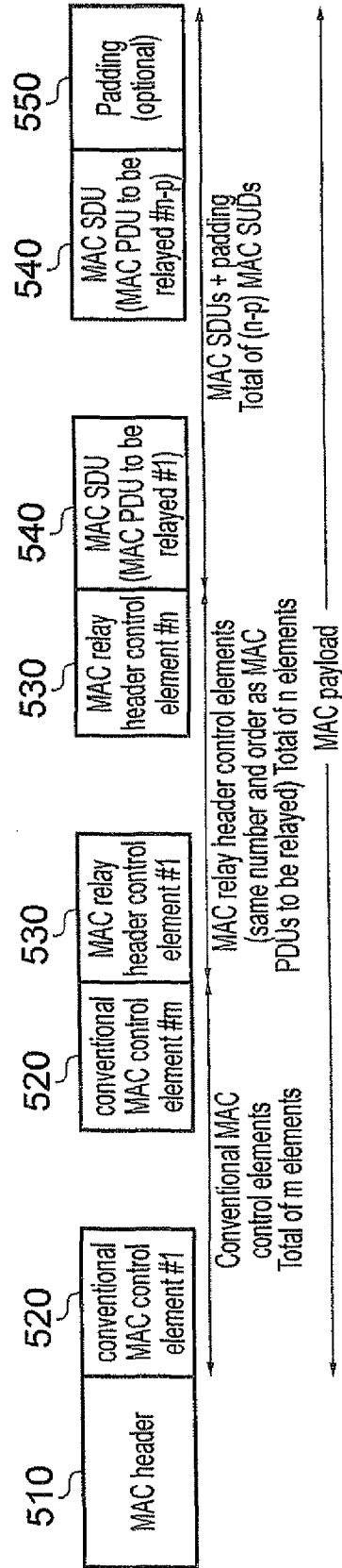


FIG. 18

11/15

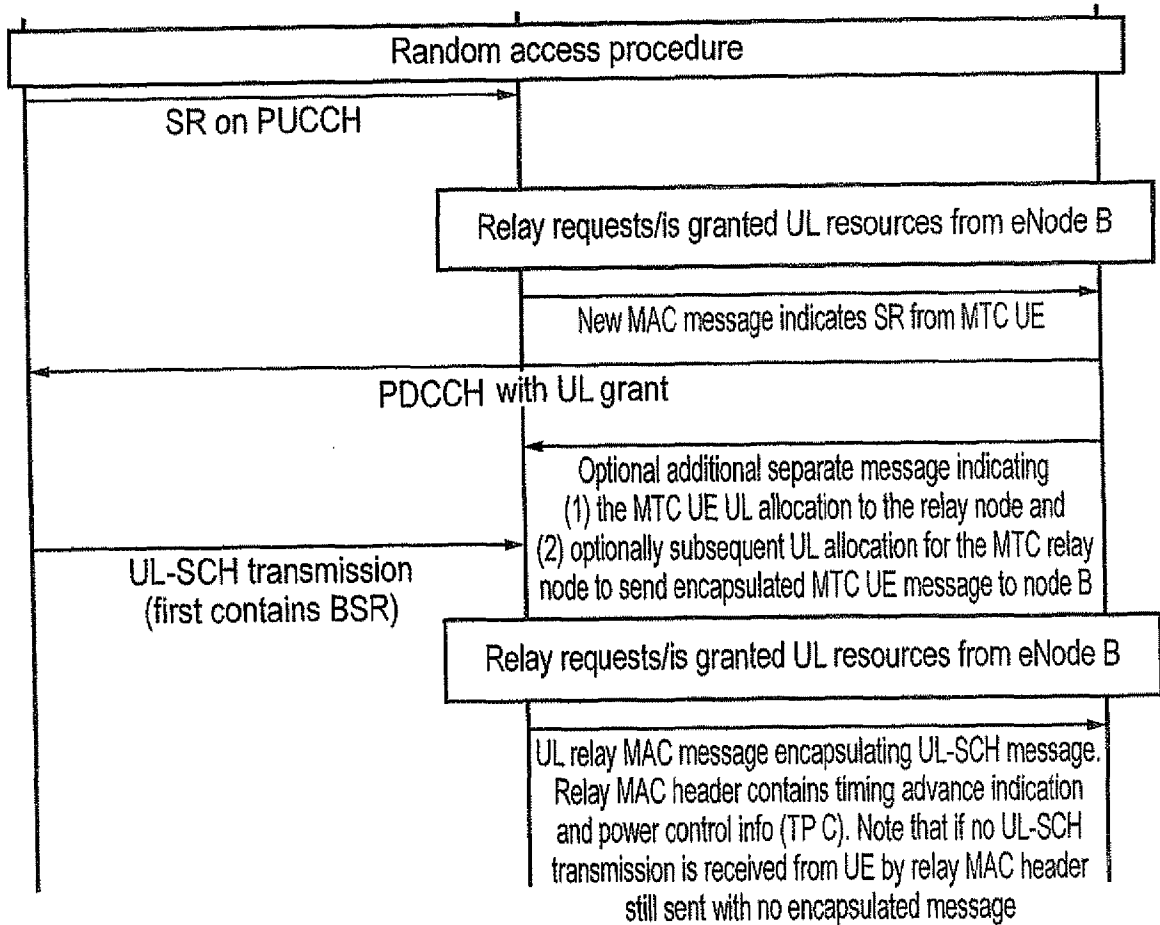


FIG. 19

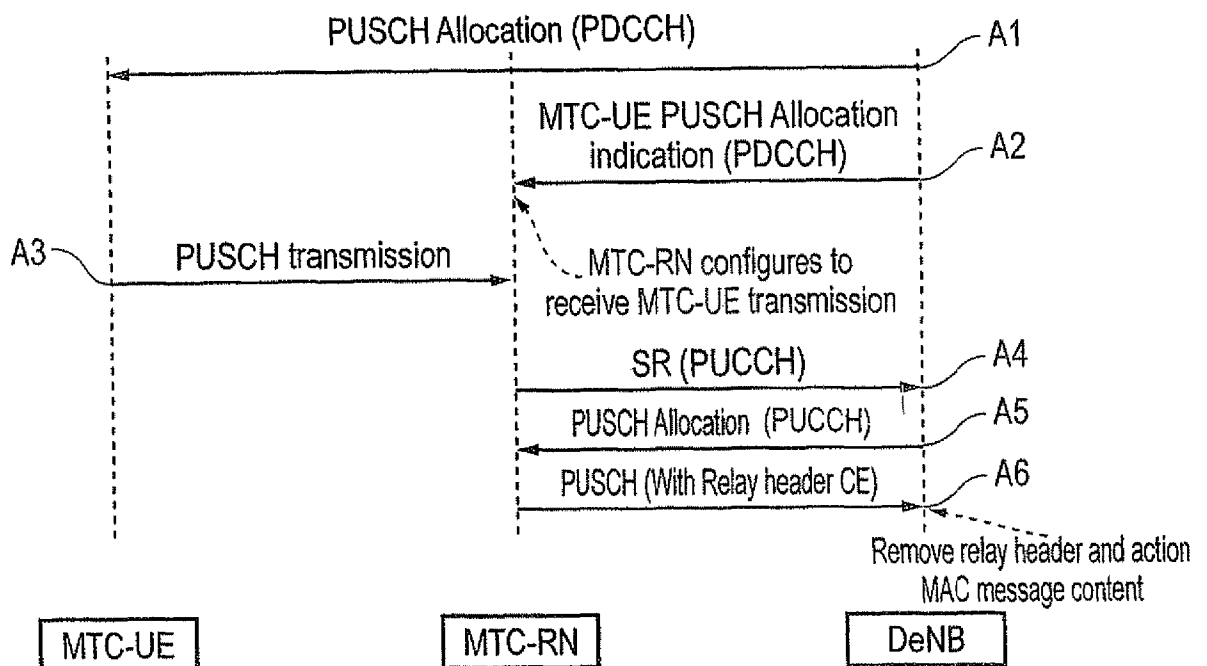


FIG. 20

12/15

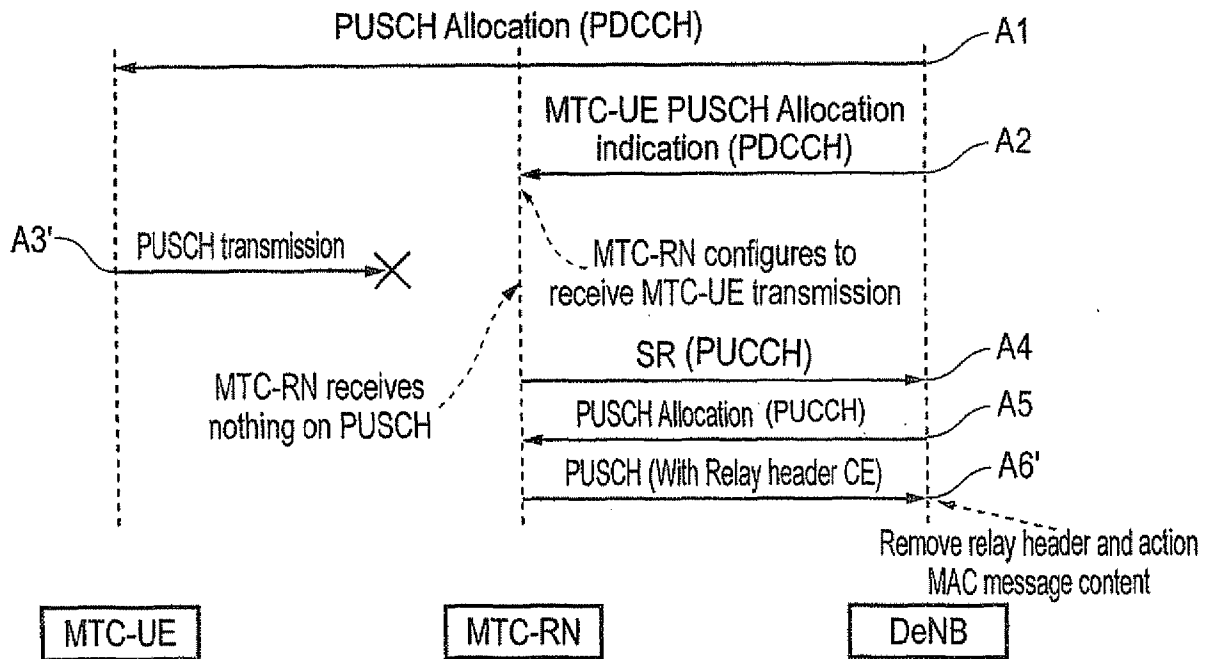


FIG. 21

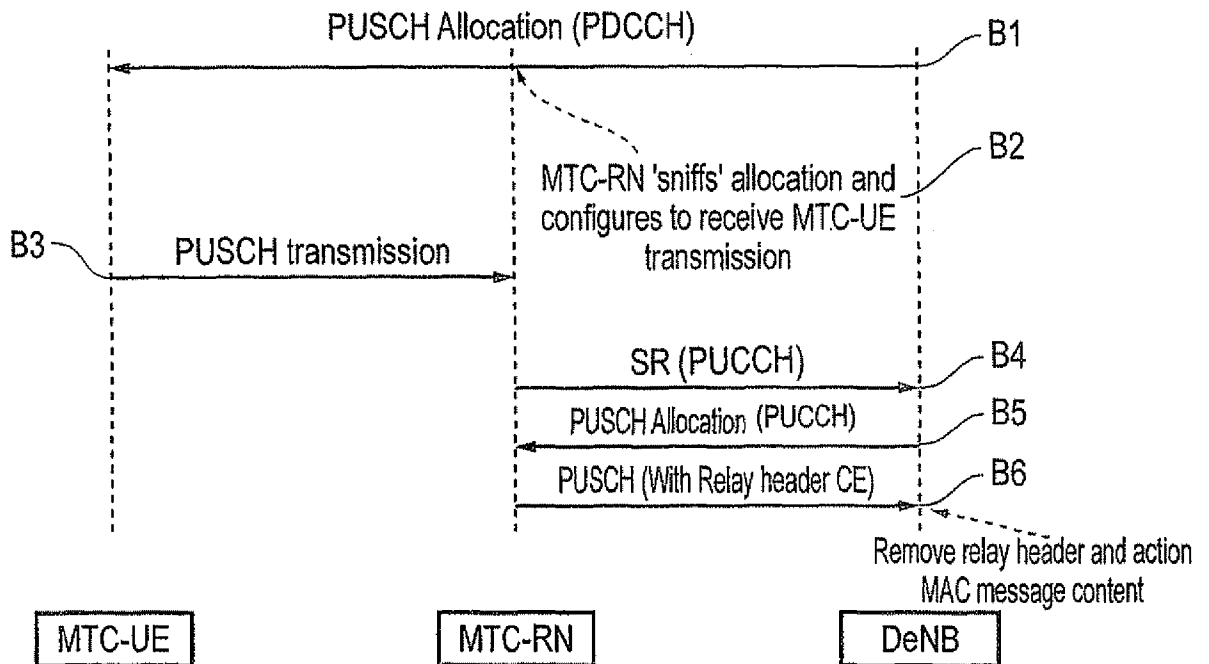


FIG. 22

13/15

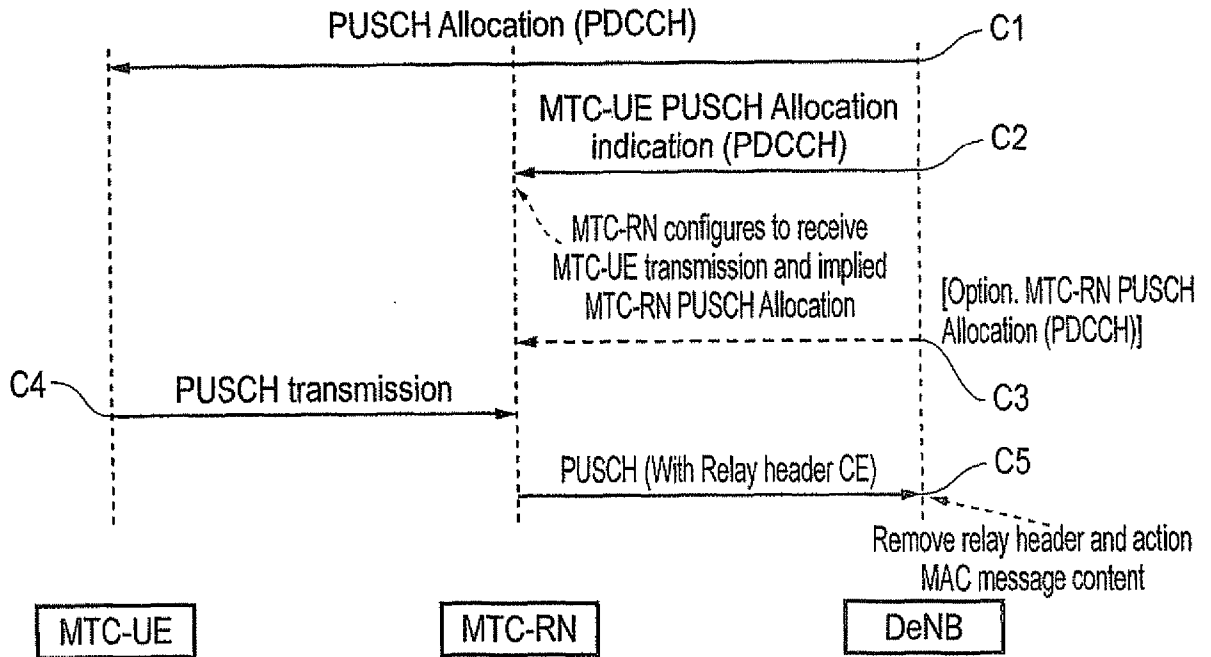


FIG. 23

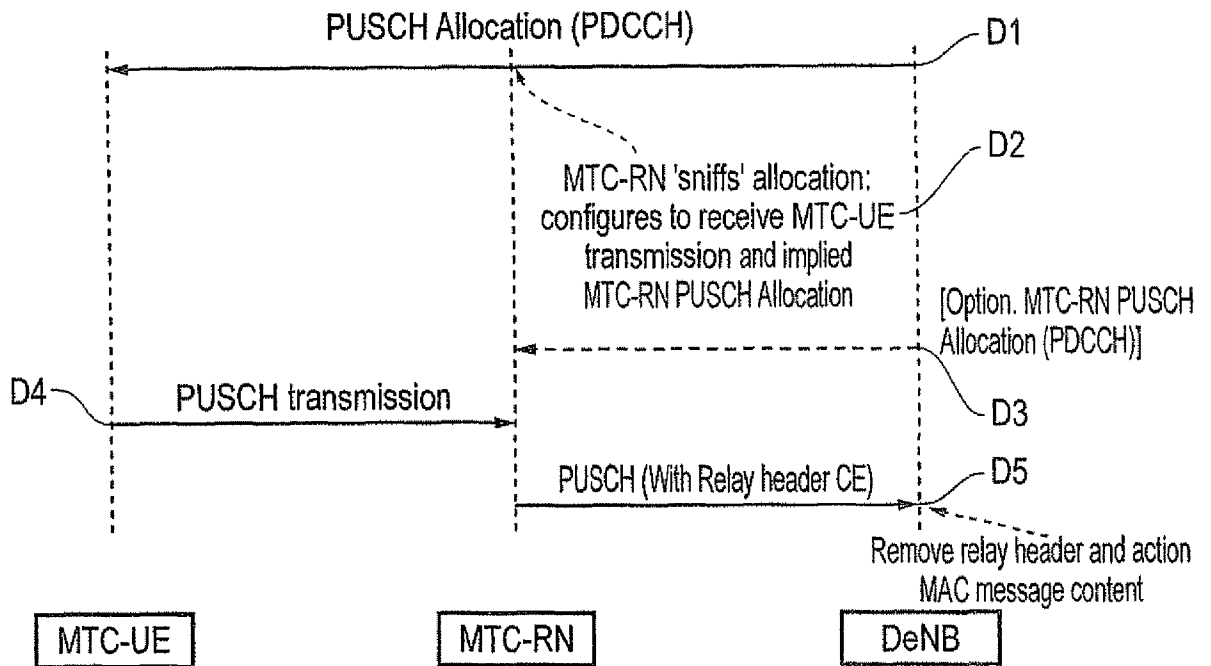


FIG. 24

C-RNTI
C-RNTI

FIG. 25

R	UL grant
UL grant	
UL grant	
C-RNTI	
C-RNTI	

FIG. 26

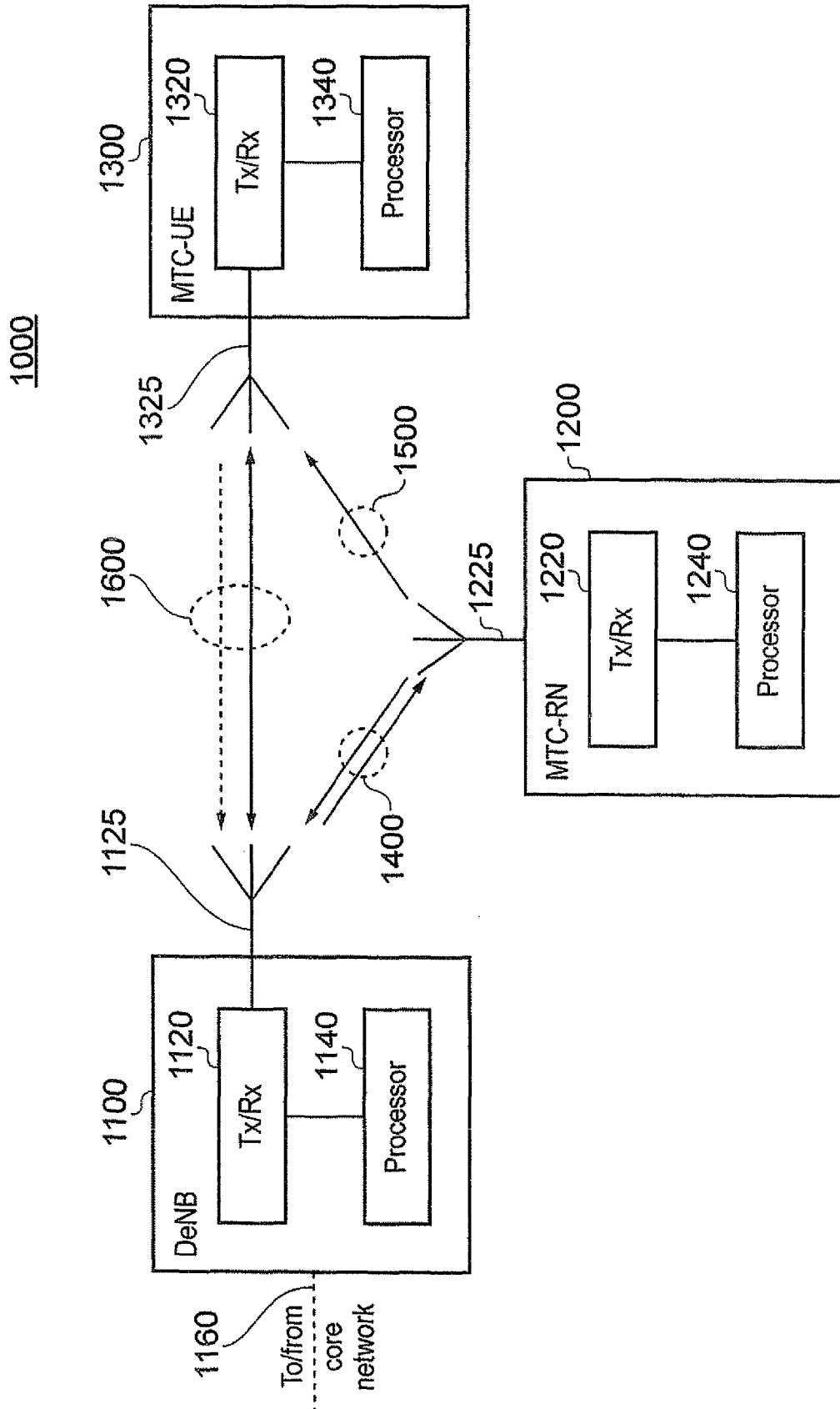


FIG. 27

INTERNATIONAL SEARCH REPORT

International application No
PCT/GB2012/051929

A. CLASSIFICATION OF SUBJECT MATTER
INV. H04W84/04 H04W74/08
ADD.
According to International Patent Classification (IPC) or to both national classification and IPC

B. FIELDS SEARCHED
Minimum documentation searched (classification system followed by classification symbols)
H04W

Documentation searched other than minimum documentation to the extent that such documents are included in the fields searched

Electronic data base consulted during the international search (name of data base and, where practicable, search terms used)
EPO-Internal, WPI Data

C. DOCUMENTS CONSIDERED TO BE RELEVANT

Category*	Citation of document, with indication, where appropriate, of the relevant passages	Relevant to claim No.
A	US 2011/159802 A1 (BINTI HARUM NORHARYATI [JP] ET AL) 30 June 2011 (2011-06-30) paragraph [0139] - paragraph [0179]; figures 4-10	1-34
A	US 2007/076684 A1 (LEE SUNG-JIN [KR] ET AL) 5 April 2007 (2007-04-05) paragraph [0043] - paragraph [0076]; figures 3-14	1-34
A	EP 1 786 144 A2 (ALCATEL LUCENT [FR]) 16 May 2007 (2007-05-16) paragraph [0017] - paragraph [0031]; figures 2,4	1-34
	----- -/--	

Further documents are listed in the continuation of Box C.

See patent family annex.

* Special categories of cited documents :

"A" document defining the general state of the art which is not considered to be of particular relevance

"E" earlier application or patent but published on or after the international filing date

"L" document which may throw doubts on priority claim(s) or which is cited to establish the publication date of another citation or other special reason (as specified)

"O" document referring to an oral disclosure, use, exhibition or other means

"P" document published prior to the international filing date but later than the priority date claimed

"T" later document published after the international filing date or priority date and not in conflict with the application but cited to understand the principle or theory underlying the invention

"X" document of particular relevance; the claimed invention cannot be considered novel or cannot be considered to involve an inventive step when the document is taken alone

"Y" document of particular relevance; the claimed invention cannot be considered to involve an inventive step when the document is combined with one or more other such documents, such combination being obvious to a person skilled in the art

"&" document member of the same patent family

Date of the actual completion of the international search 12 October 2012	Date of mailing of the international search report 22/10/2012
--	--

Name and mailing address of the ISA/ European Patent Office, P.B. 5818 Patentlaan 2 NL - 2280 HV Rijswijk Tel. (+31-70) 340-2040, Fax: (+31-70) 340-3016	Authorized officer Kyritsi, Persefoni
--	--

INTERNATIONAL SEARCH REPORT

International application No
PCT/GB2012/051929

C(Continuation). DOCUMENTS CONSIDERED TO BE RELEVANT		
Category*	Citation of document, with indication, where appropriate, of the relevant passages	Relevant to claim No.
A	<p>"3rd Generation Partnership Project; Technical Specification Group Radio Access Network; Evolved Universal Terrestrial Radio Access (E-UTRA); Medium Access Control (MAC) protocol specification (Release 10)", 3GPP STANDARD; 3GPP TS 36.321, 3RD GENERATION PARTNERSHIP PROJECT (3GPP), MOBILE COMPETENCE CENTRE ; 650, ROUTE DES LUCIOLES ; F-06921 SOPHIA-ANTIPOLIS CEDEX ; FRANCE, vol. RAN WG2, no. V10.2.0, 21 June 2011 (2011-06-21), pages 1-54, XP050553468, [retrieved on 2011-06-21] paragraph [6.1.2] page 12, paragraph 5.1 - page 17 -----</p>	1-34

INTERNATIONAL SEARCH REPORT

Information on patent family members

International application No PCT/GB2012/051929

Patent document cited in search report	Publication date	Patent family member(s)	Publication date
US 2011159802	A1	30-06-2011	JP 2009213057 A
			US 2011159802 A1
			WO 2009110176 A1

US 2007076684	A1	05-04-2007	KR 20070037856 A
			US 2007076684 A1

EP 1786144	A2	16-05-2007	AT 438273 T
			CN 1964225 A
			EP 1786144 A2
			EP 2071887 A1
			JP 2007143138 A
			KR 20070050839 A
			US 2007110016 A1
