



US00D375673S

United States Patent [19]
Schowalter

[11] **Patent Number: Des. 375,673**

[45] **Date of Patent: **Nov. 19, 1996**

[54] **COMBINED CHAIR HOOK AND HANGER**

[76] **Inventor: David Schowalter, 129 Houston St., Savannah, Ga. 31401**

[**] **Term: 14 Years**

[21] **Appl. No.: 47,585**

[22] **Filed: Dec. 7, 1995**

[52] **U.S. Cl. D8/367; D6/315; D6/513; D8/373**

[58] **Field of Search D8/373, 367; D6/315, D6/513, 328, 326; 248/301, 304, 215, 339; 211/113**

[56] **References Cited**

U.S. PATENT DOCUMENTS

D. 206,785	1/1967	McCormick	D8/395
D. 317,115	5/1991	Garry	D8/367 X
D. 318,378	7/1991	Baekgaard, Sr.	D6/315
915,494	3/1909	Smith	.	
1,653,769	12/1927	Johnson	248/317 X
3,435,955	4/1969	Brunette	211/24
3,568,852	3/1971	Howard	211/113

4,094,488	6/1978	Bryant	248/359
4,121,800	10/1978	McClellan	248/207
4,676,465	6/1987	Myotte	248/126
5,094,414	3/1992	Eddy, Jr.	248/95
5,224,607	7/1993	Koresko	211/34

Primary Examiner—Holly H. Baynham
Attorney, Agent, or Firm—Bernstein & Associates

[57] **CLAIM**

The ornamental design for a combined chair hook and hanger, as shown and described.

DESCRIPTION

FIG. 1 is a rear perspective view of a combined chair hook and hanger;

FIG. 2 is a front view thereof;

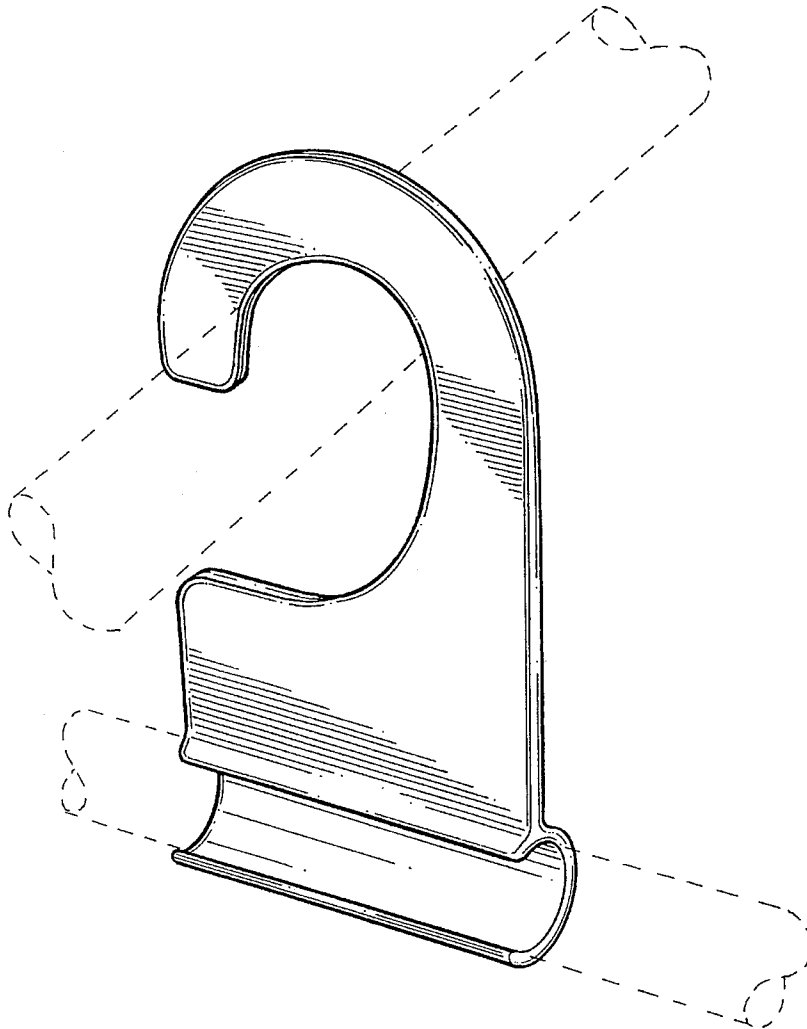
FIG. 3 is a right view thereof with the opposite side being a mirror image;

FIG. 4 is a top plan view thereof; and,

FIG. 5 is a bottom view thereof.

The broken line showing of fragmented structure is for illustrative purposes only and forms no part of the claimed design.

1 Claim, 3 Drawing Sheets



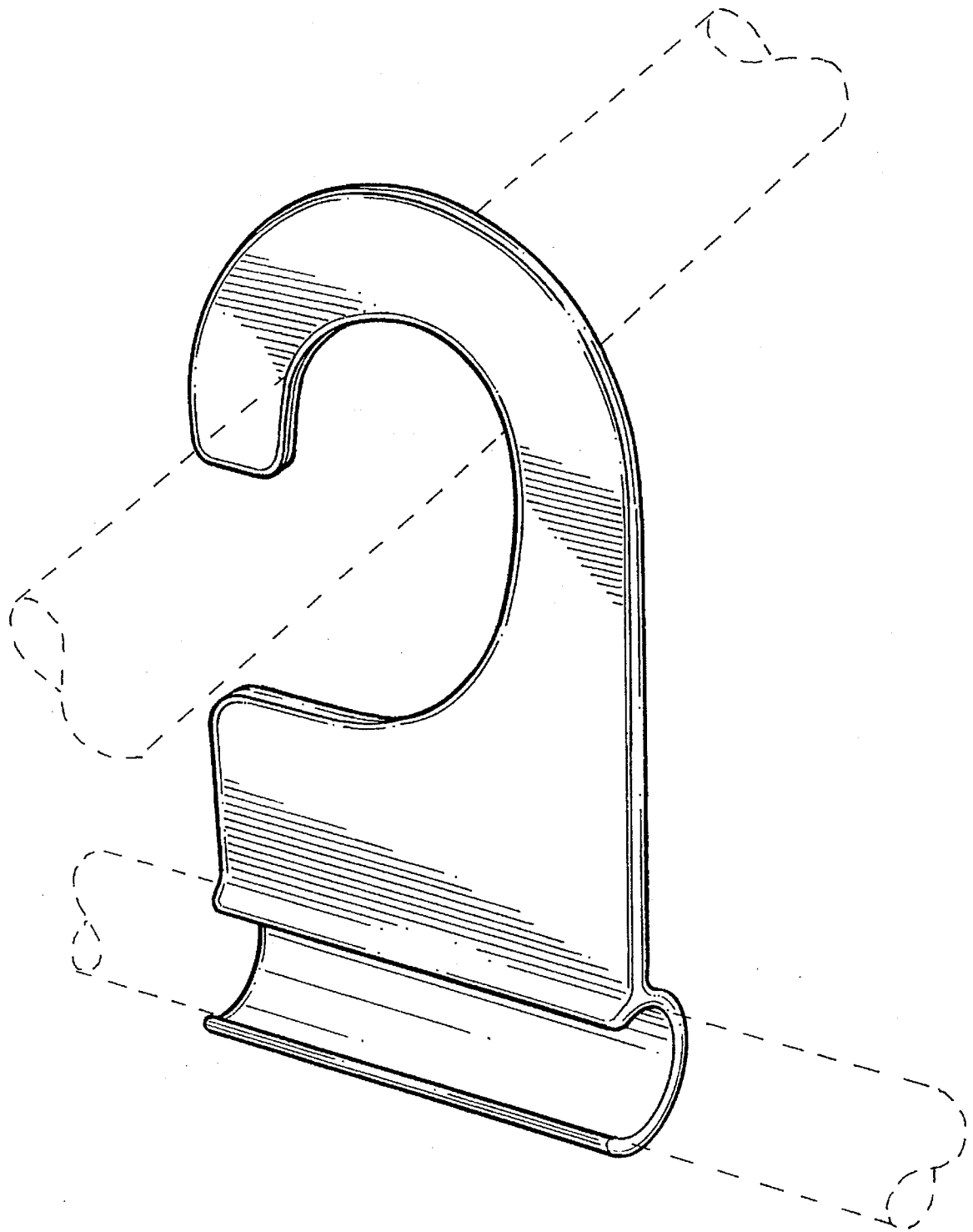


FIG. 1

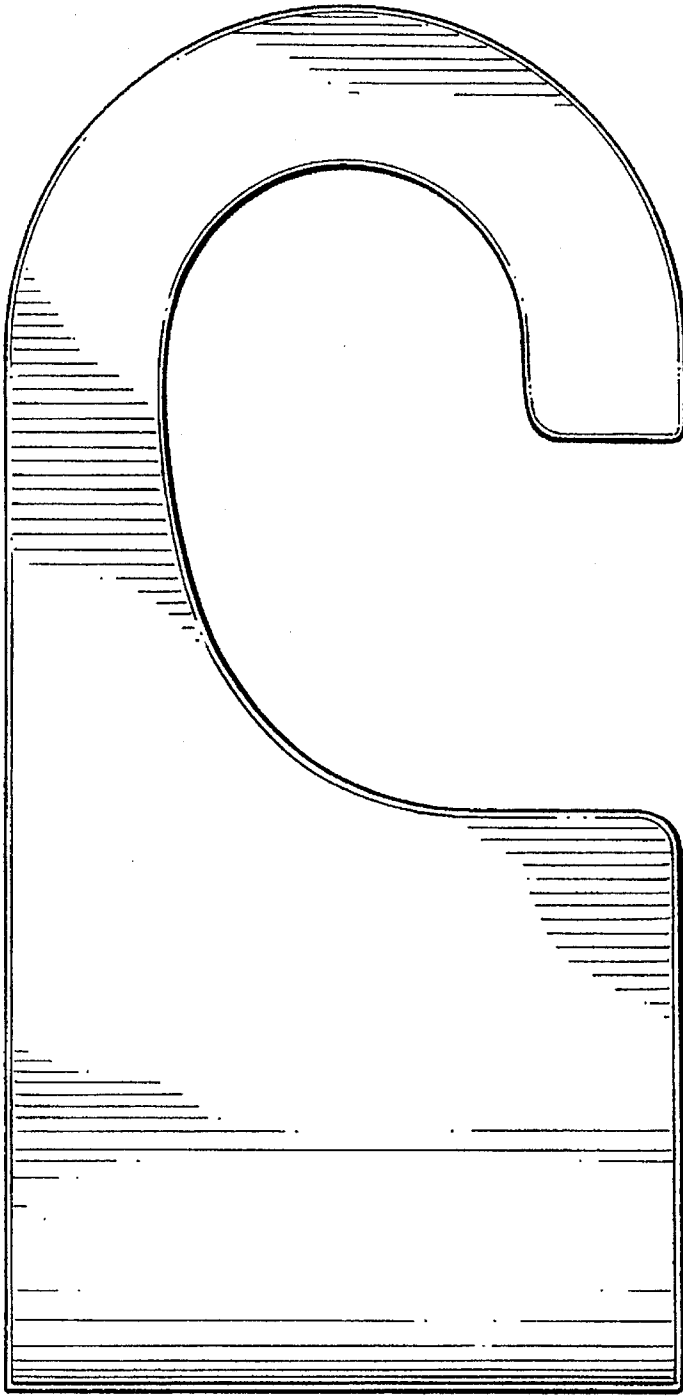


FIG. 2

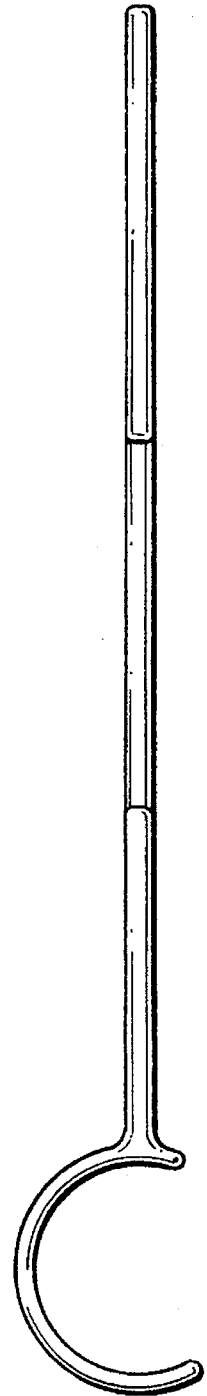


FIG. 3

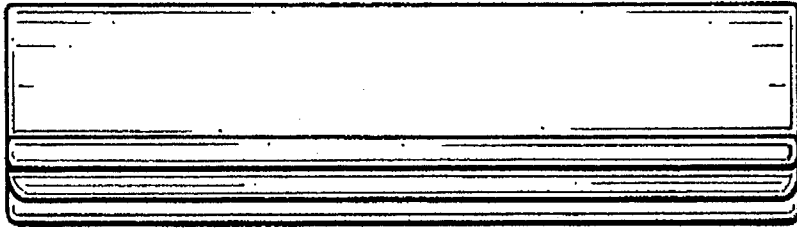


FIG. 4

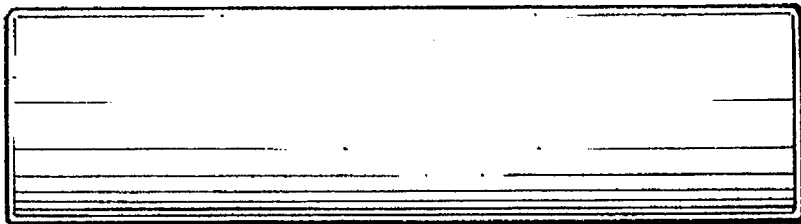


FIG. 5