

(19) World Intellectual Property Organization
International Bureau



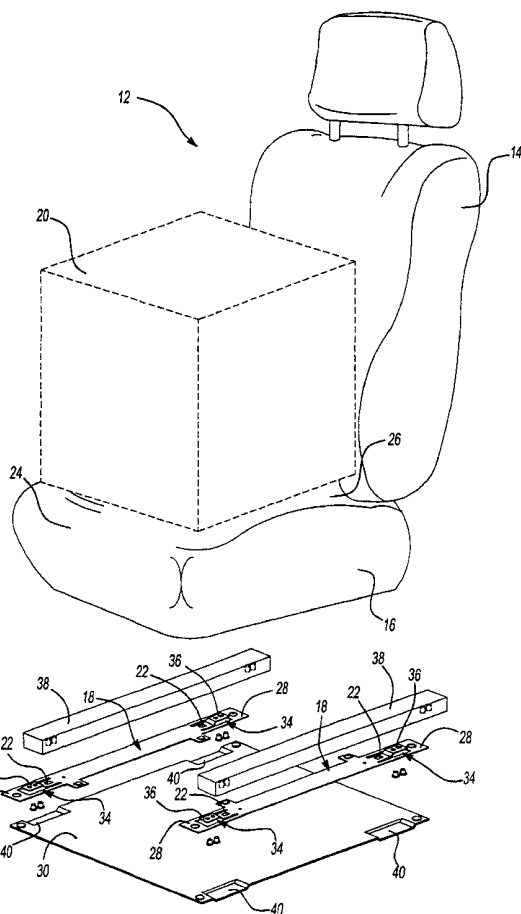
(43) International Publication Date
11 April 2002 (11.04.2002)

(10) International Publication Number
PCT
WO 02/28687 A3

- (51) International Patent Classification⁷: **B60N 2/00** (74) Agents: SLENZAK, Laura et al.; c/o Keller, Elsa, Siemens Corporation, 186 Wood Avenue South, Iselin, NJ 08830 (US).
- (21) International Application Number: PCT/US01/30127
- (22) International Filing Date: 26 September 2001 (26.09.2001) (81) Designated States (national): JP, KR.
- (25) Filing Language: English (84) Designated States (regional): European patent (AT, BE, CH, CY, DE, DK, ES, FI, FR, GB, GR, IE, IT, LU, MC, NL, PT, SE, TR).
- (26) Publication Language: English
- (30) Priority Data: 60/237,256 2 October 2000 (02.10.2000) US Published:
— with international search report
— before the expiration of the time limit for amending the claims and to be republished in the event of receipt of amendments
- (71) Applicant: SIEMENS AUTOMOTIVE CORPORATION [US/US]; 2400 Executive Hills Drive, Auburn Hills, MI 48326-2980 (US).
- (72) Inventor: CURTIS, Brian, M.; 3285 Regency Drive, Lake Orion, MI 48359 (US). (88) Date of publication of the international search report: 13 June 2002

[Continued on next page]

(54) Title: SENSOR INTEGRATED BRACKET FOR WEIGHT CLASSIFICATION



(57) Abstract: A sensor assembly is used to measure the weight of an occupant (20) seated on a vehicle seat (12). The sensor assembly is integrated into a bracket (18) that is mounted between a seat structure such as a track assembly (38) and a vehicle structure such as floor (30) or riser. One bracket is mounted on an inboard side of the seat and a second bracket is mounted on an outboard side of the seat. Each bracket (18) includes opposing end mounts that are mounted to the vehicle structure. Between the opposing ends, each bracket includes a pair of deflectable portions (34) that define a mount interface for attachment to the seat structure. A central body (42) extends between the deflectable portions (34) to form unitary bracket member that includes the end mounts, the deflectable portions (34) and the central body (42). A strain gage is mounted on each deflectable portion to measure the weight of the seat occupant.



WO 02/28687 A3



For two-letter codes and other abbreviations, refer to the "Guidance Notes on Codes and Abbreviations" appearing at the beginning of each regular issue of the PCT Gazette.

INTERNATIONAL SEARCH REPORT

International Application No

PCT/US 01/30127

A. CLASSIFICATION OF SUBJECT MATTER
IPC 7 B60N2/00

According to International Patent Classification (IPC) or to both national classification and IPC

B. FIELDS SEARCHED

Minimum documentation searched (classification system followed by classification symbols)
IPC 7 B60N

Documentation searched other than minimum documentation to the extent that such documents are included in the fields searched

Electronic data base consulted during the international search (name of data base and, where practical, search terms used)

EPO-Internal, WPI Data

C. DOCUMENTS CONSIDERED TO BE RELEVANT

| Category ° | Citation of document, with indication, where appropriate, of the relevant passages | Relevant to claim No. |
|------------|--|-----------------------|
| X A | US 5 942 695 A (TIEMAN CRAIG ET AL) 24 August 1999 (1999-08-24) column 1, line 38 - line 49 column 2, line 12 - line 23 column 2, line 36 - line 41 column 2, line 54 - line 60; figures 1-4,6-8 abstract | 1-5,7-20 6 |
| A | --- US 6 039 344 A (FULLERTON MICHAEL G ET AL) 21 March 2000 (2000-03-21) column 2, line 22 - line 29 column 2, line 63 -column 3, line 25; figures 1-5 abstract --- -/-- | 1-20 |

Further documents are listed in the continuation of box C.

Patent family members are listed in annex.

° Special categories of cited documents :

- *A* document defining the general state of the art which is not considered to be of particular relevance
- *E* earlier document but published on or after the international filing date
- *L* document which may throw doubts on priority claim(s) or which is cited to establish the publication date of another citation or other special reason (as specified)
- *O* document referring to an oral disclosure, use, exhibition or other means
- *P* document published prior to the international filing date but later than the priority date claimed

- *T* later document published after the international filing date or priority date and not in conflict with the application but cited to understand the principle or theory underlying the invention
- *X* document of particular relevance; the claimed invention cannot be considered novel or cannot be considered to involve an inventive step when the document is taken alone
- *Y* document of particular relevance; the claimed invention cannot be considered to involve an inventive step when the document is combined with one or more other such documents, such combination being obvious to a person skilled in the art.
- * & * document member of the same patent family

Date of the actual completion of the international search

4 April 2002

Date of mailing of the international search report

11/04/2002

Name and mailing address of the ISA

European Patent Office, P.B. 5818 Patentlaan 2
NL - 2280 HV Rijswijk
Tel. (+31-70) 340-2040, Tx. 31 651 epo nl,
Fax: (+31-70) 340-3016

Authorized officer

Wauters, J

INTERNATIONAL SEARCH REPORT

International Application No

PCT/US 01/30127

C.(Continuation) DOCUMENTS CONSIDERED TO BE RELEVANT

| Category * | Citation of document, with indication, where appropriate, of the relevant passages | Relevant to claim No. |
|------------|---|-----------------------|
| P, A | US 6 161 891 A (BLAKESLEY PATRICK B) 19 December 2000 (2000-12-19) abstract; figures 1-5 ----- | 1-20 |

INTERNATIONAL SEARCH REPORT

Information on patent family members

International Application No

PCT/US 01/30127

| Patent document cited in search report | Publication date | Patent family member(s) | Publication date |
|--|------------------|-------------------------|------------------|
| US 5942695 | A | 24-08-1999 | NONE |
| US 6039344 | A | 21-03-2000 | NONE |
| US 6161891 | A | 19-12-2000 | NONE |