



US00D775136S

(12) **United States Design Patent**
Min

(10) **Patent No.:** **US D775,136 S**

(45) **Date of Patent:** **** Dec. 27, 2016**

(54) **COMPUTER KEYBOARD BODY**

D680,544 S * 4/2013 Akana D14/391
D740,831 S * 10/2015 Colby D14/455
D752,592 S * 3/2016 Ozolins D14/434

(71) Applicant: **Brian Min**, Walnut Creek, CA (US)

* cited by examiner

(72) Inventor: **Brian Min**, Walnut Creek, CA (US)

Primary Examiner — George D Kirschbaum

(**) Term: **15 Years**

Assistant Examiner — Joseph Kukella

(21) Appl. No.: **29/538,580**

(22) Filed: **Sep. 4, 2015**

(57) **CLAIM**

(51) **LOC (10) Cl.** **14-02**

The ornamental design for a computer keyboard body, as shown and described.

(52) **U.S. Cl.**

USPC **D14/455**

(58) **Field of Classification Search**

USPC D14/240, 315, 391–399, 433, 443, 447,
D14/455, 456; D18/1, 2, 7, 11; 345/168;
178/17 A, 17 C; 361/679.01, 679.08,
361/679.09, 679.11, 679.12, 679.17,
361/679.26, 679.41, 679.44; 400/484–489,
400/492, 472

CPC G06F 3/0205

See application file for complete search history.

DESCRIPTION

FIG. 1 is a top perspective view of my design for a computer keyboard body;
FIG. 2 is second top perspective view thereof;
FIG. 3 is a third top perspective view thereof;
FIG. 4 is a bottom perspective view thereof;
FIG. 5 is a top plan view thereof;
FIG. 6 is a bottom plan view thereof;
FIG. 7 is a front elevational view thereof;
FIG. 8 is a rear elevational view thereof;
FIG. 9 is a left side elevational view thereof;
FIG. 10 is a right side elevational view thereof;
FIG. 11 is a second left side elevational view thereof; and,
FIG. 12 is a fourth top perspective view thereof.
In the drawings, the broken lines depict environmental subject matter only and form no part of the claimed design.

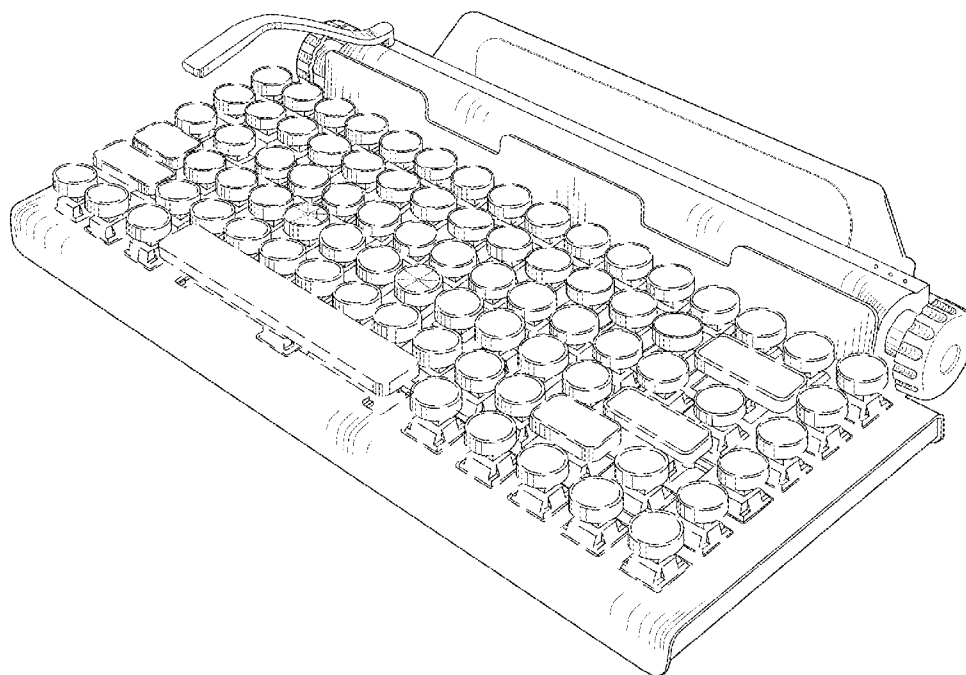
(56)

References Cited

U.S. PATENT DOCUMENTS

1,328,818 A * 1/1920 Butler B41J 5/10
400/472
2,080,457 A * 5/1937 Bower B41J 5/10
400/486
2,665,336 A * 1/1954 Saykay H04L 17/04
178/17 C
D680,538 S * 4/2013 Xiao D14/392

1 Claim, 12 Drawing Sheets



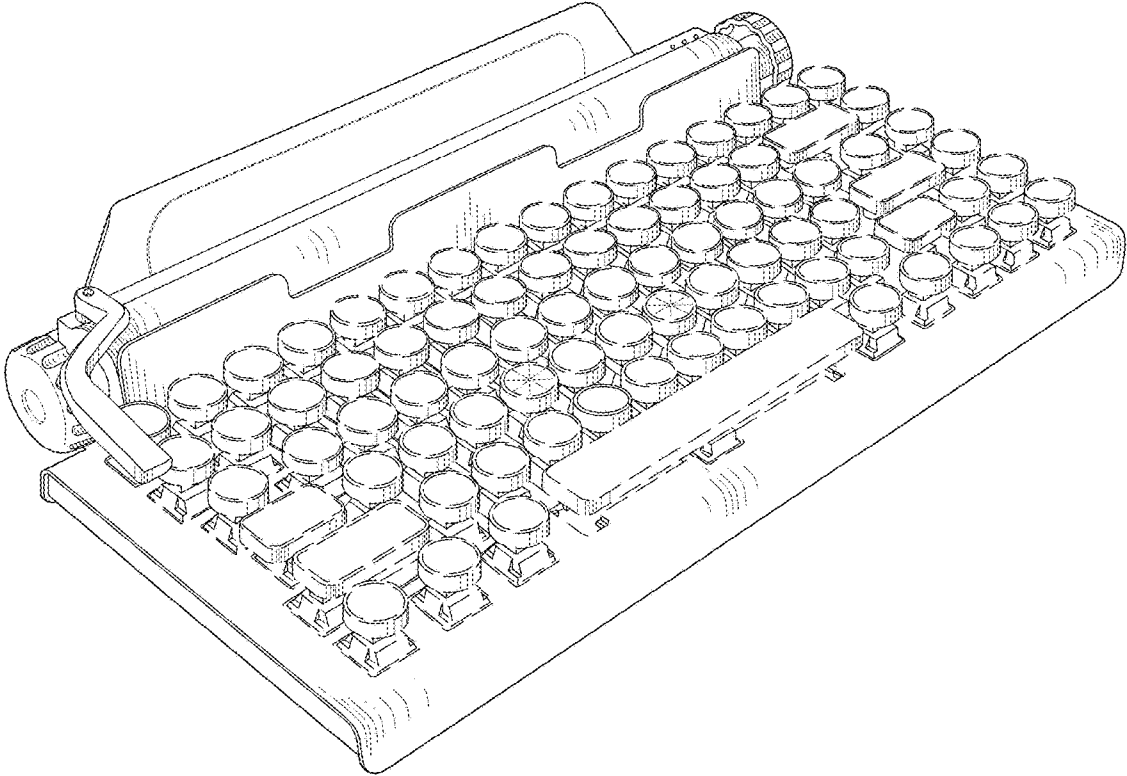


FIG. 1

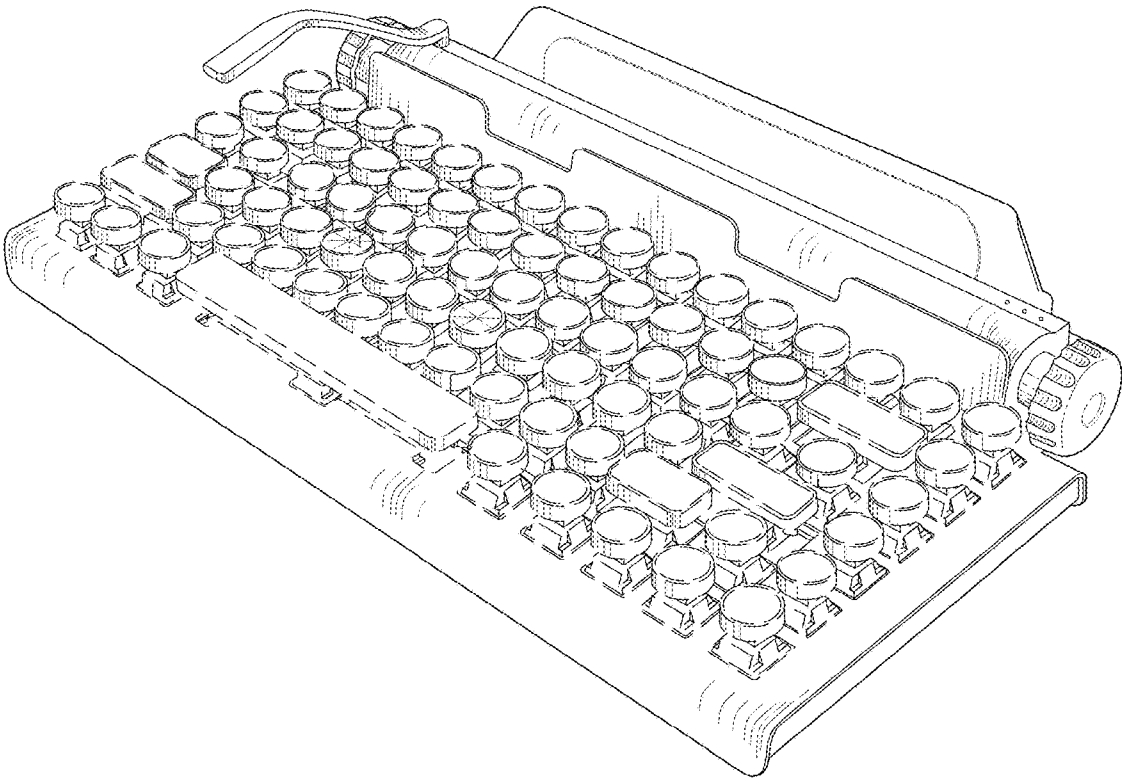


FIG. 2

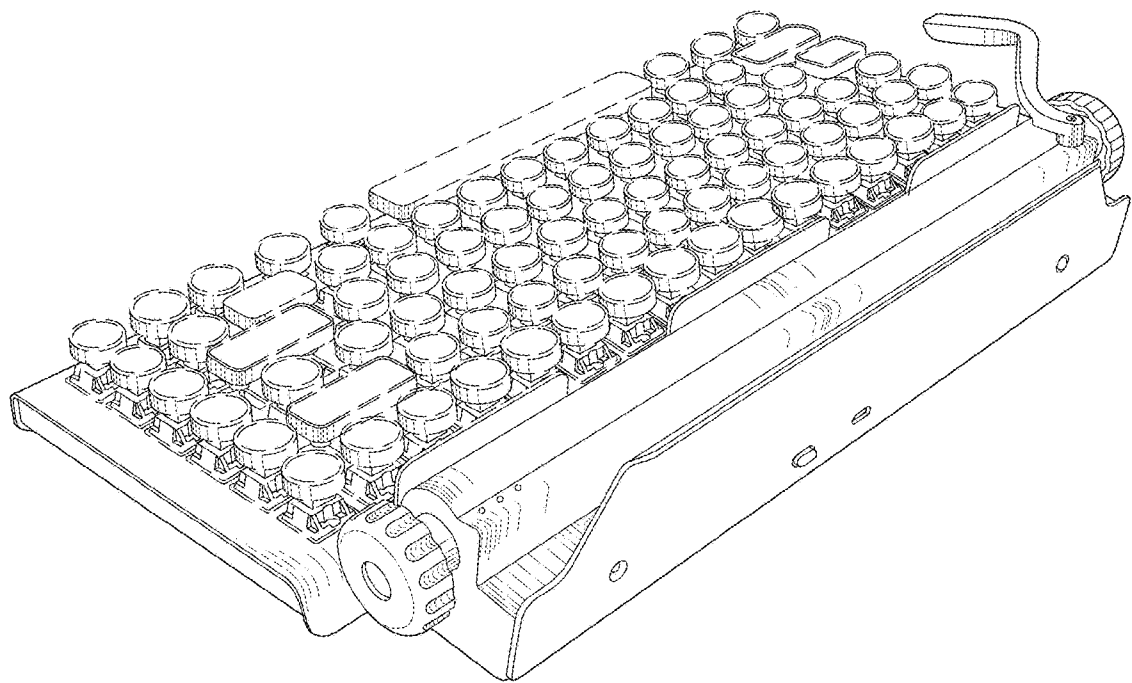


FIG. 3

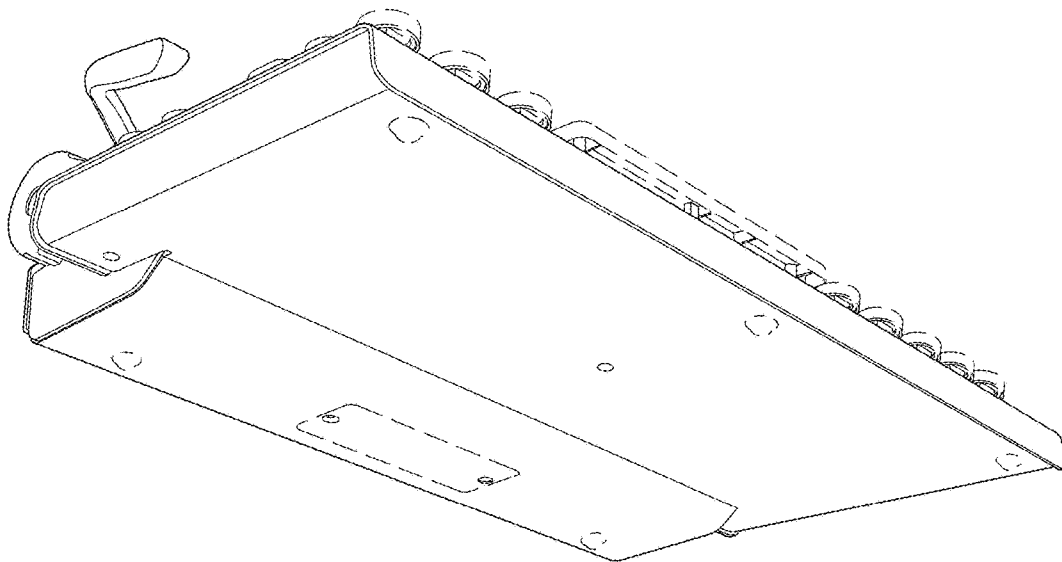


FIG. 4

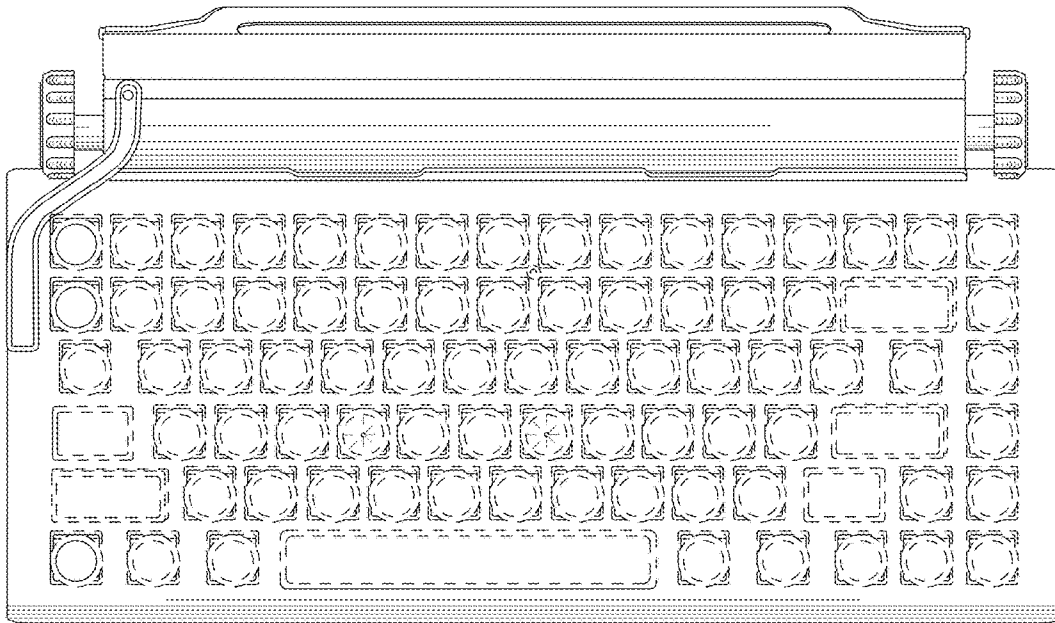


FIG. 5

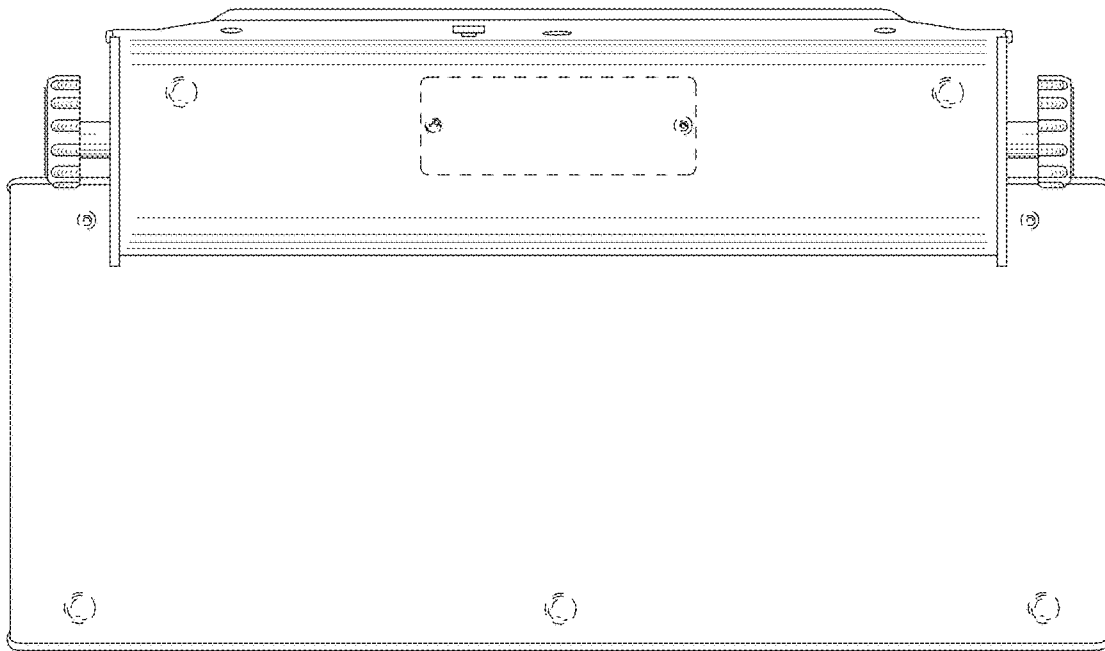


FIG. 6

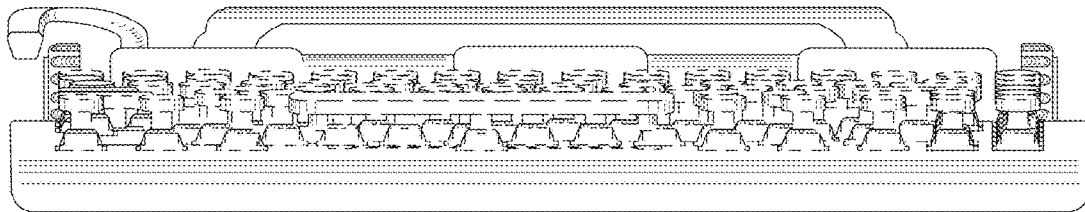


FIG. 7

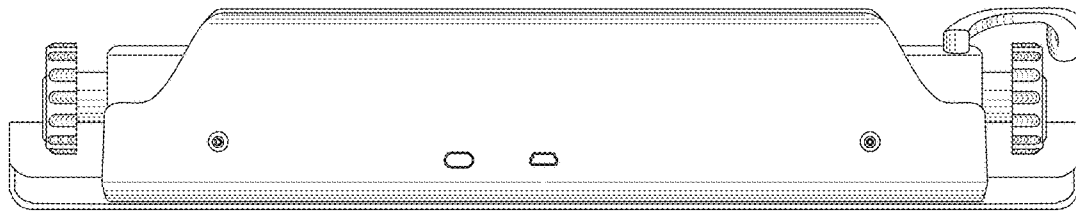


FIG. 8

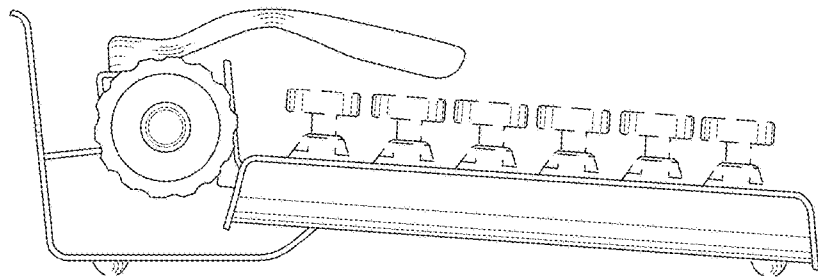


FIG. 9

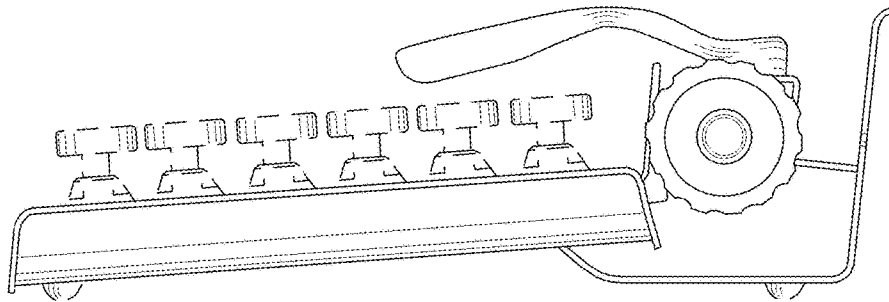


FIG. 10

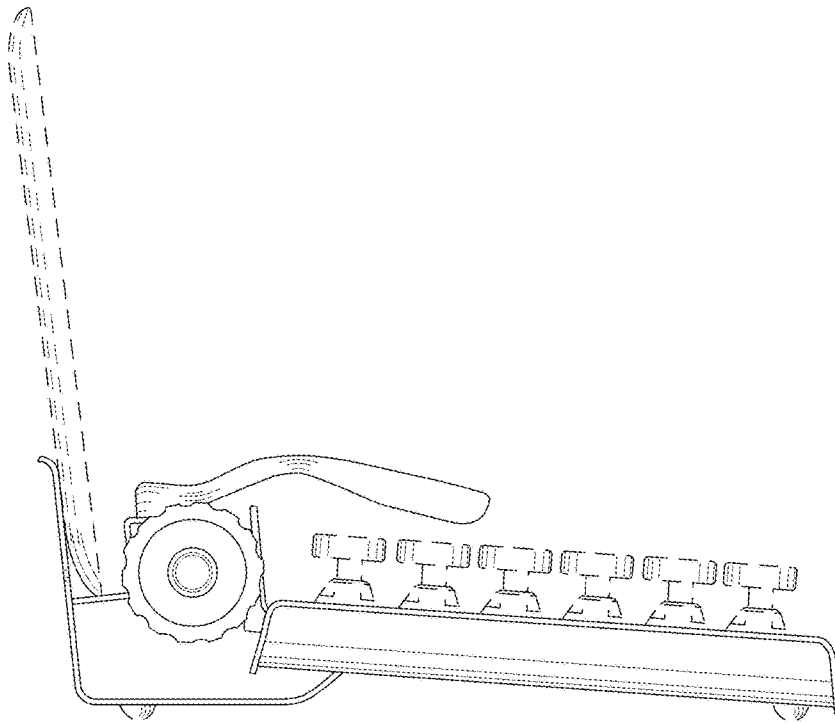


FIG. 11

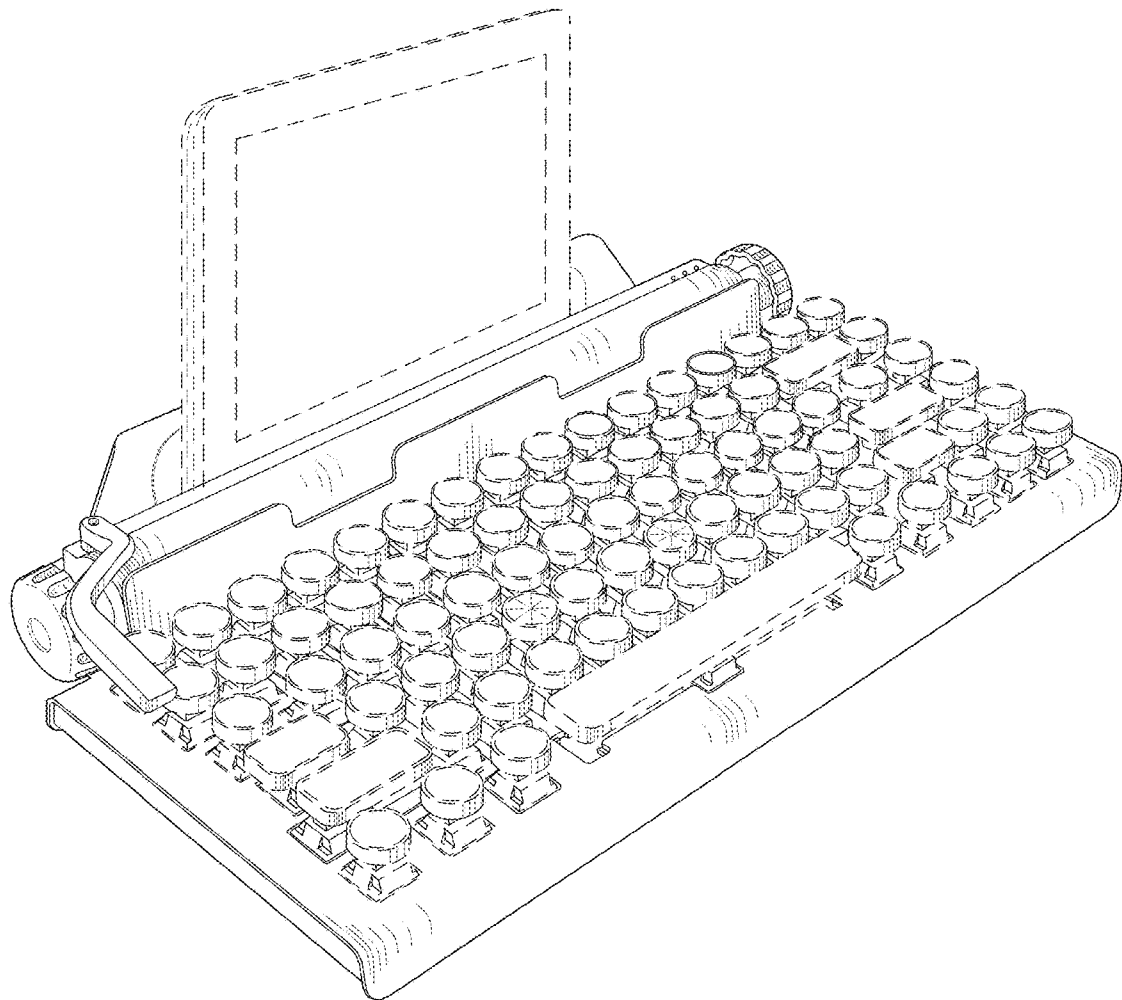


FIG. 12