



- (51) International Patent Classification:
A61N 1/375 (2006.01)
- (21) International Application Number:
PCT/US2013/025762
- (22) International Filing Date:
12 February 2013 (12.02.2013)
- (25) Filing Language: English
- (26) Publication Language: English
- (30) Priority Data:
61/598,961 15 February 2012 (15.02.2012) US
61/682,466 13 August 2012 (13.08.2012) US
- (71) Applicant: **CARDIAC PACEMAKERS, INC.** [US/US];
4100 Hamline Avenue North, St. Paul, Minnesota 55112-5798 (US).
- (72) Inventors: **STEVENSON, Mark**; 1671 Village Trl E, Unit 4, Maplewood, Minnesota 55109 (US). **DASTUR, Meherdi, S.**; 357 West Wheelock Pkwy, Saint Paul, Minnesota 55117 (US). **BLILIE, James**; 5997 Turtle Lake Road, Shoreview, Minnesota 55126 (US). **SHERWOOD, Gregory, J.**; 18 Wildflower Place, North Oaks, Minnesota 55127 (US). **BARRY, Patrick, J.**; 2782 Hilltop Court, North St. Paul, Minnesota 55109 (US). **BOETTIGER, Derek, John**; 2139 Scenic Place, St. Paul, Minnesota 55119 (US).
- (74) Agents: **ARORA, Suneel** et al.; Schwegman, Lundberg & Woessner, P.A., P.O. Box 2938, Minneapolis, Minnesota 55402 (US).

(81) Designated States (unless otherwise indicated, for every kind of national protection available): AE, AG, AL, AM, AO, AT, AU, AZ, BA, BB, BG, BH, BN, BR, BW, BY, BZ, CA, CH, CL, CN, CO, CR, CU, CZ, DE, DK, DM, DO, DZ, EC, EE, EG, ES, FI, GB, GD, GE, GH, GM, GT, HN, HR, HU, ID, IL, IN, IS, JP, KE, KG, KM, KN, KP, KR, KZ, LA, LC, LK, LR, LS, LT, LU, LY, MA, MD, ME, MG, MK, MN, MW, MX, MY, MZ, NA, NG, NI, NO, NZ, OM, PA, PE, PG, PH, PL, PT, QA, RO, RS, RU, RW, SC, SD, SE, SG, SK, SL, SM, ST, SV, SY, TH, TJ, TM, TN, TR, TT, TZ, UA, UG, US, UZ, VC, VN, ZA, ZM, ZW.

(84) Designated States (unless otherwise indicated, for every kind of regional protection available): ARIPO (BW, GH, GM, KE, LR, LS, MW, MZ, NA, RW, SD, SL, SZ, TZ, UG, ZM, ZW), Eurasian (AM, AZ, BY, KG, KZ, RU, TJ, TM), European (AL, AT, BE, BG, CH, CY, CZ, DE, DK, EE, ES, FI, FR, GB, GR, HR, HU, IE, IS, IT, LT, LU, LV, MC, MK, MT, NL, NO, PL, PT, RO, RS, SE, SI, SK, SM, TR), OAPI (BF, BJ, CF, CG, CI, CM, GA, GN, GQ, GW, ML, MR, NE, SN, TD, TG).

Published:

- with international search report (Art. 21(3))
- before the expiration of the time limit for amending the claims and to be republished in the event of receipt of amendments (Rule 48.2(h))

(88) Date of publication of the international search report:
31 October 2013

(54) Title: FERRULE FOR IMPLANTABLE MEDICAL DEVICE

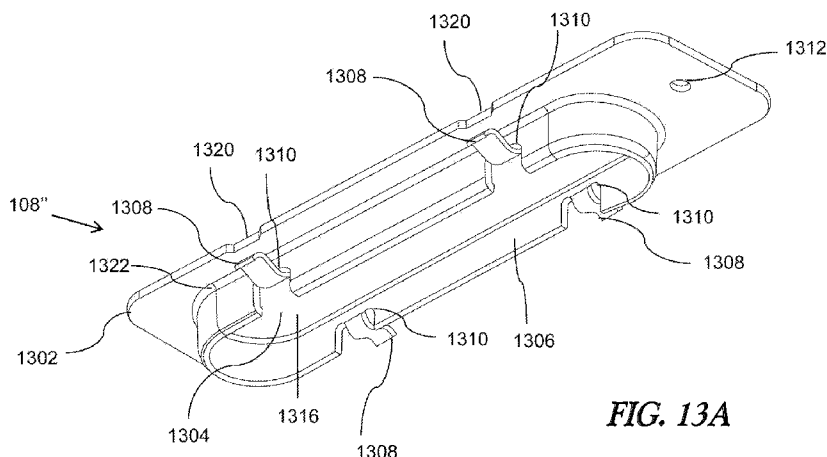


FIG. 13A

(57) Abstract: A ferrule for an implantable medical device (IMD) can employ stamped metal portion including an electrically-conductive ferrule portion. The stamped ferrule portion can be affixed to a wall of a housing of the IMD. The resulting ferrule can provide cost savings or higher production throughput over a ferrule employing machined ferrule portion.

WO 2013/122947 A3

INTERNATIONAL SEARCH REPORT

International application No
PCT/US2013/025762

A. CLASSIFICATION OF SUBJECT MATTER
INV. A61N1/375
ADD.
According to International Patent Classification (IPC) or to both national classification and IPC

B. FIELDS SEARCHED
Minimum documentation searched (classification system followed by classification symbols)
A61N

Documentation searched other than minimum documentation to the extent that such documents are included in the fields searched

Electronic data base consulted during the international search (name of data base and, where practicable, search terms used)
EPO-Internal, WPI Data

C. DOCUMENTS CONSIDERED TO BE RELEVANT

Category*	Citation of document, with indication, where appropriate, of the relevant passages	Relevant to claim No.
X	US 2012/006576 A1 (BARRY PATRICK J [US] ET AL) 12 January 2012 (2012-01-12) abstract paragraphs [0015], [0039], [0041], [0042]; figures 2,3,6-8	1-55
A	US 2007/239223 A1 (ENGMARK DAVID B [US] ET AL) 11 October 2007 (2007-10-11) figures 1-10	1-55
A	WO 2009/045772 A1 (MEDTRONIC INC [US]; KAST JOHN E [US]; PETERS CHARLES E [US]; BAADE MIC) 9 April 2009 (2009-04-09) page 3 - page 16	1-55

Further documents are listed in the continuation of Box C.

See patent family annex.

* Special categories of cited documents :

- "A" document defining the general state of the art which is not considered to be of particular relevance
- "E" earlier application or patent but published on or after the international filing date
- "L" document which may throw doubts on priority claim(s) or which is cited to establish the publication date of another citation or other special reason (as specified)
- "O" document referring to an oral disclosure, use, exhibition or other means
- "P" document published prior to the international filing date but later than the priority date claimed

- "T" later document published after the international filing date or priority date and not in conflict with the application but cited to understand the principle or theory underlying the invention
- "X" document of particular relevance; the claimed invention cannot be considered novel or cannot be considered to involve an inventive step when the document is taken alone
- "Y" document of particular relevance; the claimed invention cannot be considered to involve an inventive step when the document is combined with one or more other such documents, such combination being obvious to a person skilled in the art
- "&" document member of the same patent family

Date of the actual completion of the international search 13 August 2013	Date of mailing of the international search report 21/08/2013
---	--

Name and mailing address of the ISA/ European Patent Office, P.B. 5818 Patentlaan 2 NL - 2280 HV Rijswijk Tel. (+31-70) 340-2040, Fax: (+31-70) 340-3016	Authorized officer Sopelana Martínez, J
--	--

INTERNATIONAL SEARCH REPORT

Information on patent family members

International application No

PCT/US2013/025762

Patent document cited in search report	Publication date	Patent family member(s)	Publication date
US 2012006576	A1	12-01-2012	NONE

US 2007239223	A1	11-10-2007	NONE

WO 2009045772	A1	09-04-2009	EP 2217325 A1 18-08-2010
		US 2010240253 A1	23-09-2010
		WO 2009045772 A1	09-04-2009
