



US00D756228S

(12) **United States Design Patent**  
**Premkumar**

(10) **Patent No.:** **US D756,228 S**

(45) **Date of Patent:** **\*\* May 17, 2016**

(54) **BOTTLE**

FOREIGN PATENT DOCUMENTS

(71) Applicant: **Neel Premkumar**, West New York, NJ  
(US)

CN 3332445 \* 10/2003  
KR 300570162.0000 \* 8/2010

(Continued)

(72) Inventor: **Neel Premkumar**, West New York, NJ  
(US)

OTHER PUBLICATIONS

(\*\*) Term: **14 Years**

Unisex Crystal Experiment, upload 2015, online, site visited Sep. 3, 2015, [https://wanelo.com/p/19693818/10-sale-unisex-crystal-experiment-modern-mercury-science-beakers-geeky-gifts-mad-scientist-collection-sold-seperately-round-or-pyramid.\\*](https://wanelo.com/p/19693818/10-sale-unisex-crystal-experiment-modern-mercury-science-beakers-geeky-gifts-mad-scientist-collection-sold-seperately-round-or-pyramid.*)

(Continued)

(21) Appl. No.: **29/465,459**

(22) Filed: **Aug. 28, 2013**

(51) **LOC (10) Cl.** ..... **09-01**

(52) **U.S. Cl.**

USPC ..... **D9/523**; D9/551; D9/563

(58) **Field of Classification Search**

USPC ..... D9/431, 435, 439-440, 444-447,  
D9/449-450, 454, 522, 524, 526, 561,  
D9/572-573, 575, 682, 685, 693,  
D9/723-724; D3/202; D7/510, 511  
CPC .... A47J 41/02; A47J 41/0077; B65D 1/0215;  
B65D 1/0223; B65D 23/102; B65D 23/106;  
B29L 2031/463

See application file for complete search history.

*Primary Examiner* — John Windmuller

*Assistant Examiner* — John R Yeh

(74) *Attorney, Agent, or Firm* — Scully, Scott, Murphy & Presser, P.C.

(57) **CLAIM**

The ornamental design for a bottle, as shown and described.

**DESCRIPTION**

FIG. 1 is a perspective view of the bottle showing our new and ornamental design;  
FIG. 2 is a left view thereof;  
FIG. 3 is right view thereof;  
FIG. 4 is front view thereof;  
FIG. 5 is a back view thereof;  
FIG. 6 is a top view thereof;  
FIG. 7 is a bottom view thereof;  
FIG. 8 is a perspective view of the bottle with the cap removed to show details not shown in FIGS. 1-7;  
FIG. 9 is a left view thereof;  
FIG. 10 is right view thereof;  
FIG. 11 is front view thereof;  
FIG. 12 is a back view thereof;  
FIG. 13 is a top view thereof; and,  
FIG. 14 is a bottom view thereof.

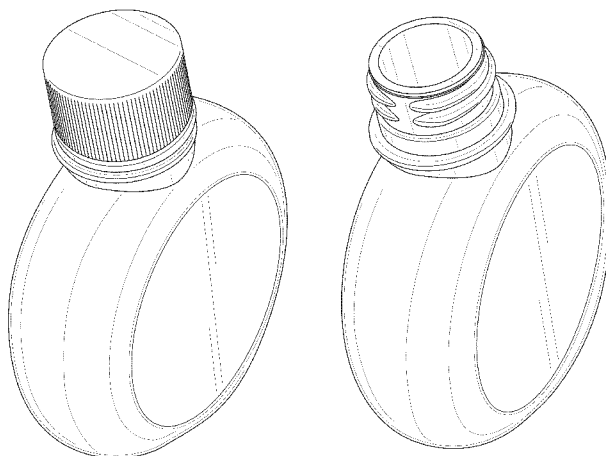
(56) **References Cited**

U.S. PATENT DOCUMENTS

|              |         |           |       |         |
|--------------|---------|-----------|-------|---------|
| D29,092 S *  | 7/1898  | Freeman   | ..... | D9/544  |
| D86,017 S *  | 1/1932  | Fuerst    | ..... | D9/526  |
| D86,712 S *  | 4/1932  | Fuerst    | ..... | D9/522  |
| D87,255 S *  | 6/1932  | Fuerst    | ..... | 215/382 |
| D99,648 S *  | 5/1936  | Mulhens   | ..... | D9/545  |
| D101,011 S * | 8/1936  | Scurlock  | ..... | D9/526  |
| D112,696 S * | 12/1938 | Havekost  | ..... | D9/526  |
| D168,851 S * | 2/1953  | Montenier | ..... | D9/526  |
| D255,985 S * | 7/1980  | Seelig    | ..... | D9/523  |
| D286,027 S * | 10/1986 | Waher     | ..... | D9/435  |
| D329,814 S * | 9/1992  | Libit     | ..... | D9/526  |
| D332,914 S * | 2/1993  | Stephens  | ..... | D4/114  |
| D370,834 S * | 6/1996  | Hartman   | ..... | D7/612  |
| D404,259 S * | 1/1999  | Tisdale   | ..... | D7/590  |

(Continued)

**1 Claim, 12 Drawing Sheets**



(56)

References Cited

U.S. PATENT DOCUMENTS

D406,988 S \* 3/1999 Tisdale ..... D7/612  
D546,692 S \* 7/2007 Verburg ..... D9/526  
D550,086 S \* 9/2007 Burks ..... D5/56  
D550,095 S \* 9/2007 De Oliveira Neto ..... D9/519  
D609,100 S \* 2/2010 Licari ..... D9/522  
D622,154 S \* 8/2010 Vishab ..... D9/454  
D661,994 S \* 6/2012 Van Den Wouwer ..... D9/529  
2012/0152882 A1 \* 6/2012 Tune ..... B65D 1/0223  
215/40  
2012/0187069 A1 \* 7/2012 Harris ..... B29C 49/06  
215/44

FOREIGN PATENT DOCUMENTS

RU 00062234 \* 4/2007  
WO WO D064597-001 \* 11/2003

OTHER PUBLICATIONS

Bonnies Vintage Attic, Etsy, BLue Oxfordware Pitcher Cork, oldest review Apr. 2012, online, site visited Sep. 3, 2015, <https://www.etsy.com/listing/245281158/blue-oxfordware-pitcher-cork-lined?ref=market>.\*

\* cited by examiner

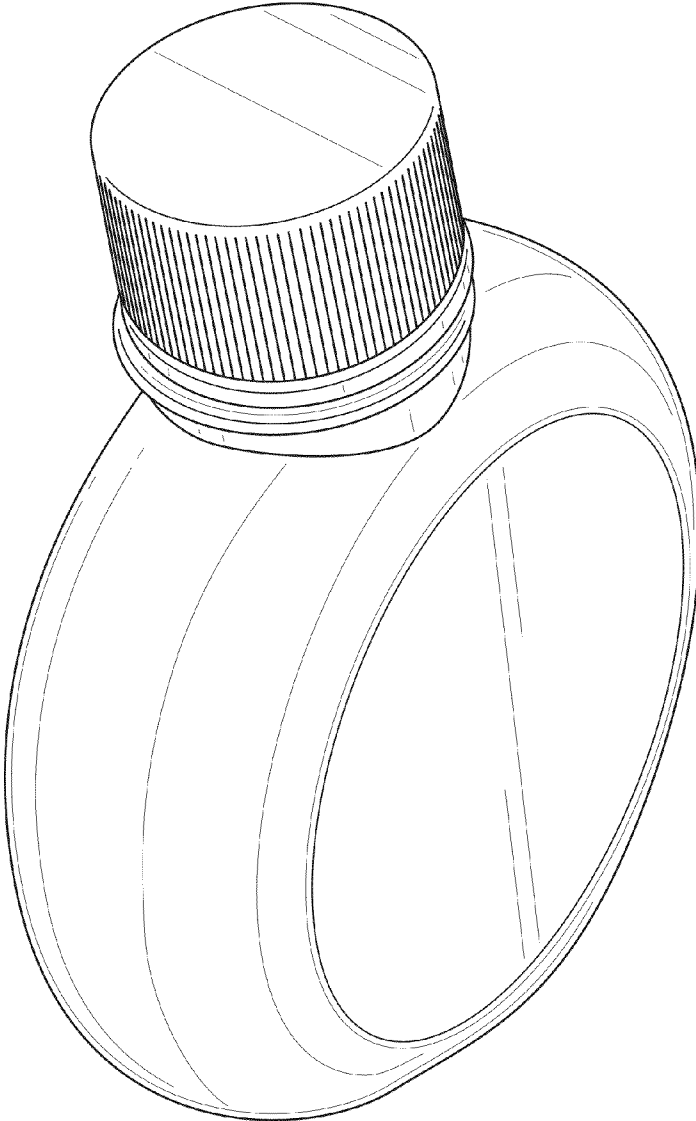


FIG. 1

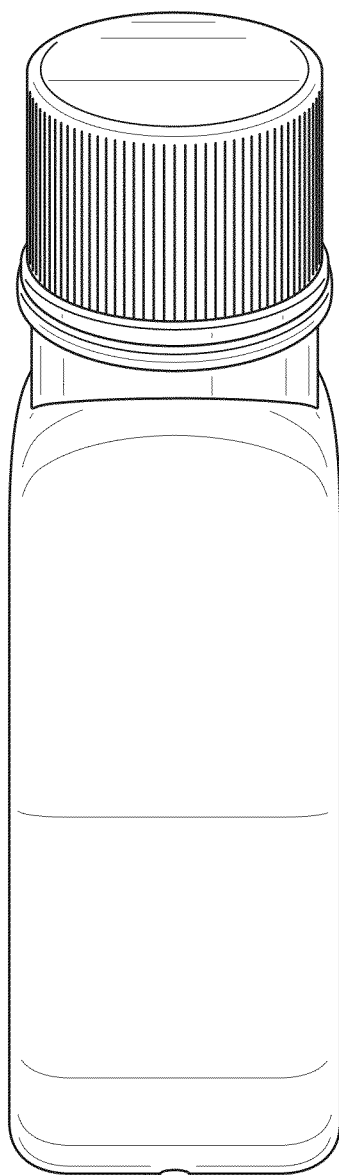


FIG. 2

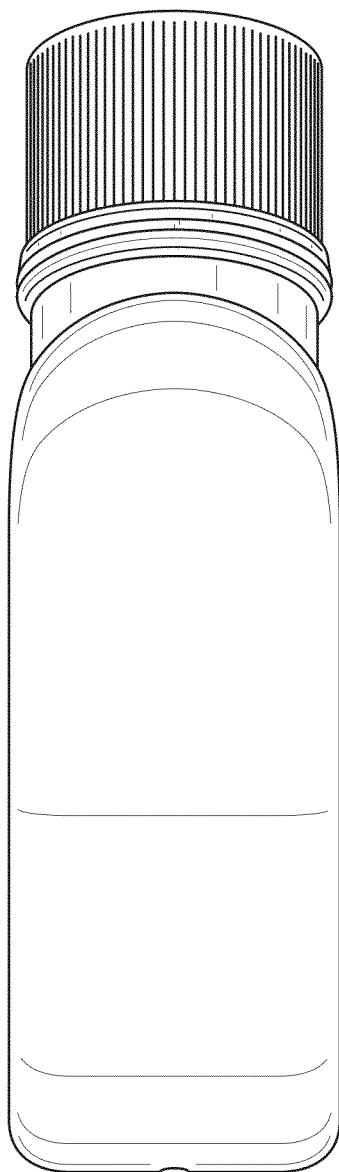


FIG. 3

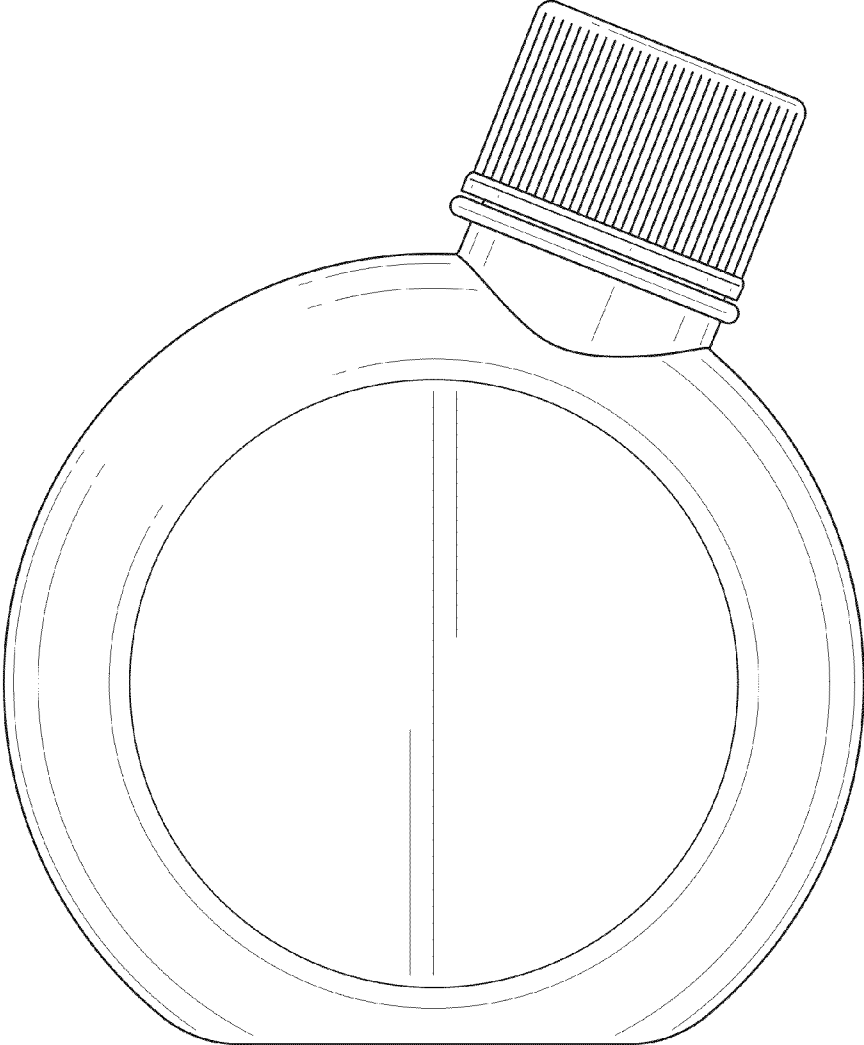


FIG. 4

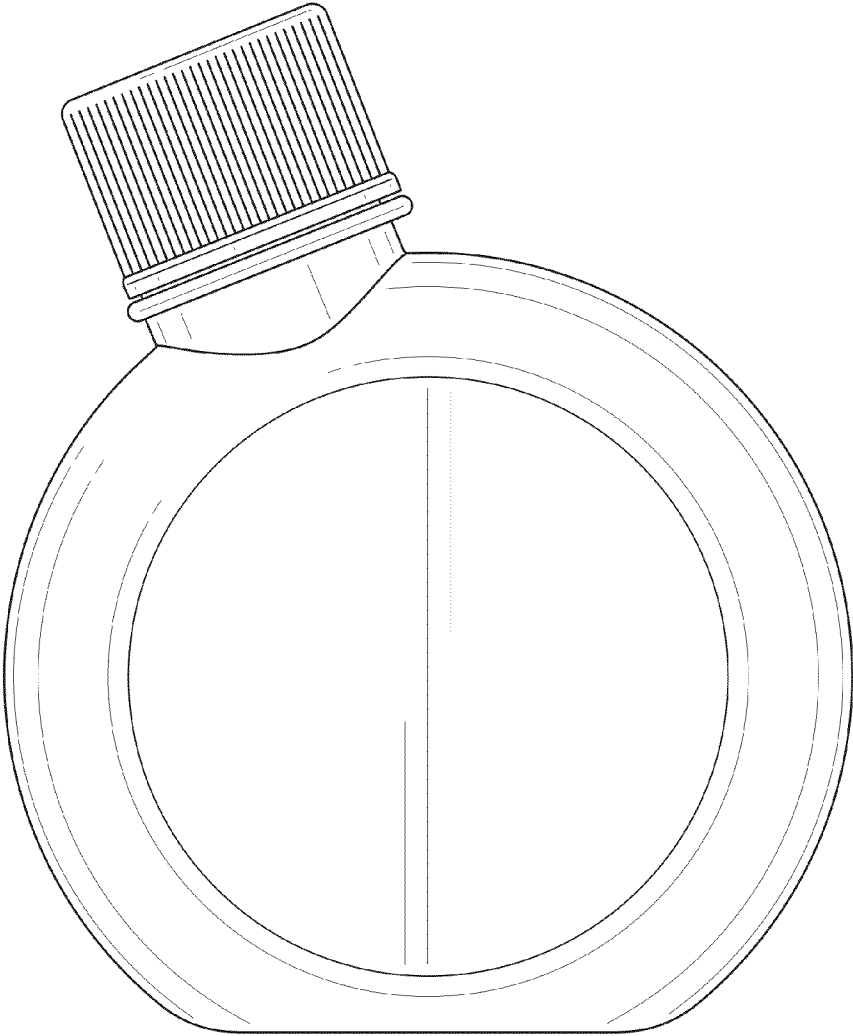


FIG. 5

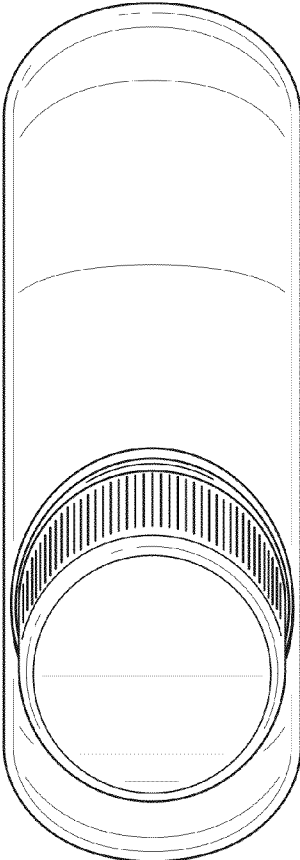


FIG. 6

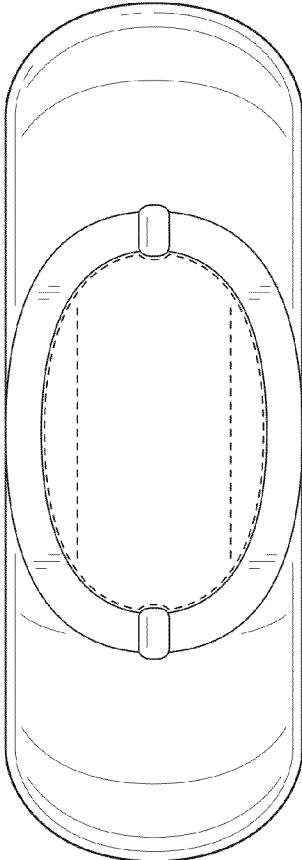


FIG. 7



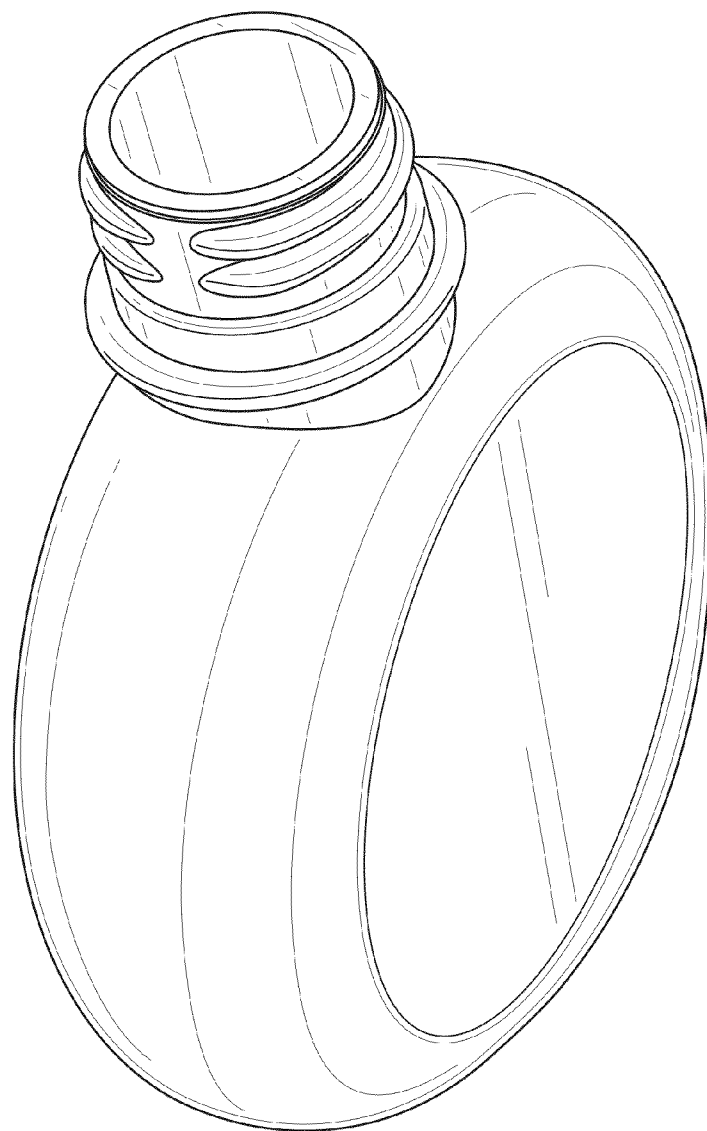


FIG. 8

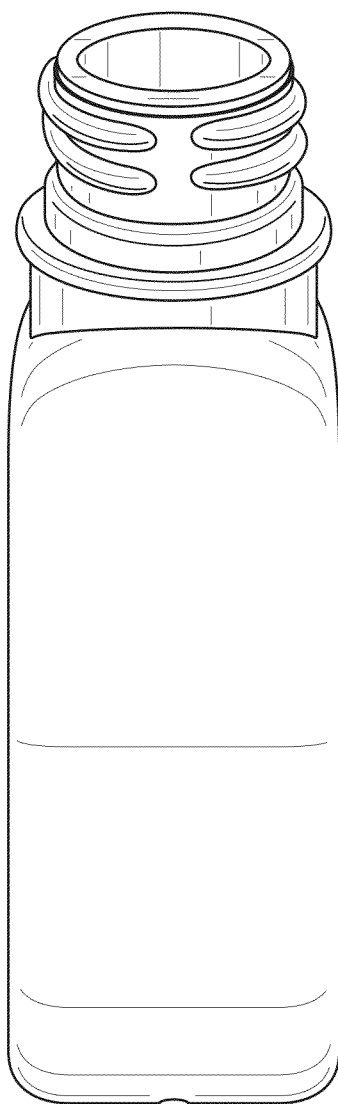


FIG. 9

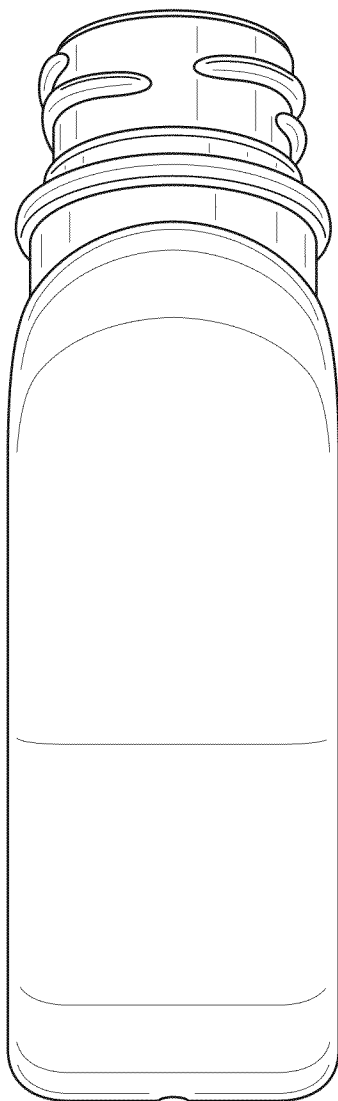


FIG. 10

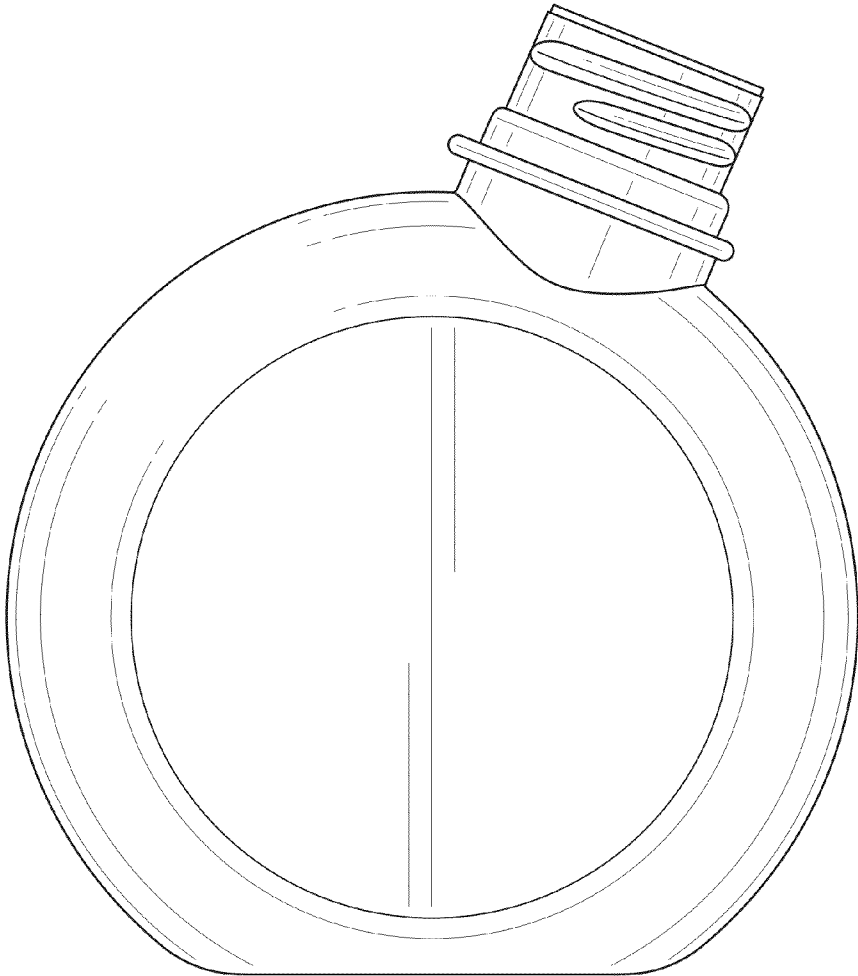


FIG. 11

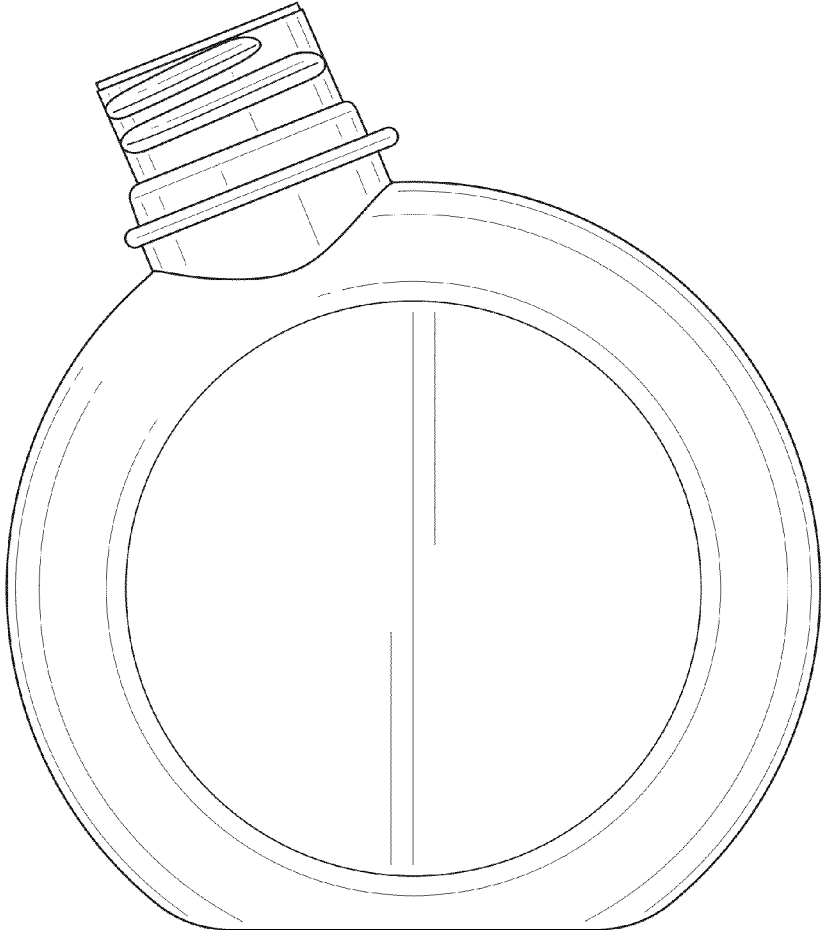


FIG. 12

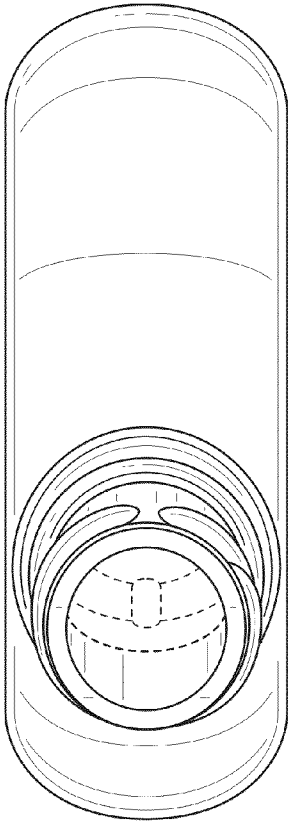


FIG. 13

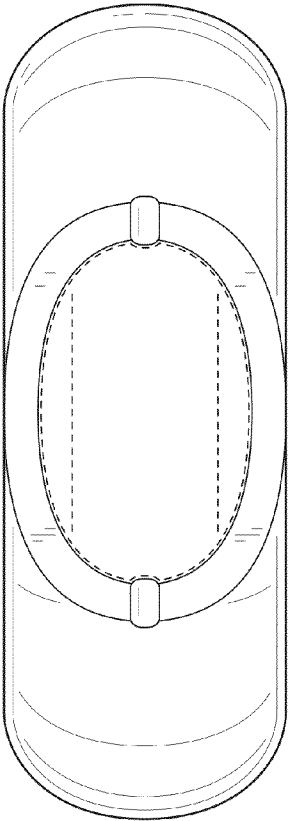


FIG. 14