



US00D930360S

(12) **United States Design Patent**  
**Cai**

(10) **Patent No.:** **US D930,360 S**

(45) **Date of Patent:** **\*\* Sep. 14, 2021**

(54) **TOOL BAG**

(71) Applicant: **Xiao Cai**, Shenzhen (CN)

(72) Inventor: **Xiao Cai**, Shenzhen (CN)

(\*\*) Term: **15 Years**

(21) Appl. No.: **29/736,248**

(22) Filed: **May 28, 2020**

(51) **LOC (13) Cl.** ..... **03-01**

(52) **U.S. Cl.**

USPC ..... **D3/289**; D3/299; D3/905

(58) **Field of Classification Search**

USPC ..... D3/203.1, 203.6, 207, 212, 215, 219,  
D3/226, 228, 247-253, 263, 265-266,  
D3/273, 276, 283-286, 289-303, 315,  
D3/905; D6/513, 553, 555; D19/95, 99  
CPC .. A45C 1/06; A45C 1/024; A45C 3/00; A45C  
3/004; A45C 3/06; A45C 3/08; A45C  
2003/008; A45C 5/00; A45C 5/005; A45C  
5/04; A45C 7/0077; A45C 7/0095; A45C  
11/00; A45C 11/16; A45C 2011/002;  
A45C 13/00; A45C 13/002; A45C  
13/0058; A45C 13/10; A45C 13/18; A45C  
13/30; A45F 5/00; A47C 1/14; A47C  
7/62; A47F 5/0006; A47F 7/19; B25F  
1/0006; B25F 5/029; B67B 7/16; B67B  
7/44; G09F 3/08

See application file for complete search history.

(56) **References Cited**

**U.S. PATENT DOCUMENTS**

D271,787 S \* 12/1983 Finley ..... D3/224  
4,836,374 A \* 6/1989 Hutchins ..... A45C 3/00  
206/373  
D303,042 S \* 8/1989 Mackey ..... D6/630  
D359,163 S \* 6/1995 Summerfield ..... D3/205  
5,423,404 A \* 6/1995 Shaw ..... A45C 3/00  
190/102  
D367,759 S \* 3/1996 Jacobson ..... D3/301

D428,755 S \* 8/2000 Bergh ..... D6/629  
D433,064 S \* 10/2000 Eskandry ..... D19/26  
D434,796 S \* 12/2000 Coleman ..... D19/27

(Continued)

**FOREIGN PATENT DOCUMENTS**

CN 302609263 \* 10/2013  
EM 007983135-0002 \* 6/2020  
KR 300579429.0000 \* 11/2010

**OTHER PUBLICATIONS**

T-Work's compact hard case tool bag, unknown first available date, neobuggy.net [online], [site visited May 19, 2021], Available at internet URL: <http://www.neobuggy.net/2020/05/04/t-works-compact-hard-case-tool-bag/> (Year: 2021).\*

(Continued)

*Primary Examiner* — Jeffrey D Asch  
*Assistant Examiner* — Caitlin A Laverty  
(74) *Attorney, Agent, or Firm* — W&K IP

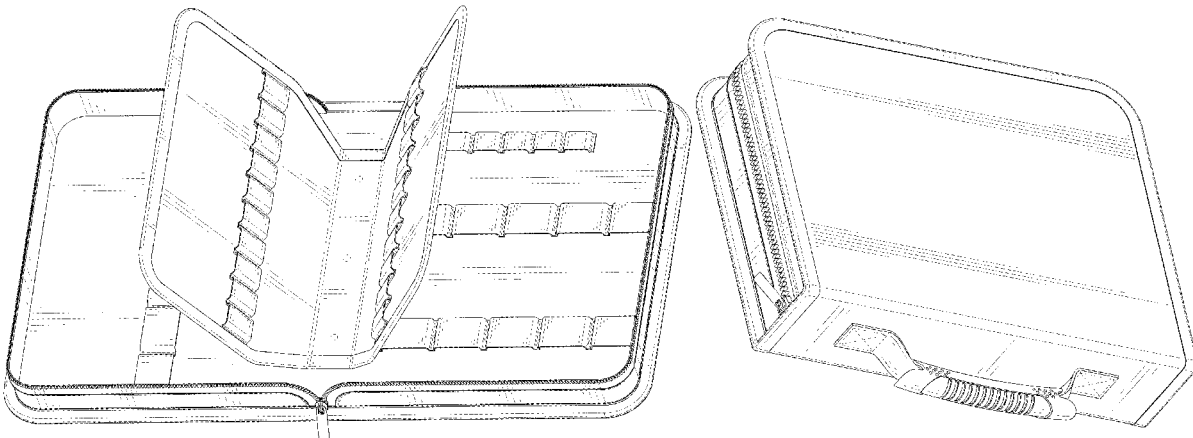
(57) **CLAIM**

The ornamental design for a tool bag, as shown and described.

**DESCRIPTION**

FIG. 1 is a perspective view of a tool bag showing my new design;  
FIG. 2 is another perspective view thereof;  
FIG. 3 is a front elevational view thereof;  
FIG. 4 is a rear elevational view thereof;  
FIG. 5 is a left side elevational view thereof;  
FIG. 6 is a right side elevational view thereof;  
FIG. 7 is a top plan view thereof;  
FIG. 8 is a bottom plan view thereof; and,  
FIG. 9 is a perspective view of the tool bag where the tool bag is in a close state.  
The broken lines in the drawings depict portions of the tool bag that form no part of the claimed design.

**1 Claim, 9 Drawing Sheets**



(56)

**References Cited**

## U.S. PATENT DOCUMENTS

D434,803 S \* 12/2000 Eskandry ..... D19/26  
D435,863 S \* 1/2001 Eskandry ..... D19/27  
D437,172 S \* 2/2001 Hillman ..... D3/218  
D473,049 S \* 4/2003 Devine ..... D3/228  
D486,030 S \* 2/2004 Bergh ..... D3/301  
D489,899 S \* 5/2004 Carter ..... D3/301  
D511,921 S \* 11/2005 Bergh ..... D6/407  
D603,166 S \* 11/2009 Becker ..... D3/301  
D718,046 S \* 11/2014 Figueroa ..... D3/228  
D867,759 S \* 11/2019 Liu ..... D3/303  
D879,462 S \* 3/2020 Si ..... D3/206  
D881,573 S \* 4/2020 Liu ..... D3/303  
D894,588 S \* 9/2020 Kwok ..... D3/203.1  
2019/0246761 A1 \* 8/2019 Tibbs-Mackey ..... A45C 11/34

## OTHER PUBLICATIONS

Rannb Tool Bag Organize Tool Pouch, first available Oct. 7, 2019, amazon.com [online], [site visited May 19, 2021], Available at internet URL: [https://www.amazon.com/Rannb-Organize-Zipper-Multi-Purpose-Organizer/dp/B07YTPX7PN/ref=asc\\_df\\_B07YTPX7PN/?tag=hyprod-20&linkCode=df0&hvadid=385272107002&hvpos=&hvnetw=g&hvrnd=8902813339533539467&hvpone=&hvptwo=&hvqmt=&hvdev=c&hvdvcmdl=&hvlocint=&hvlocphy=9008156&hvtargid=pla-838533345267&psc=1&tag=&ref=&adgrpid=78829231656&hvpone=&hvptwo=&hvadid=385272107002&hvpos=&hvnetw=g&hvrnd=8902813339533539467&hvqmt=&hvdev=c&hvdvcmdl=&hvlocint=&hvlocphy=9008156&hvtargid=pla-838533345267.\\*](https://www.amazon.com/Rannb-Organize-Zipper-Multi-Purpose-Organizer/dp/B07YTPX7PN/ref=asc_df_B07YTPX7PN/?tag=hyprod-20&linkCode=df0&hvadid=385272107002&hvpos=&hvnetw=g&hvrnd=8902813339533539467&hvpone=&hvptwo=&hvqmt=&hvdev=c&hvdvcmdl=&hvlocint=&hvlocphy=9008156&hvtargid=pla-838533345267&psc=1&tag=&ref=&adgrpid=78829231656&hvpone=&hvptwo=&hvadid=385272107002&hvpos=&hvnetw=g&hvrnd=8902813339533539467&hvqmt=&hvdev=c&hvdvcmdl=&hvlocint=&hvlocphy=9008156&hvtargid=pla-838533345267.*)

\* cited by examiner

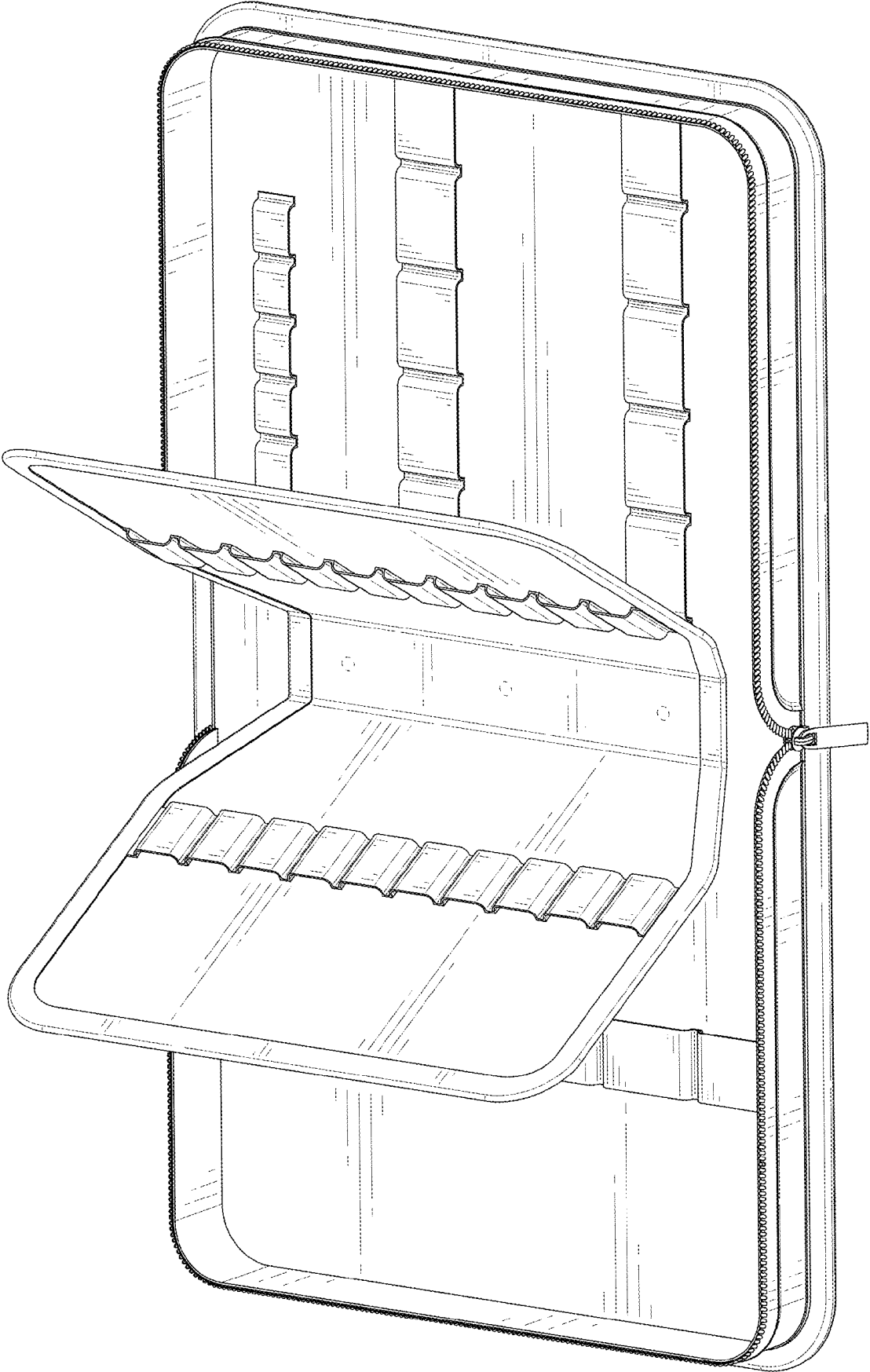


FIG. 1

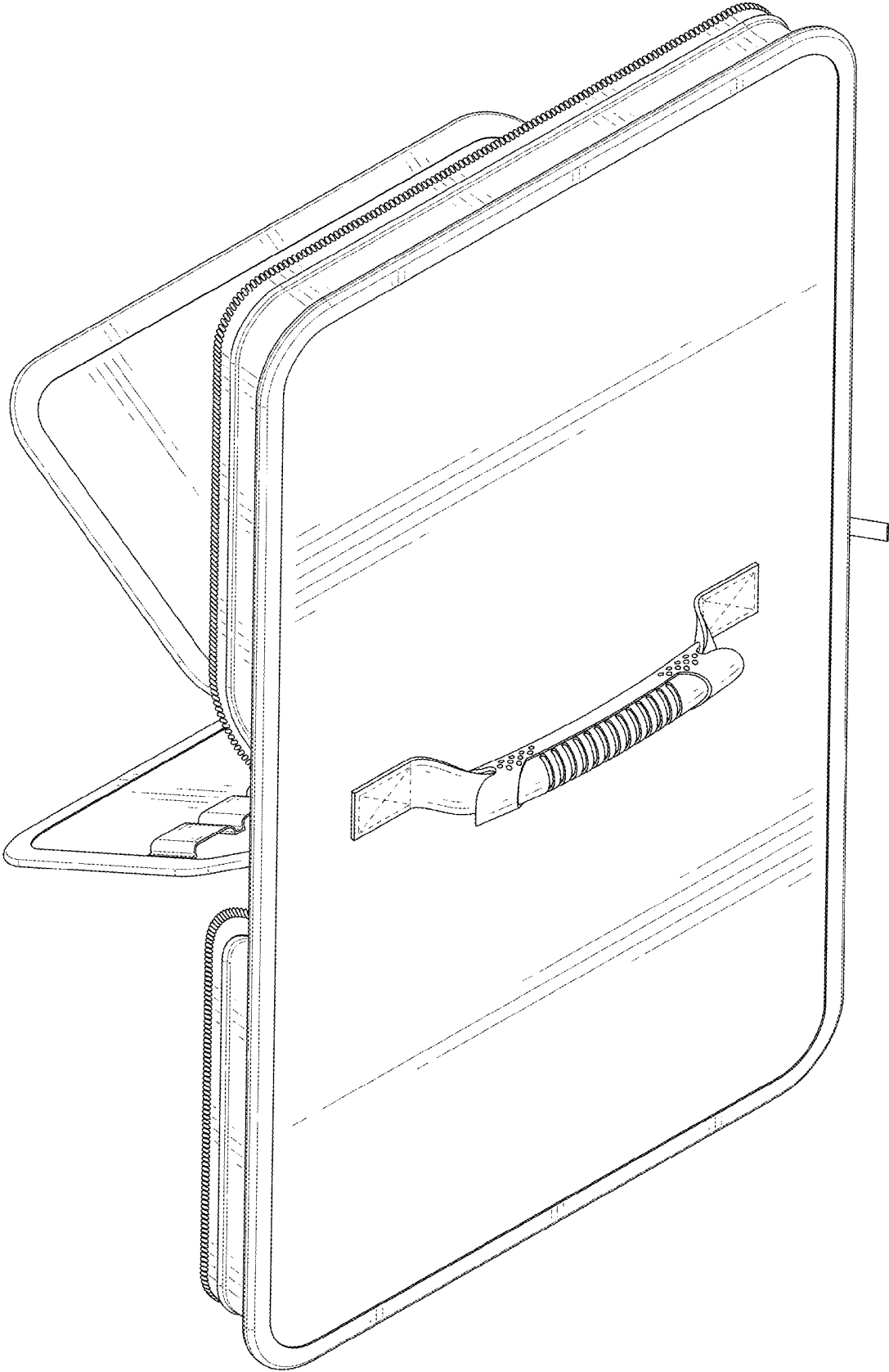


FIG. 2

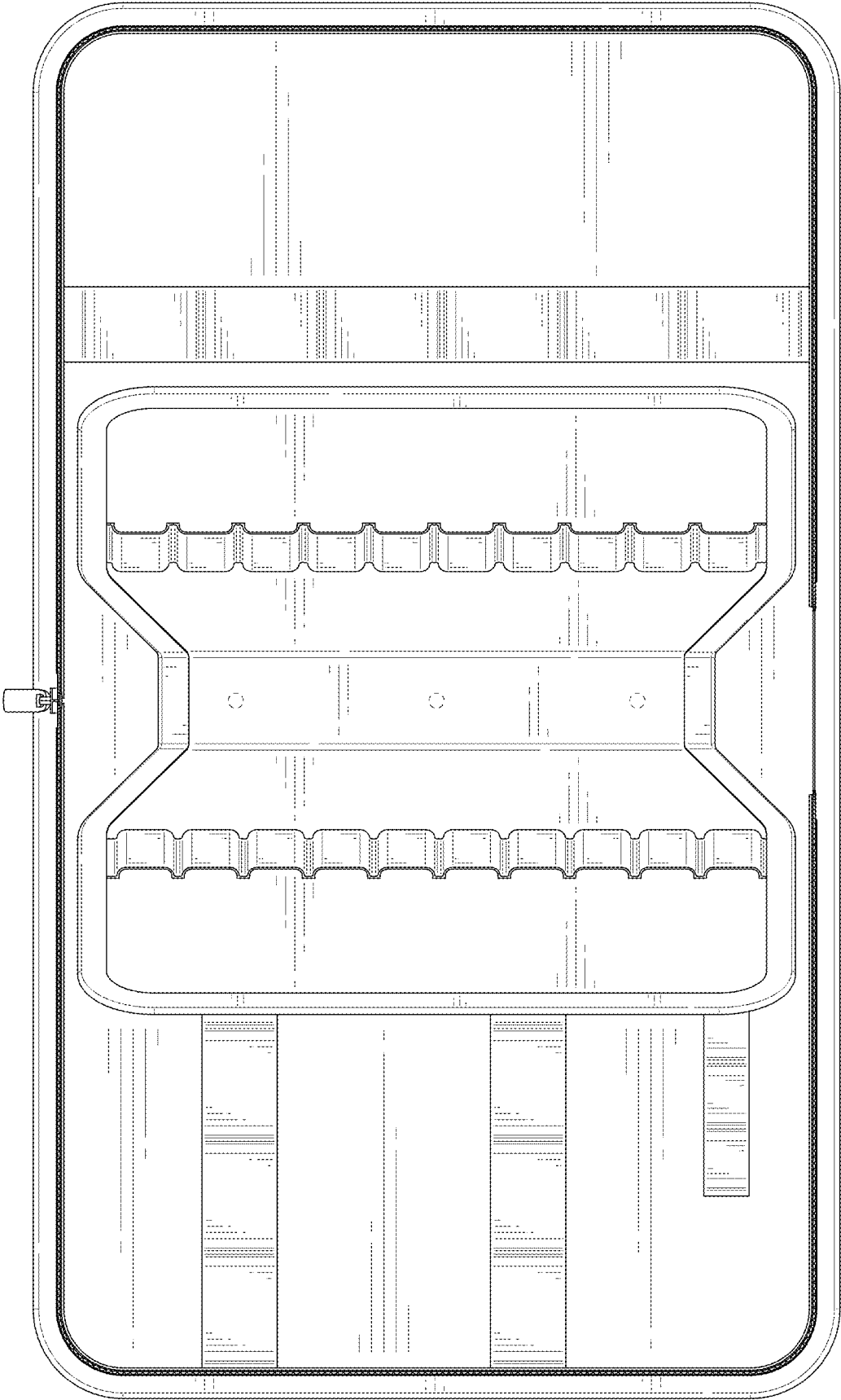


FIG. 3

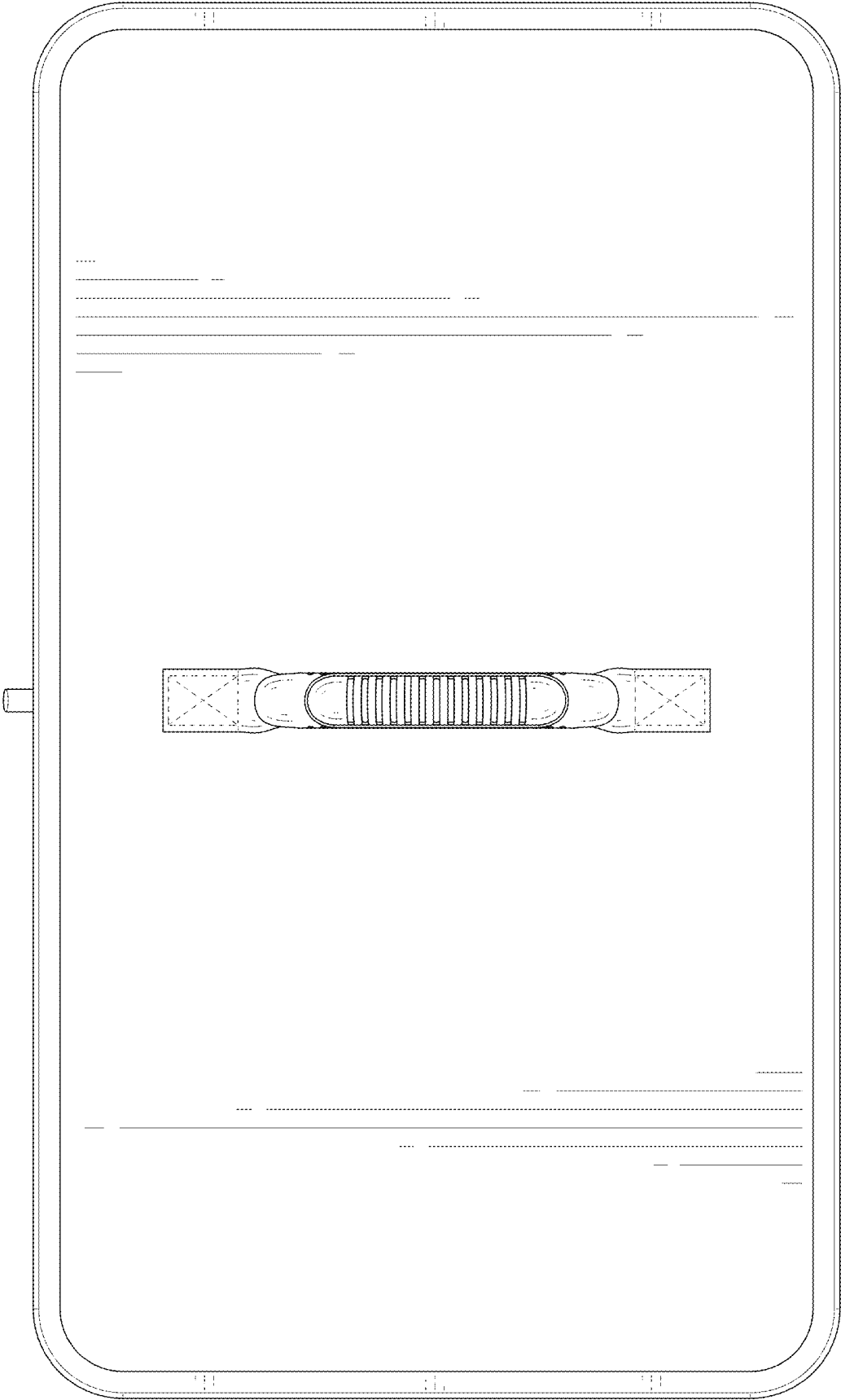


FIG. 4

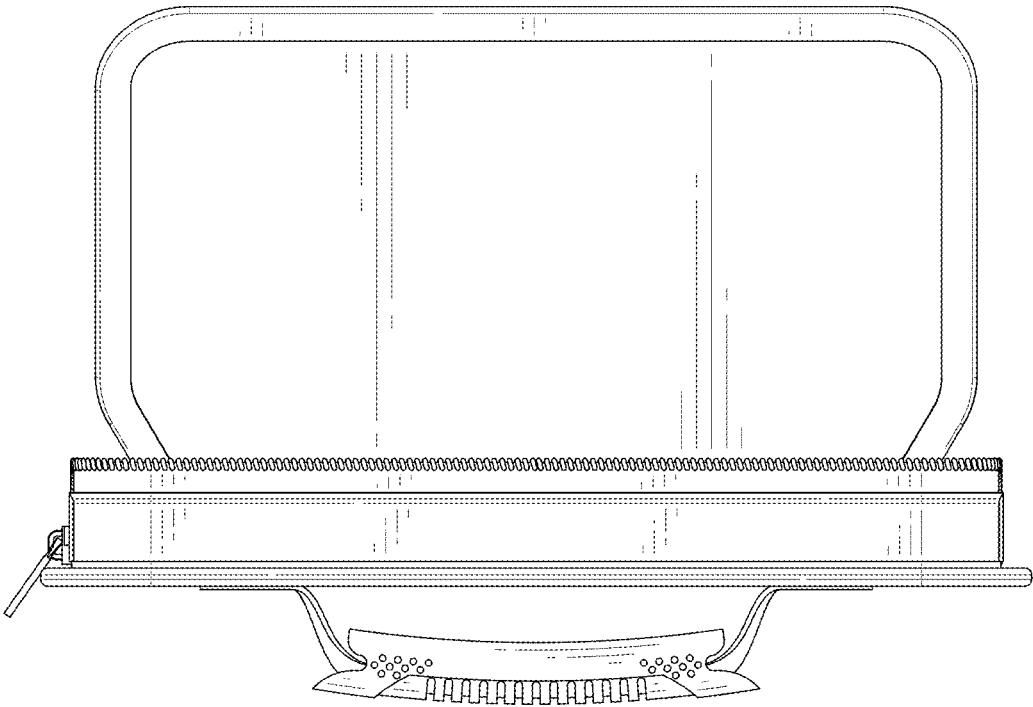


FIG. 5

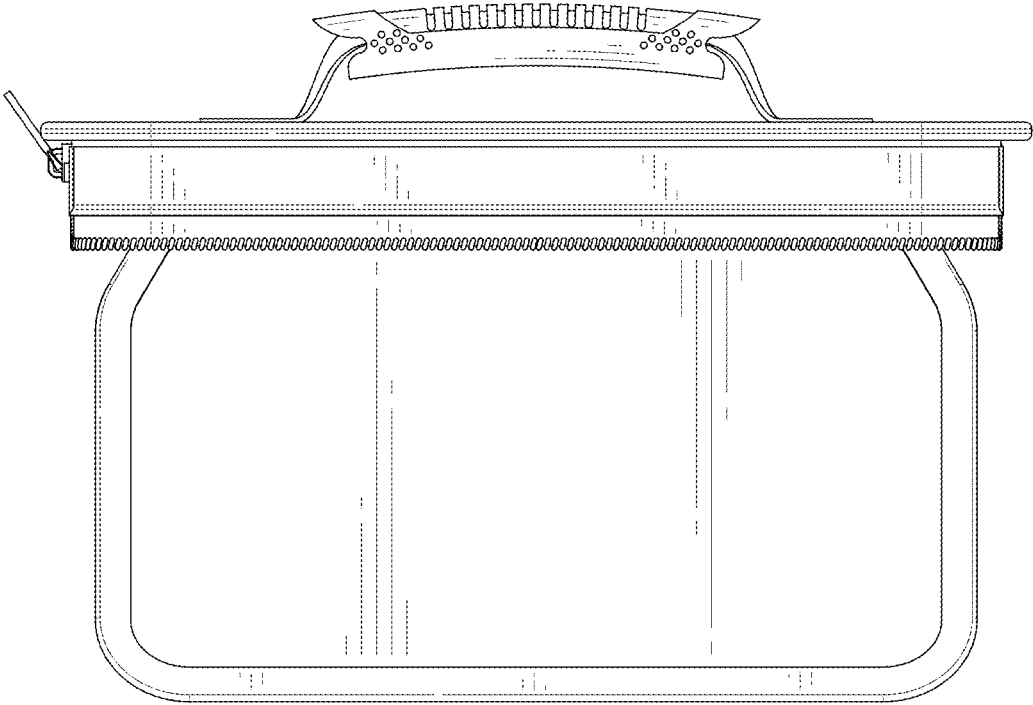


FIG. 6

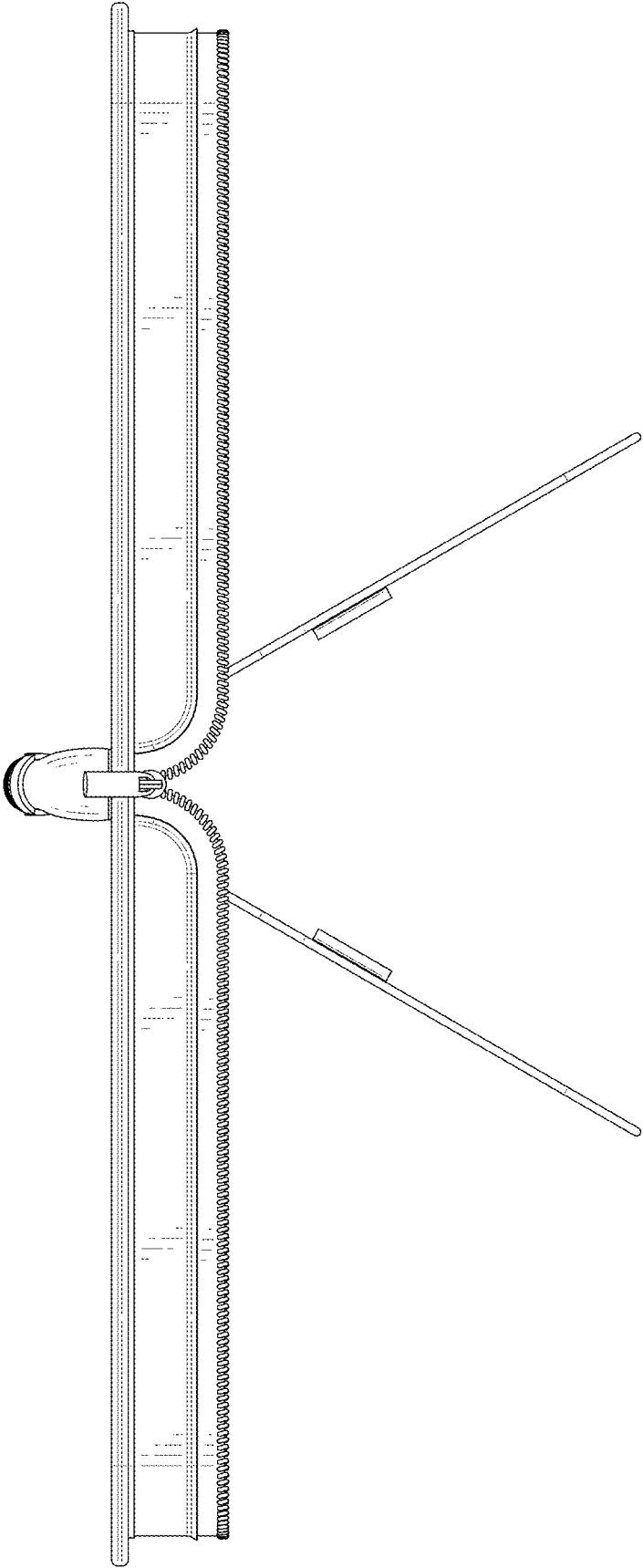


FIG. 7

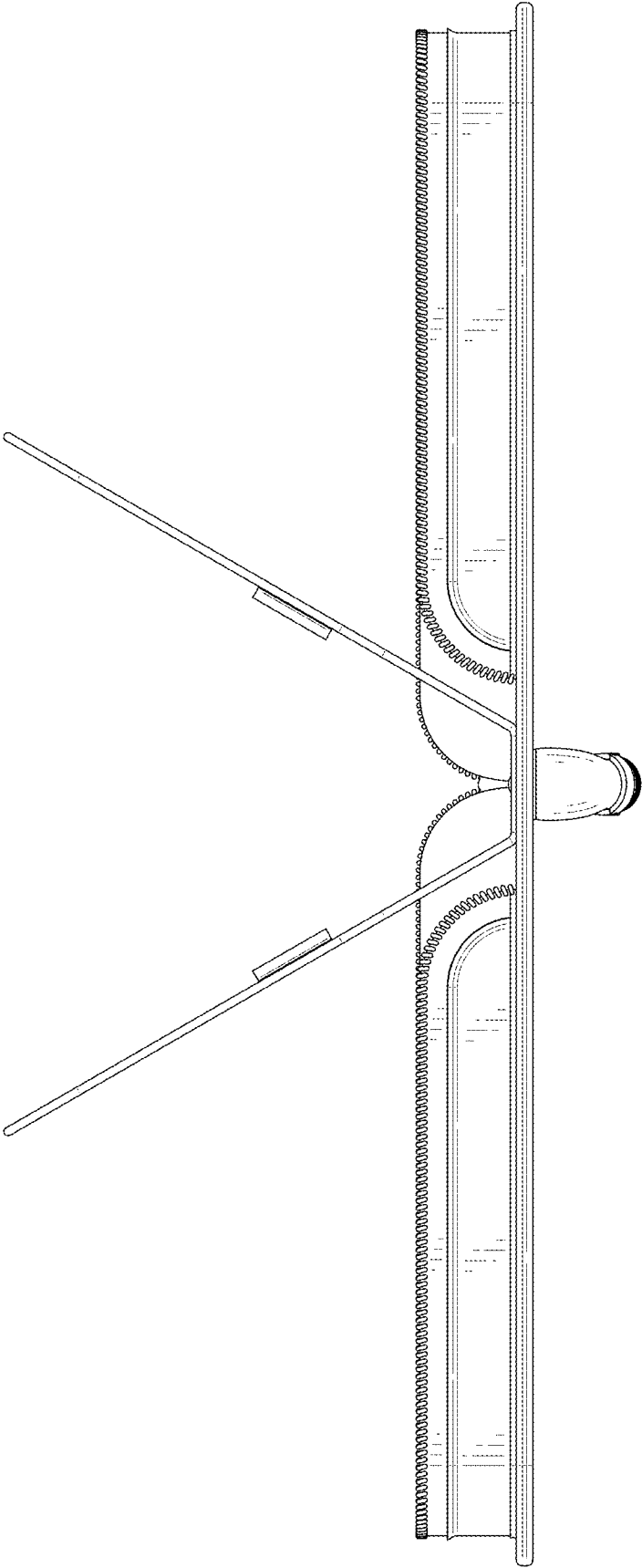


FIG. 8

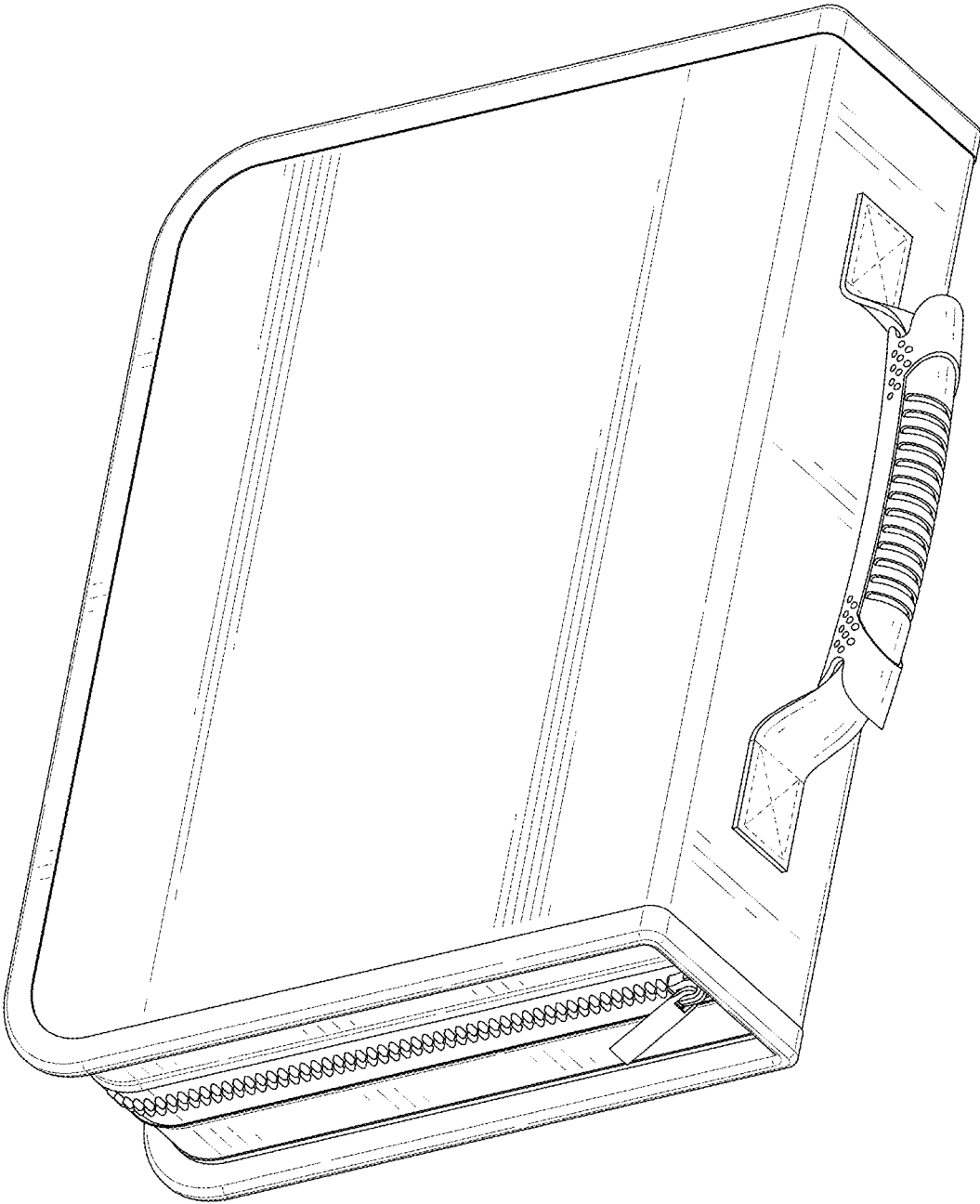


FIG. 9