



US0D1006597S

(12) **United States Design Patent**  
**Cheng**

(10) **Patent No.:** **US D1,006,597 S**

(45) **Date of Patent:** **\*\* Dec. 5, 2023**

(54) **GUIDE ROLLER**

(71) Applicant: **Feng Cheng**, Jinhua (CN)

(72) Inventor: **Feng Cheng**, Jinhua (CN)

(\*\*) Term: **15 Years**

(21) Appl. No.: **29/878,801**

(22) Filed: **Jun. 28, 2023**

**Related U.S. Application Data**

(63) Continuation of application No. 29/887,249, filed on Mar. 19, 2023, now Pat. No. Des. 995,268.

(51) **LOC (14) Cl.** ..... **09-06**

(52) **U.S. Cl.**  
USPC ..... **D8/356; D8/360**

(58) **Field of Classification Search**

USPC ..... D8/349, 354, 356, 360, 377, 400, 402  
CPC ..... E05Y 2201/688; E05Y 2900/00; E05Y  
2201/244; E05Y 2900/20; E05Y  
2201/614; E05Y 2201/212; E05Y  
2201/264; E05Y 2201/422; E06B 9/58;  
B60J 5/06; B60J 5/0416; B60J 5/12;  
E05D 15/165; E05D 15/0652; E05D  
15/063; E05D 13/1261; E05D 15/1047;  
E05D 15/0621; E05D 13/00; E05D  
15/0643; E05D 2015/1026; E05D 3/18;  
B65H 57/14; B65H 57/26; B65H 51/04;  
B65H 51/02

See application file for complete search history.

(56) **References Cited**

**U.S. PATENT DOCUMENTS**

D133,003 S \* 7/1942 Wortman ..... D8/402  
4,344,553 A \* 8/1982 Leshner ..... B65H 51/02  
226/176

D316,032 S 4/1991 Westphal et al.  
6,082,499 A \* 7/2000 O'Donnell ..... E05D 15/12  
187/334  
D678,040 S 3/2013 Shikama et al.  
D688,549 S 8/2013 Shikama et al.  
10,538,947 B2 \* 1/2020 Boring ..... E05D 15/0626  
D875,506 S 2/2020 Neves  
D995,268 S \* 8/2023 Cheng ..... D8/356  
2014/0311035 A1 \* 10/2014 Gilliam ..... E06B 3/4636  
49/506  
2017/0051554 A1 \* 2/2017 Dastrup ..... E06B 3/4654  
2021/0270068 A1 \* 9/2021 Veilleux ..... E05D 15/0652

\* cited by examiner

*Primary Examiner* — Lauren R Calve

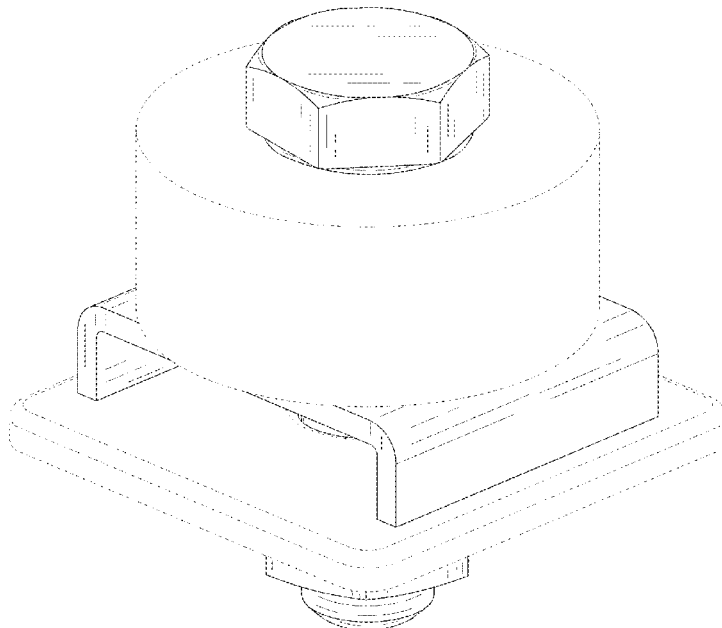
(57) **CLAIM**

The ornamental design for a guide roller, as shown and described.

**DESCRIPTION**

FIG. 1 is a front and top perspective view of the guide roller, showing my new design;  
FIG. 2 is a rear and bottom perspective view thereof;  
FIG. 3 is a front elevation view thereof;  
FIG. 4 is a rear elevation view thereof;  
FIG. 5 is a left side elevation view thereof;  
FIG. 6 is a right side elevation view thereof;  
FIG. 7 is a top plan view thereof; and,  
FIG. 8 is a bottom plan view thereof.  
The dashed lines in the figures illustrate portions of the guide roller that form no part of the claimed design.

**1 Claim, 8 Drawing Sheets**



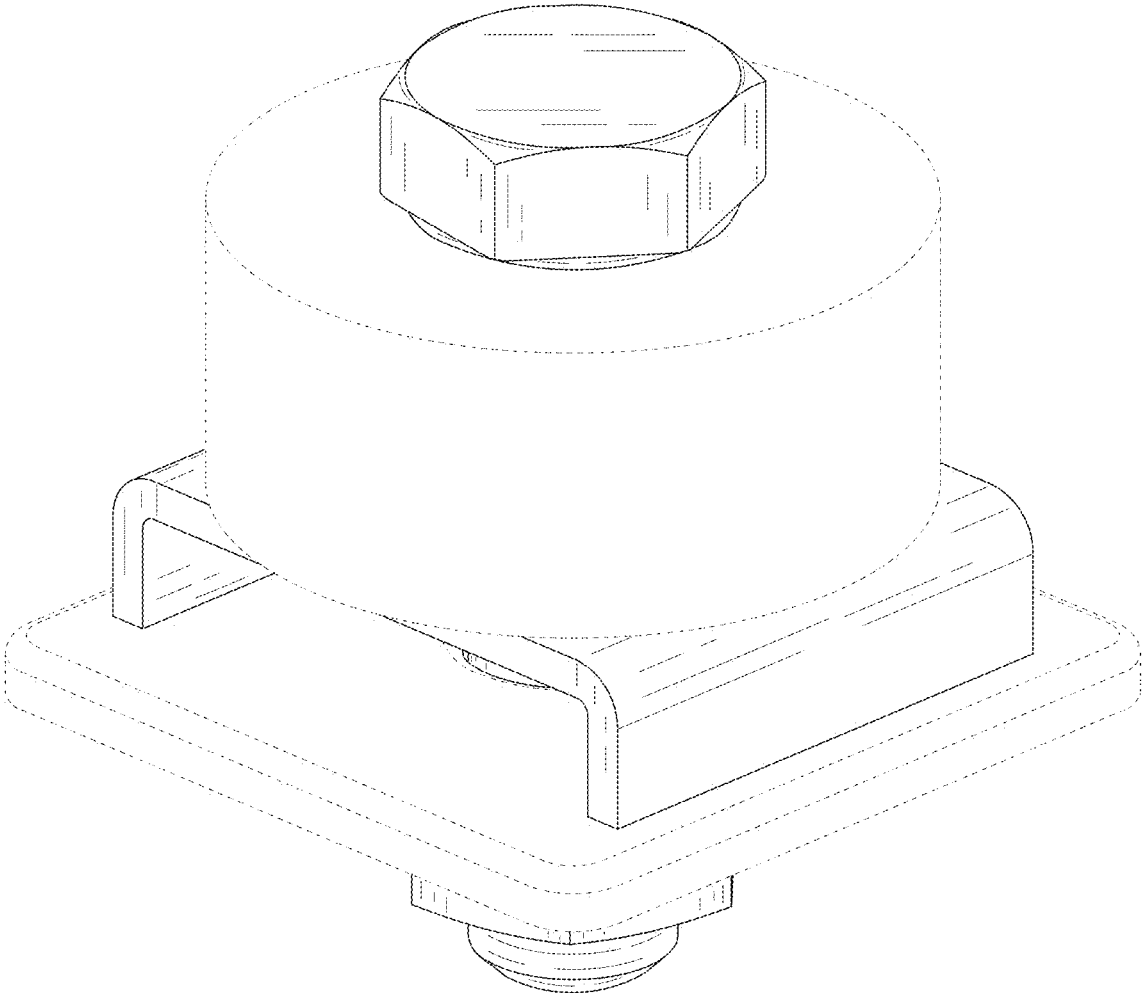


FIG. 1

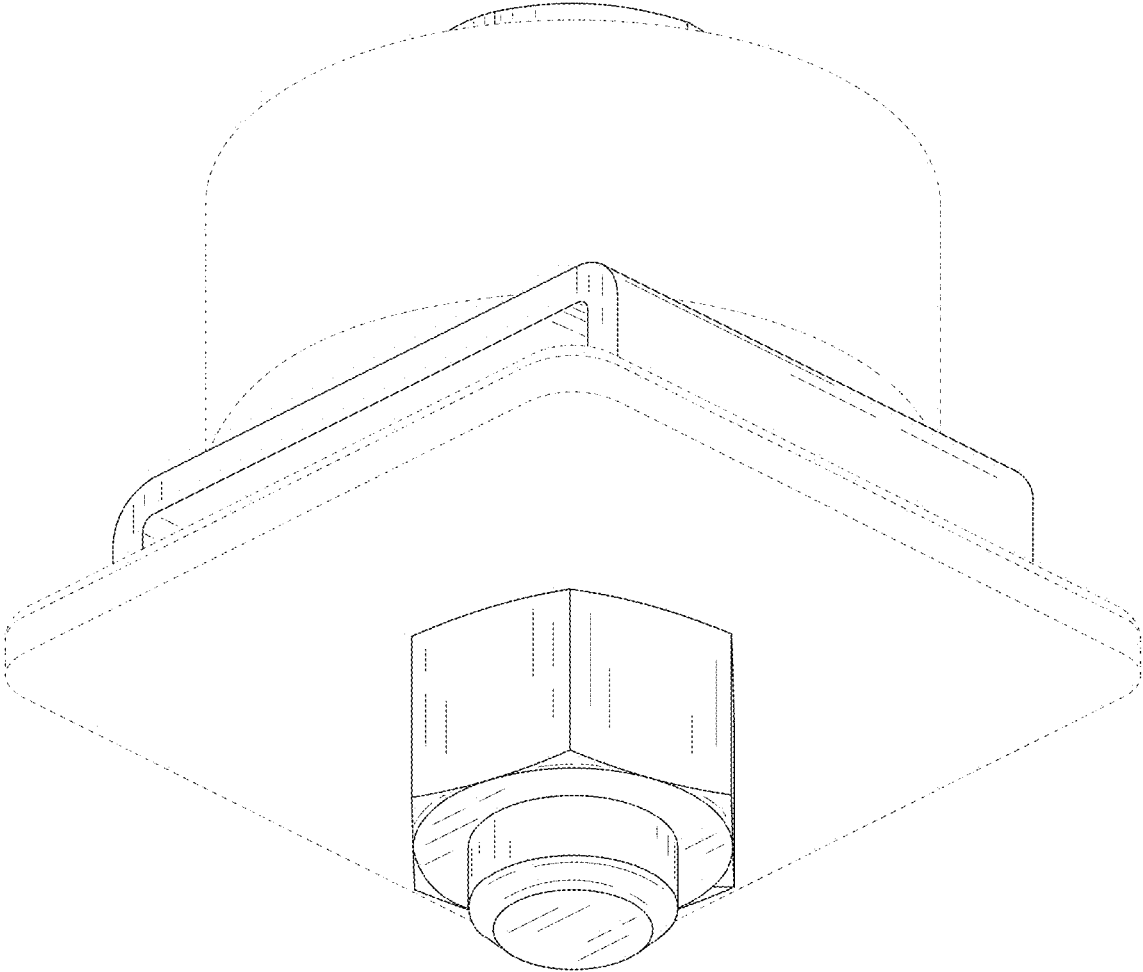


FIG. 2

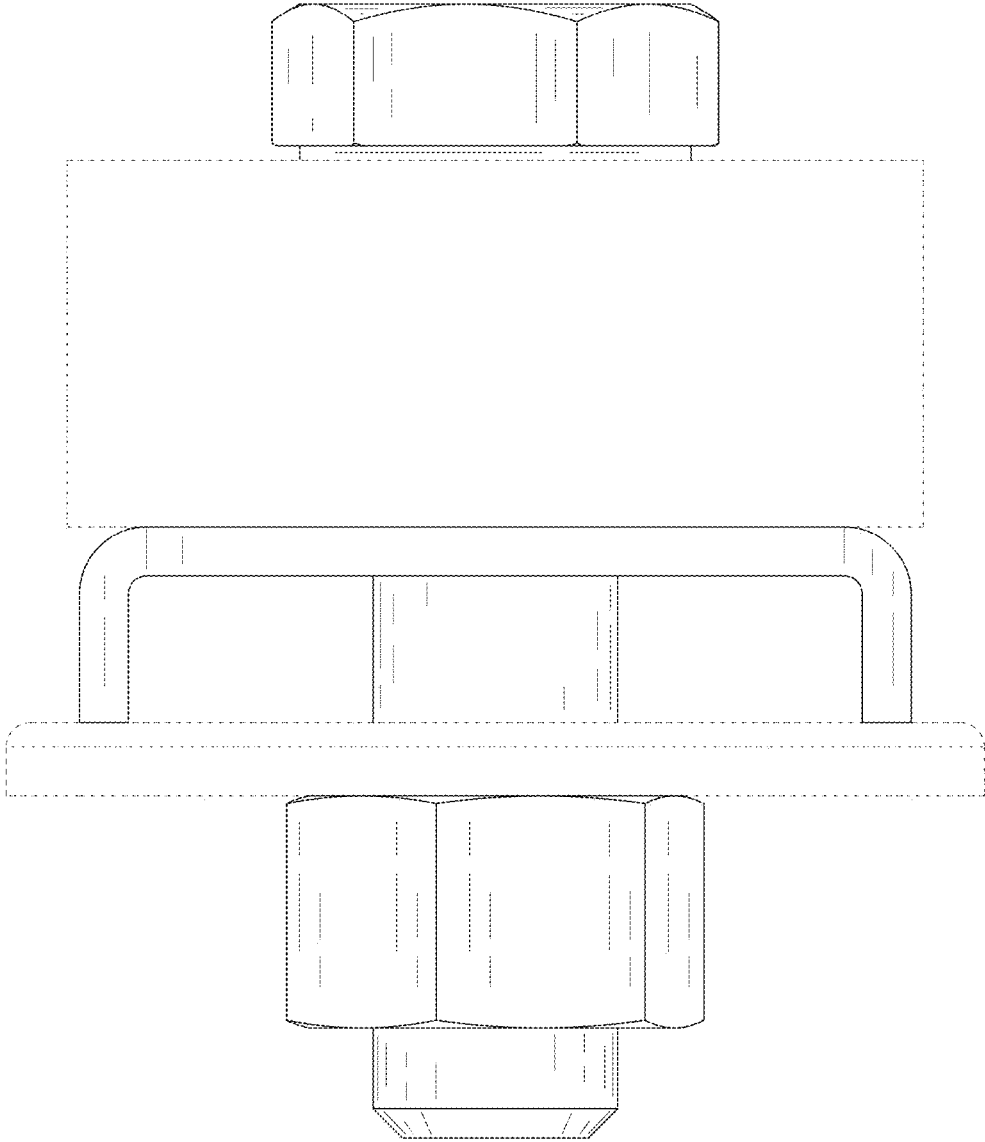


FIG. 3

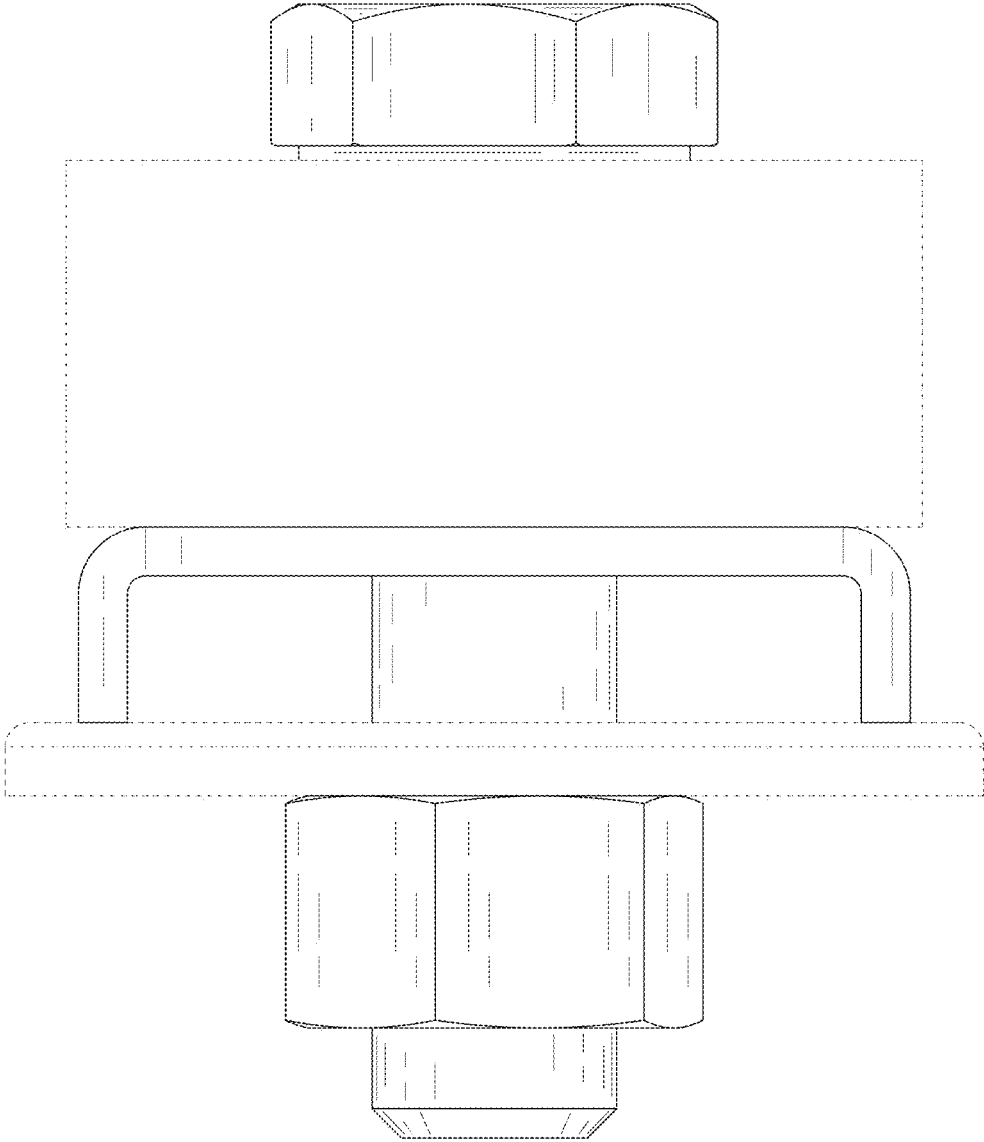


FIG. 4

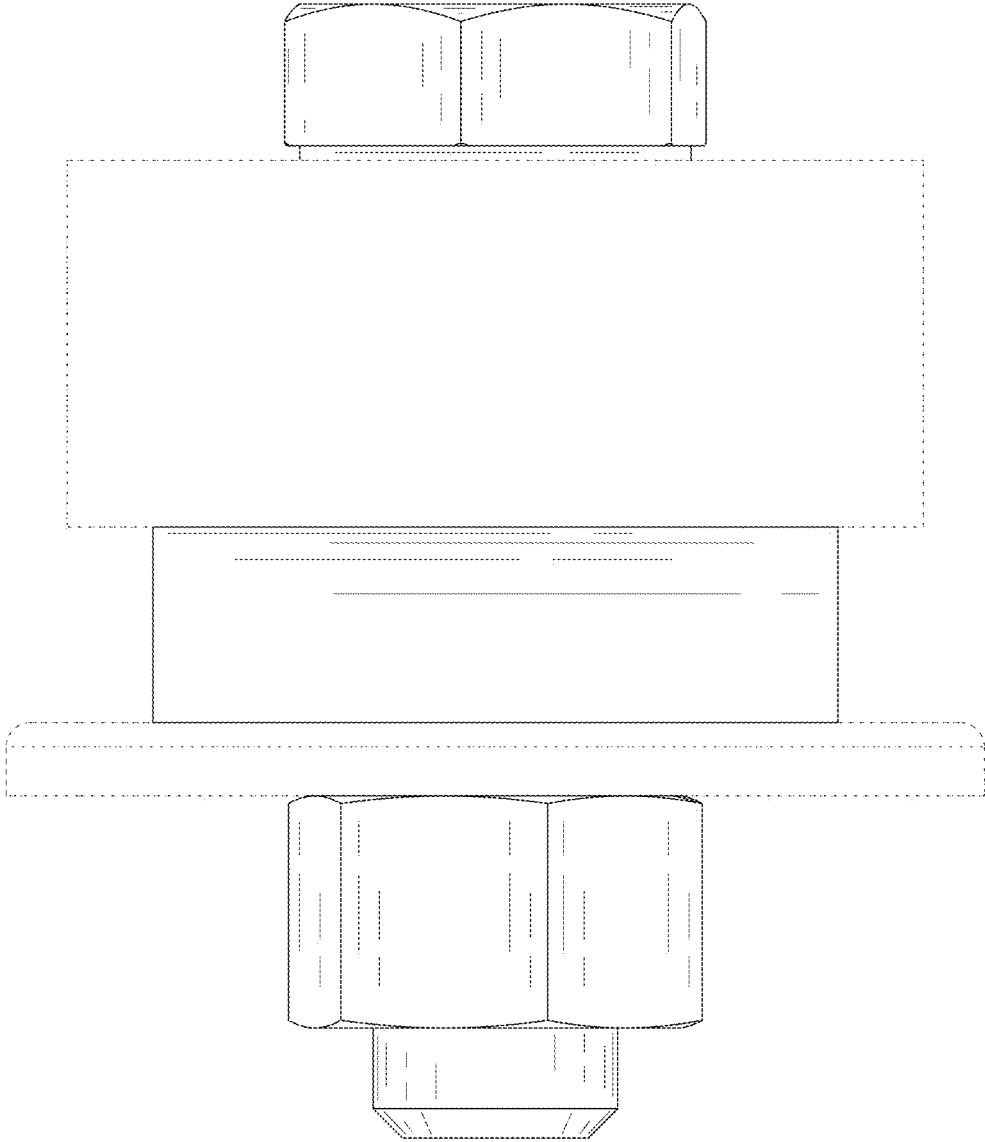


FIG. 5

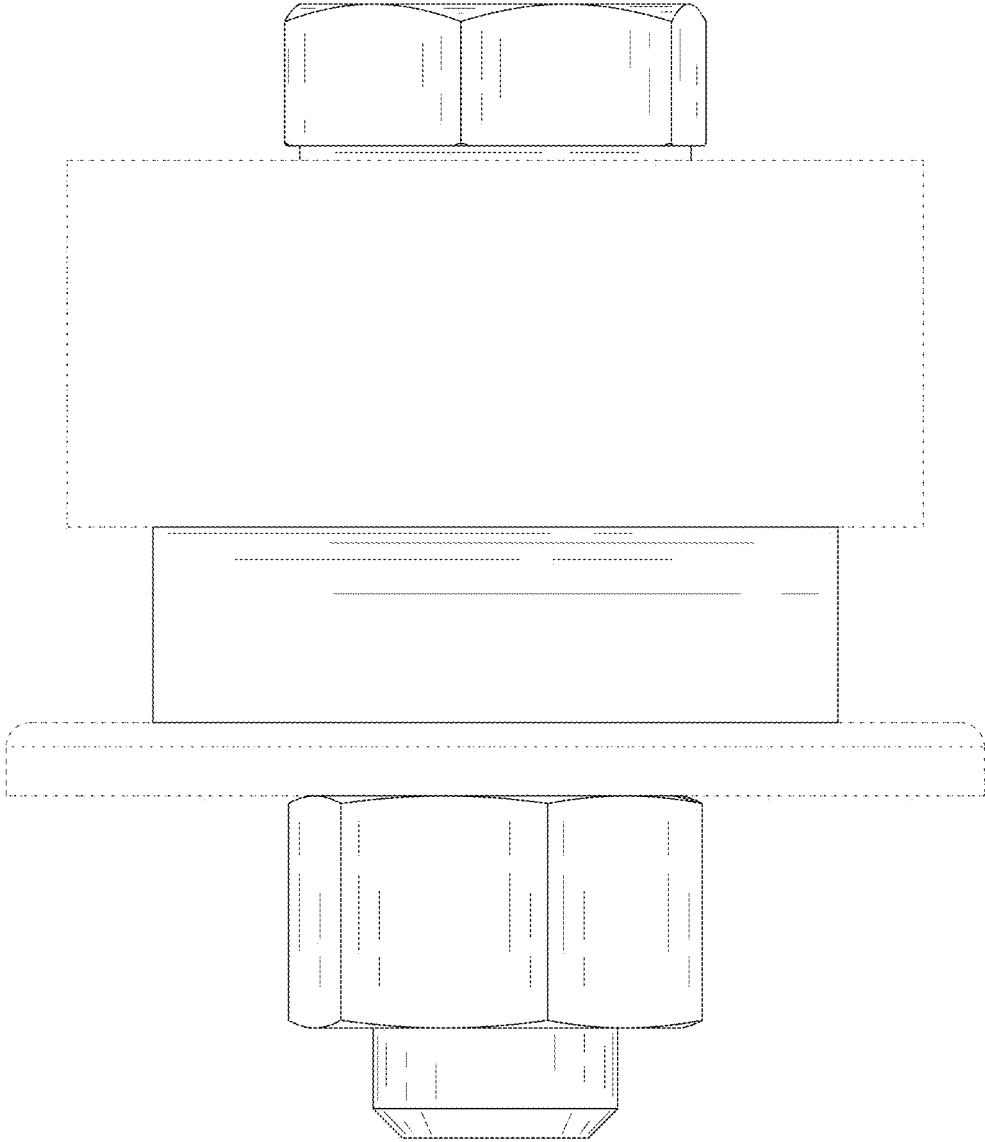


FIG. 6

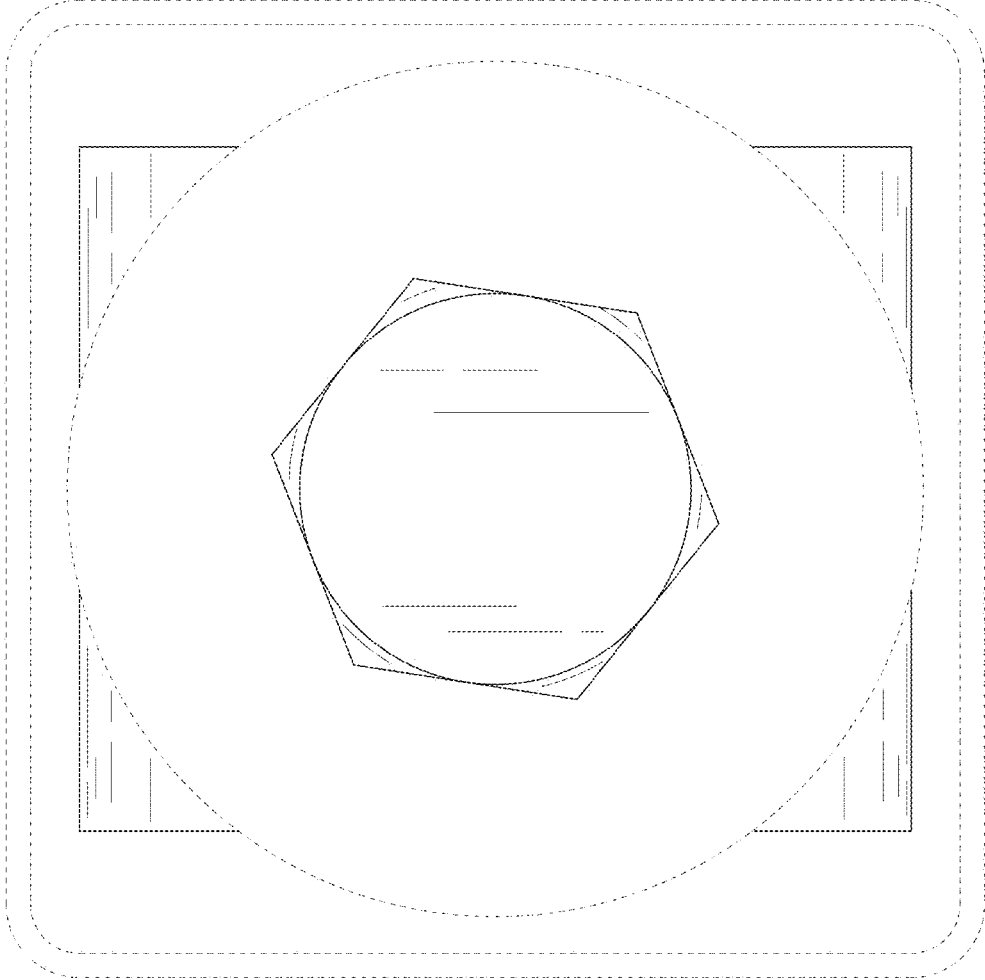


FIG. 7

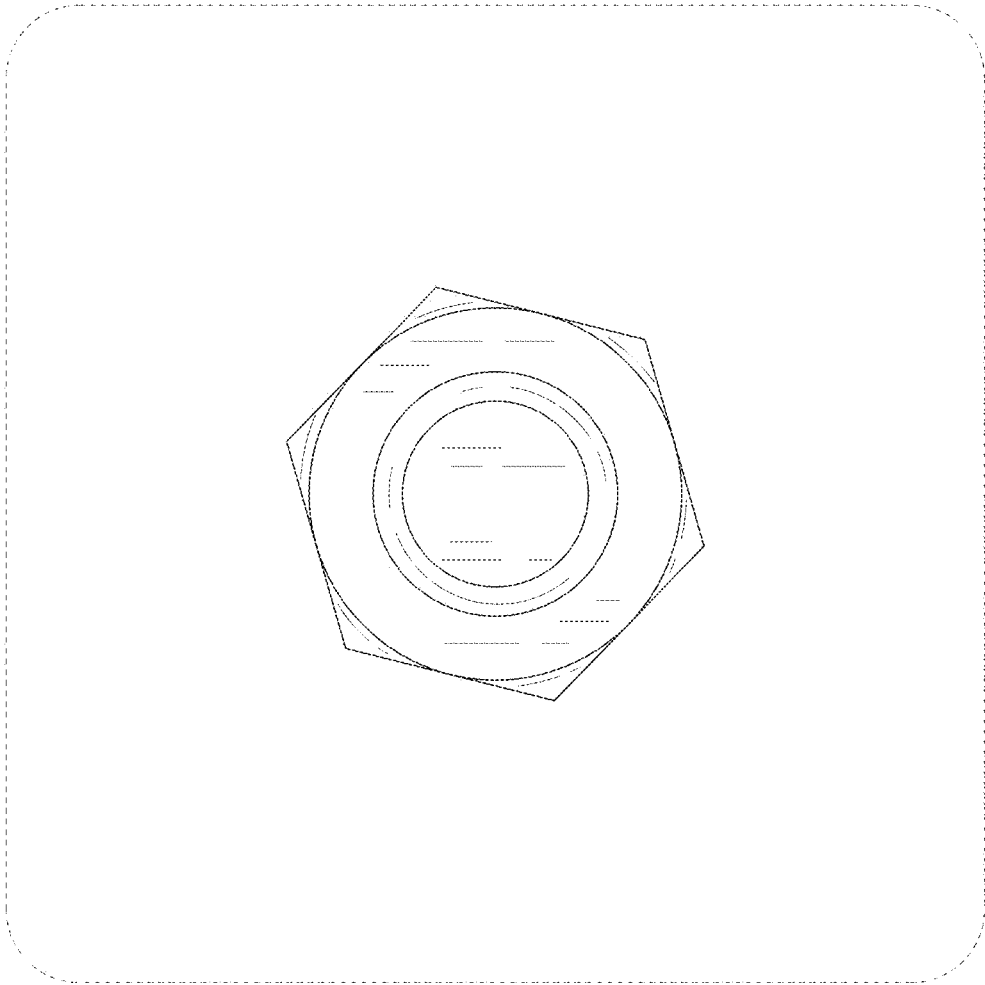


FIG. 8