



US00D835374S

(12) **United States Design Patent**  
**Yang et al.**

(10) **Patent No.:** **US D835,374 S**

(45) **Date of Patent:** **\*\* Dec. 4, 2018**

(54) **TRASH CAN**

(71) Applicant: **simplehuman, LLC**, Torrance, CA (US)

(72) Inventors: **Frank Yang**, Rancho Palos Verdes, CA (US); **Myk Lum**, Irvine, CA (US); **Adam Wade**, Rancho Santa Margarita, CA (US)

(73) Assignee: **simplehuman, LLC**, Torrance, CA (US)

(\*\*) Term: **15 Years**

(21) Appl. No.: **29/610,345**

(22) Filed: **Jul. 11, 2017**

**Related U.S. Application Data**

(63) Continuation of application No. 29/557,088, filed on Mar. 4, 2016, now Pat. No. Des. 793,642.

(51) **LOC (11) Cl.** ..... **09-09**

(52) **U.S. Cl.**  
USPC ..... **D34/7**

(58) **Field of Classification Search**  
USPC .... D34/1-11; 220/908, 908.1, 262-265, 200  
CPC ..... B65F 1/163; B65F 1/062; B65F 1/1623;  
B65F 1/1646; B65B 43/38  
See application file for complete search history.

(56) **References Cited**

**U.S. PATENT DOCUMENTS**

830,182 A	9/1906	Skov
1,426,211 A	8/1922	Pausin
1,461,253 A	7/1923	Owen
1,754,802 A	4/1930	Raster
1,820,555 A	8/1931	Buschman
1,891,651 A	12/1932	Padelford et al.
1,922,729 A	8/1933	Geibel
1,980,938 A	11/1934	Geibel

2,308,326 A	1/1943	Calcagno
D148,825 S	2/1948	Snider
2,457,274 A	12/1948	Rifken
2,759,625 A	8/1956	Ritter
2,796,309 A	6/1957	Taylor
2,888,307 A	5/1959	Graves et al.
2,946,474 A	7/1960	Knapp

(Continued)

**FOREIGN PATENT DOCUMENTS**

AU	622536	4/1992
CA	2519295	3/2007

(Continued)

**OTHER PUBLICATIONS**

U.S. Appl. No. 09/746,574, now U.S. Pat. No. 6,626,316.  
(Continued)

*Primary Examiner* — Cynthia Ramirez

(74) *Attorney, Agent, or Firm* — Knobbe, Martens, Olson & Bear, LLP

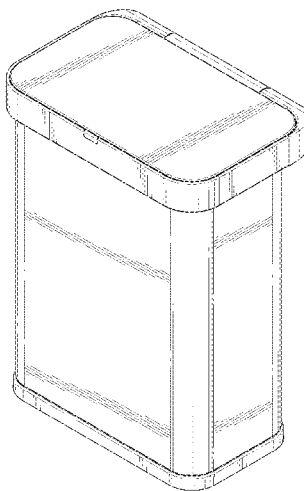
(57) **CLAIM**

The ornamental design for a trash can, as shown and described.

**DESCRIPTION**

FIG. 1 is a top, front, left-side perspective view of a trash can of our design;  
FIG. 2 is a top, rear, left-side perspective view thereof;  
FIG. 3 is a front elevation view thereof;  
FIG. 4 is a rear elevation view thereof;  
FIG. 5 is a right-side elevation view thereof;  
FIG. 6 is a left-side elevation view thereof;  
FIG. 7 is a top plan view thereof; and,  
FIG. 8 is a bottom plan view thereof.  
The broken lines in the figures are to show portions of the trash can and form no part of the claimed design.

**1 Claim, 7 Drawing Sheets**



(56)

## References Cited

## U.S. PATENT DOCUMENTS

3,008,604	A	11/1961	Garner	5,111,958	A	5/1992	Witthoeff
3,023,922	A	3/1962	Arrington et al.	D327,760	S	7/1992	Donnelly
3,137,408	A	6/1964	Taylor	D329,929	S	9/1992	Knoedler et al.
3,300,082	A	1/1967	Patterson	5,147,055	A	9/1992	Samson et al.
3,392,825	A	7/1968	Gale et al.	5,156,290	A	10/1992	Rodrigues
3,451,453	A	6/1969	Heck	D331,097	S	11/1992	Sieren
3,654,534	A	4/1972	Fischer	5,170,904	A	12/1992	Neuhaus
3,800,503	A	4/1974	Maki	5,174,462	A	12/1992	Hames
3,820,200	A	6/1974	Myers	D332,852	S	1/1993	Delmerico
3,825,150	A	7/1974	Taylor	D335,562	S	5/1993	Evans
3,825,215	A	7/1974	Borglum	5,213,272	A	5/1993	Gallagher et al.
3,886,425	A	5/1975	Weiss	5,222,704	A	6/1993	Light
3,888,406	A	6/1975	Nippes	D337,181	S	7/1993	Warman
3,891,115	A	6/1975	Ono	5,226,558	A	7/1993	Whitney et al.
4,014,457	A	3/1977	Hodge	5,230,525	A	7/1993	Delmerico et al.
4,027,774	A	6/1977	Cote	5,242,074	A	9/1993	Conaway et al.
4,081,105	A	3/1978	Dagonnet et al.	D340,333	S	10/1993	Duran et al.
4,189,808	A	2/1980	Brown	5,249,693	A	10/1993	Gillispie et al.
4,200,197	A	4/1980	Meyer et al.	5,261,553	A	11/1993	Mueller et al.
4,217,616	A	8/1980	Jessup	5,265,511	A	11/1993	Itzov
4,303,174	A	12/1981	Anderson	5,295,607	A	3/1994	Chang
4,320,851	A	3/1982	Montoya	5,305,916	A	4/1994	Suzuki et al.
4,349,123	A	9/1982	Yang	5,314,151	A	5/1994	Carter-Mann
4,357,740	A	11/1982	Brown	5,322,179	A	6/1994	Ting
4,416,197	A	11/1983	Kehl	5,329,212	A	7/1994	Feigleson
4,417,669	A	11/1983	Knowles et al.	5,348,222	A	9/1994	Patey
4,457,483	A	7/1984	Gagne	5,353,950	A	10/1994	Taylor et al.
4,535,911	A	8/1985	Goulter	5,372,272	A	12/1994	Jennings
4,570,304	A	2/1986	Montreuil et al.	5,381,588	A	1/1995	Nelson
4,576,310	A	3/1986	Isgar et al.	5,385,258	A	1/1995	Sutherlin
D284,320	S	6/1986	Kubic et al.	5,390,818	A	2/1995	LaBuda
4,609,117	A	9/1986	Pamment	5,404,621	A	4/1995	Heinke
4,630,332	A	12/1986	Bisbing	5,407,089	A	4/1995	Bird et al.
4,630,752	A	12/1986	Demars	5,419,452	A	5/1995	Mueller et al.
4,664,347	A	5/1987	Brown et al.	5,471,708	A	12/1995	Lynch
4,697,312	A	10/1987	Freyer	5,474,201	A	12/1995	Liu
4,711,161	A	12/1987	Swin et al.	5,501,358	A	3/1996	Hobday
4,729,490	A	3/1988	Ziegenbein	5,520,067	A	5/1996	Gaba
4,753,367	A	6/1988	Miller et al.	5,520,303	A	5/1996	Bernstein et al.
4,763,808	A	8/1988	Guhl et al.	5,531,348	A	7/1996	Baker et al.
4,765,548	A	8/1988	Sing	5,535,913	A	7/1996	Asbach et al.
4,765,579	A	8/1988	Robbins, III et al.	5,558,254	A	9/1996	Anderson et al.
4,785,964	A	11/1988	Miller et al.	5,560,283	A	10/1996	Hannig
4,792,039	A	12/1988	Dayton	5,584,412	A	12/1996	Wang
4,794,973	A	1/1989	Perisic	D377,554	S	1/1997	Adriaansen
4,813,592	A	3/1989	Stolzman	5,611,507	A	3/1997	Smith
4,823,979	A	4/1989	Clark, Jr.	5,628,424	A	5/1997	Gola
4,834,260	A	5/1989	Auten	5,632,401	A	5/1997	Hurd
4,863,053	A	9/1989	Oberg	5,636,416	A	6/1997	Anderson
4,867,339	A	9/1989	Hahn	5,636,761	A	6/1997	Diamond et al.
4,869,391	A	9/1989	Farrington	5,644,111	A	7/1997	Cerny et al.
4,884,717	A	12/1989	Bussard et al.	5,645,186	A	7/1997	Powers et al.
4,888,532	A	12/1989	Josson	5,650,680	A	7/1997	Chula
4,892,223	A	1/1990	DeMent	D383,277	S	9/1997	Peters
4,892,224	A	1/1990	Graham	5,662,235	A	9/1997	Nieto
4,913,308	A	4/1990	Culbertson	5,671,847	A	9/1997	Pedersen et al.
4,915,347	A	4/1990	Iqbal et al.	5,690,247	A	11/1997	Boover
4,918,568	A	4/1990	Stone et al.	5,695,088	A	12/1997	Kasbohm
D308,272	S	5/1990	Koepsell	5,699,929	A	12/1997	Ouno
4,923,087	A	5/1990	Burrows	D388,922	S	1/1998	Peters
4,944,419	A	7/1990	Chandler	D389,631	S	1/1998	Peters
4,948,004	A	8/1990	Chich	5,704,511	A	1/1998	Kellams
4,964,523	A	10/1990	Bieltvedt et al.	5,724,837	A	3/1998	Shin
4,972,966	A	11/1990	Craft, Jr.	5,730,312	A	3/1998	Hung
4,996,467	A	2/1991	Day	5,732,845	A	3/1998	Armaly, Jr.
5,031,793	A	7/1991	Chen et al.	5,735,495	A	4/1998	Kubota
5,048,903	A	9/1991	Loblein	5,738,239	A	4/1998	Triglia
5,054,724	A	10/1991	Hutcheson	5,770,935	A	6/1998	Smith et al.
5,065,272	A	11/1991	Owen et al.	5,799,909	A	9/1998	Ziegler
5,065,891	A	11/1991	Casey	5,816,431	A	10/1998	Giannopoulos
5,076,462	A	12/1991	Perrone	5,816,640	A	10/1998	Nishimura
D323,573	S	1/1992	Schneider	D401,383	S	11/1998	Gish
5,090,585	A	2/1992	Power	D401,719	S	11/1998	Van Leeuwen et al.
5,090,785	A	2/1992	Stamp	5,873,643	A	2/1999	Burgess, Jr. et al.
5,100,087	A	3/1992	Ashby	5,881,896	A	3/1999	Presnell et al.
				5,881,901	A	3/1999	Hampton
				5,884,237	A	3/1999	Kanki et al.
				5,887,748	A	3/1999	Nguyen
				D412,552	S	8/1999	Burrows

(56)

## References Cited

## U.S. PATENT DOCUMENTS

5,961,105	A	10/1999	Ehrnsberger et al.	D535,799	S	1/2007	Epps
5,967,392	A	10/1999	Niemi et al.	D535,800	S	1/2007	Yang et al.
5,987,708	A	11/1999	Newton	7,163,591	B2	1/2007	Kim et al.
6,000,569	A	12/1999	Liu	7,168,591	B1	1/2007	Miller
6,010,024	A	1/2000	Wang	D537,223	S	2/2007	Lin
6,024,238	A	2/2000	Jaros	D537,599	S	2/2007	Lin
6,036,050	A	3/2000	Ruane	D537,601	S	2/2007	Lin
6,102,239	A	8/2000	Wien	D537,999	S	3/2007	Lin
6,105,859	A	8/2000	Stafford	D538,995	S	3/2007	Lin
6,123,215	A	9/2000	Windle	D539,498	S	3/2007	Yang et al.
D431,700	S	10/2000	Roudebush	D539,499	S	3/2007	Yang et al.
6,126,031	A	10/2000	Reason	D540,001	S	4/2007	Zimmerman
6,129,233	A	10/2000	Schiller	D542,001	S	5/2007	Yang et al.
6,131,861	A	10/2000	Fortier, Jr. et al.	D542,995	S	5/2007	Lin
D435,951	S	1/2001	Yang et al.	D543,673	S	5/2007	Yang et al.
6,209,744	B1	4/2001	Gill	D544,170	S	6/2007	Lin
6,211,637	B1	4/2001	Studer	D544,171	S	6/2007	Lin
6,234,339	B1	5/2001	Thomas	D544,671	S	6/2007	Saunders et al.
6,250,492	B1	6/2001	Verbeek	D545,024	S	6/2007	Liao
D445,980	S	7/2001	Tjugum	7,225,943	B2	6/2007	Yang et al.
6,286,706	B1	9/2001	Tucker	D547,020	S	7/2007	Chen
6,328,320	B1	12/2001	Walski et al.	7,243,811	B1	7/2007	Ramsey
6,345,725	B1	2/2002	Lin	D550,918	S	9/2007	Wang et al.
6,364,147	B1	4/2002	Meinzinger et al.	D552,319	S	10/2007	Gusdorf
6,386,386	B1	5/2002	George	D552,321	S	10/2007	Yang et al.
6,390,321	B1	5/2002	Wang	D552,823	S	10/2007	Yang et al.
6,401,958	B1	6/2002	Foss et al.	D552,824	S	10/2007	Zimmerman
6,519,130	B1	2/2003	Breslow	D552,825	S	10/2007	Yang et al.
6,557,716	B1	5/2003	Chan	D555,320	S	11/2007	Yang et al.
D476,456	S	6/2003	Englert et al.	D559,494	S	1/2008	Yang et al.
6,596,983	B2	7/2003	Brent	D559,495	S	1/2008	Yang et al.
6,626,316	B2	9/2003	Yang	D562,522	S	2/2008	Daams
6,626,317	B2	9/2003	Pfieffer et al.	7,328,842	B2	2/2008	Wagner et al.
6,632,064	B1	10/2003	Walker et al.	D564,169	S	3/2008	Wang
D481,846	S	11/2003	Lin	D564,723	S	3/2008	Yang et al.
D482,169	S	11/2003	Lin	D566,367	S	4/2008	Lin
6,659,407	B2	12/2003	Asaro	D566,369	S	4/2008	Shek
6,681,950	B2	1/2004	Miller, Jr. et al.	D566,923	S	4/2008	Lin
D488,604	S	4/2004	Yang et al.	D567,468	S	4/2008	Yang et al.
D488,903	S	4/2004	Yang et al.	D568,572	S	5/2008	Yang et al.
D489,503	S	5/2004	Lin	D569,720	S	5/2008	Lablaine
D489,857	S	5/2004	Yang et al.	7,374,060	B2	5/2008	Yang et al.
D490,583	S	5/2004	Yang et al.	D571,520	S	6/2008	Lin
D490,954	S	6/2004	Brand	7,395,990	B1	7/2008	Stevens
D491,706	S	6/2004	Yang et al.	7,398,913	B2	7/2008	McClure
6,758,366	B2	7/2004	Bourgund et al.	7,404,499	B1	7/2008	Ramsey
D493,930	S	8/2004	Wang	D574,569	S	8/2008	Yang et al.
D494,723	S	8/2004	Lin	D576,371	S	9/2008	Zimmerman
6,812,655	B1	11/2004	Wang et al.	D578,265	S	10/2008	Presnell
6,814,249	B2	11/2004	Lin	D578,266	S	10/2008	Yang et al.
D499,450	S	12/2004	Goodman et al.	D578,268	S	10/2008	Yang et al.
6,837,393	B1	1/2005	Kuo	D578,722	S	10/2008	Yang et al.
6,857,538	B2	2/2005	Lin	7,438,199	B1	10/2008	Tidrick
6,859,005	B2	2/2005	Boliver	D580,120	S	11/2008	Lin
D503,021	S	3/2005	Yang et al.	D580,613	S	11/2008	Yang et al.
6,866,826	B2	3/2005	Moore et al.	D580,615	S	11/2008	Yang et al.
6,883,676	B2	4/2005	Lin	D581,622	S	11/2008	Presnell et al.
D507,090	S	7/2005	Yang et al.	D584,470	S	1/2009	Bizzell et al.
6,920,994	B2	7/2005	Lin	D585,171	S	1/2009	Bizzell et al.
6,974,948	B1	12/2005	Brent	D585,618	S	1/2009	Yang et al.
D513,445	S	1/2006	Lin	D586,070	S	2/2009	Lin
6,981,606	B2	1/2006	Yang et al.	7,494,021	B2	2/2009	Yang et al.
D517,764	S	3/2006	Wang	D587,874	S	3/2009	Lin
D517,767	S	3/2006	Yang et al.	D593,271	S	5/2009	Yang et al.
D518,266	S	3/2006	Yang et al.	7,530,578	B2	5/2009	Niemeyer et al.
7,017,773	B2	3/2006	Gruber et al.	7,540,396	B2	6/2009	Yang et al.
7,044,323	B2	5/2006	Yang	7,543,716	B2	6/2009	Lin
D525,756	S	7/2006	Yang et al.	7,559,433	B2	7/2009	Yang et al.
7,073,677	B2	7/2006	Richardson et al.	D599,074	S	8/2009	Bizzell et al.
7,077,283	B2	7/2006	Yang et al.	D603,119	S	10/2009	Yang et al.
7,080,750	B2	7/2006	Wein et al.	7,607,552	B2	10/2009	Efstathiou
7,086,550	B2	8/2006	Yang et al.	D604,472	S	11/2009	Blanks et al.
D528,726	S	9/2006	Lin	7,614,519	B2	11/2009	Krauth et al.
7,121,421	B2	10/2006	Yang et al.	7,621,420	B2	11/2009	Bandoh et al.
D531,499	S	11/2006	Zaidman	7,656,109	B2	2/2010	Yang et al.
				D611,216	S	3/2010	Yang et al.
				D611,217	S	3/2010	Bizzell et al.
				D611,671	S	3/2010	Yang et al.
				7,694,838	B2	4/2010	Yang et al.

(56)

## References Cited

## U.S. PATENT DOCUMENTS

7,703,622	B1	4/2010	Bynoe	9,586,755	B1	3/2017	Yang et al.
D615,270	S	5/2010	Yang et al.	D787,828	S	5/2017	Thoma et al.
D615,722	S	5/2010	Yang et al.	D790,145	S	6/2017	Chen
7,712,285	B2	5/2010	Stravitz et al.	D793,642	S	8/2017	Yang et al.
7,741,801	B2	6/2010	Fukuizumi	D798,016	S	9/2017	Yang et al.
7,748,556	B2	7/2010	Yang et al.	D804,133	S	9/2017	Yang et al.
7,781,995	B2	8/2010	Yang et al.	9,751,692	B2	9/2017	Yang et al.
D623,817	S	9/2010	Yang et al.	9,790,025	B2	10/2017	Yang et al.
D625,068	S	10/2010	Shannon	9,856,080	B2	1/2018	Yang et al.
7,806,285	B2	10/2010	Yang et al.	2001/0002690	A1	6/2001	Rosky
D627,533	S	11/2010	Yang et al.	2001/0020619	A1	9/2001	Pfeifer et al.
D627,944	S	11/2010	Wang et al.	2001/0045512	A1	11/2001	Brent
D629,172	S	12/2010	Liao	2002/0066736	A1	6/2002	Pyles
D630,404	S	1/2011	Yang et al.	2002/0092853	A1	7/2002	Wang
D631,221	S	1/2011	Yang et al.	2002/0096523	A1	7/2002	Pyles
D632,864	S	2/2011	Yang et al.	2002/0096524	A1	7/2002	Hardesty
D634,911	S	3/2011	Yang et al.	2002/0104266	A1	8/2002	Ranaudo
D635,319	S	3/2011	Meyerhoffer	2002/0116924	A1	8/2002	Winkelmann et al.
7,896,187	B2	3/2011	Haibel	2003/0089719	A1	5/2003	Berger
7,922,024	B2	4/2011	Yang et al.	2003/0102316	A1	6/2003	Forest
7,950,543	B2	5/2011	Yang et al.	2003/0201265	A1	10/2003	Lin
D644,390	S	8/2011	Smeets et al.	2003/0205979	A1	11/2003	Papari et al.
7,992,742	B1	8/2011	Kim	2003/0230576	A1	12/2003	Lin
8,006,857	B2	8/2011	Lin	2004/0016756	A1	1/2004	Lin
D644,806	S	9/2011	Yang et al.	2004/0134924	A1	7/2004	Hansen et al.
D644,807	S	9/2011	Yang et al.	2004/0140782	A1	7/2004	Okabe et al.
D649,728	S	11/2011	Campbell	2004/0164077	A1	8/2004	Kuo
8,074,833	B2	12/2011	Yang et al.	2004/0174268	A1	9/2004	Scott et al.
8,096,445	B2	1/2012	Yang et al.	2004/0175303	A1	9/2004	Lin
D655,061	S	2/2012	Scaturro	2004/0199401	A1	10/2004	Wagner
8,136,688	B2	3/2012	Lee et al.	2004/0200938	A1	10/2004	Forlivio
D657,108	S	4/2012	Yang et al.	2004/0206758	A1	10/2004	Lin
D657,109	S	4/2012	Liao	2004/0206760	A1	10/2004	Gagnebin
8,297,470	B2	10/2012	Yang et al.	2004/0251746	A1	12/2004	Ichimaru et al.
8,317,055	B2	11/2012	Zawrotny et al.	2005/0017006	A1	1/2005	Kuo
D672,520	S	12/2012	Yang et al.	2005/0017010	A1	1/2005	Siegel et al.
D673,750	S	1/2013	Quan	2005/0029281	A1	2/2005	Westermann et al.
D675,802	S	2/2013	Yang et al.	2005/0129803	A1	6/2005	Umeda et al.
D675,803	S	2/2013	Yang et al.	2005/0258177	A1	11/2005	Woodson
8,418,869	B2	4/2013	Yang et al.	2005/0258794	A1	11/2005	Fukuizumi
D689,255	S	9/2013	Sun Ting Kung et al.	2006/0027579	A1	2/2006	Yang et al.
8,567,630	B2	10/2013	Yang et al.	2006/0103086	A1	5/2006	Niemeyer et al.
8,569,980	B2	10/2013	Yang et al.	2006/0138149	A1	6/2006	Tracy
8,575,537	B2	11/2013	Yao et al.	2006/0163257	A1	7/2006	Golbert
8,672,171	B2	3/2014	Wynn et al.	2006/0175336	A1	8/2006	Wang
8,678,219	B1	3/2014	Wang et al.	2006/0186121	A1	8/2006	Yang et al.
8,686,676	B2	4/2014	Yang et al.	2006/0196874	A1	9/2006	Yang
D704,406	S	5/2014	Kern	2006/0237641	A1	10/2006	Moeller et al.
8,716,969	B2	5/2014	Yang et al.	2006/0249510	A1	11/2006	Lin
8,720,728	B2	5/2014	Yang et al.	2006/0278643	A1	12/2006	Chiou
D709,662	S	7/2014	Yang et al.	2007/0012699	A1	1/2007	Yang et al.
8,766,582	B2	7/2014	Yang et al.	2007/0034334	A1	2/2007	Ramsey et al.
8,807,378	B2	8/2014	Kaberna	2007/0045326	A1	3/2007	Tramontina et al.
8,807,379	B1	8/2014	Hammond	2007/0090112	A1	4/2007	Kalman et al.
D714,510	S	9/2014	Yang et al.	2007/0114847	A1	5/2007	Ichimaru et al.
D715,575	S	10/2014	Williams et al.	2007/0181579	A1	8/2007	Kuo et al.
D716,015	S	10/2014	van de Leest	2007/0209846	A1	9/2007	Wilson
8,851,316	B2	10/2014	Barrett et al.	2007/0215622	A1	9/2007	Perez
8,872,459	B2	10/2014	Yang et al.	2007/0241109	A1	10/2007	Lin
D725,860	S	3/2015	Spivey et al.	2007/0266637	A1	11/2007	McGowan
D725,861	S	3/2015	Yang et al.	2007/0272691	A1	11/2007	Wang et al.
D730,008	S	5/2015	Yang et al.	2007/0289972	A1	12/2007	Wynn et al.
9,051,093	B2	6/2015	Yang et al.	2008/0011754	A1	1/2008	Ramsey
D755,461	S	5/2016	Wall	2008/0011910	A1	1/2008	Ramsey
D759,934	S	6/2016	Yang et al.	2008/0041863	A1	2/2008	Forest
D762,037	S	7/2016	Chen	2008/0083756	A1	4/2008	Daniels
D765,937	S	9/2016	Chen	2008/0083757	A1	4/2008	Parker et al.
D766,998	S	9/2016	Kao et al.	2008/0099274	A1	5/2008	Seel
9,434,538	B2	9/2016	Yang et al.	2008/0128428	A1	6/2008	Beckerman
D770,121	S	10/2016	Chen	2008/0164257	A1	7/2008	Boll et al.
D771,344	S	11/2016	Yang et al.	2008/0236275	A1	10/2008	Breed et al.
D773,145	S	11/2016	Yang et al.	2008/0257889	A1	10/2008	Kovacevich et al.
9,481,515	B2	11/2016	Yang et al.	2008/0257890	A1	10/2008	Kovacevich et al.
D773,769	S	12/2016	Chen	2008/0257891	A1	10/2008	Kovacevich et al.
9,573,759	B2	2/2017	Yang et al.	2008/0264948	A1	10/2008	Kovacevich et al.
				2008/0264950	A1	10/2008	Kovacevich et al.
				2008/0272119	A1	11/2008	Efstathiou
				2008/0272127	A1	11/2008	Kovacevich et al.
				2009/0071959	A1	3/2009	Cheung

(56)

References Cited

U.S. PATENT DOCUMENTS

2009/0084788 A1 4/2009 Yang et al.  
 2009/0136341 A1 5/2009 Kenyon  
 2009/0230131 A1 9/2009 McDuffie et al.  
 2009/0261105 A1 10/2009 Cunningham et al.  
 2009/0266836 A1 10/2009 Mobley  
 2010/0006572 A1 1/2010 Chiou  
 2010/0084235 A1 4/2010 Lu  
 2010/0096894 A1 4/2010 Fukai  
 2010/0122985 A1 5/2010 Peters et al.  
 2010/0147865 A1 6/2010 Yang et al.  
 2010/0170904 A1 7/2010 Kalman et al.  
 2010/0237074 A1 9/2010 Yang et al.  
 2010/0252557 A1 10/2010 Clements  
 2010/0294769 A1 11/2010 Lee et al.  
 2011/0017735 A1 1/2011 Wang et al.  
 2011/0049149 A1 3/2011 Shih  
 2011/0056952 A1 3/2011 Borowski et al.  
 2011/0139781 A1 6/2011 Jin et al.  
 2011/0272409 A1 11/2011 Kasbohm  
 2012/0145932 A1 6/2012 Yao et al.  
 2012/0234849 A1 9/2012 Hughes et al.  
 2012/0261423 A1 10/2012 Zawrotny et al.  
 2013/0097809 A1 4/2013 Weber et al.  
 2013/0098913 A1 4/2013 Yang et al.  
 2013/0105487 A1 5/2013 Baik  
 2013/0233857 A1 9/2013 Yang et al.  
 2013/0240592 A1 9/2013 Woodruff  
 2013/0248535 A1 9/2013 Wolfe et al.  
 2013/0300119 A1 11/2013 Anzalon et al.  
 2014/0183193 A1 7/2014 Hammond et al.  
 2014/0238989 A1 8/2014 Wang et al.  
 2014/0305946 A1 10/2014 Han  
 2014/0345453 A1 11/2014 Oh et al.  
 2015/0251849 A1 9/2015 Yang et al.  
 2015/0259139 A1 9/2015 Yang et al.  
 2015/0321841 A1 11/2015 Salas et al.  
 2017/0096299 A1 4/2017 Yang et al.  
 2017/0127669 A1 5/2017 Yang et al.  
 2017/0166167 A1 6/2017 Heller et al.  
 2017/0253429 A1 9/2017 Yang et al.

FOREIGN PATENT DOCUMENTS

CA 2948016 A1 \* 5/2017 ..... B65F 1/02  
 CN 201105898 Y 8/2008  
 CN 201512253 U 6/2010  
 DE 1610087 7/1950  
 DE 822376 11/1951  
 DE 1283741 7/1966  
 DE 8436939 3/1985  
 DE 9108341 10/1991  
 DE 4225936 2/1994  
 DE 19525885 3/1997  
 DE 19617823 11/1997  
 DE 19809331 5/1999  
 DE 29918687 3/2000  
 DE 19933180 1/2001  
 DE 10148997 4/2003  
 DE 20217561 3/2004  
 DE 10337806 A1 3/2005  
 EP 0582240 7/1993  
 EP 0903305 A1 3/1999  
 EP 0906876 A2 4/1999  
 EP 1094017 A1 4/2001  
 EP 1361176 A1 11/2003  
 EP 1136393 B1 4/2004  
 EP 1447342 A2 8/2004  
 EP 1600373 A2 11/2005  
 EP 1647503 A1 4/2006  
 EP 1686073 A1 8/2006  
 EP 1918223 A1 5/2008  
 EP 1700799 B1 8/2009  
 EP 2343250 A1 7/2011  
 EP 3042864 A1 7/2016  
 FR 2887152 12/2006

GB 191004921 6/1910  
 GB 2384418 7/2003  
 JP 02-152670 6/1990  
 JP H06-56011 8/1994  
 JP 06-272888 9/1994  
 JP 2004-106713 4/2004  
 JP 2004-231237 8/2004  
 JP D1300450 5/2007  
 JP D1300451 5/2007  
 JP D1322056 2/2008  
 JP D1398668 10/2010  
 KR 3003841370000 6/2005  
 KR 3004095430000 3/2006  
 KR 3004095430001 7/2006  
 NL 6908550 12/1970  
 TW D112733 9/2006  
 WO WO 92/02430 A1 2/1992  
 WO WO 96/33671 10/1996  
 WO WO 2005/080232 A1 9/2005  
 WO WO 2006/079263 A1 8/2006  
 WO WO 2007/139570 12/2007  
 WO WO 2009/114495 A1 9/2009  
 WO WO 2015/134902 A1 9/2015  
 WO WO 2015/138625 A1 9/2015  
 WO WO 2016/054109 A1 4/2016

OTHER PUBLICATIONS

U.S. Appl. No. 10/131,430, now U.S. Pat. No. 6,981,606.  
 U.S. Appl. No. 10/746,988, now U.S. Pat. No. 7,044,323.  
 U.S. Appl. No. 10/614,557, now U.S. Pat. No. 7,077,283.  
 U.S. Appl. No. 10/828,067, now U.S. Pat. No. 7,086,550.  
 U.S. Appl. No. 10/717,038, now U.S. Pat. No. 7,121,421.  
 U.S. Appl. No. 10/405,725, now U.S. Pat. No. 7,225,943.  
 U.S. Appl. No. 10/609,076, now U.S. Pat. No. 7,374,060.  
 U.S. Appl. No. 11/086,932, now U.S. Pat. No. 7,494,021.  
 U.S. Appl. No. 11/201,369, now U.S. Pat. No. 7,540,396.  
 U.S. Appl. No. 11/007,100, now U.S. Pat. No. 7,559,433.  
 U.S. Appl. No. 11/438,839, now U.S. Pat. No. 7,656,109.  
 U.S. Appl. No. 10/940,167, now U.S. Pat. No. 7,694,838.  
 U.S. Appl. No. 11/448,336, now U.S. Pat. No. 7,748,556.  
 U.S. Appl. No. 11/514,518, now U.S. Pat. No. 7,781,995.  
 U.S. Appl. No. 11/544,786, now U.S. Pat. No. 7,806,285.  
 U.S. Appl. No. 11/475,349, now U.S. Pat. No. 7,922,024.  
 U.S. Appl. No. 11/134,107, now U.S. Pat. No. 7,950,543.  
 U.S. Appl. No. 11/724,677, now U.S. Pat. No. 8,074,833.  
 U.S. Appl. No. 12/024,945, now U.S. Pat. No. 8,096,445.  
 U.S. Appl. No. 12/859,380, now U.S. Pat. No. 8,297,470.  
 U.S. Appl. No. 12/399,828, now U.S. Pat. No. 8,418,869.  
 U.S. Appl. No. 13/801,140, now U.S. Pat. No. 8,567,630.  
 U.S. Appl. No. 12/024,946, now U.S. Pat. No. 8,569,980.  
 U.S. Appl. No. 13/040,786, now U.S. Pat. No. 8,686,676.  
 U.S. Appl. No. 13/040,709, now U.S. Pat. No. 8,716,969.  
 U.S. Appl. No. 12/045,641, now U.S. Pat. No. 8,720,728.  
 U.S. Appl. No. 13/040,770, now U.S. Pat. No. 8,766,582.  
 U.S. Appl. No. 13/417,084, now U.S. Pat. No. 8,872,459.  
 U.S. Appl. No. 13/783,149, now U.S. Pat. No. 9,051,093.  
 U.S. Appl. No. 13/047,662, now U.S. Pat. No. 9,434,538.  
 U.S. Appl. No. 13/788,778, now U.S. Pat. No. 9,481,515.  
 U.S. Appl. No. 14/198,460, now U.S. Pat. No. 9,573,759.  
 U.S. Appl. No. 14/856,309, now U.S. Pat. No. 9,586,755.  
 U.S. Appl. No. 14/639,862, now U.S. Pat. No. 9,751,692.  
 U.S. Appl. No. 29/118,689, now U.S. Pat. No. D435,951.  
 U.S. Appl. No. 29/178,459, now U.S. Pat. No. D488,604.  
 U.S. Appl. No. 29/178,462, now U.S. Pat. No. D488,903.  
 U.S. Appl. No. 29/185,919, now U.S. Pat. No. D489,857.  
 U.S. Appl. No. 29/179,888, now U.S. Pat. No. D490,583.  
 U.S. Appl. No. 29/179,891, now U.S. Pat. No. D491,706.  
 U.S. Appl. No. 29/190,310, now U.S. Pat. No. D503,021.  
 U.S. Appl. No. 29/190,446, now U.S. Pat. No. D507,090.  
 U.S. Appl. No. 29/210,546, now U.S. Pat. No. D517,767.  
 U.S. Appl. No. 29/210,551, now U.S. Pat. No. D518,266.  
 U.S. Appl. No. 29/214,722, now U.S. Pat. No. D525,756.  
 U.S. Appl. No. 29/223,279, now U.S. Pat. No. D535,800.

(56)

## References Cited

## OTHER PUBLICATIONS

- U.S. Appl. No. 29/238,700, now U.S. Pat. No. D539,498.  
U.S. Appl. No. 29/245,127, now U.S. Pat. No. D539,499.  
U.S. Appl. No. 29/251,337, now U.S. Pat. No. D542,001.  
U.S. Appl. No. 29/256,668, now U.S. Pat. No. D543,673.  
U.S. Appl. No. 29/259,278, now U.S. Pat. No. D552,321.  
U.S. Appl. No. 29/263,255, now U.S. Pat. No. D552,823.  
U.S. Appl. No. 29/263,258, now U.S. Pat. No. D552,825.  
U.S. Appl. No. 29/270,134, now U.S. Pat. No. D555,320.  
U.S. Appl. No. 29/267,029, now U.S. Pat. No. D559,494.  
U.S. Appl. No. 29/271,251, now U.S. Pat. No. D559,495.  
U.S. Appl. No. 29/273,678, now U.S. Pat. No. D564,723.  
U.S. Appl. No. 29/286,231, now U.S. Pat. No. D567,468.  
U.S. Appl. No. 29/285,661, now U.S. Pat. No. D568,572.  
U.S. Appl. No. 29/293,145, now U.S. Pat. No. D574,569.  
U.S. Appl. No. 29/277,816, now U.S. Pat. No. D578,266.  
U.S. Appl. No. 29/293,682, now U.S. Pat. No. D578,268.  
U.S. Appl. No. 29/293,498, now U.S. Pat. No. D578,722.  
U.S. Appl. No. 29/294,944, now U.S. Pat. No. D580,613.  
U.S. Appl. No. 29/293,406, now U.S. Pat. No. D580,615.  
U.S. Appl. No. 29/291,382, now U.S. Pat. No. D585,618.  
U.S. Appl. No. 29/301,775, now U.S. Pat. No. D593,271.  
U.S. Appl. No. 29/313,029, now U.S. Pat. No. D603,119.  
U.S. Appl. No. 29/303,204, now U.S. Pat. No. D611,216.  
U.S. Appl. No. 29/308,501, now U.S. Pat. No. D611,671.  
U.S. Appl. No. 29/339,149, now U.S. Pat. No. D615,270.  
U.S. Appl. No. 29/334,146, now U.S. Pat. No. D615,722.  
U.S. Appl. No. 29/346,641, now U.S. Pat. No. D623,817.  
U.S. Appl. No. 29/307,694, now U.S. Pat. No. D627,533.  
U.S. Appl. No. 29/370,000, now U.S. Pat. No. D630,404.  
U.S. Appl. No. 29/357,444, now U.S. Pat. No. D631,221.  
U.S. Appl. No. 29/357,560, now U.S. Pat. No. D632,864.  
U.S. Appl. No. 29/357,571, now U.S. Pat. No. D634,911.  
U.S. Appl. No. 29/379,785, now U.S. Pat. No. D644,806.  
U.S. Appl. No. 29/379,789, now U.S. Pat. No. D644,807.  
U.S. Appl. No. 29/386,880, now U.S. Pat. No. D657,108.  
U.S. Appl. No. 29/411,482, now U.S. Pat. No. D672,520.  
U.S. Appl. No. 29/411,490, now U.S. Pat. No. D675,802.  
U.S. Appl. No. 29/411,491, now U.S. Pat. No. D675,803.  
U.S. Appl. No. 29/447,313, now U.S. Pat. No. D714,510.  
U.S. Appl. No. 29/484,903, now U.S. Pat. No. D725,861.  
U.S. Appl. No. 29/484,764, now U.S. Pat. No. D730,008.  
U.S. Appl. No. 29/519,551, now U.S. Pat. No. D759,934.  
U.S. Appl. No. 29/519,549, now U.S. Pat. No. D771,344.  
U.S. Appl. No. 29/563,650, now U.S. Pat. No. D773,145.  
U.S. Appl. No. 29/557,088, now U.S. Pat. No. D793,642.  
U.S. Appl. No. 29/557,032, now U.S. Pat. No. D798,016.  
U.S. Appl. No. 10/910,100, now U.S. Pat. No. 2006/0027579.  
U.S. Appl. No. 11/062,135, now U.S. Pat. No. 2006/0186121.  
U.S. Appl. No. 11/074,140, now U.S. Pat. No. 2006/0196874.  
U.S. Appl. No. 11/454,913, now U.S. Pat. No. 2007/0012699.  
U.S. Appl. No. 12/200,861, now U.S. Pat. No. 2009/0084788.  
U.S. Appl. No. 12/624,368, now U.S. Pat. No. 2010/0147865.  
U.S. Appl. No. 12/727,954, now U.S. Pat. No. 2010/0237074.  
U.S. Appl. No. 13/621,726, now U.S. Pat. No. 2013/0098913.  
U.S. Appl. No. 13/787,638, now U.S. Pat. No. 2013/0233857.  
U.S. Appl. No. 14/639,049, now U.S. Pat. No. 2015/0251849.  
U.S. Appl. No. 14/637,270, now U.S. Pat. No. 2015/0259139.  
U.S. Appl. No. 15/265,455, now U.S. Pat. No. 2017/0096299.  
U.S. Appl. No. 29/484,903.  
U.S. Appl. No. 29/548,018.  
U.S. Appl. No. 29/584,385.  
U.S. Appl. No. 15/448,245.  
U.S. Appl. No. 15/476,285.  
U.S. Appl. No. 29/583,627.  
U.S. Appl. No. 29/608,587.  
U.S. Appl. No. 29/484,903, filed Mar. 13, 2014, Yang et al.  
U.S. Appl. No. 29/548,018, filed Dec. 9, 2015, Yang et al.  
U.S. Appl. No. 29/584,385, filed Nov. 14, 2016, Yang et al.  
U.S. Appl. No. 15/448,245, filed Mar. 2, 2017, Yang et al.  
U.S. Appl. No. 15/476,285, filed Mar. 31, 2017, Yang et al.  
U.S. Appl. No. 29/583,627, filed Jun. 22, 2017, Yang et al.  
U.S. Appl. No. 29/608,587, filed Jun. 22, 2017, Yang et al.  
Trento Corner 23 Trash Can, Hailo product webpage, May 2008, [http://www.hailo.de/html/default.asp?site=12\\_71\\_107&lang=en](http://www.hailo.de/html/default.asp?site=12_71_107&lang=en).  
Simplehuman Liner Rim Dual Bucket Rectangular Recycler with Liner Pocket, Stainless Steel, 58 Liter / 15 Gallon, Item No. CW2025, www.Amazon.com, site visited Dec. 29, 2015.  
U.S. Appl. No. 15/809,218, filed Nov. 10, 2017, Yang et al.

\* cited by examiner

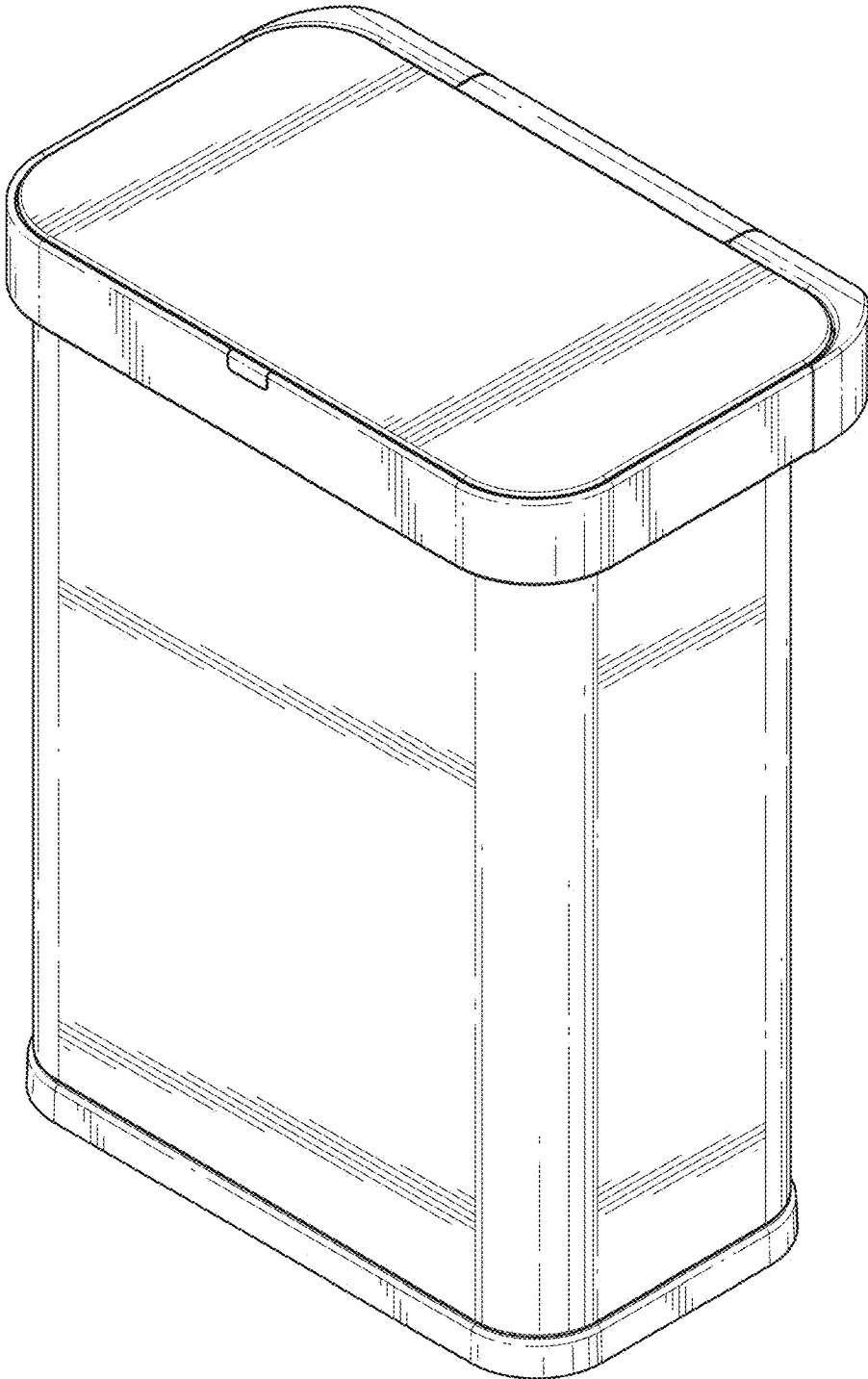


FIG. 1

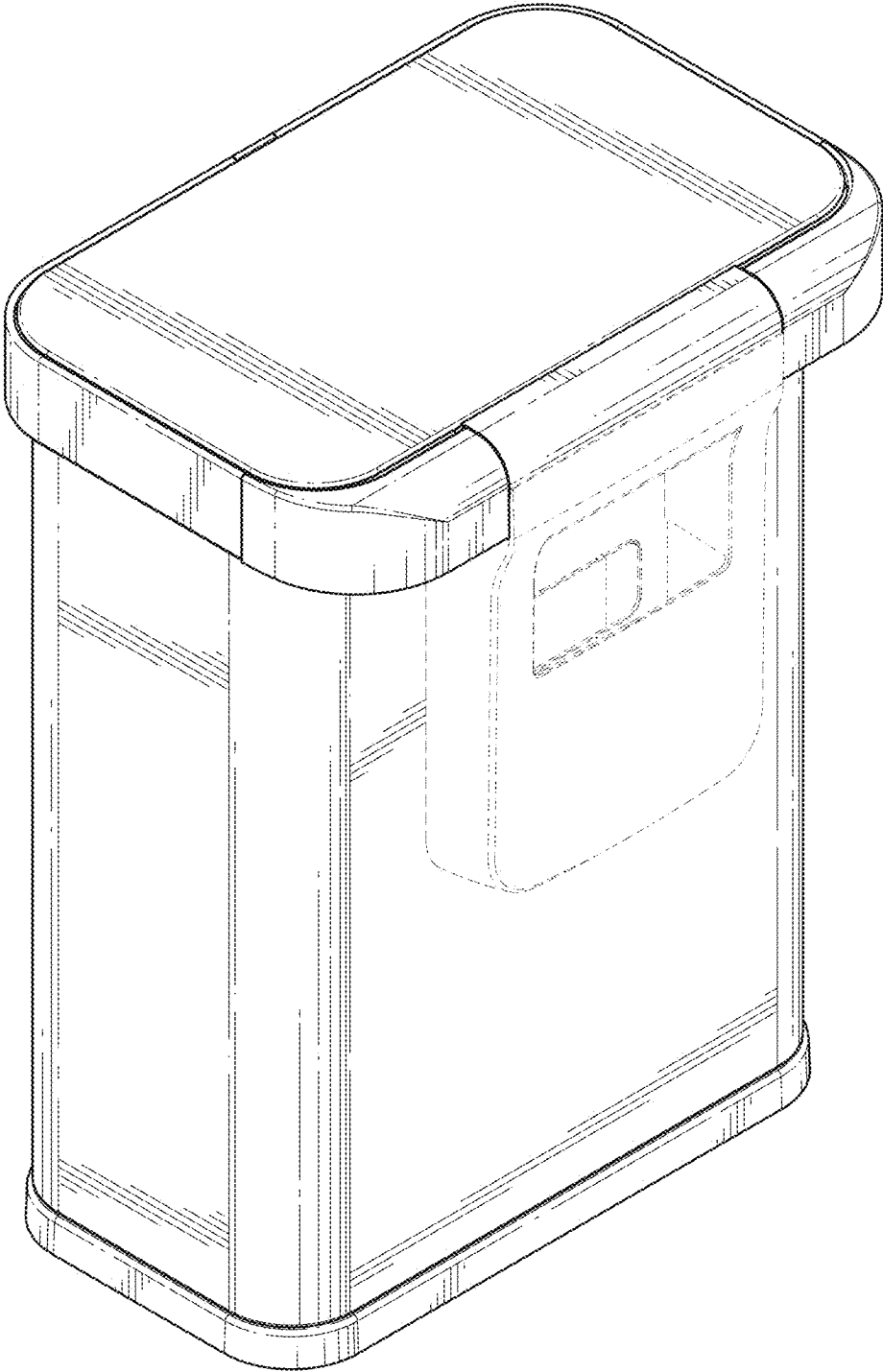


FIG. 2



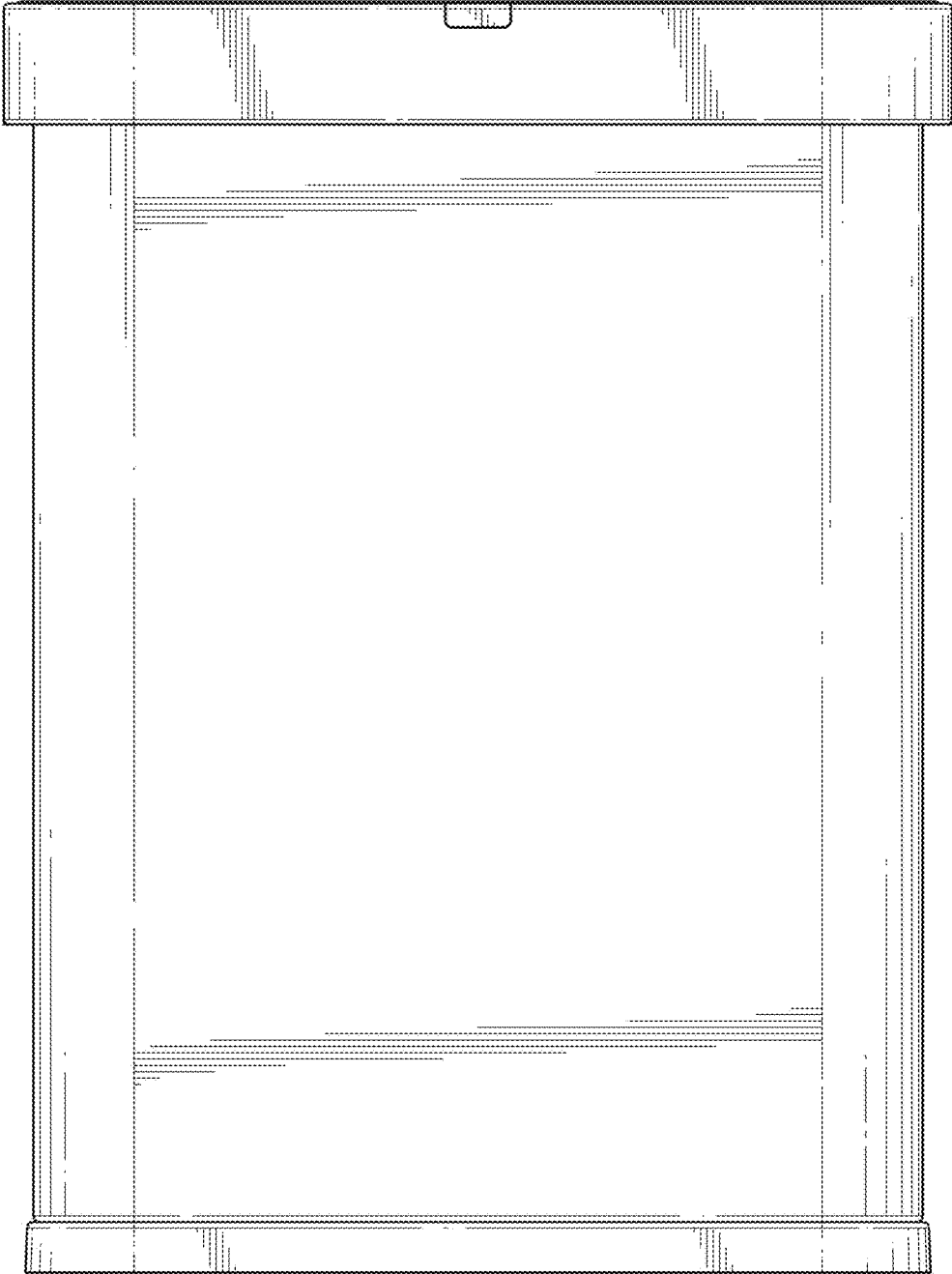


FIG. 3

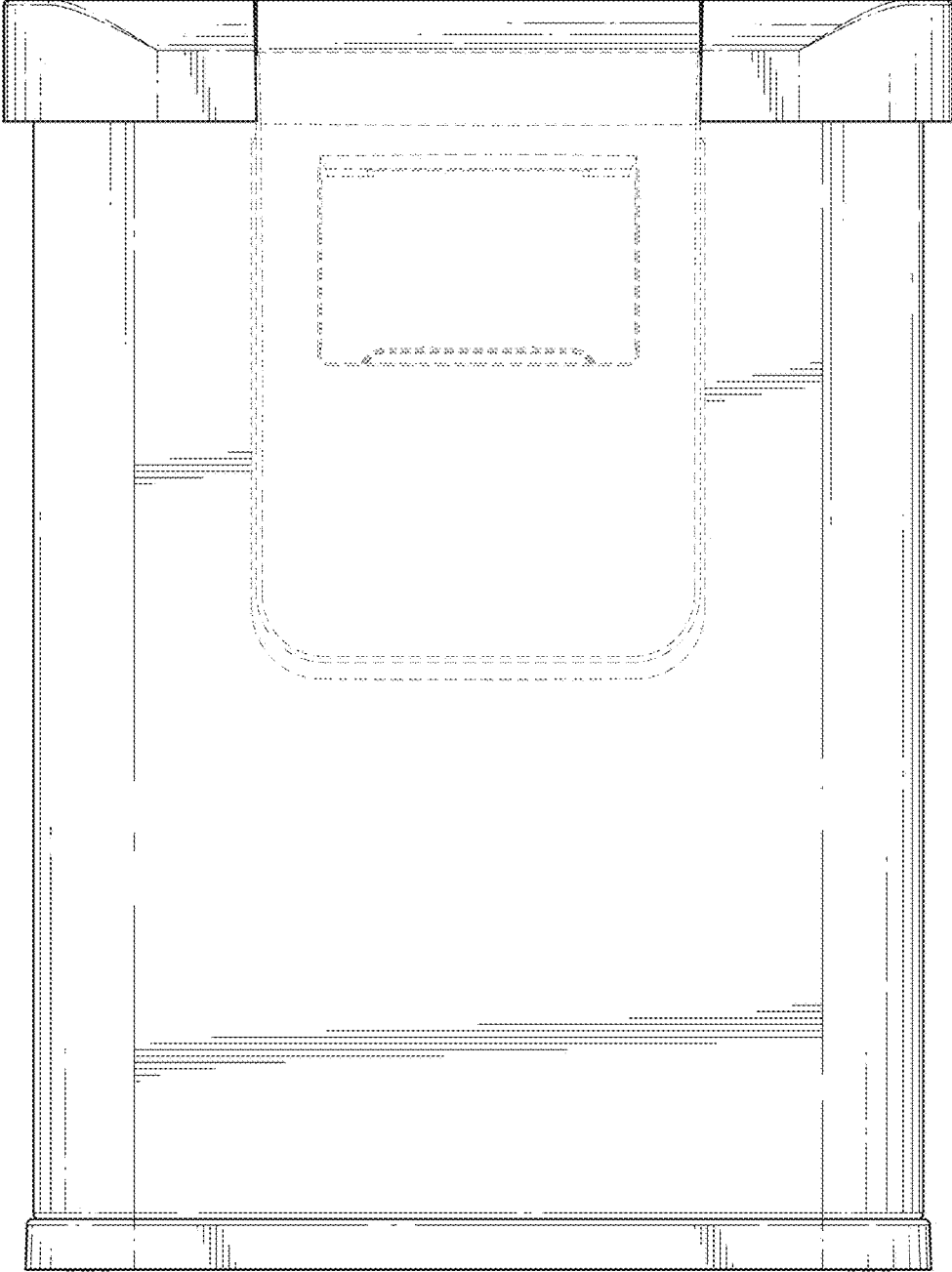


FIG. 4

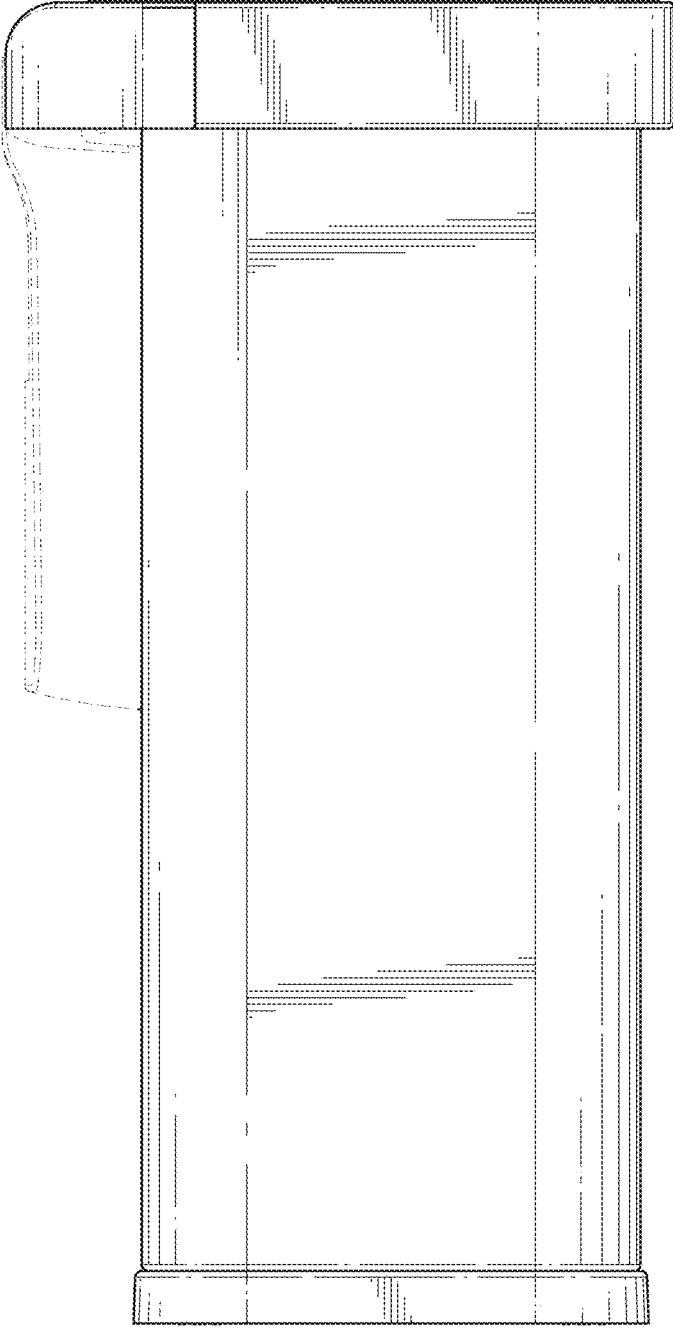


FIG. 5

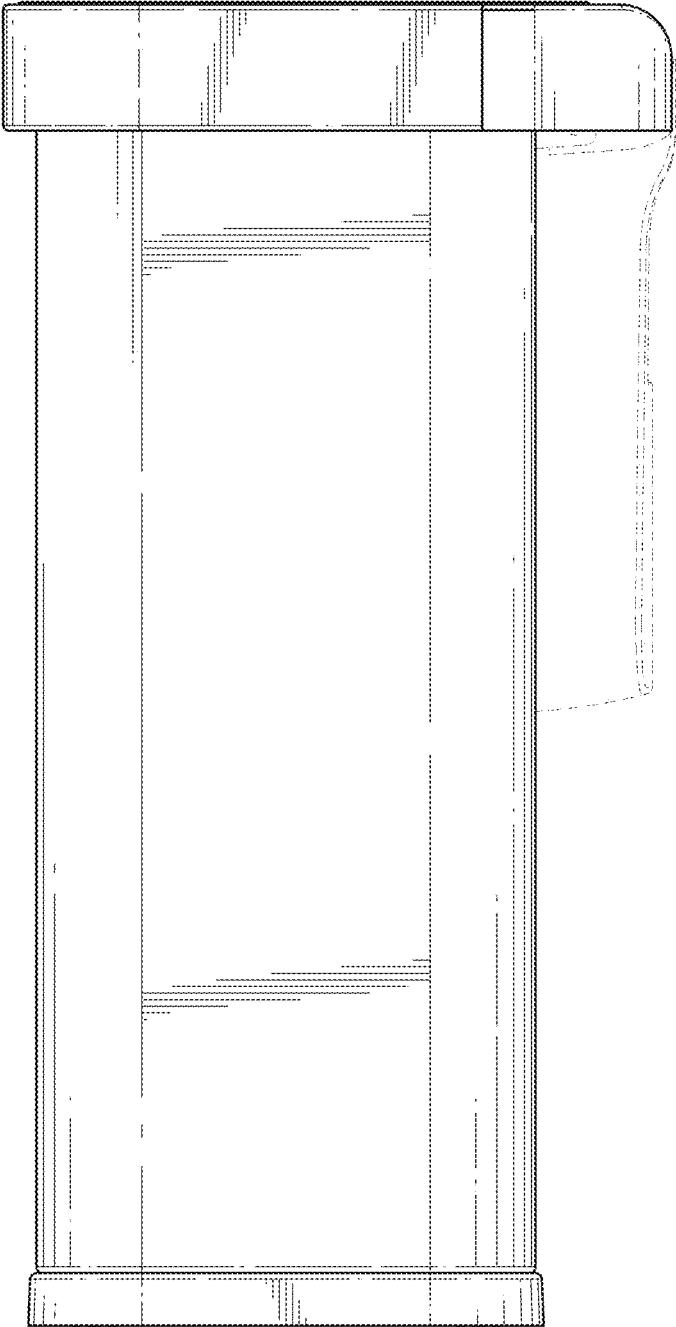


FIG. 6

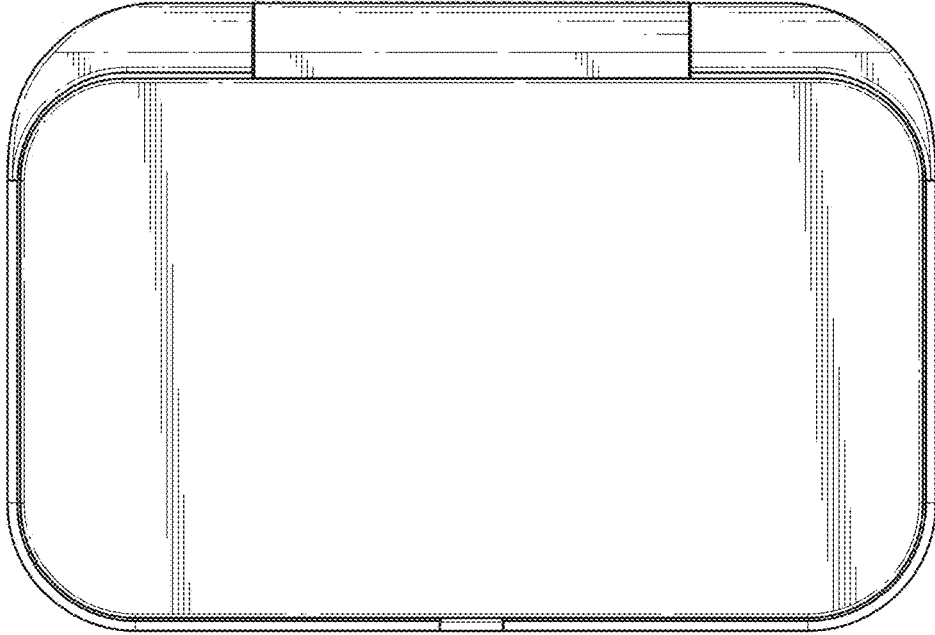


FIG. 7

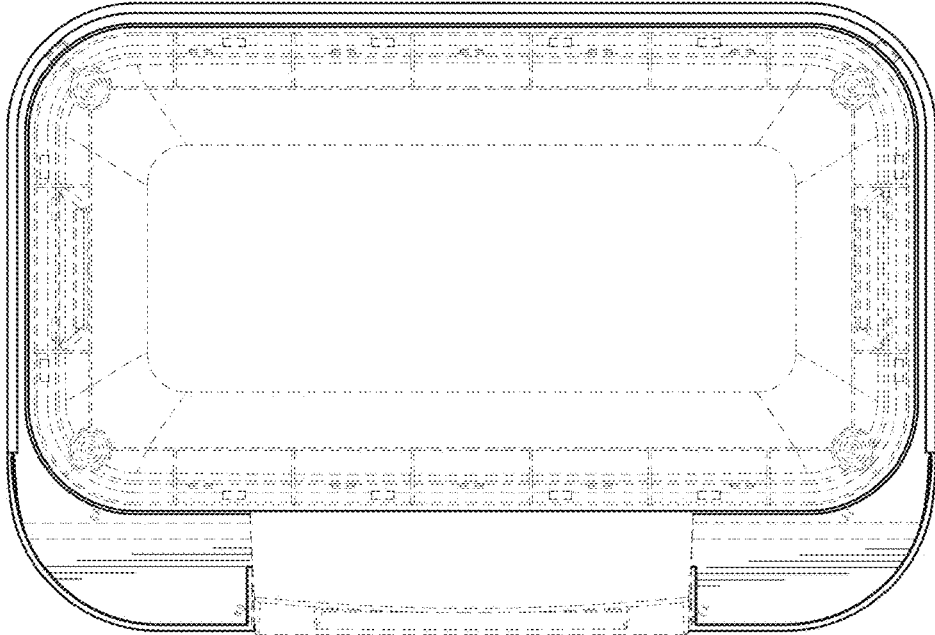


FIG. 8