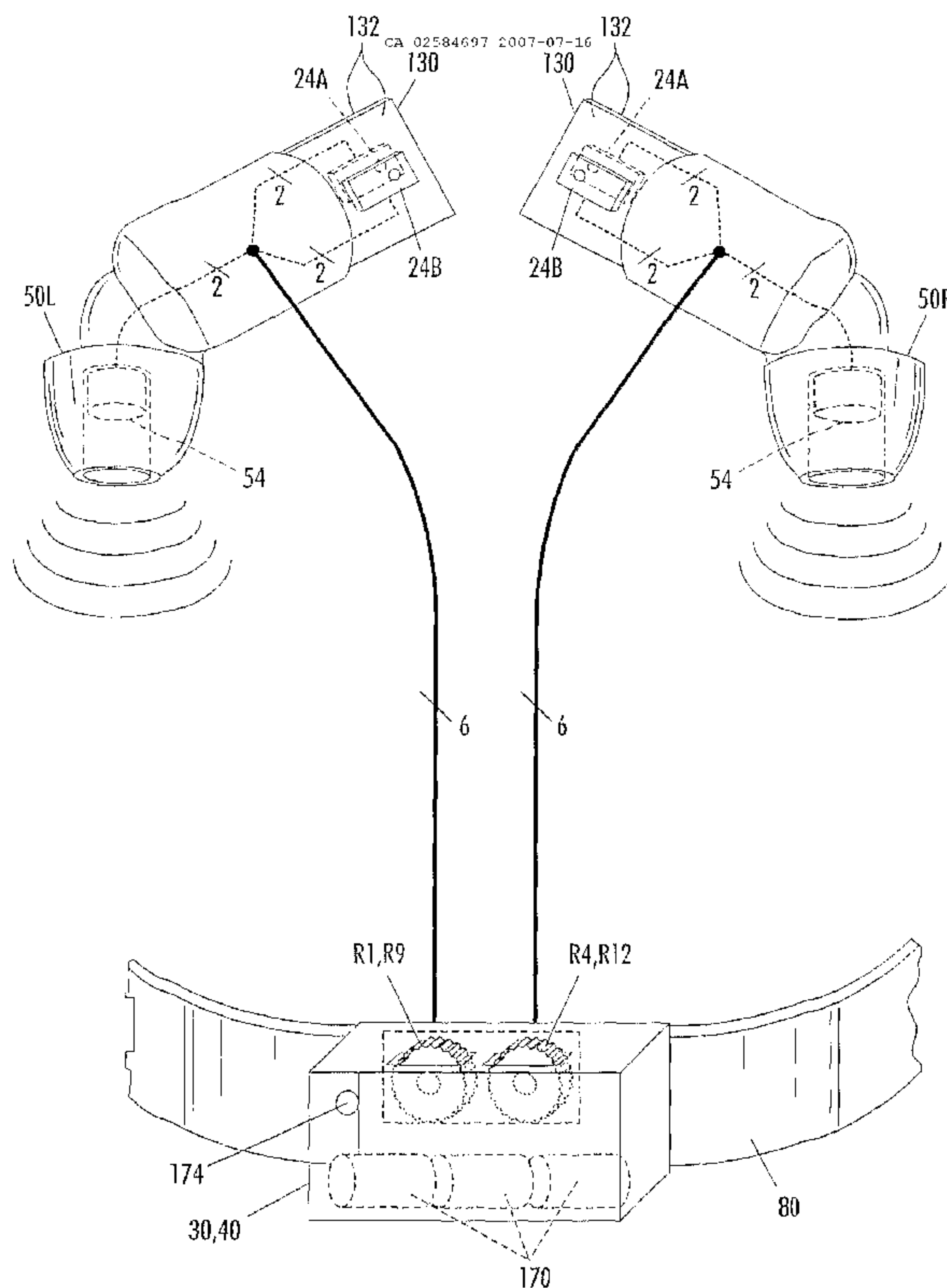




(86) Date de dépôt PCT/PCT Filing Date: 2005/10/21
 (87) Date publication PCT/PCT Publication Date: 2006/05/04
 (85) Entrée phase nationale/National Entry: 2007/04/19
 (86) N° demande PCT/PCT Application No.: US 2005/037697
 (87) N° publication PCT/PCT Publication No.: 2006/047203
 (30) Priorités/Priorities: 2004/10/22 (US60/621,560);
 2005/10/20 (US11/254,448)

(51) Cl.Int./Int.Cl. *H04R 3/00* (2006.01),
H04R 1/02 (2006.01)
 (71) Demandeur/Applicant:
 WERNER, ALAN J. JR., US
 (72) Inventeur/Inventor:
 WERNER, ALAN J. JR., US
 (74) Agent: SIM & MCBURNEY

(54) Titre : PROCEDE ET APPAREIL DE TRAITEMENT D'UN SIGNAL ACOUSTIQUE INTELLIGENT CONFORMEMENT
 A UNE PREFERENCE UTILISATEUR
 (54) Title: METHOD AND APPARATUS FOR INTELLIGENT ACOUSTIC SIGNAL PROCESSING IN ACCORDANCE
 WITH A USER PREFERENCE



(57) Abrégé/Abstract:

The present invention is directed to a "smart earplug" capable of selectively adjusting (fig.1 (30)) the output of an array of acoustic wave generation elements or speakers (54A, 54B) within a user's ear canal in response to input signals (24A, 24B), wherein at least one of the input signals has been at least partially attenuated.

(12) INTERNATIONAL APPLICATION PUBLISHED UNDER THE PATENT COOPERATION TREATY (PCT)

(19) World Intellectual Property Organization
International Bureau(43) International Publication Date
4 May 2006 (04.05.2006)

PCT

(10) International Publication Number
WO 2006/047203 A3

(51) International Patent Classification:

H04R 3/00 (2006.01) H04R 1/02 (2006.01)

(21) International Application Number:

PCT/US2005/037697

(22) International Filing Date: 21 October 2005 (21.10.2005)

(25) Filing Language: English

(26) Publication Language: English

(30) Priority Data:

60/621,560 22 October 2004 (22.10.2004) US
11/254,448 20 October 2005 (20.10.2005) US

(71) Applicant and

(72) Inventor: WERNER, Alan, J., Jr. [US/US]; 810 Highland Avenue, Rochester, NY 14620 (US).

(74) Agents: BASCH, Duane, C. et al.; Basch & Nickerson LLP, 1777 Penfield Road, Penfield, NY 14526 (US).

(81) Designated States (unless otherwise indicated, for every kind of national protection available): AE, AG, AL, AM,

AT, AU, AZ, BA, BB, BG, BR, BW, BY, BZ, CA, CH, CN, CO, CR, CU, CZ, DE, DK, DM, DZ, EC, EE, EG, ES, FI, GB, GD, GE, GH, GM, HR, HU, ID, IL, IN, IS, JP, KE, KG, KM, KP, KR, KZ, LC, LK, LR, LS, LT, LU, LV, LY, MA, MD, MG, MK, MN, MW, MX, MZ, NA, NG, NI, NO, NZ, OM, PG, PH, PL, PT, RO, RU, SC, SD, SE, SG, SK, SL, SM, SY, TJ, TM, TN, TR, TT, TZ, UA, UG, US, UZ, VC, VN, YU, ZA, ZM, ZW.

(84) Designated States (unless otherwise indicated, for every kind of regional protection available): ARIPO (BW, GH, GM, KE, LS, MW, MZ, NA, SD, SL, SZ, TZ, UG, ZM, ZW), Eurasian (AM, AZ, BY, KG, KZ, MD, RU, TJ, TM), European (AT, BE, BG, CH, CY, CZ, DE, DK, EE, ES, FI, FR, GB, GR, HU, IE, IS, IT, LT, LU, LV, MC, NL, PL, PT, RO, SE, SI, SK, TR), OAPI (BF, BJ, CF, CG, CI, CM, GA, GN, GQ, GW, ML, MR, NE, SN, TD, TG).

Published:

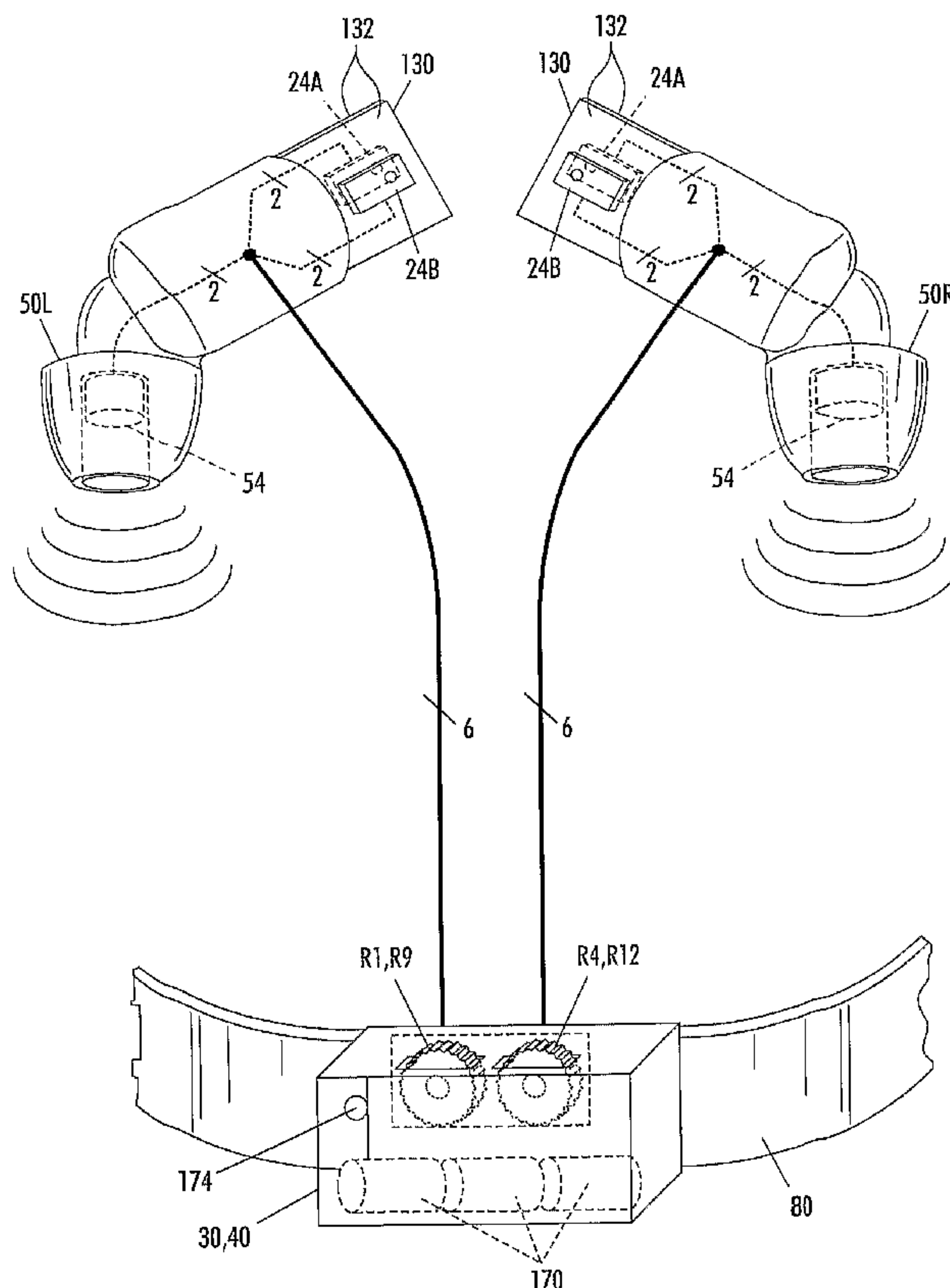
— with international search report

(88) Date of publication of the international search report:

14 December 2006

[Continued on next page]

(54) Title: METHOD AND APPARATUS FOR INTELLIGENT ACOUSTIC SIGNAL PROCESSING IN ACCORDANCE WITH A USER PREFERENCE



(57) Abstract: The present invention is directed to a "smart earplug" capable of selectively adjusting (fig.1 (30)) the output of an array of acoustic wave generation elements or speakers (54A, 54B) within a user's ear canal in response to input signals (24A, 24B), wherein at least one of the input signals has been at least partially attenuated.

WO 2006/047203 A3

WO 2006/047203 A3



For two-letter codes and other abbreviations, refer to the "Guidance Notes on Codes and Abbreviations" appearing at the beginning of each regular issue of the PCT Gazette.

METHOD AND APPARATUS FOR INTELLIGENT ACOUSTIC SIGNAL PROCESSING IN ACCORDANCE WITH A USER PREFERENCE

TECHNICAL FIELD

[0001] The present invention is directed to an acoustic control apparatus and method, and more particularly to a "smart earplug" that is capable of selectively adjusting the output of an array of acoustic wave generation elements in response to input signals, wherein at least one of the input signals has been at least partially attenuated.

BACKGROUND ART

[0002] The following patent is noted: US Patent 6,768,803, to Duhamel, issued July 27, 2004 for a "METHOD AND APPARATUS FOR SELECTIVE ACOUSTIC SIGNAL FILTERING."

[0003] It is well known that noise in the work place can both mask important audio "information" and cause permanent physical damage to the human "hearing" system. For example, in the heavy construction industry, the wearing of sound blocking "ear muffs" is a common solution. The problem also exists in the performing arts arena, particularly in the "loud" jazz and heavy rock music communities. The normal solution is to use earplugs, which are small, rubbery or foam devices that are inserted into the ear channel to "block" the sound. However, such devices tend to block out or attenuate all of the acoustic signals, thereby reducing or eliminating certain signals to a level where they cannot be heard or appreciated by the listener.

[0004] A similar problem exists in the classical music industry as Steve J. Sherman suggests in an article in the New York Times. However, this problem has not been addressed due to the inherent limitations of conventional hearing aids or ear plugs, including lack of control as to the amount of attenuation desired by a listener, as well as a control over the directionality of the attenuation. In other words, performers may wish to more heavily attenuate the percussion or brass section behind them, but to keep the woodwinds to the side or strings in front of them at a higher or non-attenuated level. In any live musical performance, it is critical to "hear" exactly what is going on around you. This may be for better balance, a matching of tonal quality, a "clue" as to when to play, etc. Not only is this "audio information" important, but so is the location or direction from which it is coming.

DISCLOSURE OF THE INVENTION

[0005] As mentioned above, the problem with the conventional ear muff and ear plug approaches is that not only is the quality of the sound changed, but that any directionality is lost.

not), that provides true acoustic rendition of the sound, wherein the amplitude or similar signal characteristics of the acoustic signal may be controlled on a directional basis.

[0006] The advent of micro-electronics provides new options for the sensing and delivery of acoustic information or signals. Micro-electronics makes physically small circuitry and electro-mechanical systems possible. In accordance with one aspect of the present invention, there is provided an array of very small micro-electromechanical systems (MEMS) microphones to detect the acoustic waves or vibrations coming from a plurality of directions (e.g., front/rear, left/right side, above, below, etc.). Having received the various signals from the array of MEMS microphones, with their inherent directionality; a similar array of MEMS speakers or "audio transducers", could be used to generate the output (perhaps conditioned to attenuate the signal from certain directions more than other directions). Thus, the system would provide a user with all of the audio information, but with selective attenuation based upon directionality of the acoustic source – providing the impression of being from the same direction with the same audio information but at a user adjusted reduced sound level.

[0007] In accordance with the present invention, there is provided an acoustic filtering apparatus, comprising: an input sensor for receiving an input acoustic signal to be processed, said input sensor including a microphone or a microphone array, said microphone or microphone array manifesting vibration in response to interaction with the input acoustic signal to generate an input signal or a plurality of input signals, each representing an acoustic input from one of a plurality of directions relative to said input sensor; a signal processing device for producing, in response to the input signals, at least one output signal, said signal processing device characterized by a uniform frequency response such that the output acoustic signal spectrum level is generally reflective of an input acoustic signal spectrum level; and an acoustic output port for releasing the output acoustic signal produced by said acoustic signal processing device.

[0008] In accordance with another aspect of the invention, there is provided an acoustic signal processing system for processing acoustic signals in accordance with a user preference, comprising: at least one microphone array, said microphone array generating a plurality of input signals in response to acoustic vibrations, each input signal representing an acoustic input from one of a plurality of directions relative to said microphone array; a signal processing device for producing, in response to the plurality of input signals, at least one output signal, said signal processing device characterized by a uniform frequency response such that an output acoustic signal spectrum level is generally reflective of an input acoustic signal spectrum level; and at least one speaker for generating the output acoustic signal in response to the output signal from said signal processing device.

[0009] In accordance with a further aspect of the invention, there is provided a method for controlling the sound perceived by a user, comprising: receiving, using a micro-electronic microphone array, an input acoustic signal and generating a plurality of input signals representing the acoustic input from each of a plurality of directions relative to the array; processing the input signals to produce at least one output signal such that the output signal spectrum level is generally reflective of an input acoustic signal spectrum level; and generating, by an output speaker responsive to the at least one output signal an acoustic signal directly in the canal of a user's ear.

[0010] The techniques described herein are advantageous because they provide a reduced-size method of controlling the audio or acoustic input received by a user, thereby enabling a user to function in an acoustically unfriendly environment without the complete loss or exclusion of acoustic information. The techniques of the invention are advantageous because they provide a range of alternatives, each of which is useful in appropriate situations. As a result of the invention, it is anticipated that musicians, construction workers and the like may find improved on-the-job experience and reduced hearing loss due to loud noises.

BRIEF DESCRIPTION OF THE DRAWINGS

[0011] Figure 1 is an exemplary assembly-type illustration of an embodiment of the present invention;

[0012] Figure 2 is an illustrative example of the invention, wherein user controls are worn on a necklace by a musician;

[0013] Figure 3 is an alternative example of the invention, wherein the user controls are located on a belt for attachment to a user; and

[0014] Figure 4 is an illustration of a circuit that may be employed to process the acoustic signals in accordance with an aspect of the invention.

[0015] The present invention will be described in connection with a preferred embodiment, however, it will be understood that there is no intent to limit the invention to the embodiment described. On the contrary, the intent is to cover all alternatives, modifications, and equivalents as may be included within the spirit and scope of the invention as defined by the appended claims.

BEST MODE FOR CARRYING OUT THE INVENTION

[0016] For a general understanding of the present invention, reference is made to the drawings. In the drawings, like reference numerals have been used throughout to designate identical elements.

[0017] Referring to FIG. 1, depicted therein is an exemplary embodiment of the present invention for an acoustic filtering apparatus suitable for use by a classical musician or the like.

In one embodiment, the apparatus comprises an input sensor **20** for receiving an input acoustic signal to be processed. Sensor **20** includes an array of directionally oriented microphones **24A**, **24B** for sensing sound from locations **A** and **B**, respectively. As depicted in the figure, microphones **24A** and **24B** might be employed to sense the directionality of acoustic vibrations coming say from front (**A**) and rear (**B**) positions relative to the user's ear **18**. It will be appreciated that the input sensor such as microphone array **20** will serve to manifest the acoustic vibration and thereby generate a plurality of input signals (at least **A** and **B**), each representing an acoustic input from one of a plurality of directions relative to said sensor **20**.

[0018] Although not depicted, it will be appreciated that various configurations for sensor **20** may be employed, including additional microphones **24**. It will also be appreciated that the directionality of the various microphones in the array may be enhanced through the use of baffles or similar means for isolating or separating the microphones in the array. Although described relative to a microphone array, the present invention may be produced with only a single microphone operating for each ear of the user, so that the term microphone array may include one or more microphones. The same would be true, of course, for speakers employed in each ear of the user – where one or more speakers may be used in each ear.

[0019] In one embodiment, the microphones **24** are preferably micro-electronic or MEMS-type devices suitable for attaching to or embedding within a small device such as an earplug. It is also contemplated that MEMS and/or piezoelectric materials may be employed in the microphone or speaker elements of the present invention. Although described relative to a user-wearable device, it will be appreciated that various aspects of the present invention may be employed in a larger-scale version of the invention, and accordingly, such scale is not an inherent limitation of the present invention.

[0020] Referring next to FIG. 2, it will be appreciated that various embodiments of the present invention may be employed to attach the system, depending upon the user's needs. As depicted in the figure, musician **16** would have one or more components of the present invention inserted into her ear(s), and would wear a necklace or strap **70** upon which the control and processing module (**30. 40**) would be attached as a pendant. Alternatively, recognizing that in many cases a necklace/pendant combination would not be desirable, the embodiment of FIG. 3 depicts a belt or strap **80**, to which the module is attached to permit the user to wear the system around his/her arm, waist, etc. It will also be appreciated that various components of the described system may be incorporated into or on clothing or other garments (e.g., pockets, vests, caps, hats) and the like to permit ease of use.

[0021] Although the present disclosure is directed toward an embodiment wherein the acoustical signal processing apparatus is used by musicians, it is also contemplated that such devices may be used in other applications, particularly those where the user wants or needs to

have control over not only the direction of sound that is partially attenuated, but possibly over the frequency range of sound as well. For example, the present invention is contemplated for use by persons having learning disabilities, where the person is highly sensitive to sound or certain frequencies, whereby the person could employ the present invention to reduce background noise to permit the person to study or perform in an uninterrupted fashion.

[0022] As illustrated in FIG. 1, each of the microphones or similar acoustic sensing means **24A, B** generate an output signal that is transferred or transmitted via wires or traces on a circuit board to a signal processing device **30**. The signal processing device produces, in response to the input audio signals, at least one output signal. The present invention contemplates, as described in detail below, that the signal processor may operate in response to user selections, adjustments or preferences, whereby the output signals will be adjusted in accordance with the user's preferences. In one embodiment, the signal processing device provides a uniform frequency response such that the output acoustic signal spectrum level is generally reflective of an input acoustic signal spectrum level, while maintaining the directionality thereof.

[0023] The signal processing device may comprise a simple set of potentiometers as used in conventional hearing aids to adjust volume levels, a suitable amplifier such as an operational amplifier capable of driving the output speakers, headset, or "ear buds" along with suitable resistors and capacitors commonly used in conventional circuit designs well known to those skilled in the art of analog circuit design. Further details of an exemplary design will be described below relative to FIG. 4. The device would preferably be responsive to acoustic signals over a full frequency range of about 20 Hz to 20 KHz; albeit a reduced range of 50 Hz to 15 KHz may prove to be acceptable. In one embodiment, various component manufacturers may supply suitable microphone and/or ear buds; for example, Knowles Acoustics, a division of Knowles Electronics LLC has an extensive selection of such microphones (SiSonic, e.g., Model SP0103) and speaker elements. It is also important to note that the signal processing device should be suitable for interfacing with MEMS-type devices (microphones and/or speakers), and should include driver circuitry suitable for conditioning the signals to/from such devices.

[0024] Referring again to Figure 1, an acoustic output port **50** is provided in the form of an array of speakers **54A, B**, or similar elements, for releasing the output acoustic signal produced by the signal processing device **30**. In particular, the present invention contemplates the use of a prototype earphone using CMOS-MEMS micromachining techniques that is audible from 1 to 15 kHz and was produced by John J. Neumann, Jr. and Kaigham J. Gabriel at Carnegie Mellon University. Other possibilities are miniature speaker assemblies such as the Knowles balanced armature speakers and "ear buds" such as the Shure E-series earphones. In one embodiment, the invention includes a conformable and/or molded portion that is inserted into the user's ear canal. The conformable or molded material occludes the canal of the user's

ear and thereby substantially prevents the user's perception of the ambient sound except what has been processed and output by the speaker or output port **50**.

[0025] Having described the basic configuration of an embodiment of the present invention, attention is now turned to additional features that may be incorporated with or in the "smart ear plug" device. More specifically, the user controls **40** are intended to provide adjustment capability for the present invention. In one embodiment, the signal processing device processes the input signals in a manner so that the output acoustic signal includes an attenuated signal from at least one of the plurality of directions. To control the level of attenuation and the direction, it is contemplated that a balance/fader or similar signal direction adjustment may be employed in combination with a volume or attenuation control. For example, such a device may be employed to reduce the volume (higher signal attenuation) of the trombones located behind the user (e.g., position **B**), while not reducing the volume of signals from the balance of the orchestra in front of the user (e.g., position **A**).

[0026] As noted above, the output port **50** preferably comprises an array of miniature (e.g., MEMS) speakers, each of which receives and is responsive to one of a plurality of output signals generated by the signal processor **30**.

[0027] Although depicted in a larger configuration in Figure 1, for purposes of illustration, the present invention ideally fits near or inside the ear channel **19** in much the same way current "ear plugs" do. Alternately, the maximum size would be that of current miniature commercial hearing aids or similar devices, and may include one or more directional microphones that are spaced apart from the processor and speaker array. One goal is that such devices remain essentially invisible to an audience, as well as have minimal effect on the comfort of the user.

[0028] Having generally described an embodiment of the invention, and various applications thereof, attention is now turned to FIGS. 3 and 4 where an alternative and more detailed description of an embodiment of the invention is provided. Here again, the figures depict an acoustic signal processing system for processing acoustic signals in accordance with a user's preference. On each ear bud **50L** and **50R** (L and R indicating left and right sides, respectively), there is positioned at least one microphone array **24A**, **24B**. As will be appreciated, each microphone or microphone array generates a plurality of input signals in response to acoustic vibrations received by the microphone. Each input signal represents an acoustic input from one of a plurality of directions relative to said microphone array.

[0029] More specifically, the array **24A-B** in a user's left ear would sense acoustic energy (e.g., sound, noise) perceptible from the user's left side. In one embodiment, microphone **24A-B** is a micro-electromechanical system as described above. Moreover, the ear bud **50L** may be oriented so that the microphones **24A** and **24B** are, respectively, oriented toward the front and

rear. The system depicted in FIG. 3 further includes, on the ear bud, a baffle **130**, wherein the baffle separates the first (**24A**) and second (**24B**) microphones of the microphone array. It will be further appreciated that the baffle may be made from a resilient material, albeit one that preferably does not transfer acoustic energy to better assure the independent operation of each of the microphones. Moreover, the baffle **130** may be integrated with, or comprise, the circuit board upon which the components described below may be mounted, possibly including connections made through RTV silicone rubber or similar edge connection means. Although not specifically depicted, one or more surfaces **132** of the baffle **130** may be parabolic in shape to focus or direct the acoustic energy from at least one direction toward the microphone. It should also be appreciated that although shown with two microphones on each side, the present invention is not to be so limited, and may include three or more microphones in an array on each ear bud in order to improve the user's sense of directionality.

[0030] Also contained in each ear bud (**50L**, **50R**) is amplification and drive circuitry associated with the microphones (see FIG. 4), as well as at least one speaker **54**. The speaker **54** operates to generate an output acoustic signal in response to an output signal from the signal processing device **30**, which will now be described in more detail relative to FIG. 4. As depicted in FIG. 4, the signal processing circuitry **30** and user controls **40** operate to process the inputs of microphones **24A**, **24B** (left and right) to produce output signals for speakers **54**. The schematic diagram of FIG. 4 illustrates parallel channels (left and right), both of which utilize an operational amplifier (op-amp) **150**. Power is supplied from a plurality of batteries **170** (Fig. 3), and input voltage protection is provided by a diode **174**, which not only serves the purpose of a protection diode, but also provides an indication of the operation of the system.

[0031] Batteries **170** may be of various types, and the present invention further contemplates the use of a rechargeable battery array, where the power provided to operate the system is supplied from Nickel based or Lithium-Ion type battery(ies). In such an embodiment, the system includes one or more commercially available components such as integrated circuits that may be incorporated to facilitate the continued use of the system without having to replace batteries (e.g., battery charging components available from Linear Technology, Inc. of Milpitas, CA). It will be appreciated that such devices, and applications thereof, are commonly known for cellular telephones, personal digital assistants, laptop computers and various other electronic devices and games.

[0032] The following table includes a listing of the various components depicted in FIG. 4, and exemplary values for the various components.

<u>Component</u>	<u>Specification</u>
R1, R9	10K- Ω variable potentiometer A (dual)

R2, R10	100K- Ω resistor
R3, R11	100K- Ω resistor
R4, R12	10K- Ω variable potentiometer B (dual)
R5, R13	520K – 1M- Ω resistor
R6, R14	520K – 1M- Ω resistor
R7, R15	520K – 1M- Ω resistor
R8, R16	100K- Ω resistor
Op-Amp (150)	LT1678 - Dual/Quad Low Noise, Rail-to-Rail, Precision Op Amp
C1, C4	10 μ f capacitor
C2, C5	10 μ f capacitor
C3, C6	47 μ f capacitor
C7, C8	10 μ f capacitor

[0033] The signal processing device **30** operates to produce, in response to the plurality of input signals from the microphones **24**, at least one output signal, preferably one output signal on each channel (left and right) - although a single-channel system may be employed for cost reasons in limited-capability applications. The signal processing device is characterized by a uniform frequency response such that an output acoustic signal spectrum level is generally reflective of an input acoustic signal spectrum level. It is a further characteristic of the signal processing device **30** that it operates to generate the output acoustic signal with at least a partially attenuated signal from at least one of the plurality of directions (e.g. front, rear). It will be appreciated that the characteristics of the components used may further be used to select or control the amount of attenuation achieved by the system. More importantly, the dual potentiometers **R1/R9** and **R2/R10** (linked for front and rear in the circuit of FIG. 4) cause the signal processing device **30** to operate to attenuate the output signal in response to a user adjustable control. As will be appreciated, the output signals (left and right) are directed to a plurality of speakers **54L** and **54R**, where each of the speakers receive and are responsive to one of the plurality of output signals.

[0034] In recapitulation, the present invention is a method and apparatus for controlling a user's auditory input using a smart earplug. It is, therefore, apparent that there has been provided, in accordance with the present invention, a method and apparatus for acoustic control. While this invention has been described in conjunction with preferred embodiments thereof, it is evident that many alternatives, modifications, and variations will be apparent to

those skilled in the art. Accordingly, it is intended to embrace all such alternatives, modifications and variations that fall within the spirit and broad scope of the appended claims.

[0035] The claims, as originally presented and as they may be amended, encompass variations, alternatives, modifications, improvements, equivalents, and substantial equivalents of the embodiments and teachings disclosed herein, including those that are presently unforeseen or unappreciated, and that, for example, may arise from applicants/patentees and others.

CLAIMS:

1. An acoustic control apparatus, comprising:
 - an input sensor for receiving an input acoustic signal to be processed, said input sensor including a microphone array, said microphone array manifesting vibration in response to interaction with the input acoustic signal to generate a plurality of input signals, each representing an acoustic input from one of a plurality of directions relative to said input sensor;
 - a signal processing device for producing, in response to the input signals, at least one output signal, said signal processing device characterized by a uniform frequency response such that the output acoustic signal spectrum level is generally reflective of an input acoustic signal spectrum level; and
 - an acoustic output port for generating the output acoustic signal produced by said acoustic signal processing device.
2. The apparatus of claim 1, wherein said signal processing device processes the input signals in a manner so that the output acoustic signal includes an attenuated signal from at least one of the plurality of directions.
3. The apparatus of claim 1, wherein said signal processing devices produces a plurality of output signals and where said output port include an array of miniature speakers, each of which receives and is responsive to one of the plurality of output signals.
4. The apparatus of claim 1, wherein said signal processing device operates to attenuate at least one output signal in response to a signal from an adjustable control.
5. The apparatus of claim 1, wherein said input sensor includes a micro-electromechanical microphone.
6. An acoustic signal processing system for processing acoustic signals in accordance with a user preference, comprising:
 - at least one microphone array, said microphone array generating a plurality of input signals in response to acoustic vibrations, each input signal representing an acoustic input from one of a plurality of directions relative to said microphone array;
 - a signal processing device for producing, in response to the plurality of input signals, at least one output signal, said signal processing device characterized by a uniform frequency response such that an output acoustic signal spectrum level is generally reflective of an input acoustic signal spectrum level; and
 - at least one speaker for generating the output acoustic signal in response to the output signal from said signal processing device.
7. The system of claim 6, wherein said signal processing device operates to generate the output acoustic signal that includes at least a partially attenuated signal from at least one of the plurality of directions.

8. The system of claim 7, wherein said signal processing device operates to attenuate the signal in response to a user adjustable control.

9. The system of claim 6, including a plurality of speakers wherein said signal processing device produces a plurality of output signals and where each of said speakers receive and are responsive to one of the plurality of output signals.

10. The system of claim 6, wherein said microphone array and said speaker are co-located in an ear bud suitable for placement in proximity to a user's ear.

11. The system of claim 10, wherein the ear bud includes a baffle extending therefrom, wherein the baffle separates a first microphone from a second microphone of the microphone array.

12. The system of claim 11, wherein at least one surface of the baffle is parabolic in shape to focus the acoustic energy from at least one direction on the microphone.

13. The system of claim 6, wherein the microphone is a micro-electromechanical system.

14. A method for controlling the sound perceived by a user, comprising:
receiving, using a micro-electronic microphone array, an input acoustic signal and generating a plurality of input signals representing the acoustic input from each of a plurality of directions relative to the array;

processing the input signals to produce at least one output signal such that the output signal spectrum level is generally reflective of an input acoustic signal spectrum level; and

generating, by an output speaker responsive to the at least one output signal an acoustic signal directly in the canal of a user's ear.

15. The method of claim 14, further including occluding the canal of the user's ear to substantially prevent the perception of the ambient sound except that which is provided by the output speaker.

16. The method of claim 14, wherein the output signal is adjustable to include a partially attenuated input from at least one of the plurality of directions.

1/4

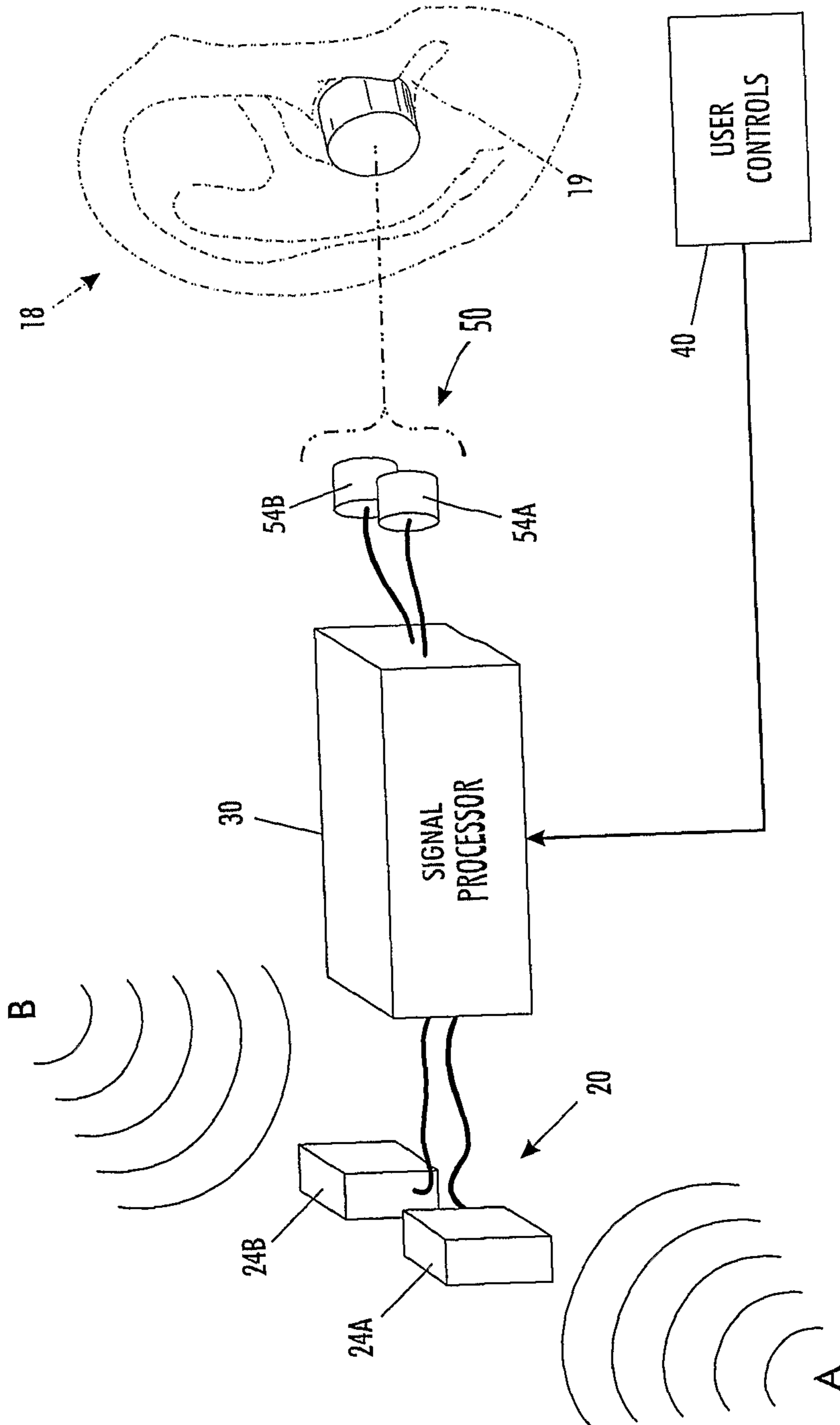


FIG. 7

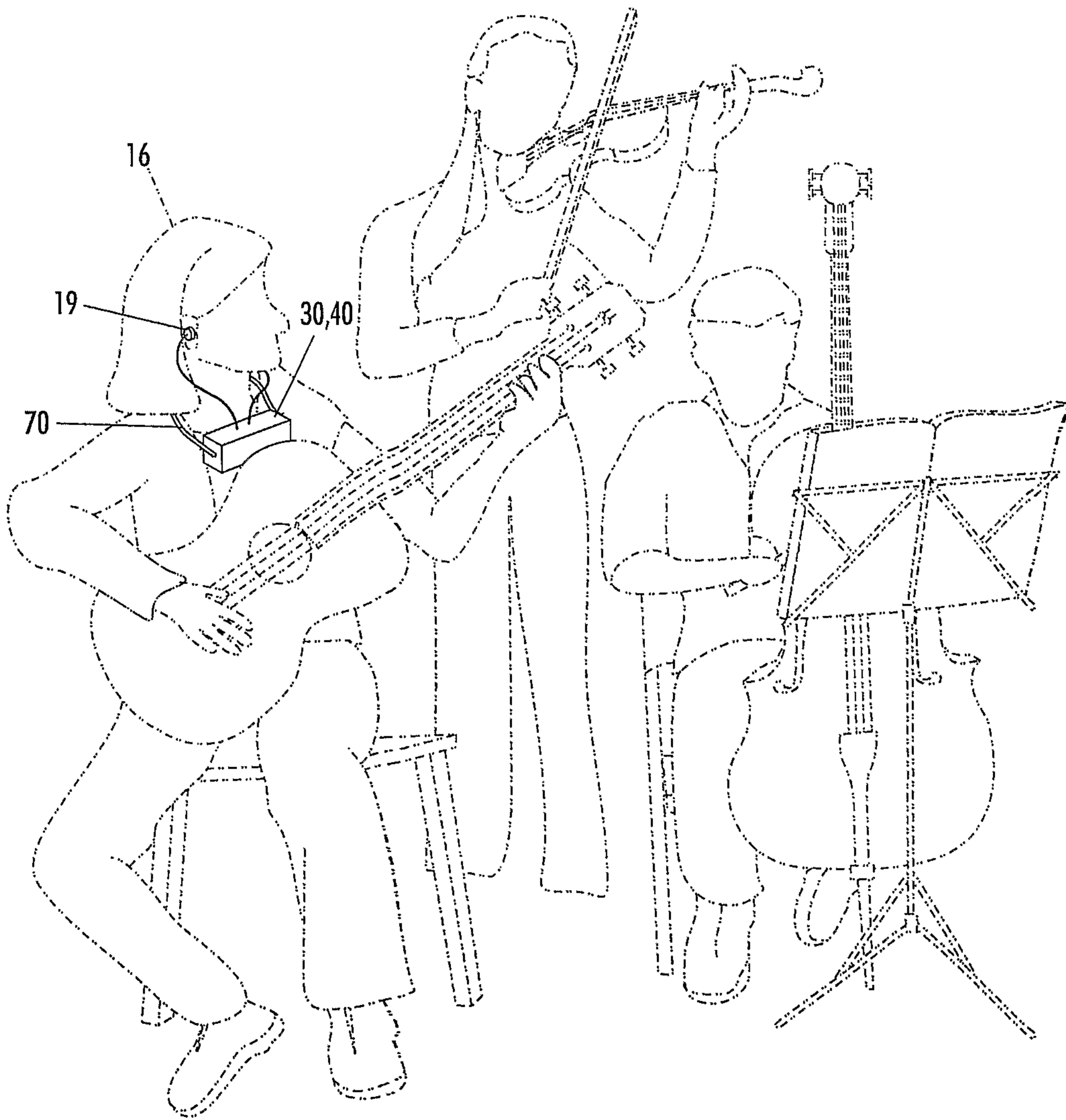


FIG. 2

3/4

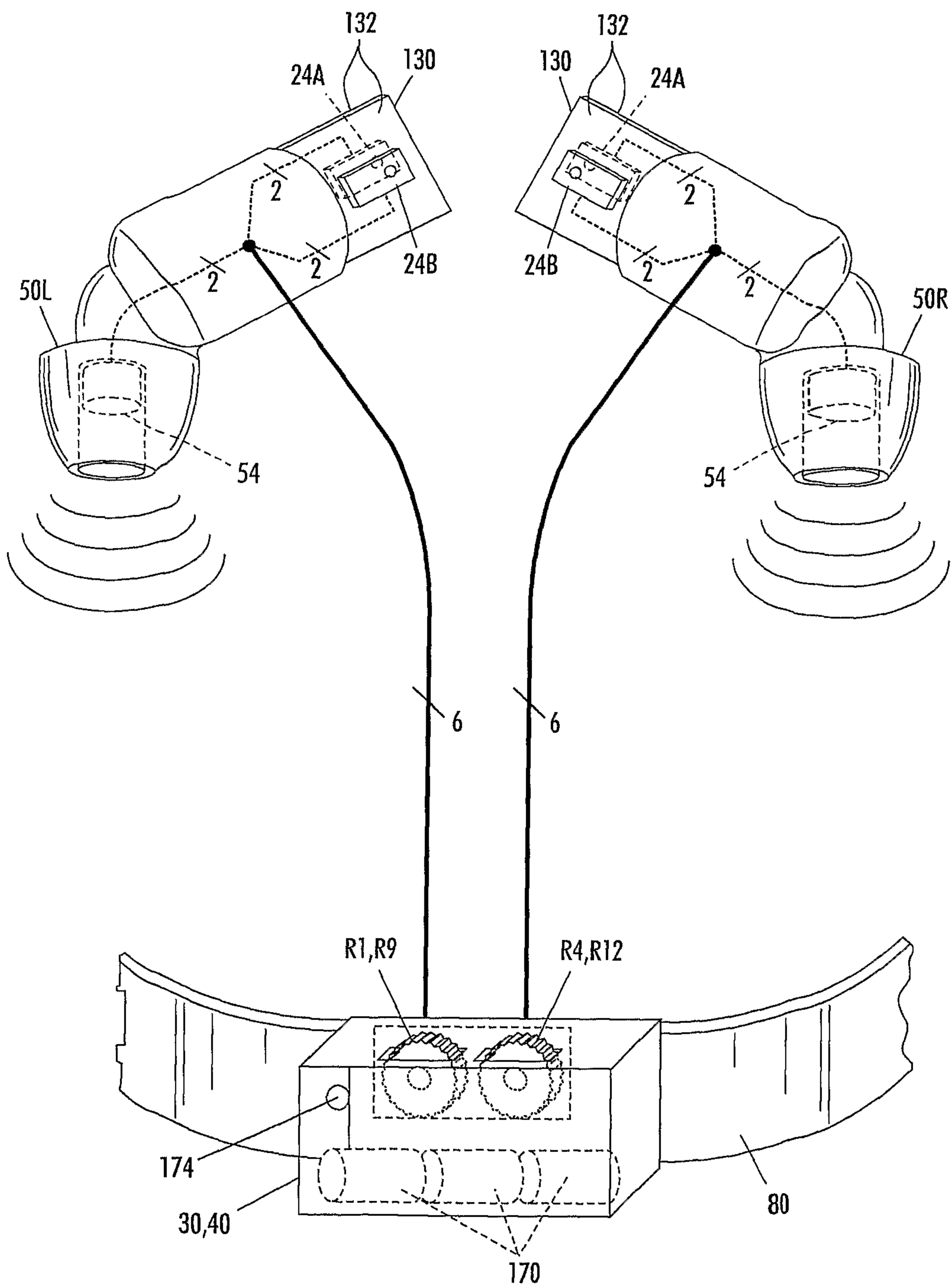


FIG. 3

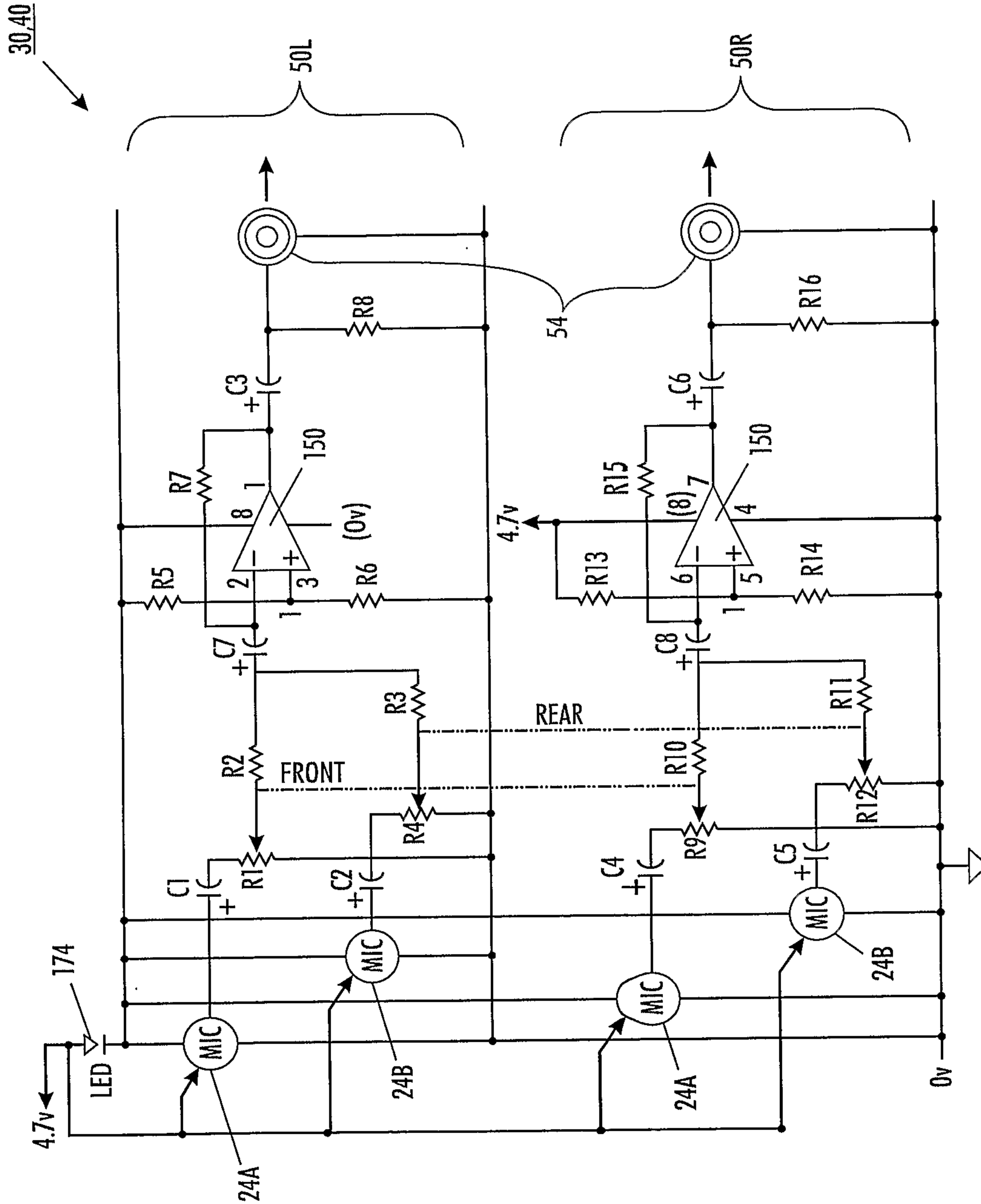


FIG. 4

